



US00D952453S

(12) **United States Design Patent** (10) **Patent No.:** **US D952,453 S**  
**Lin** (45) **Date of Patent:** **\*\* May 24, 2022**

(54) **CONNECTING SLEEVE FOR HEIGHT ADJUSTABLE TABLE**

(71) Applicant: **Dongguan Shichang Metals Factory Ltd., DongGuan (CN)**

(72) Inventor: **Chenkang Lin, DongGuan (CN)**

(73) Assignee: **Dongguan Shichang Metals Factory Ltd., DongGuan (CN)**

(\*\*) Term: **15 Years**

(21) Appl. No.: **29/728,021**

(22) Filed: **Mar. 16, 2020**

(51) **LOC (13) Cl.** ..... **08-08**

(52) **U.S. Cl.**  
USPC ..... **D8/396; D8/354**

(58) **Field of Classification Search**  
USPC ..... D6/382, 716.7; D8/349-399; D10/65; D13/184  
CPC ..... A47B 13/08; A47B 9/10; A47B 9/20  
See application file for complete search history.

(56) **References Cited**

**U.S. PATENT DOCUMENTS**

D209,273	S	*	11/1967	Steinwedel	.....	D8/374
4,385,447	A	*	5/1983	Bennett	.....	G01B 3/34
						33/555.1
5,138,867	A	*	8/1992	Nish	.....	G01F 25/20
						73/1.74
D342,838	S	*	1/1994	Peterson	.....	D6/382
D350,447	S	*	9/1994	Zinnbauer	.....	D6/716.7
D430,482	S	*	9/2000	Stout, Jr.	.....	D23/262
6,378,242	B1	*	4/2002	Roberts	.....	A01M 29/34
						43/109
6,735,901	B1	*	5/2004	Bellehumeur	.....	A01M 29/12
						43/109
D591,145	S	*	4/2009	Kosunen	.....	D8/396
D741,700	S	*	10/2015	Mock	.....	F16D 1/0864
						D8/396

D780,558	S	*	3/2017	Mouthaan	.....	D8/354
D808,248	S	*	1/2018	Krombein	.....	D8/354
10,512,334	B1	*	12/2019	Koh	.....	A47C 3/30
10,702,058	B1	*	7/2020	Wang	.....	A47B 9/20
D897,828	S	*	10/2020	Lin	.....	D8/396
11,039,683	B2	*	6/2021	Lin	.....	A47B 9/10
D924,824	S	*	7/2021	Kouzuma	.....	D13/184
D935,910	S	*	11/2021	Turk	.....	D10/65

(Continued)

**OTHER PUBLICATIONS**

Stack-It, available in Amazon.ca, date first available Nov. 2, 2018 [online], Retrieved on Jan. 27, 2022 from URL: <https://www.amazon.ca/Slipstick-CB657-Stack-Its-Adjustable-Furniture/dp/B07K1ZDXD1/> (Year: 2018).\*

(Continued)

*Primary Examiner* — Vy N Koenig

*Assistant Examiner* — Michelle M Reeves

(74) *Attorney, Agent, or Firm* — Luedeka Neely Group, P.C.

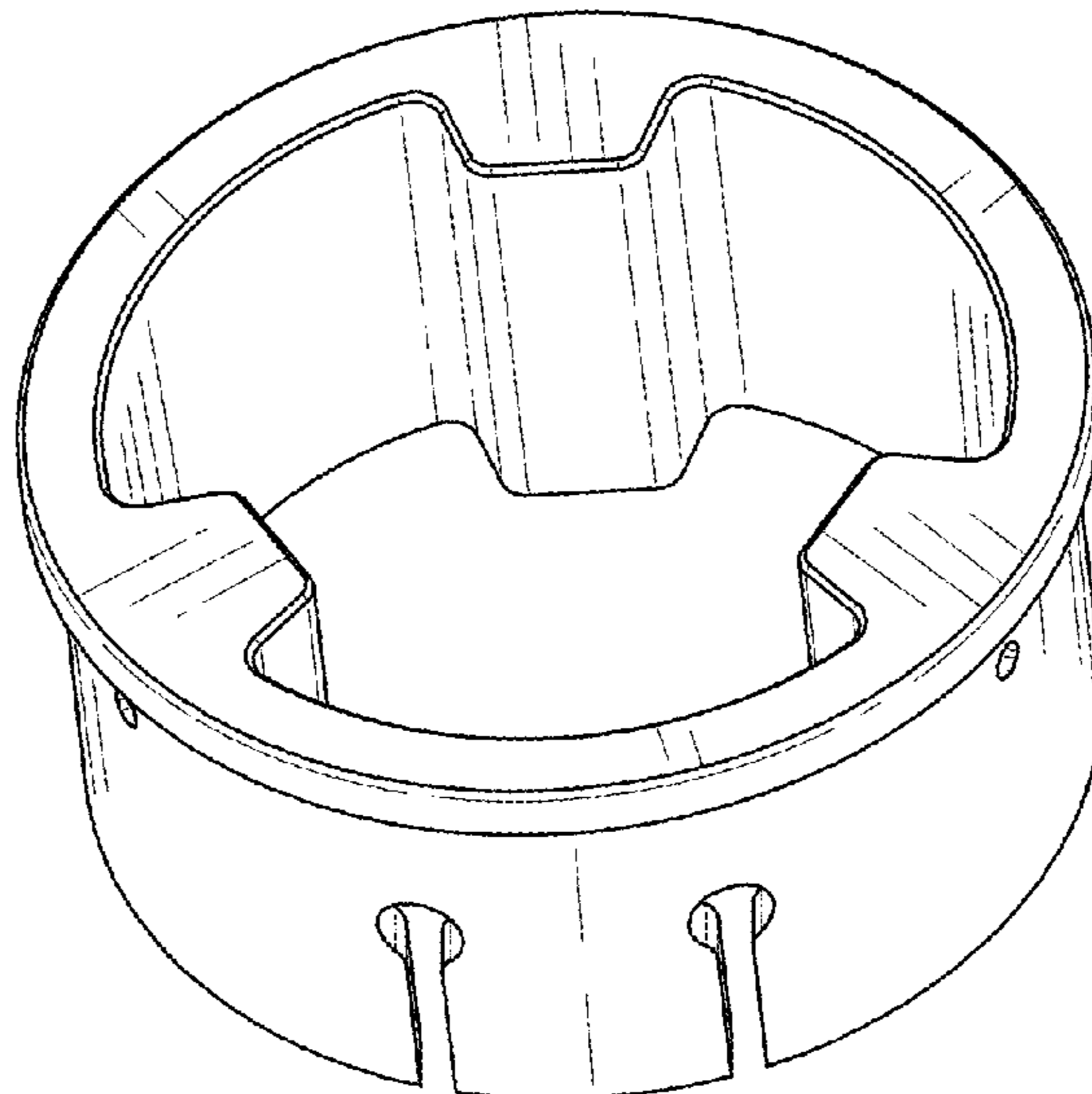
(57) **CLAIM**

The design for a connecting sleeve for a height adjustable table, as shown and described.

**DESCRIPTION**

FIG. 1 is a front view of a connecting sleeve for a height adjustable table showing my new design; FIG. 2 is a rear view thereof; FIG. 3 is a left side view thereof; FIG. 4 is a right side view thereof; FIG. 5 is a top view thereof; FIG. 6 is a bottom view thereof; FIG. 7 is a top perspective view thereof; and, FIG. 8 is a bottom perspective view thereof. The broken lines in the drawings are included for the purpose of illustrating unclaimed features and form no part of the claimed design.

**1 Claim, 8 Drawing Sheets**



(56)

**References Cited**

U.S. PATENT DOCUMENTS

2014/0241789 A1\* 8/2014 Chiu ..... F16B 7/1454  
403/109.1  
2020/0305595 A1\* 10/2020 Lin ..... A47B 3/00  
2021/0068531 A1\* 3/2021 Tao ..... A47B 27/02

OTHER PUBLICATIONS

Flange Coupling Connector, available in Amazon.ca, date first available Dec. 30, 2019 [online], Retrieved on Jan. 27, 2022 from URL: <https://www.amazon.ca/Coupling-Connector-Coupler-Accessory-Fittings/dp/B08335MYGW/> (Year: 2019).\*

\* cited by examiner

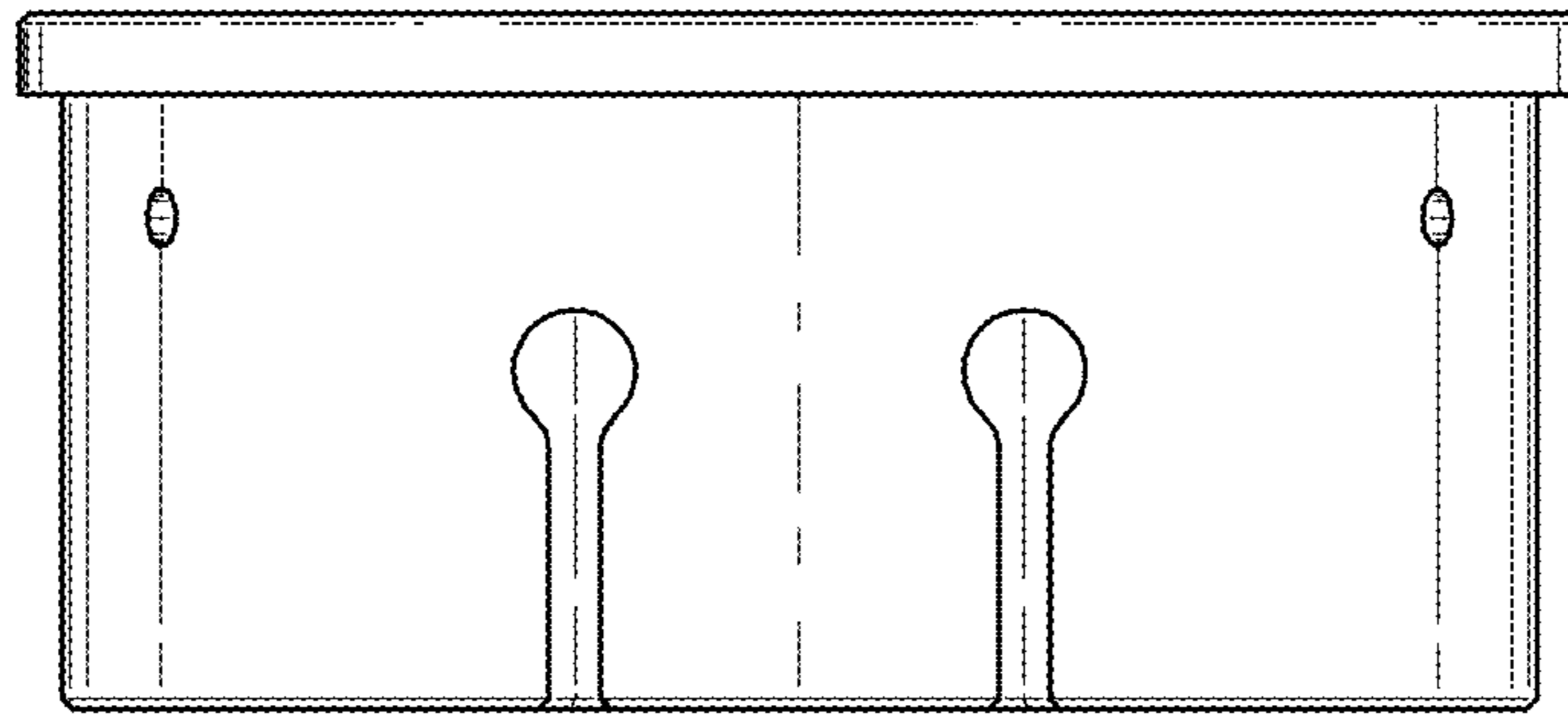


FIG. 1

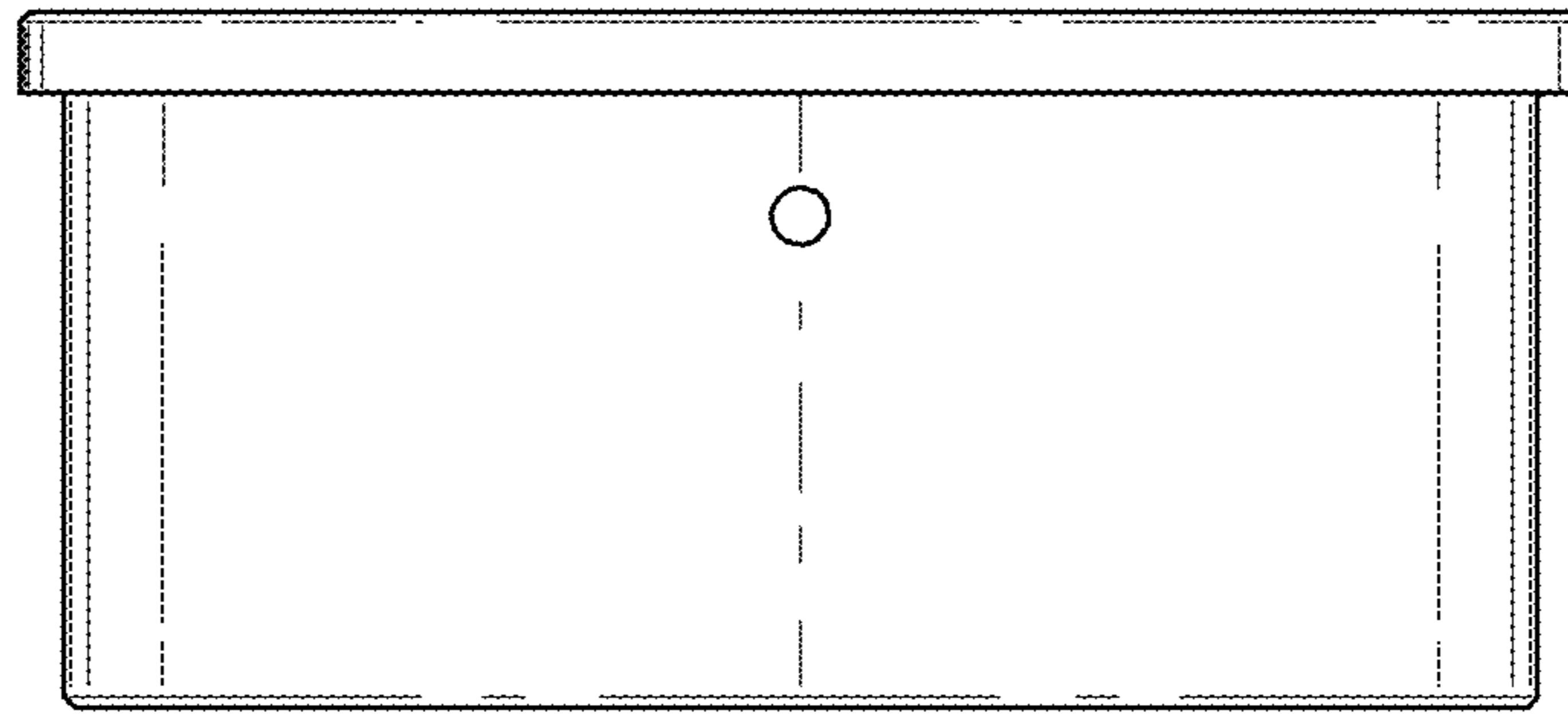


FIG. 2

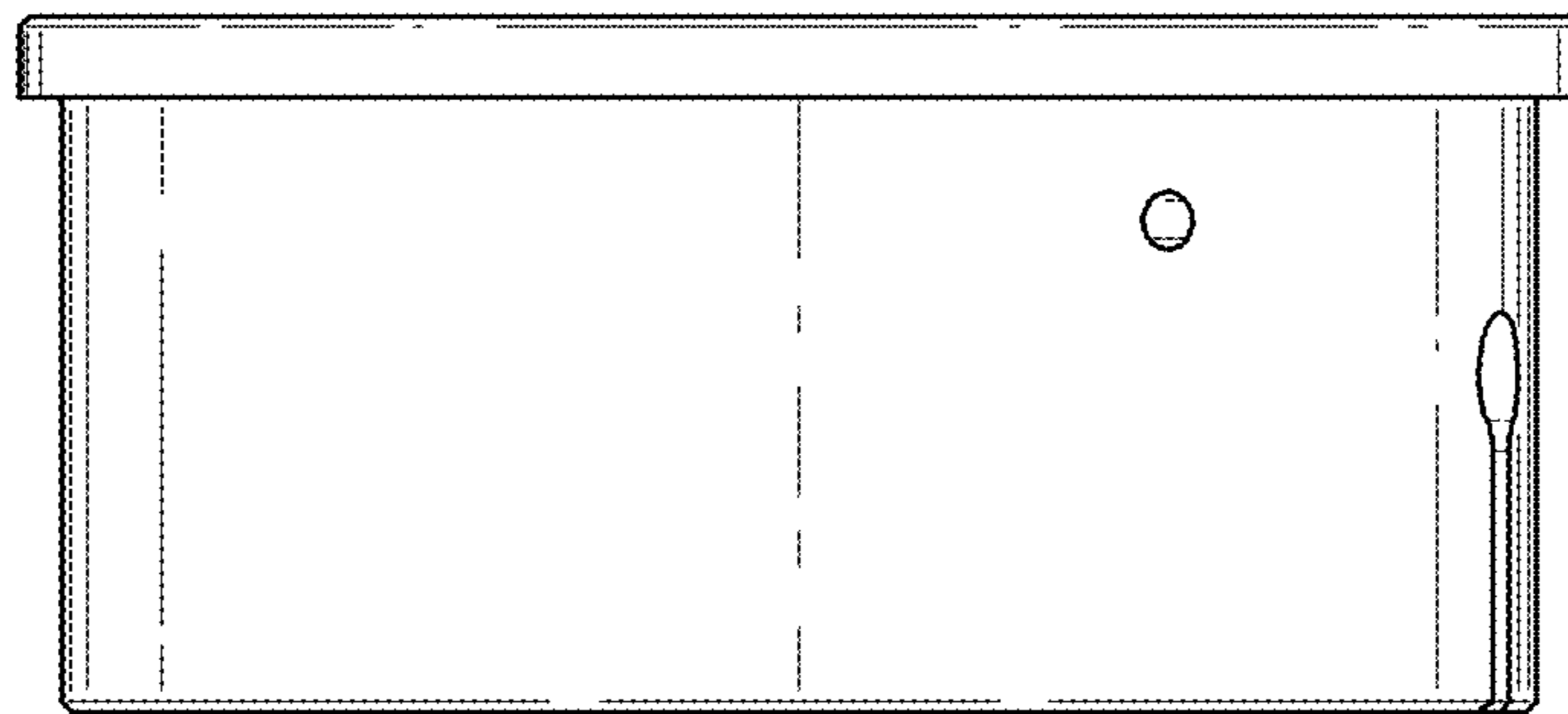


FIG. 3

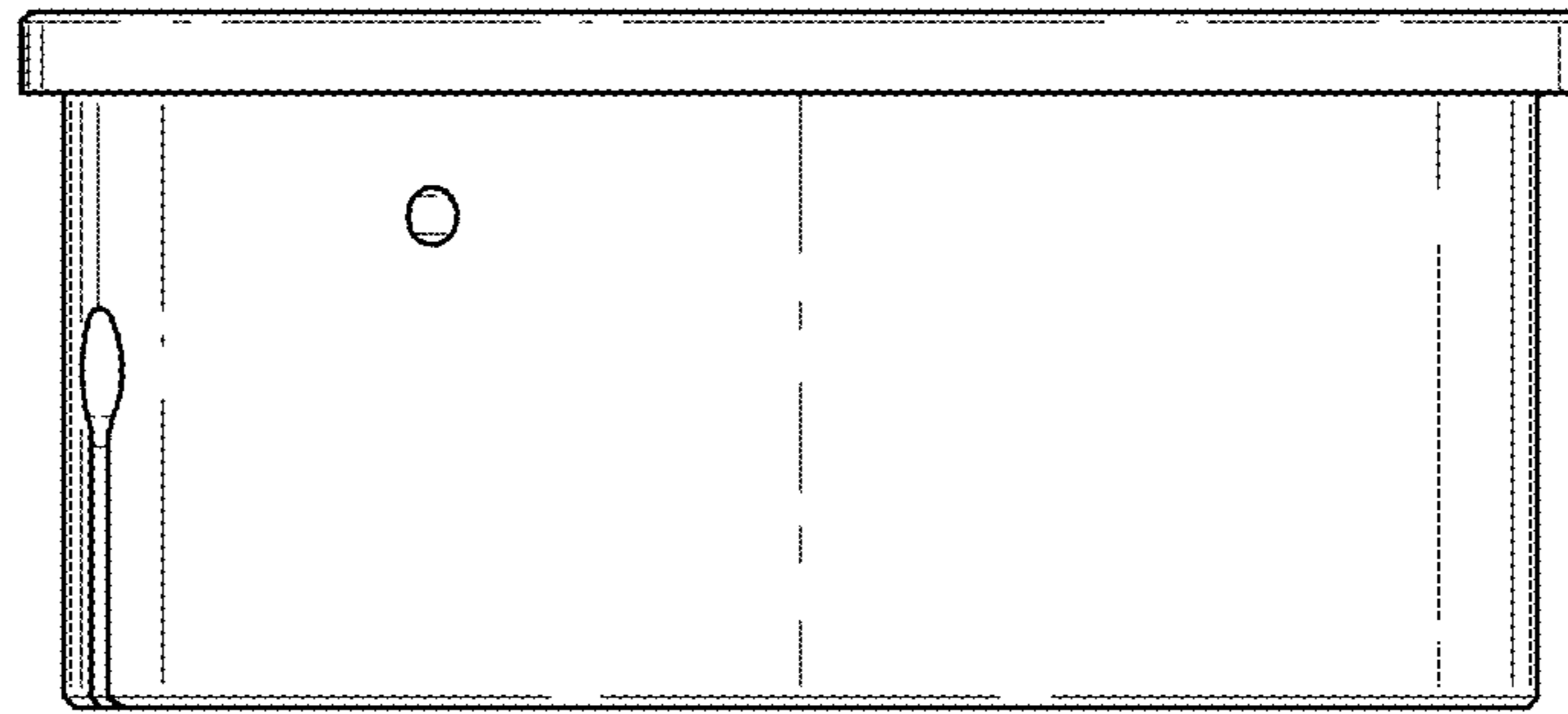


FIG. 4

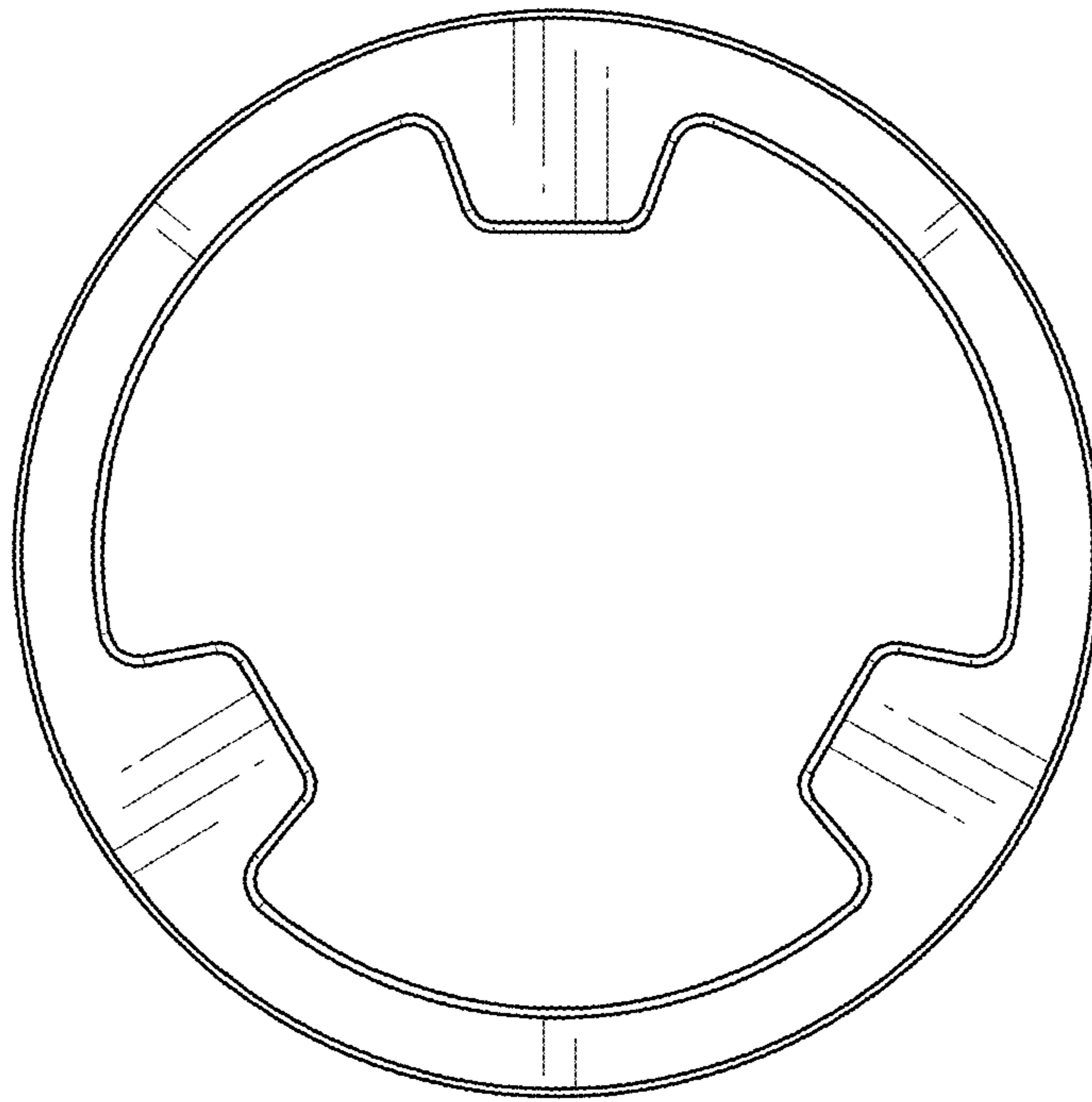


FIG. 5

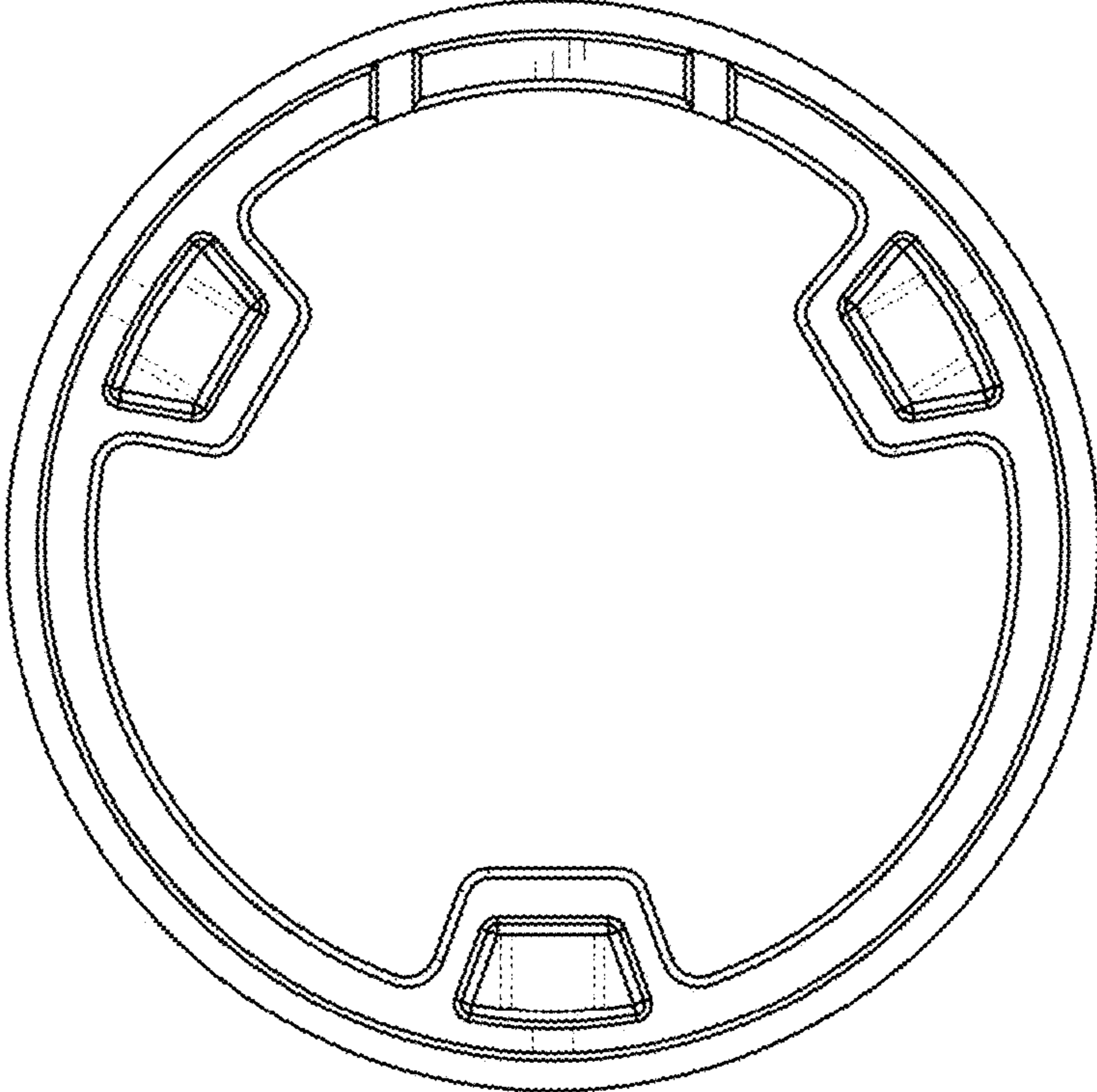


FIG. 6



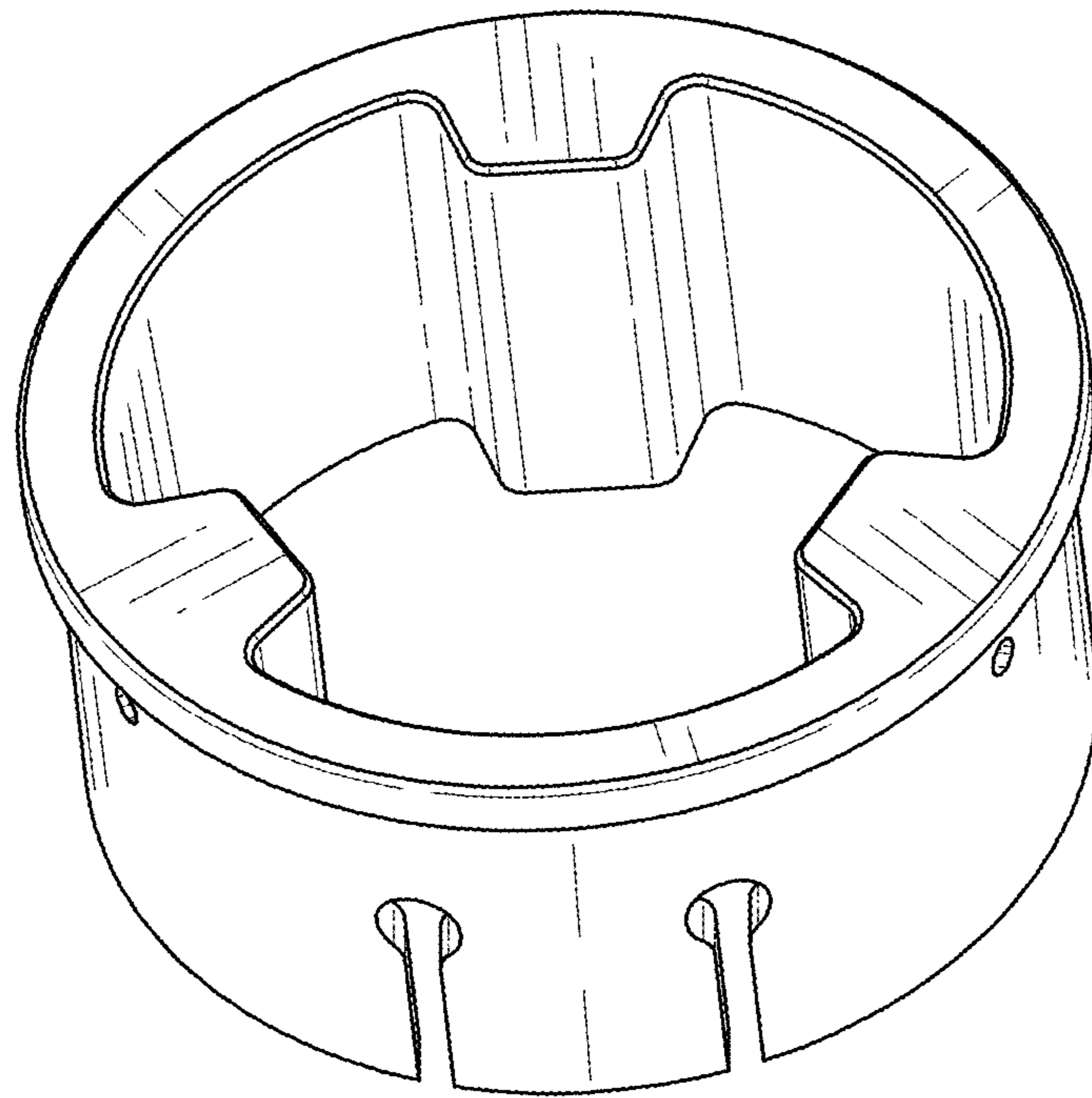


FIG. 7

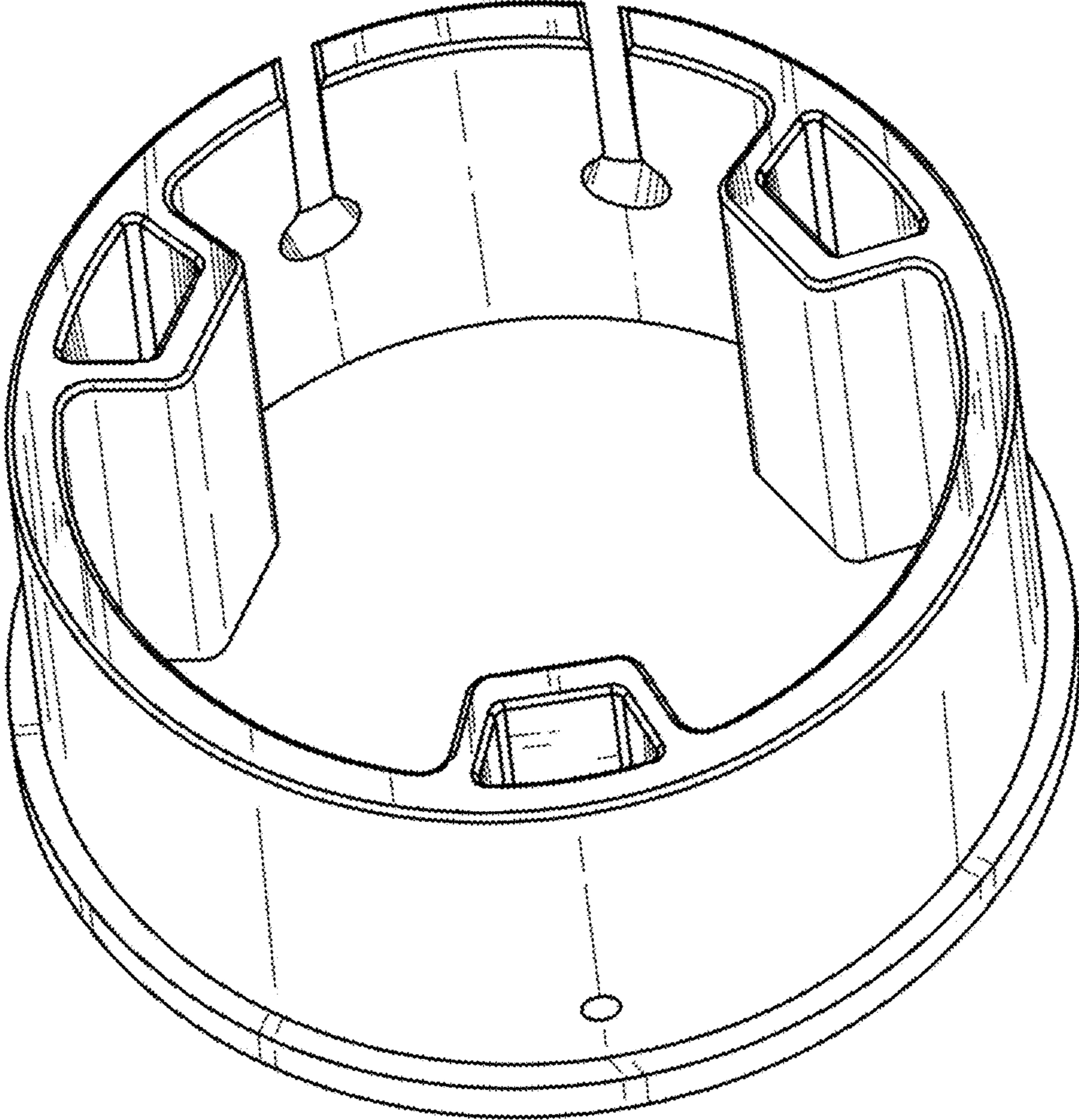


FIG. 8