

US00D952451S

(12) **United States Design Patent** (10) **Patent No.:** **US D952,451 S**
Zuk (45) **Date of Patent:** **** May 24, 2022**

(54) **FASTENER FOR ROADBED CONSTRUCTION**

(71) Applicant: **Zebulon Zuk**, Ham Lake, MN (US)

(72) Inventor: **Zebulon Zuk**, Ham Lake, MN (US)

(**) Term: **15 Years**

(21) Appl. No.: **29/684,534**

(22) Filed: **Mar. 21, 2019**

(51) **LOC (13) Cl.** **08-08**

(52) **U.S. Cl.**
USPC **D8/390**

(58) **Field of Classification Search**
USPC D15/28; D8/390; D24/145
CPC .. E04C 5/00; E04C 5/163; E04C 5/167; E04F
13/045; E01C 11/14; E01C 11/18; F16B
15/0015; F16B 15/06; F16B 15/0092
See application file for complete search history.

(56) **References Cited**

U.S. PATENT DOCUMENTS

202,786 A	4/1878	Burnham	
327,339 A	9/1885	Squire	
D30,896 S *	5/1899	La Prelle	D8/390
D33,096 S *	8/1900	Cohen	D8/390
667,700 A	2/1901	Hick	
1,425,384 A	8/1922	Kelly	
1,574,790 A	3/1926	Carroll	
1,816,387 A	7/1931	Menninger	
2,115,238 A	4/1938	Stevens	
2,329,471 A	9/1943	King	
2,390,219 A	12/1945	La Place	
2,842,023 A	7/1958	Majewski	
3,128,667 A *	4/1964	Tremblay	F16B 15/08 411/443
3,166,671 A	1/1965	Morel et al.	
3,339,448 A	9/1967	McKee	
3,618,447 A	11/1971	Goins	
3,645,163 A	2/1972	Byland	
3,950,911 A	4/1976	Fox, Jr.	

3,969,975 A	7/1976	Krol
3,981,051 A	9/1976	Brumlik
4,220,070 A	9/1980	Anstett
D281,814 S	12/1985	Pratt et al.
4,570,623 A	2/1986	Ellison et al.
4,689,867 A	9/1987	Tolliver

(Continued)

FOREIGN PATENT DOCUMENTS

CA	2811575 A1	10/2013
JP	8-317537 A2	11/1996

OTHER PUBLICATIONS

Scott Fischer; Anchor Reinforcement for Concrete Podium Slabs—Simpson Strong-Tie Structural Engineering Blog; <http://seblog.strongtie.com/2015/06/anchor-reinforcement-for-concrete-podium-slabs/>; Published on Jun. 25, 2015; 11 pages.

(Continued)

Primary Examiner — Mark A Goodwin

(74) *Attorney, Agent, or Firm* — Holzer Patel Drennan

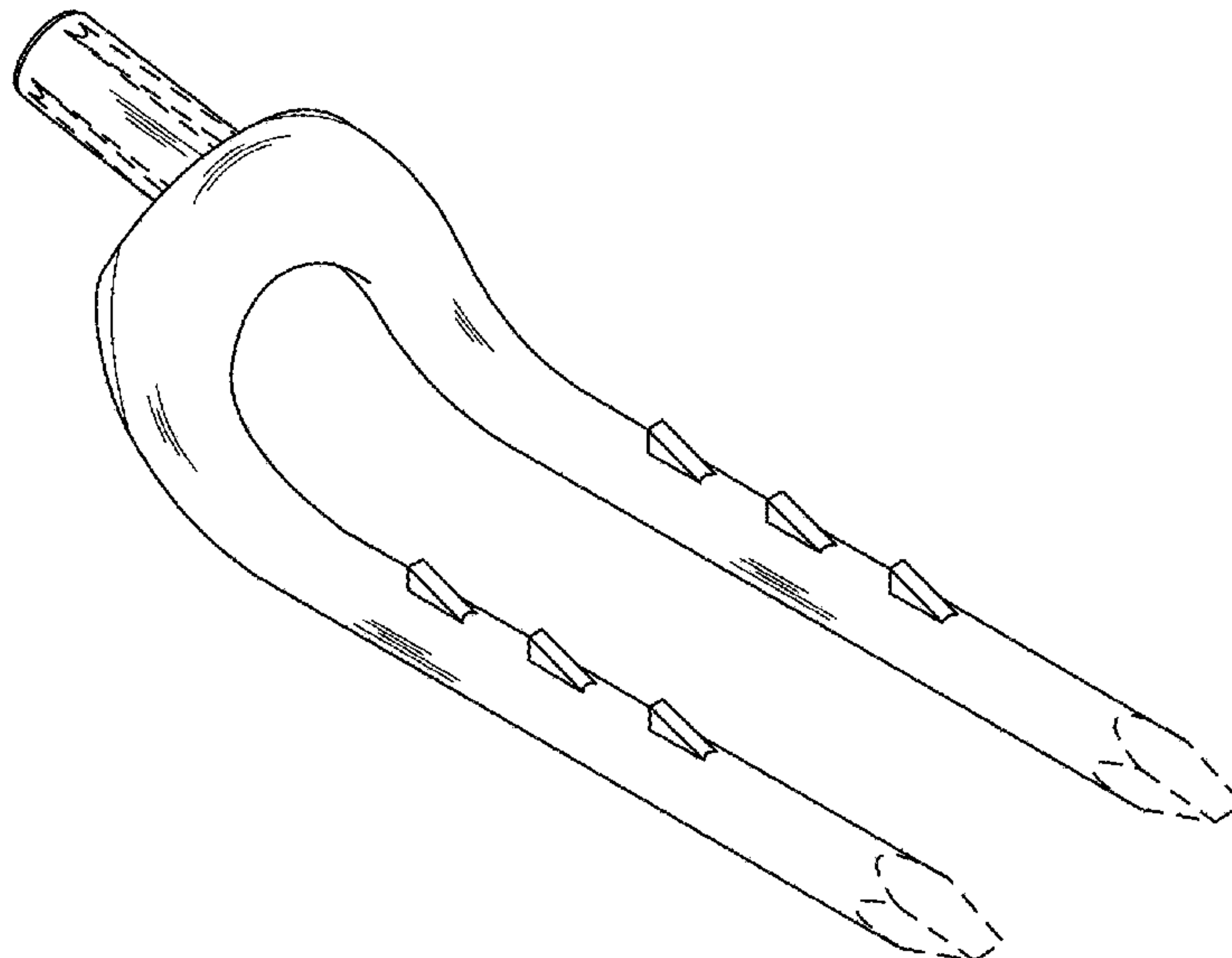
(57) **CLAIM**

The ornamental design for fastener for roadbed construction, as shown and described.

DESCRIPTION

FIG. 1 is a front-right side perspective view of a fastener for roadbed construction showing my new design.
FIG. 2 is a rear-left side perspective view thereof.
FIG. 3 is a top plan view thereof.
FIG. 4 is a bottom plan view thereof.
FIG. 5 is a right side plan view thereof.
FIG. 6 is a left side plan view thereof.
FIG. 7 is a rear plan view thereof; and,
FIG. 8 is a front plan view thereof.
The broken lines in the figures are for illustrative purposes only and form no portion of the claimed design.

1 Claim, 4 Drawing Sheets



(56)

References Cited

U.S. PATENT DOCUMENTS

4,697,045 A 9/1987 Beatty
 D298,916 S * 12/1988 Beatty D8/390
 5,313,337 A 5/1994 Byers
 5,738,474 A * 4/1998 Blewett A61B 17/07207
 411/473
 5,839,632 A 11/1998 Koday
 D418,399 S 4/2000 Tucker
 D484,032 S 12/2003 Del Re
 6,802,390 B2 10/2004 Peterson et al.
 7,090,173 B2 8/2006 Lussier
 D583,630 S 12/2008 Goodman et al.
 7,874,778 B1 * 1/2011 Derrig H02G 3/32
 411/457
 8,409,250 B2 4/2013 Schmieding et al.
 D706,893 S 6/2014 Diederich
 D728,104 S 4/2015 Katchis et al.
 9,046,197 B2 6/2015 Cousineau
 9,206,561 B2 12/2015 Alfieri
 D773,666 S 12/2016 Cheney et al.
 D777,329 S 1/2017 Montoya et al.
 9,879,415 B2 1/2018 Hooker et al.
 D840,035 S 2/2019 Weiner et al.

10,258,328 B2 4/2019 Penzimer
 D871,199 S * 12/2019 Parker D8/390
 2004/0247415 A1 * 12/2004 Mangone, Jr. F16B 15/08
 411/457
 2007/0093839 A1 4/2007 Beckendorf et al.
 2009/0263190 A1 10/2009 Segal
 2016/0369944 A1 12/2016 Kremer et al.
 2018/0347610 A1 12/2018 Zuk

OTHER PUBLICATIONS

Malco; Refractory Anchors; <http://malco-pc.com/products/refractory-anchors/>; Retrieved on Aug. 4, 2017; 2 pages.
 Sunmach; Dual Pin U Base Refractory Anchors Manufacturers, Exporters & Dealers; <http://www.sunmach.net/Refractory-Anchors/Dual-Pin-U-Base-Refractory-Anchors-Manufacturers.html>; Retrieved on Aug. 4, 2017; 1 page.
 Sunmach; V Shaped Corrugated U Base Refractory Anchors Manufacturer; <http://www.sunmach.net/Refractory-Anchors/V-Shaped-Corrugated-U-Base-Refractory-Anchors-Manufacturers.html>; Retrieved on Aug. 4, 2017; 1 page.
 International Search Report and Written Opinion from PCT application PCT/US2018/035988, dated Sep. 24, 2018.

* cited by examiner

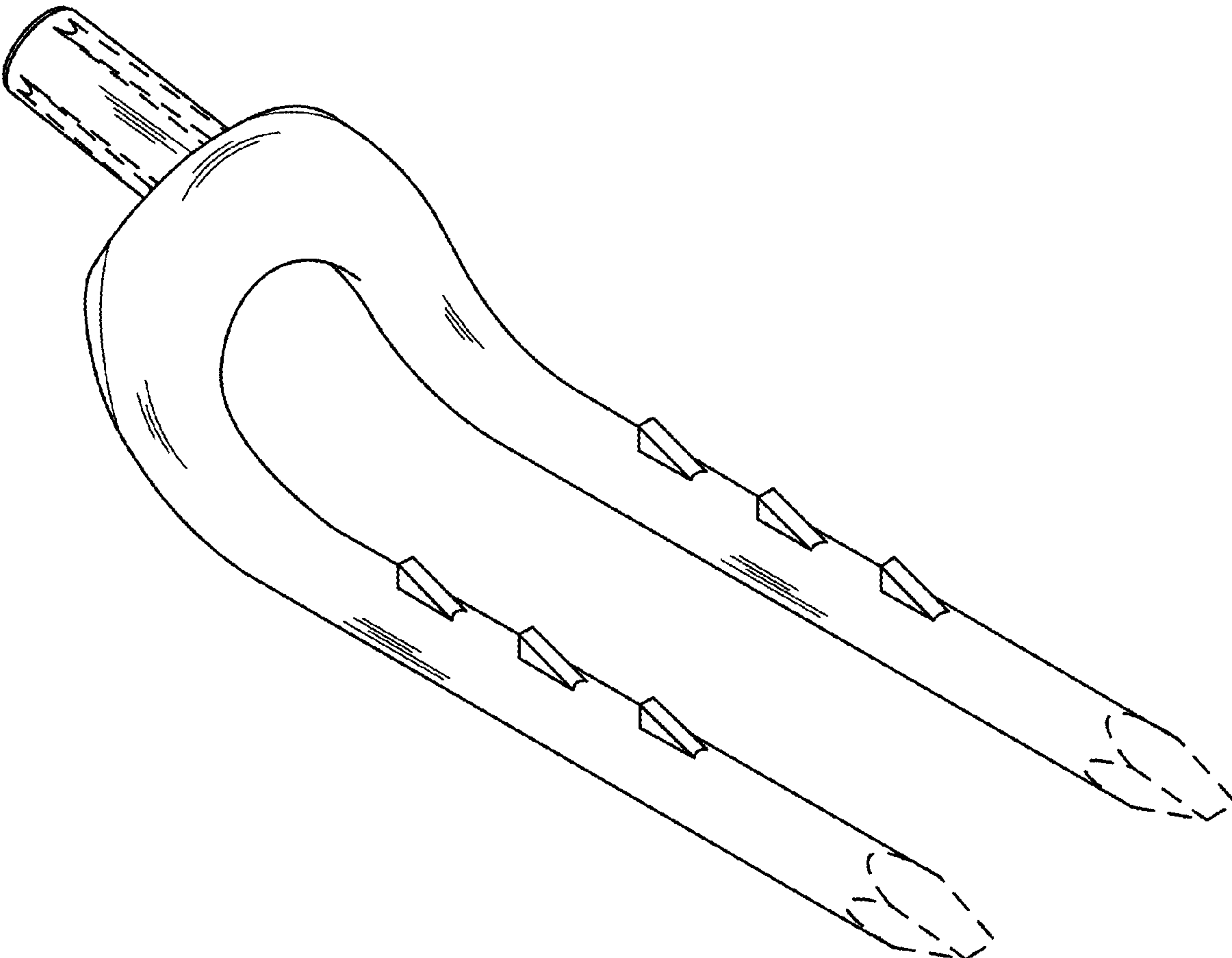


FIG. 1

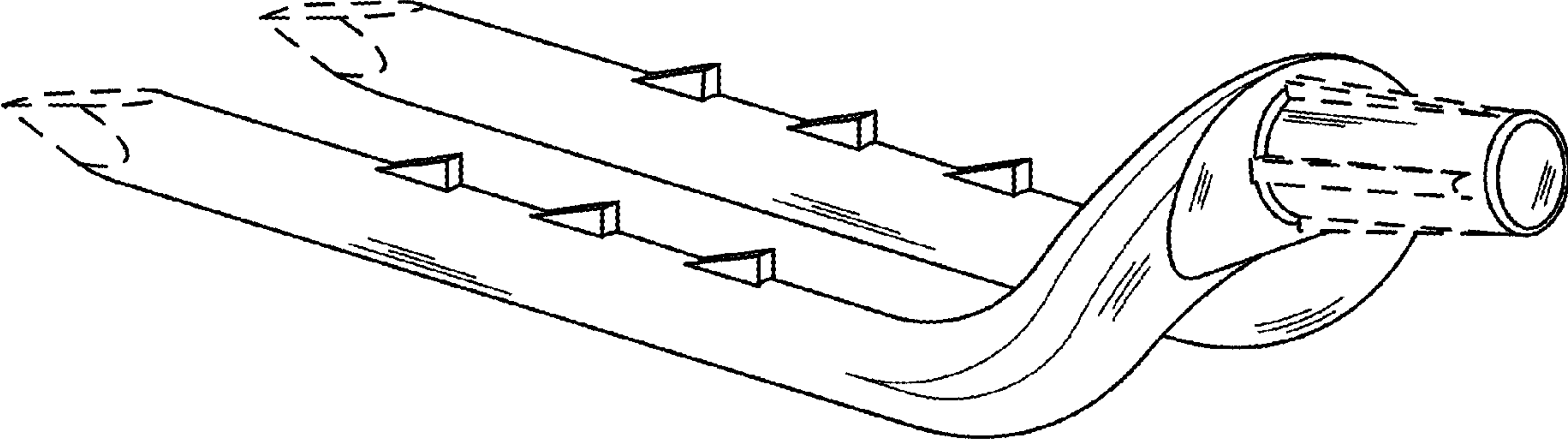


FIG. 2

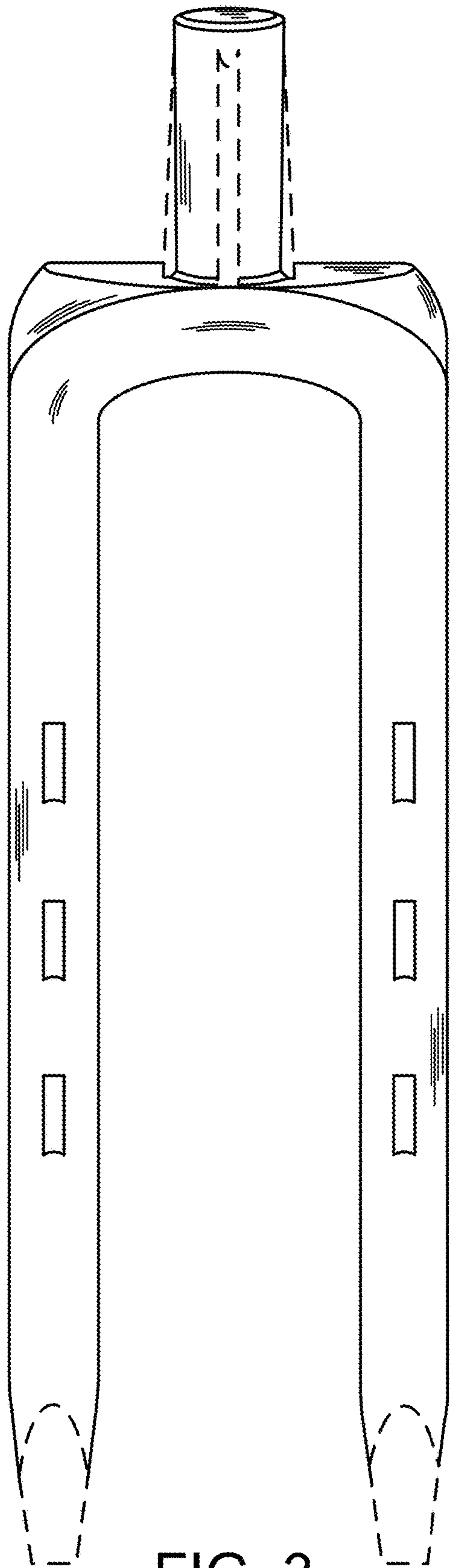


FIG. 3

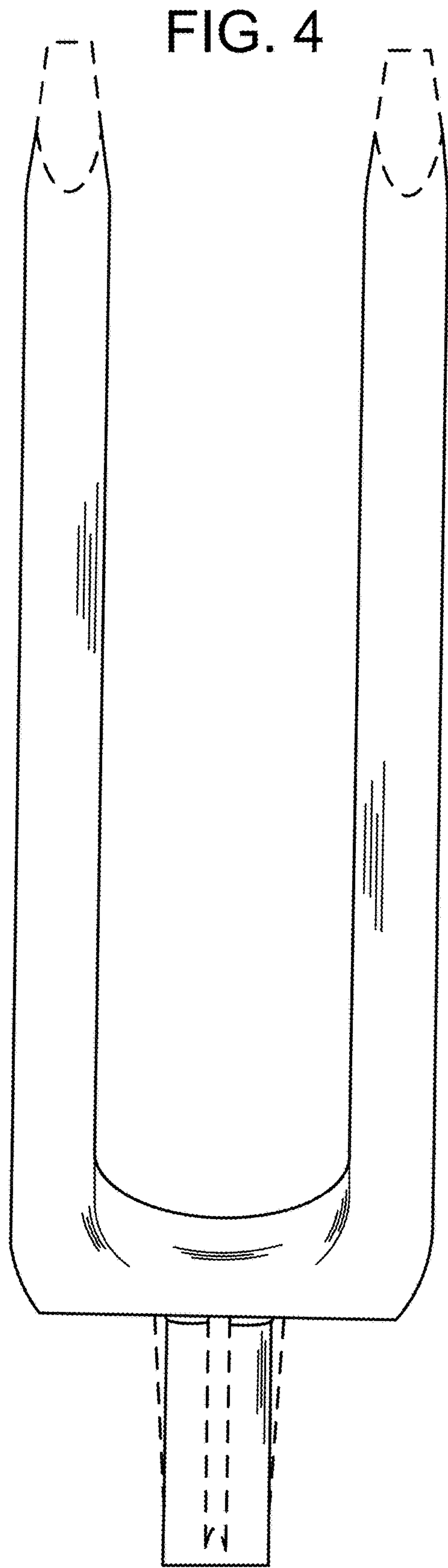


FIG. 4

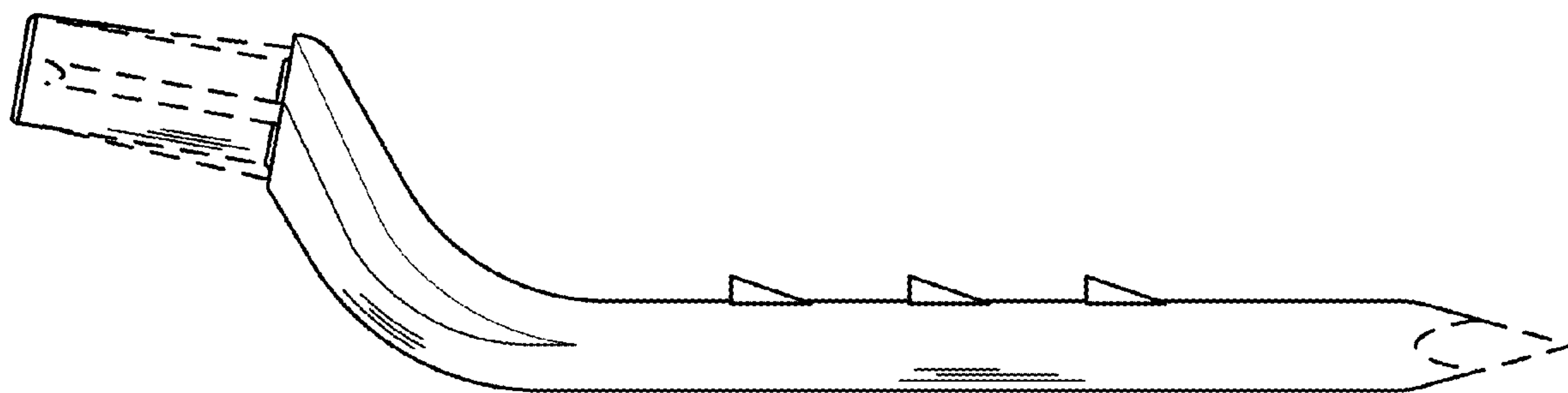


FIG. 5

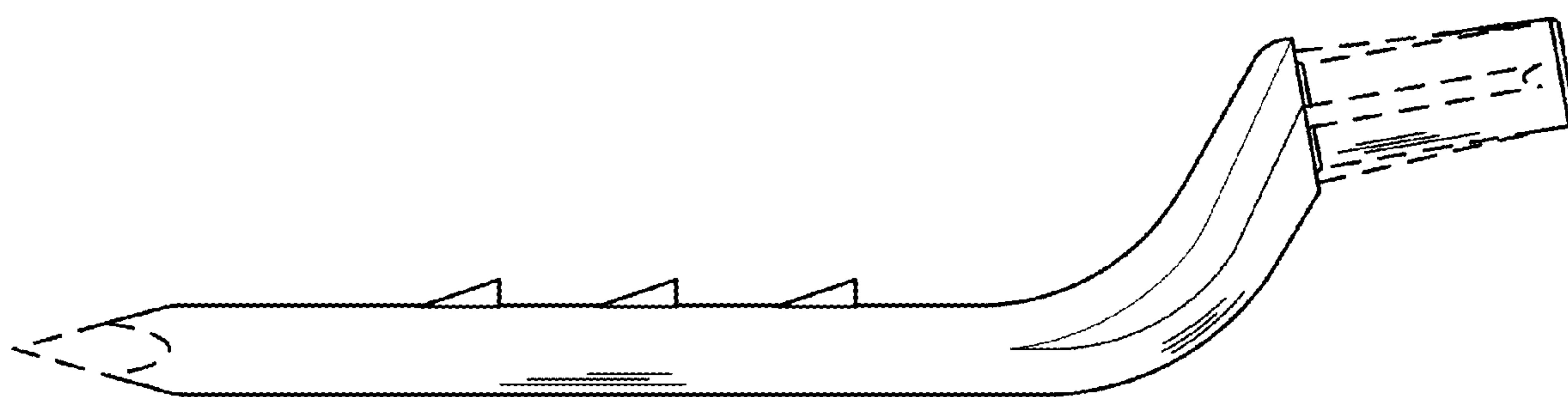


FIG. 6

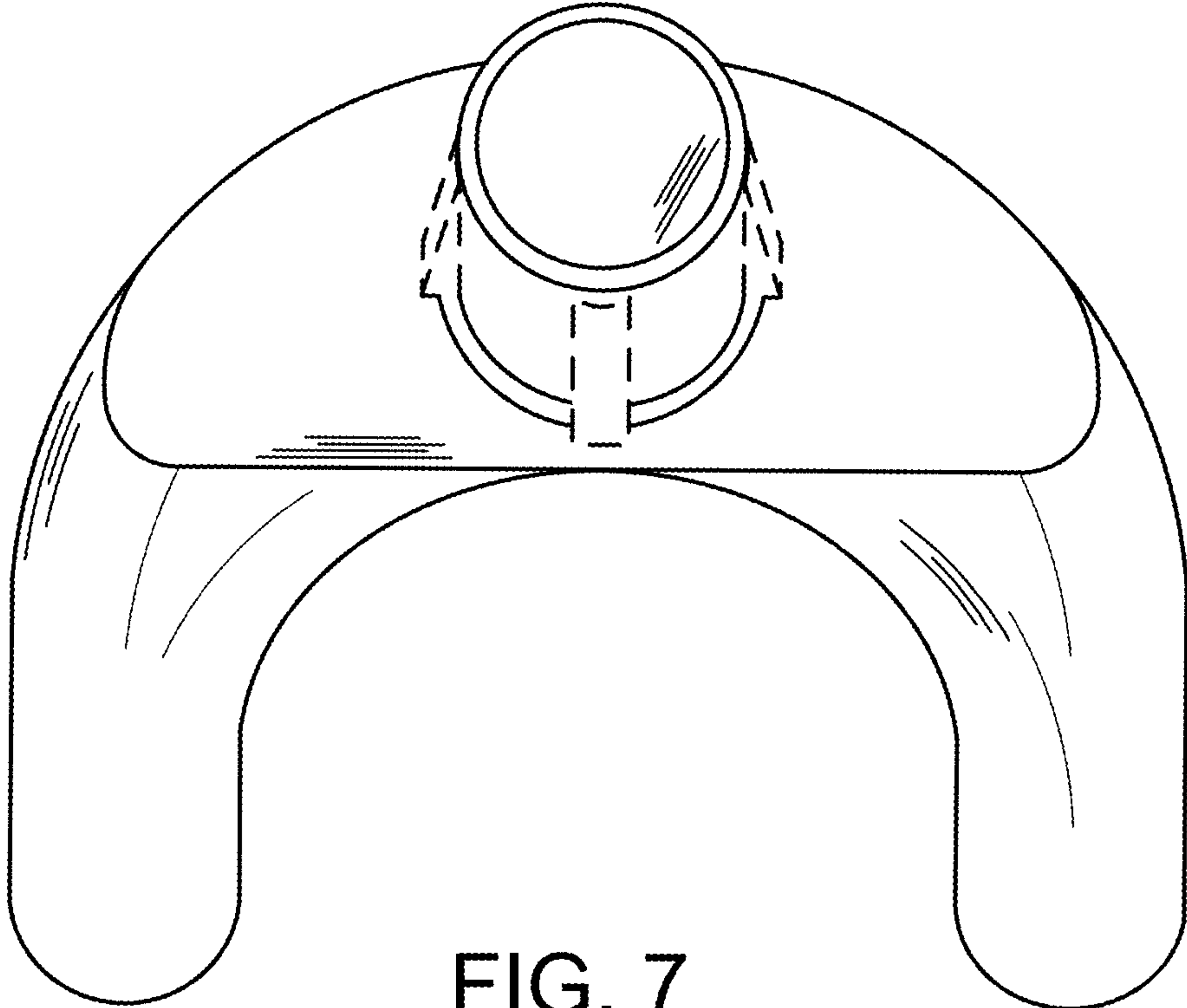


FIG. 7

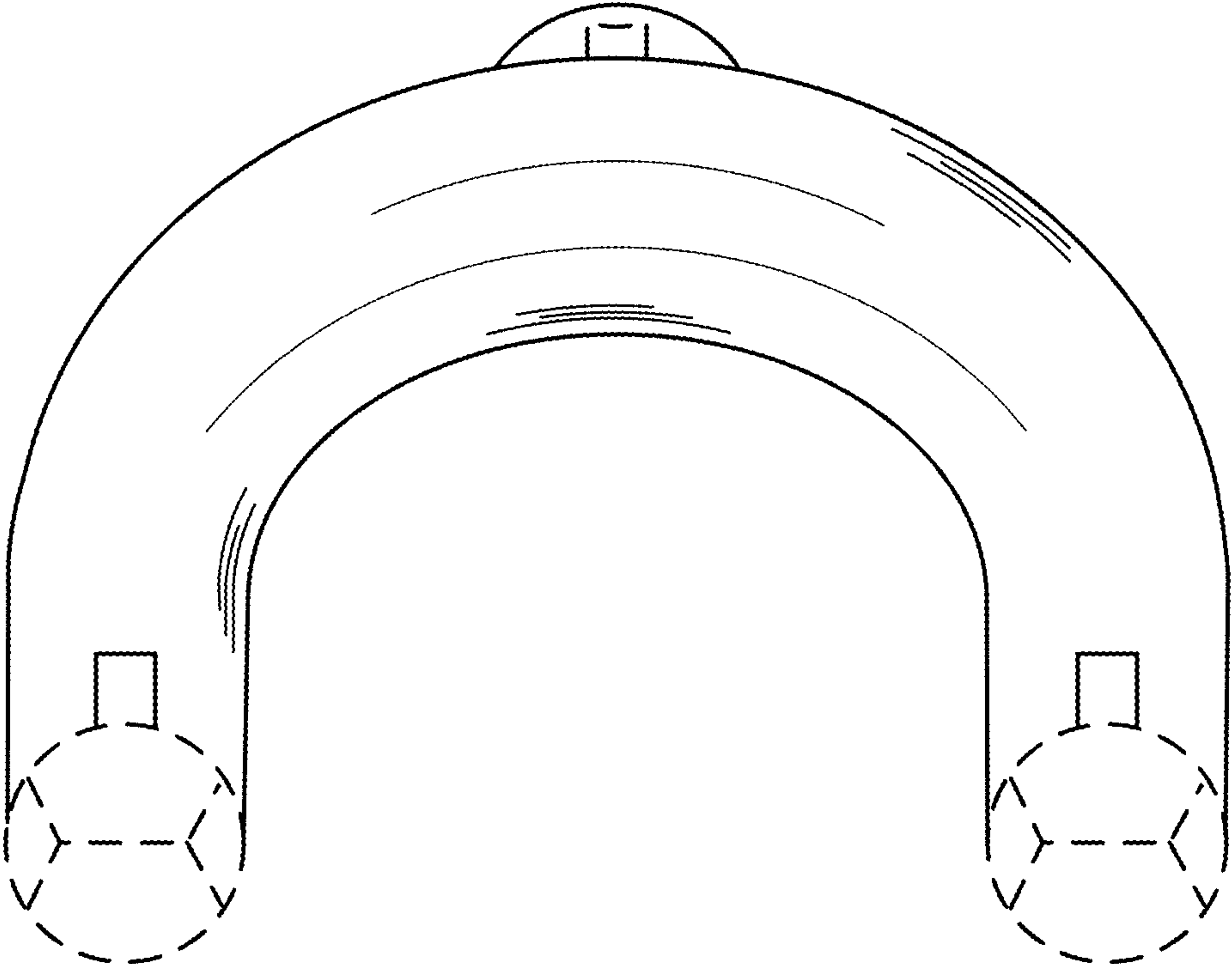


FIG. 8