



US00D952450S

(12) **United States Design Patent**
Ricehouse

(10) **Patent No.:** **US D952,450 S**

(45) **Date of Patent:** **** May 24, 2022**

- (54) **BOLT**
- (71) Applicant: **Wheel Pros, LLC**, Greenwood Village, CO (US)
- (72) Inventor: **Daniel I Ricehouse**, Phoenix, AZ (US)
- (**) Term: **15 Years**
- (21) Appl. No.: **29/722,952**
- (22) Filed: **Feb. 3, 2020**
- (51) **LOC (13) Cl.** **08-08**
- (52) **U.S. Cl.**
USPC **D8/387**
- (58) **Field of Classification Search**
USPC D8/385, 387, 388, 391, 397
CPC F16B 23/003; F16B 23/0038; F16B 23/0046;
F16B 23/0007; F16B 23/0015; F16B 23/0023; F16B 23/00; F16B 23/0084;
F16B 25/0036; F16B 25/0042; F16B 25/0015; F16B 25/0021; F16B 25/0026;
F16B 25/0031; F16B 25/0047; F16B 25/001
See application file for complete search history.

(56) **References Cited**

U.S. PATENT DOCUMENTS

- 1,778,576 A * 10/1930 Percy B25B 1/24
411/521
- 1,928,068 A * 9/1933 Michelin F16B 43/02
301/35.626
- 3,352,190 A * 11/1967 Carlson F16B 35/047
411/403
- 3,400,626 A * 9/1968 Bergere B25B 15/005
411/405
- 3,901,122 A * 8/1975 Novotny F16B 29/00
411/366.1
- 3,969,974 A * 7/1976 Lejdegard F16B 23/003
411/405

- D268,565 S * 4/1983 Mortus D8/397
- 4,732,519 A * 3/1988 Wagner F16B 5/0258
403/14
- 4,842,467 A * 6/1989 Armstrong F16B 25/0026
411/386
- 5,199,152 A * 4/1993 Wagner F16B 41/002
29/444
- 5,207,545 A * 5/1993 Kochanski B25B 23/065
206/338
- 5,230,540 A * 7/1993 Lewis F02K 1/80
285/363
- 5,232,323 A * 8/1993 Baehre F16B 33/002
411/109
- 5,489,177 A * 2/1996 Schmidt, Jr. F16B 41/002
411/369
- D368,019 S * 3/1996 Ohtsuka D8/387
- D413,791 S * 9/1999 May D8/387
- 5,971,860 A * 10/1999 Medal B21C 51/00
411/8

(Continued)

Primary Examiner — Sheryl Lane
Assistant Examiner — Ieisha N Price
(74) *Attorney, Agent, or Firm* — Eric Hanscom

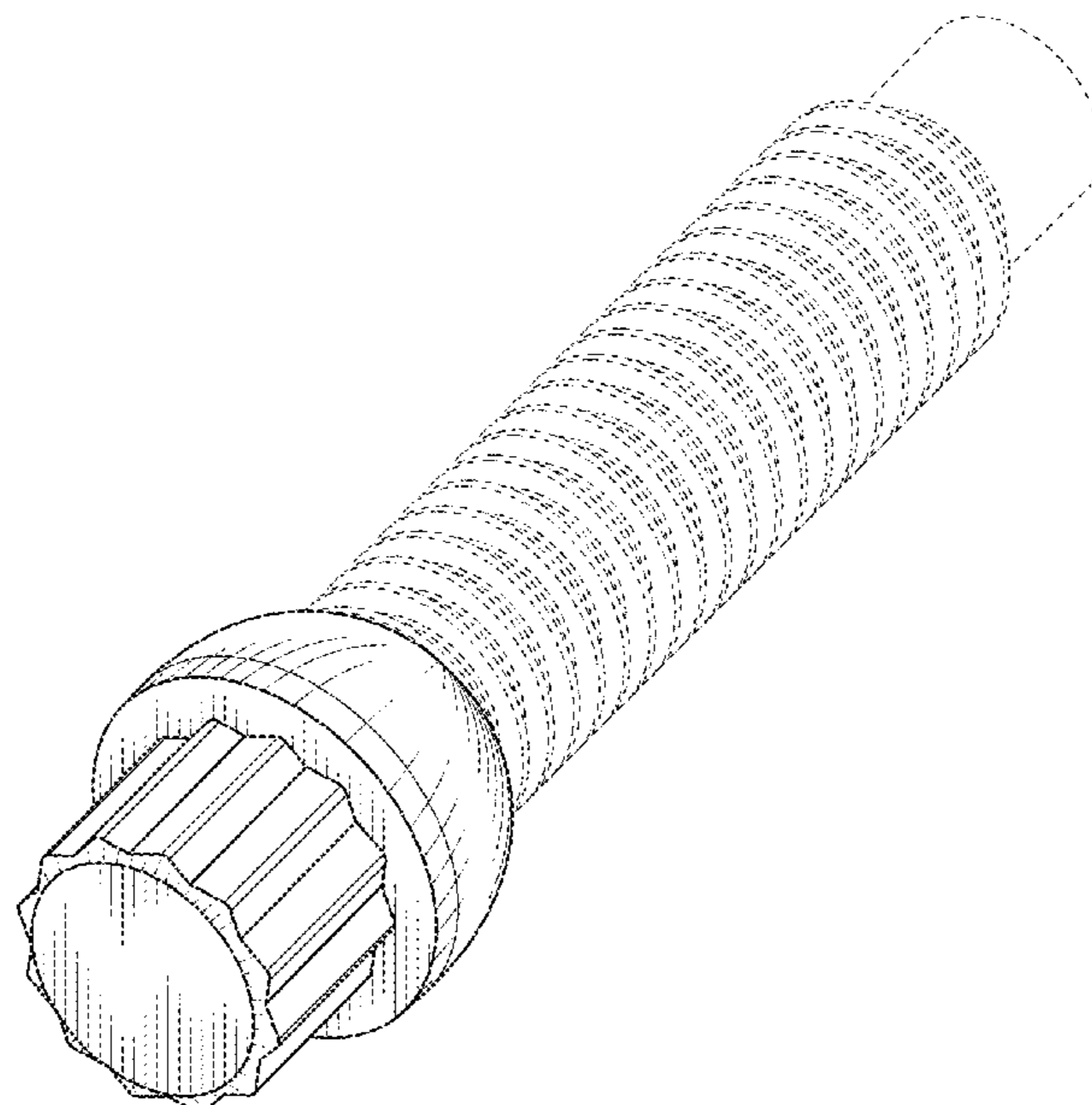
(57) **CLAIM**

The ornamental design for a bolt, as shown and described.

DESCRIPTION

FIG. 1 is a perspective view of a bolt showing my new design;
FIG. 2 is a front view thereof;
FIG. 3 is a back view thereof;
FIG. 4 is a top view thereof;
FIG. 5 is a bottom view thereof;
FIG. 6 is a right-side view thereof; and,
FIG. 7 is a left-side view thereof.
In the drawings, broken lines shown in the drawings depict environmental subject matter only and form no part of the claimed design.

1 Claim, 4 Drawing Sheets



(56)

References Cited

U.S. PATENT DOCUMENTS

6,089,806 A * 7/2000 Reynolds B21K 1/46
411/386
6,125,526 A * 10/2000 Wierzchon F16B 5/0275
29/525.02
6,174,118 B1 * 1/2001 Rebers F16B 37/041
411/107
6,227,784 B1 * 5/2001 Antoine F02B 77/00
411/11
6,264,414 B1 * 7/2001 Hartmann F16B 31/00
411/392
6,280,132 B1 * 8/2001 Szczukowski ... F02M 35/10078
411/353
D455,636 S * 4/2002 Gilbert D8/331
6,435,791 B1 * 8/2002 Bydalek B60B 3/145
411/371.2
6,517,301 B2 * 2/2003 Hartmann F16B 35/06
411/136
D476,873 S * 7/2003 Carroll D8/70
6,866,769 B2 * 3/2005 Anderson B23H 3/00
204/224 M
7,364,394 B2 * 4/2008 Ramasamy F16B 37/061
411/171
D604,600 S * 11/2009 Lesesky D8/387
7,686,554 B2 * 3/2010 Amann F16B 43/00
411/352
7,771,149 B2 * 8/2010 Bauer F16B 41/002
411/533
8,079,773 B2 * 12/2011 Blanton F16L 47/14
403/335
8,202,031 B2 * 6/2012 Hartmann F16B 41/002
411/353
8,210,784 B2 * 7/2012 Hartmann F16B 41/002
411/353
8,393,841 B1 * 3/2013 Angeloni F16B 35/06
411/409
D720,785 S * 1/2015 Sato D15/144.2
9,169,728 B2 * 10/2015 Wallace F01D 25/04
D746,129 S * 12/2015 Kishida D8/399
9,297,407 B2 * 3/2016 Pudvah F16B 5/02
D760,582 S * 7/2016 Muzic D8/387
D764,267 S * 8/2016 Hutter, III D8/387
9,482,260 B1 * 11/2016 Krause A61B 17/8625
D779,930 S * 2/2017 Chen D8/387

D787,924 S * 5/2017 Baiz D8/387
D790,612 S * 6/2017 Haimer D15/138
D792,201 S * 7/2017 Baiz D8/387
D793,850 S * 8/2017 Zhang D8/387
D798,701 S * 10/2017 Hill F16B 37/14
D8/397
D803,038 S * 11/2017 Baker D8/387
D840,797 S * 2/2019 Bentley D8/397
10,221,946 B1 * 3/2019 Pai F16B 23/0076
D909,856 S * 2/2021 Cobzaru D8/387
D911,157 S * 2/2021 Polidori D8/387
2003/0185649 A1 * 10/2003 Mizuno F16B 35/047
411/411
2005/0008451 A1 * 1/2005 Groppo F16B 39/08
411/431
2005/0081578 A1 * 4/2005 Yoon F16B 35/048
68/131
2007/0157736 A1 * 7/2007 Kawano F16B 43/00
73/761
2008/0044254 A1 * 2/2008 Wilson F16B 37/14
411/429
2008/0075403 A1 * 3/2008 Holt F02M 55/025
384/551
2011/0070051 A1 * 3/2011 Chang F16B 23/0092
411/405
2011/0116895 A1 * 5/2011 Garver F16B 23/0038
411/402
2012/0034046 A1 * 2/2012 Cooper F16B 35/041
411/361
2013/0125714 A1 * 5/2013 Dahners A61B 17/8888
81/451
2013/0149071 A1 * 6/2013 Davis F16B 1/0071
411/402
2014/0147226 A1 * 5/2014 Andrade de Souza
F16B 41/005
411/3
2015/0086290 A1 * 3/2015 Bisset F16B 5/0266
411/15
2015/0313658 A1 * 11/2015 Kolb A61B 17/8625
606/309
2016/0252125 A1 * 9/2016 Lares F16B 23/0038
411/402
2017/0363129 A1 * 12/2017 Bada B25B 13/065
2018/0223889 A1 * 8/2018 Yi B21K 1/46
2018/0335067 A1 * 11/2018 Owen F16B 35/045

* cited by examiner

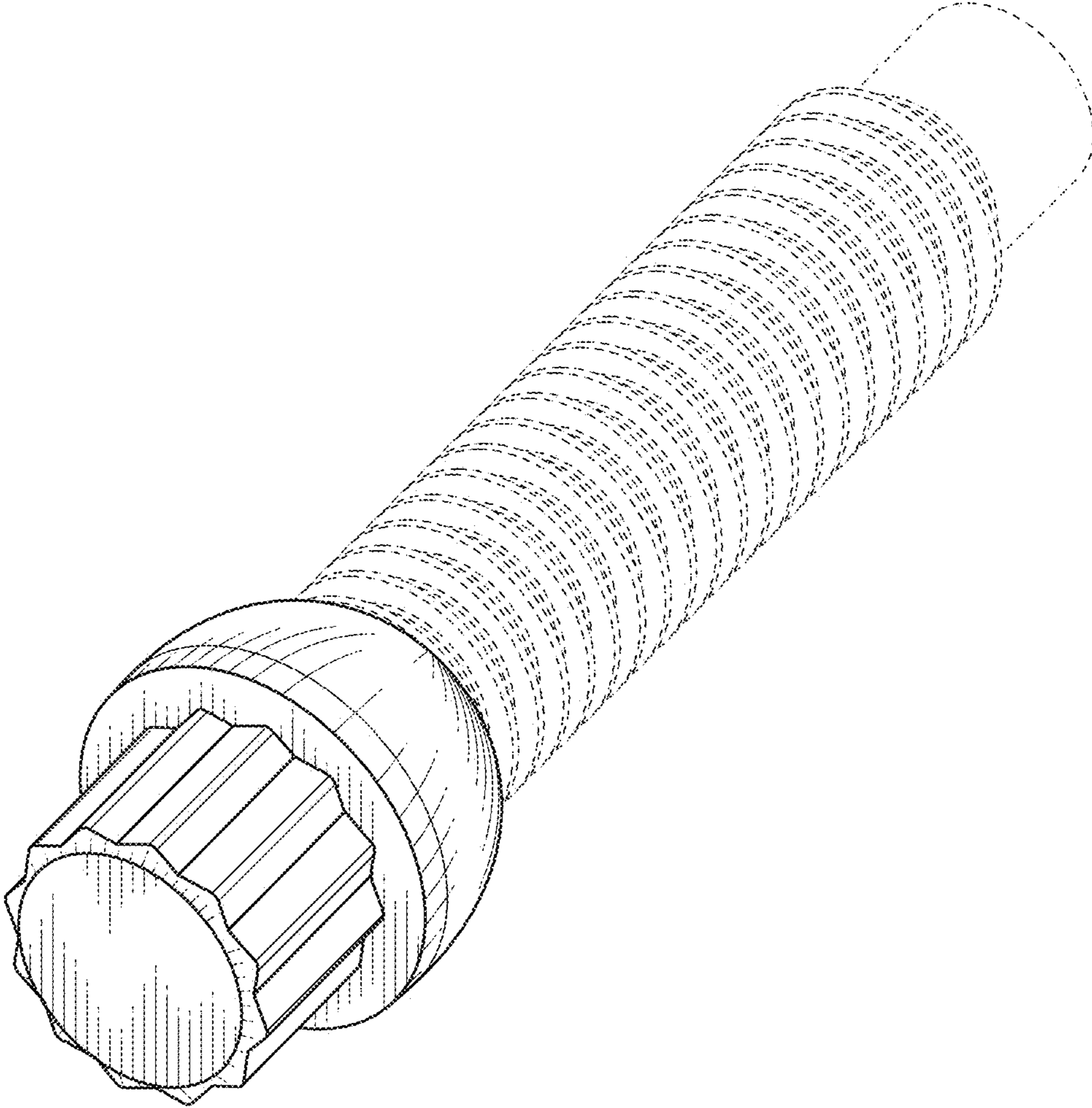


FIG. 1

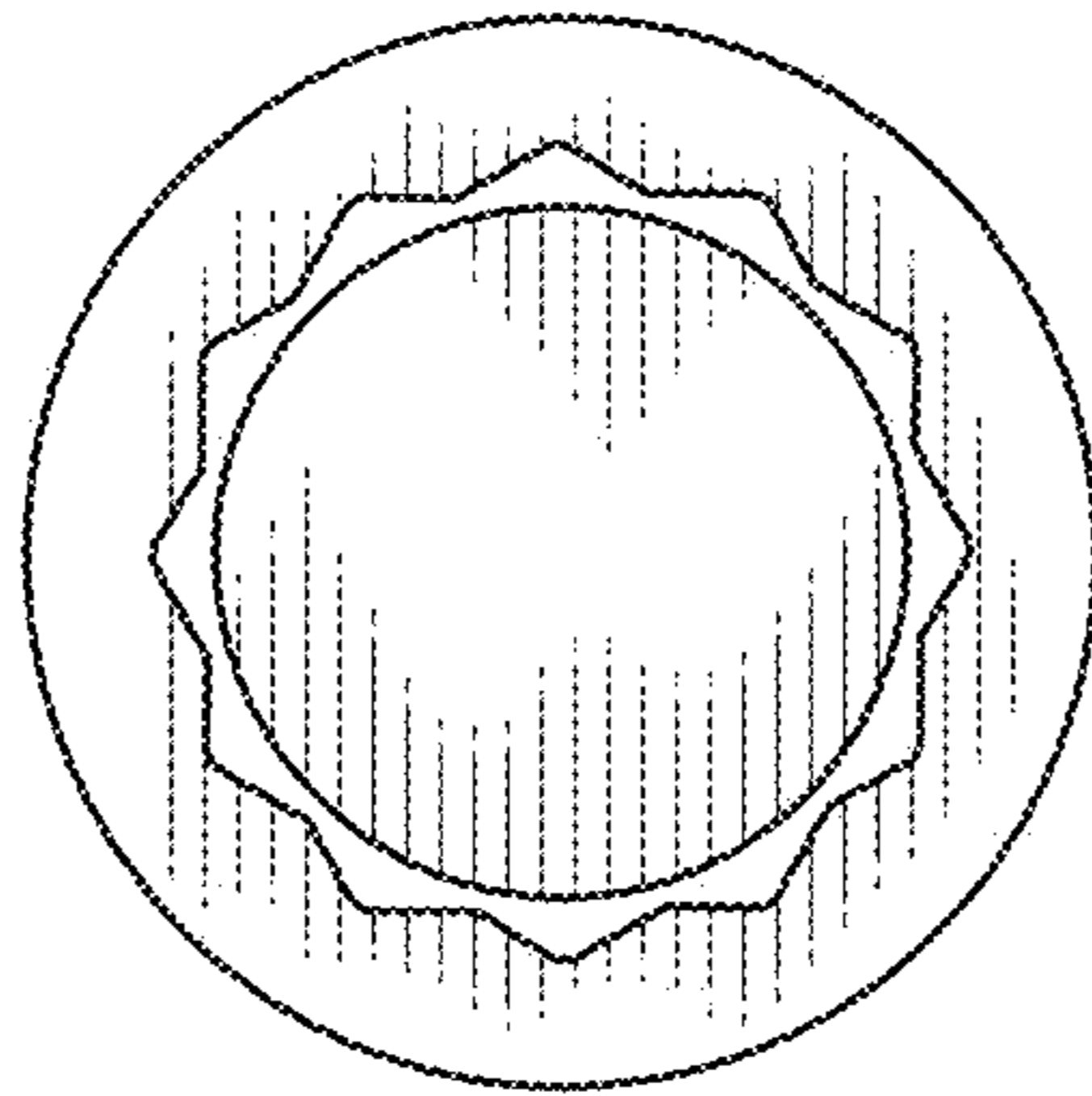


FIG. 2

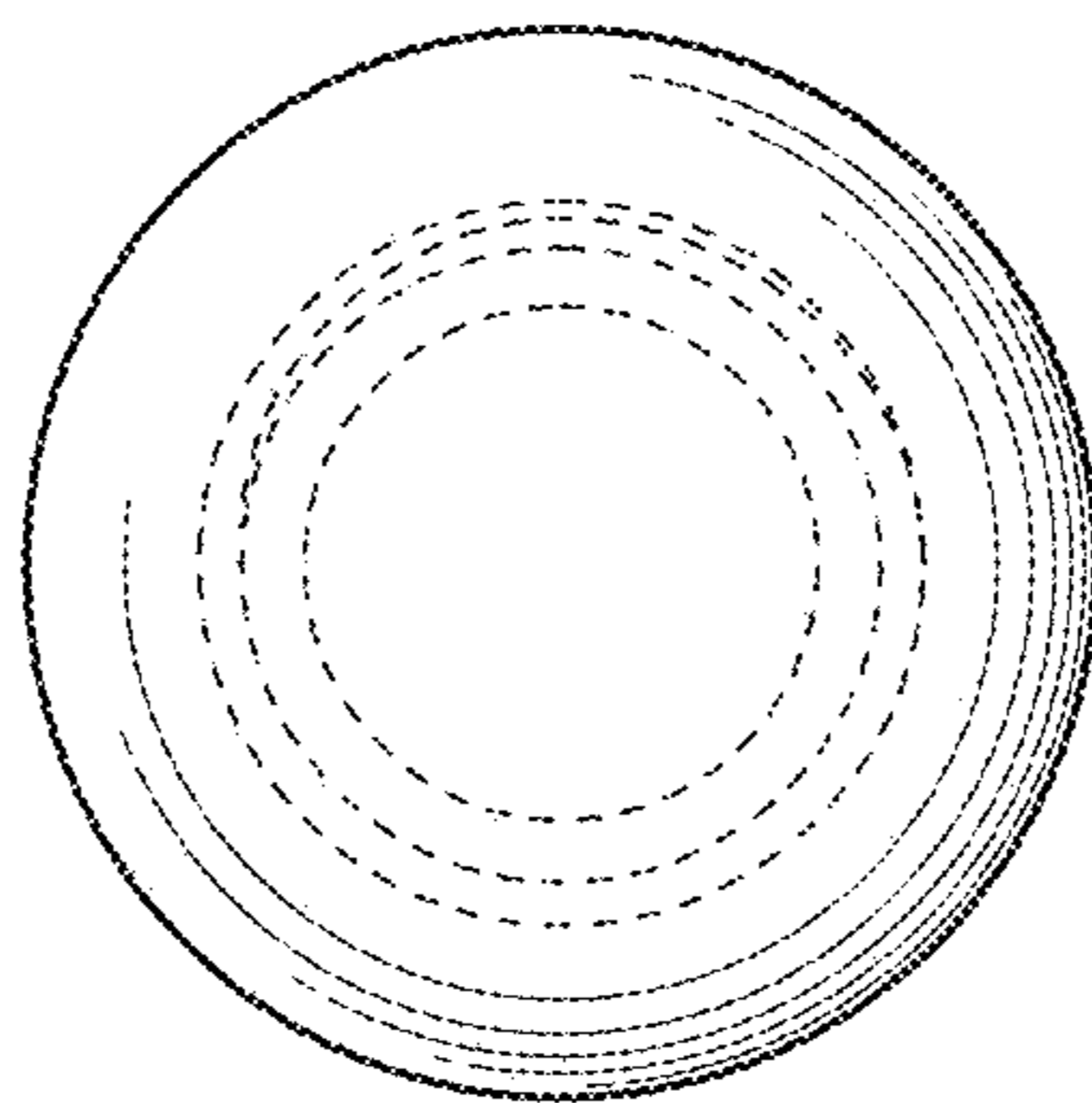


FIG. 3

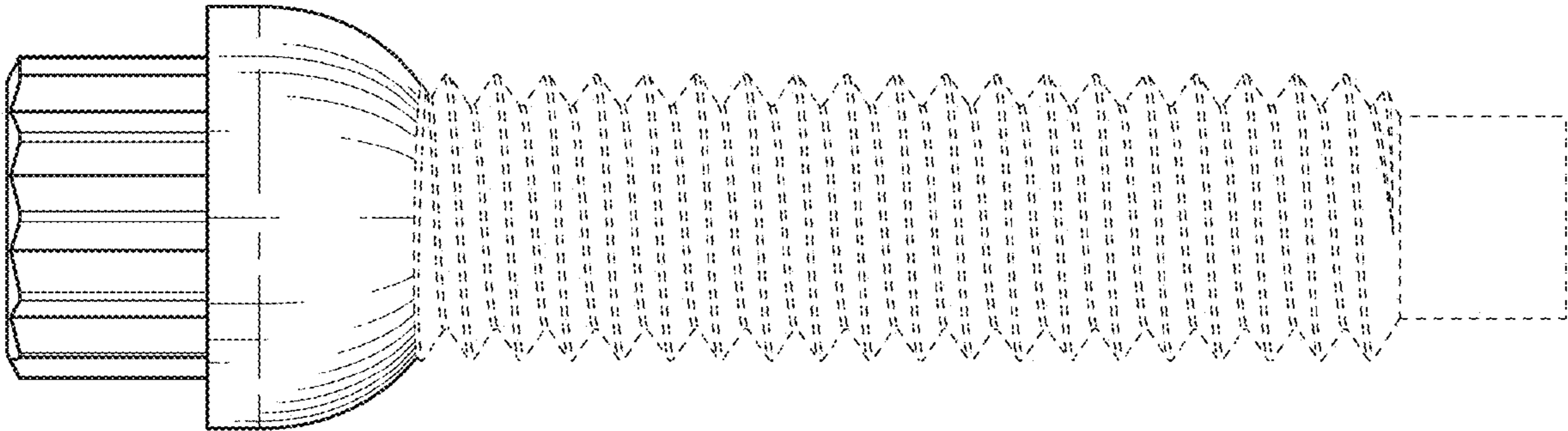


FIG. 4

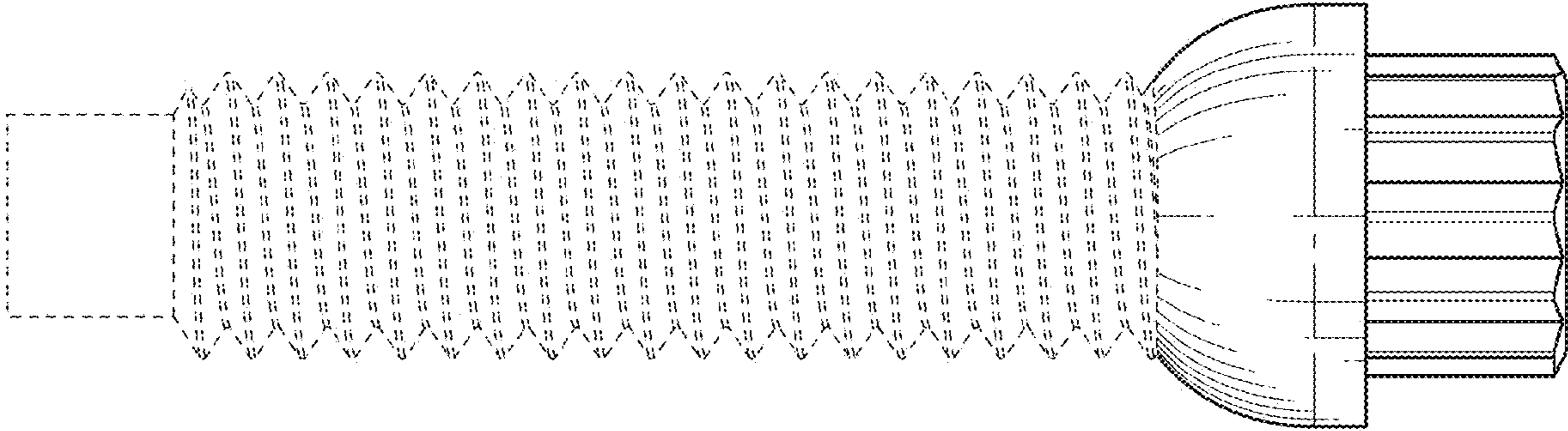


FIG. 5

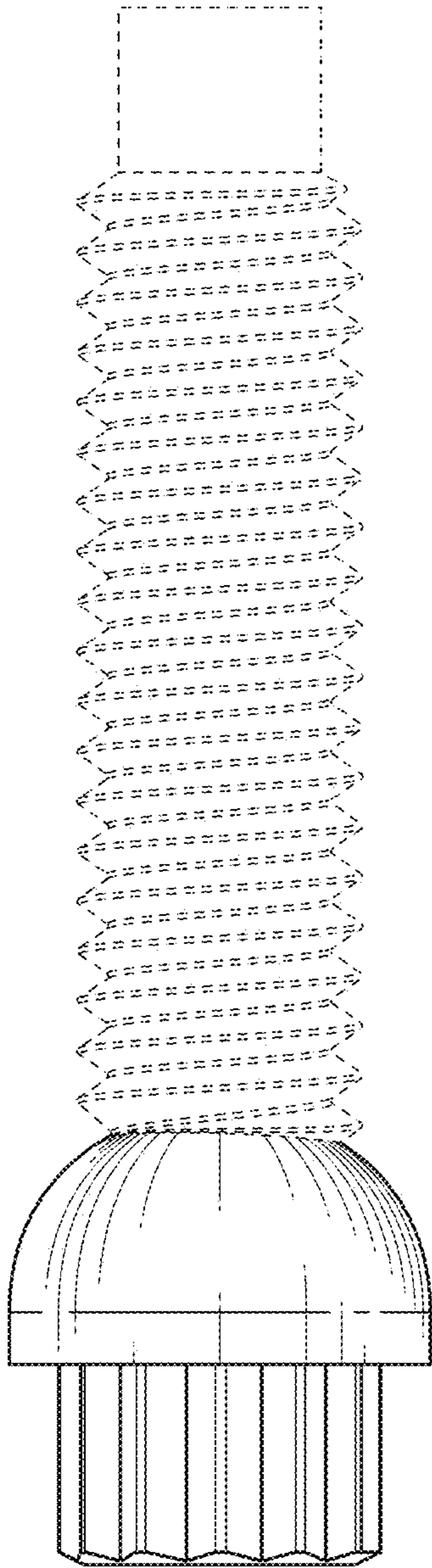


FIG. 6

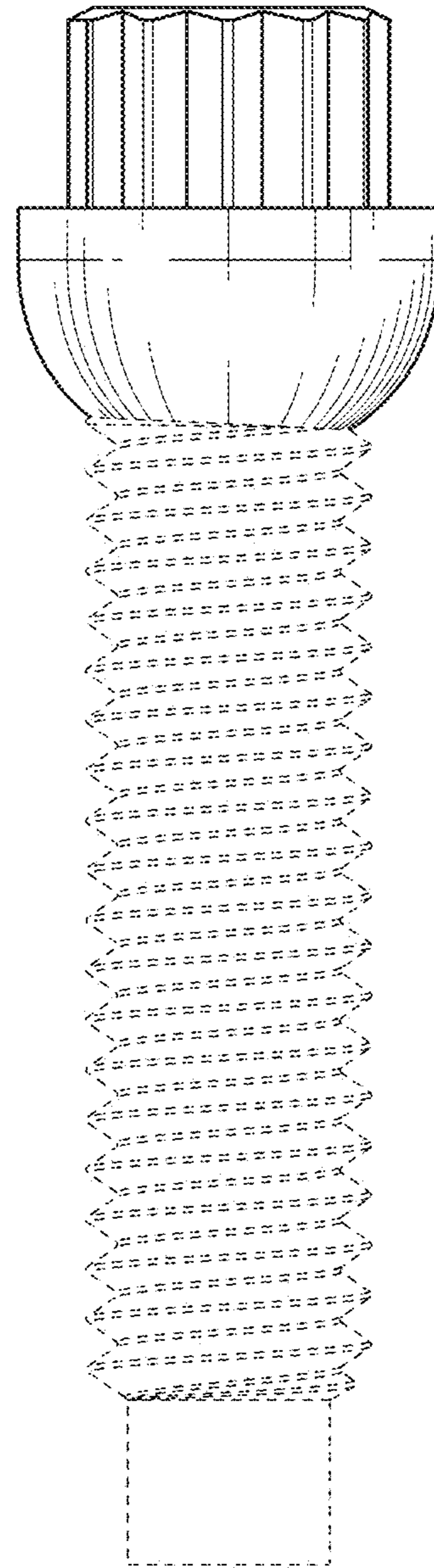


FIG. 7