



US00D952449S

(12) **United States Design Patent**  
**Liu**

(10) **Patent No.:** **US D952,449 S**

(45) **Date of Patent:** **\*\* May 24, 2022**

(54) **CURTAIN HOLDBACK TIE**

(71) Applicant: **Hangzhou jiyuan fangzhi co., Ltd.**,  
Hangzhou (CN)

(72) Inventor: **Lunpo Liu**, Hangzhou (CN)

(\*\*) Term: **15 Years**

(21) Appl. No.: **29/801,236**

(22) Filed: **Jul. 28, 2021**

(51) **LOC (13) Cl.** ..... **08-11**

(52) **U.S. Cl.**  
USPC ..... **D8/368**

(58) **Field of Classification Search**  
USPC ..... D8/367, 356, 354, 349, 18, 105, 368;  
248/341; 224/217; 24/1, 702  
CPC ..... A45F 5/021; A44B 13/0029; F16B 45/00;  
F16M 13/02  
See application file for complete search history.

(56) **References Cited**

**U.S. PATENT DOCUMENTS**

1,377,066	A *	5/1921	Garrabrant	.....	A47H 19/00 24/1
D475,278	S *	6/2003	Williams	.....	D8/367
D519,310	S *	4/2006	Schorling	.....	D6/580
D597,825	S *	8/2009	Ho	.....	D8/367
D618,536	S *	6/2010	Eason	.....	D8/367
7,771,221	B1 *	8/2010	Blackwell	.....	H01R 13/52 439/282
D642,450	S *	8/2011	Freese	.....	D8/367
8,534,626	B1 *	9/2013	Freese	.....	A47G 29/083 24/376

D721,570	S *	1/2015	Caughron	.....	D8/367
9,084,502	B2 *	7/2015	Lapadula	.....	A47H 19/00
D813,654	S *	3/2018	Erickson	.....	D8/367
D848,246	S *	5/2019	Jones	.....	D8/368
D866,304	S	11/2019	Qi		
D891,233	S *	7/2020	Yu	.....	D8/367
D911,154	S	2/2021	Jiao		
D918,022	S *	5/2021	Yu	.....	D8/368
D924,671	S *	7/2021	Yan	.....	D8/368
D924,672	S *	7/2021	Zhang	.....	D8/368

\* cited by examiner

*Primary Examiner* — Cynthia R Underwood

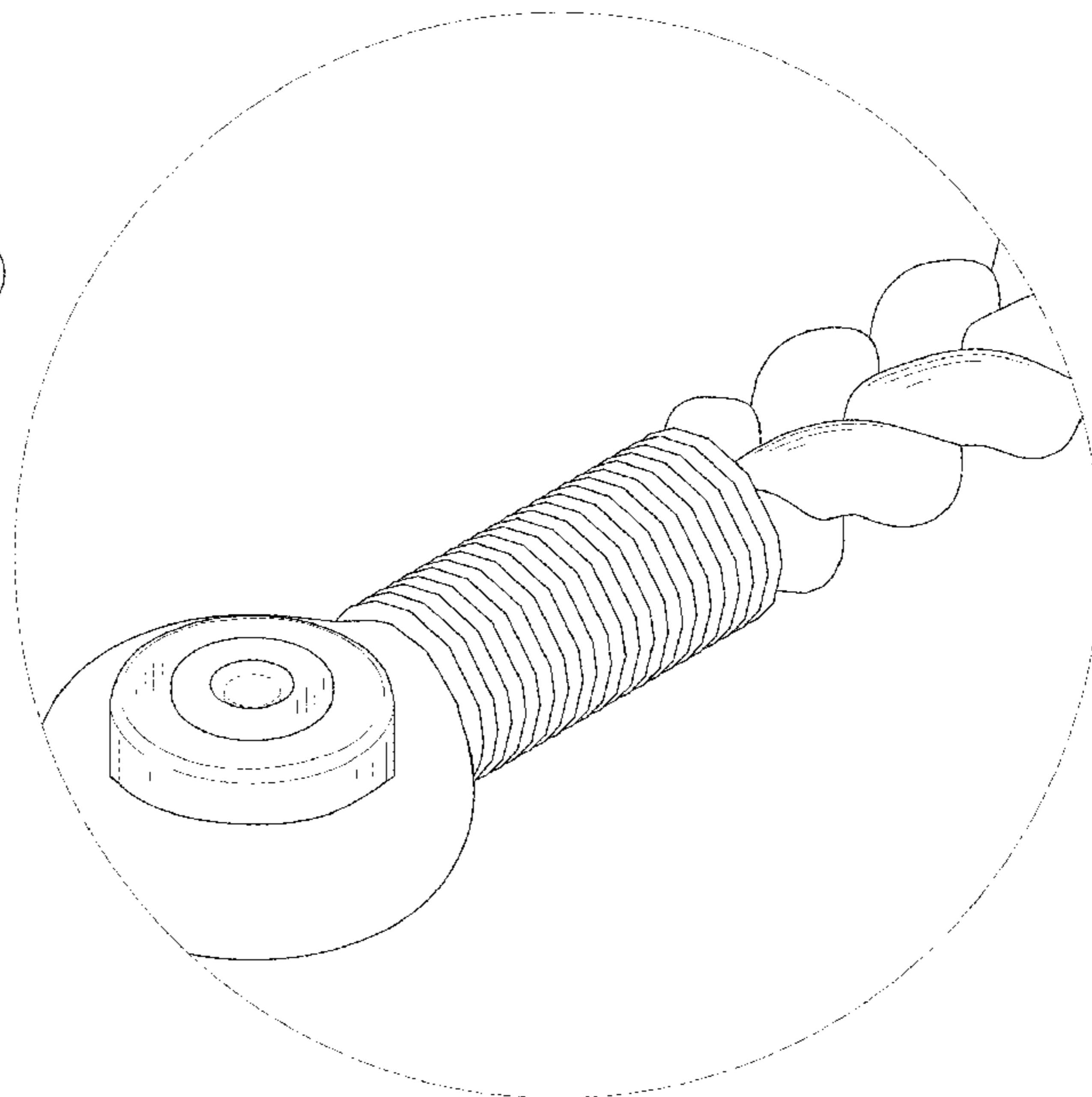
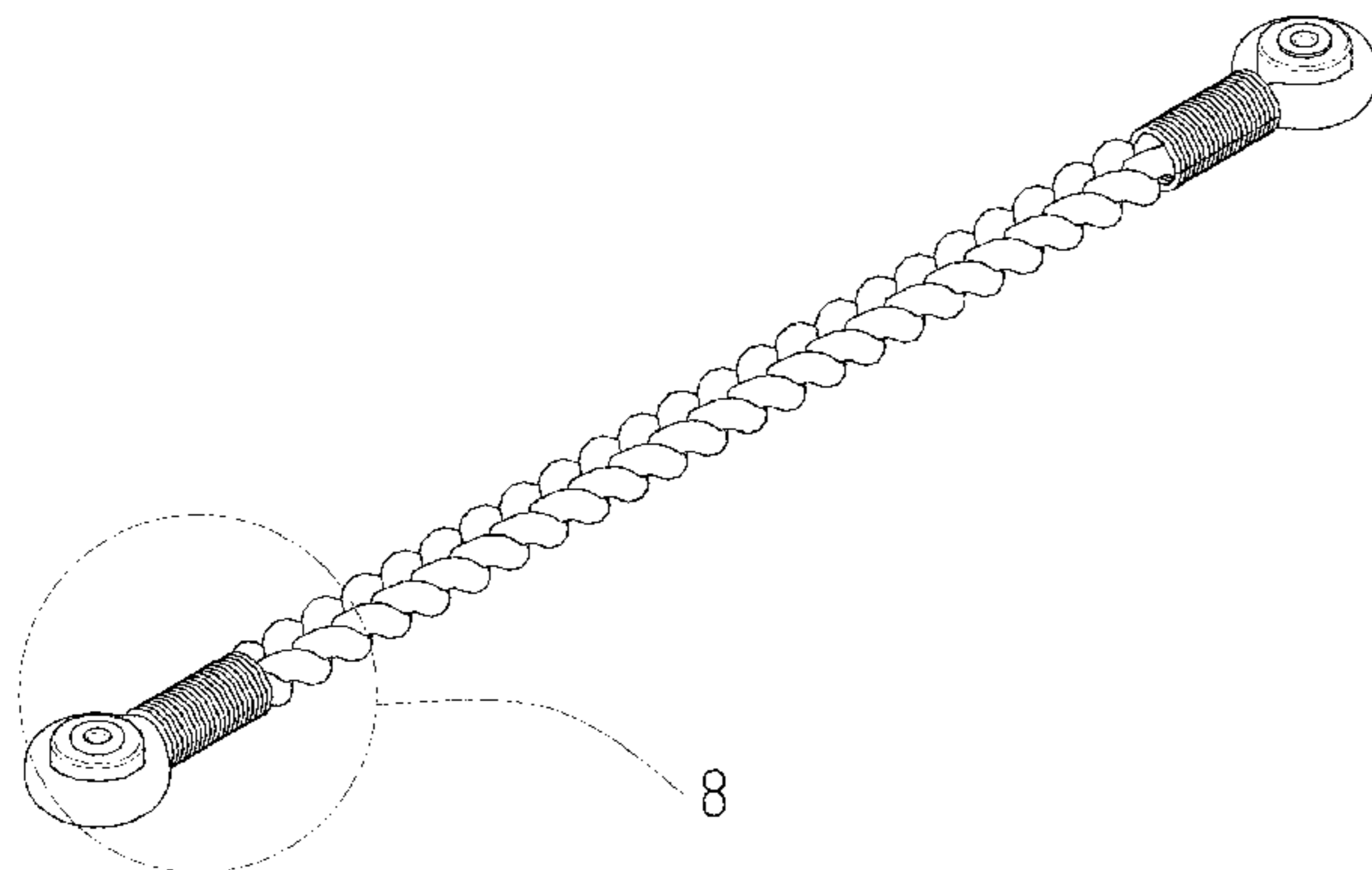
(57) **CLAIM**

The ornamental design for a curtain holdback tie, as shown and described.

**DESCRIPTION**

FIG. 1 is a perspective view of a curtain holdback tie showing my new design;  
FIG. 2 is a front view thereof;  
FIG. 3 is a back view thereof;  
FIG. 4 is a left side view thereof;  
FIG. 5 is a right side view thereof;  
FIG. 6 is a top view thereof;  
FIG. 7 is a bottom view thereof; and,  
FIG. 8 is an enlarged view of the selected portion in FIG. 1.  
The broken lines shown in the drawings depict portions of the curtain holdback tie in which the design is embodied that form no part of the claim. The dot-dash-dot lines marking the location of the enlargement form no part of the claim.

**1 Claim, 8 Drawing Sheets**



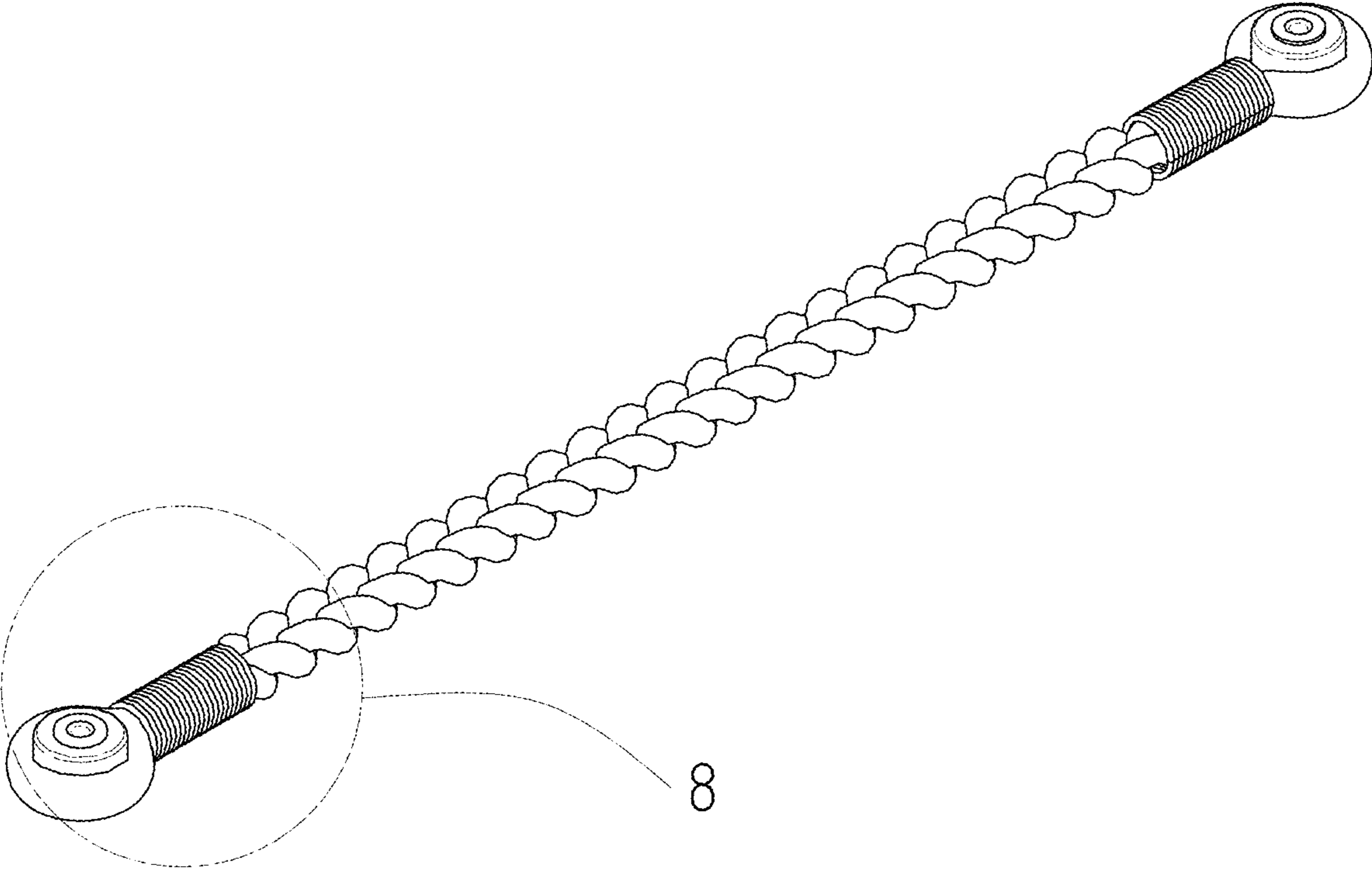


FIG. 1

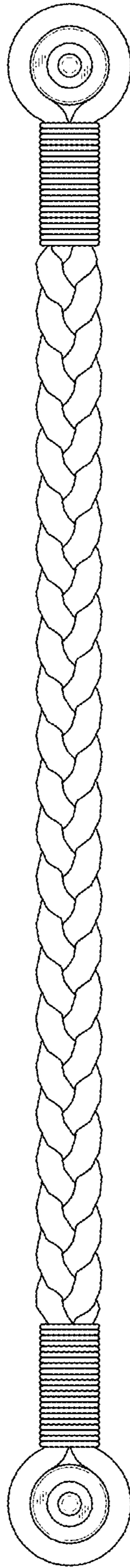


FIG. 2

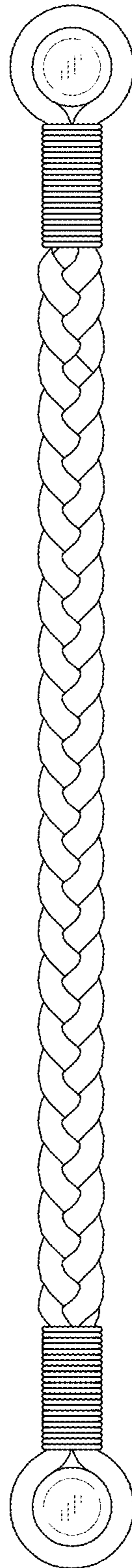


FIG. 3

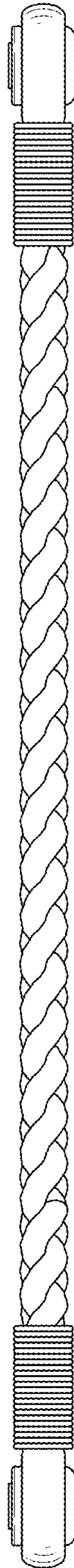


FIG. 4

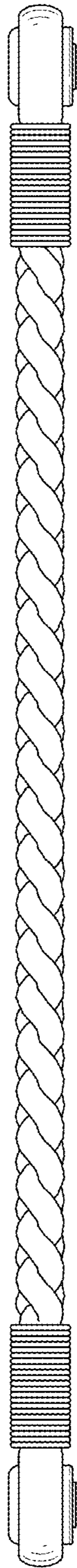


FIG. 5

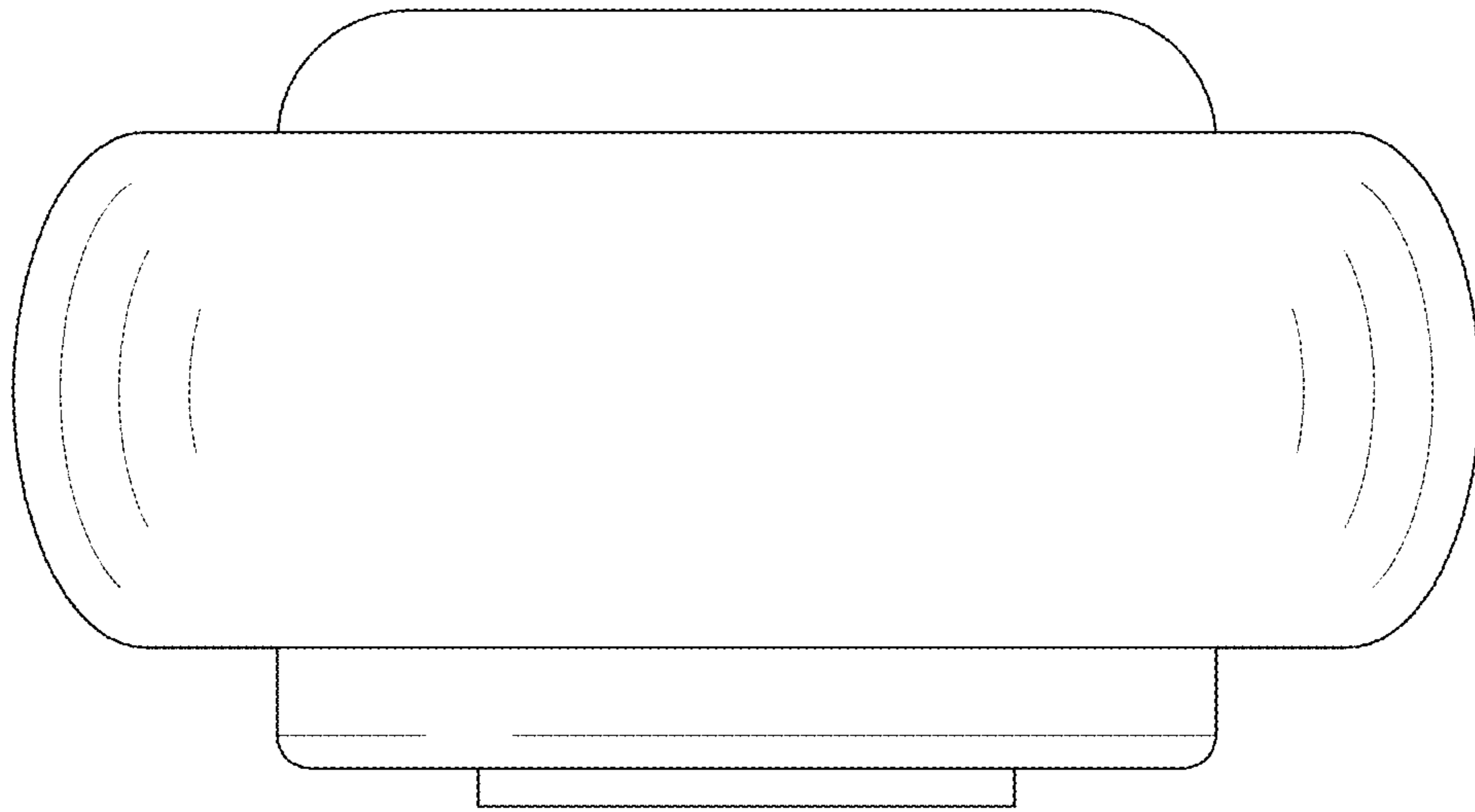


FIG. 6

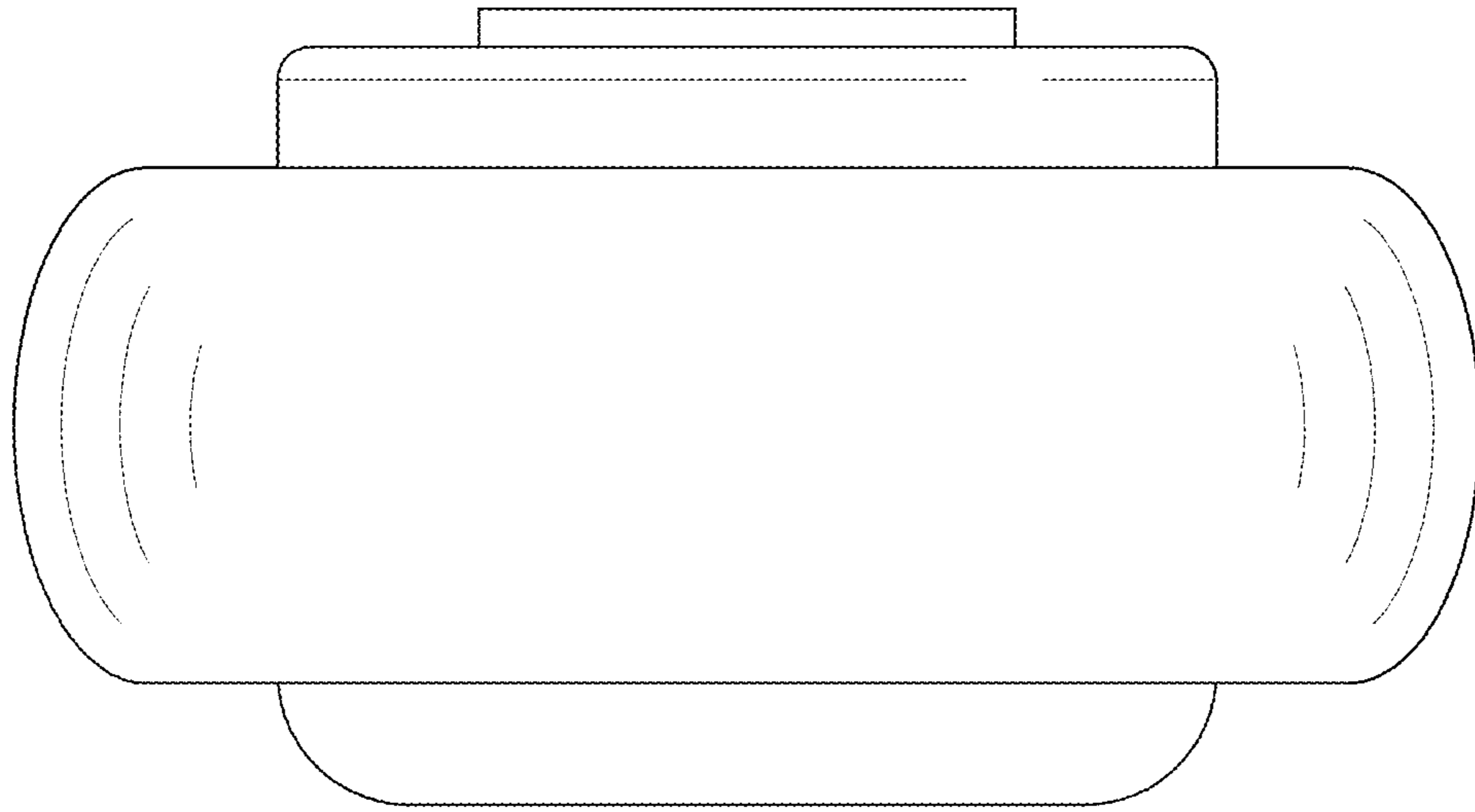


FIG. 7



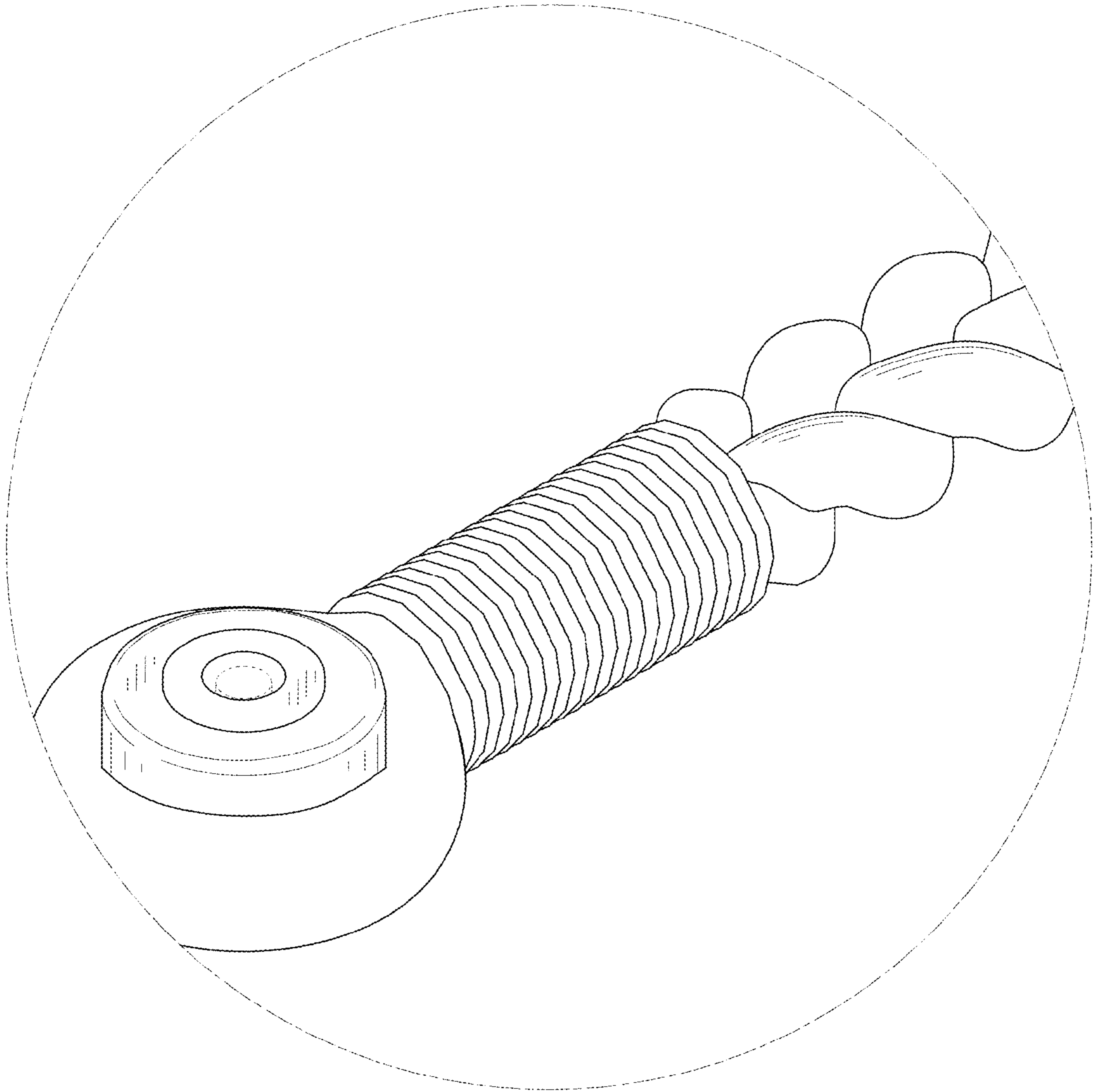


FIG. 8