



US00D952448S

(12) **United States Design Patent** (10) **Patent No.:** **US D952,448 S**  
**Yang** (45) **Date of Patent:** **\*\* May 24, 2022**

(54) **SHEPHERDS HOOK**  
(71) Applicant: **Kaiyi Fang**, Shenzhen (CN)  
(72) Inventor: **Xiaochun Yang**, Shenzhen (CN)  
(73) Assignee: **Kaiyi Fang**, Shenzhen (CN)  
(\*\*) Term: **15 Years**

(21) Appl. No.: **29/797,931**  
(22) Filed: **Jul. 3, 2021**  
(51) **LOC (13) Cl.** ..... **08-11**  
(52) **U.S. Cl.**  
USPC ..... **D8/367**  
(58) **Field of Classification Search**  
USPC ..... D8/367, 354, 349  
CPC ..... A47G 25/0607; A47K 10/04; G09F 17/00  
See application file for complete search history.

(56) **References Cited**

**U.S. PATENT DOCUMENTS**

D434,972 S \* 12/2000 Rehmert ..... D8/367  
D469,340 S \* 1/2003 Rehmert ..... D8/367  
D648,208 S 11/2011 Platt  
D734,134 S \* 7/2015 Bauerle ..... D8/372  
D784,119 S \* 4/2017 Brooks ..... D8/367  
D804,294 S \* 12/2017 Bian ..... D8/367  
D814,909 S \* 4/2018 Lawson ..... D8/367  
10,213,056 B1 \* 2/2019 Gallo ..... A47K 10/04  
D847,617 S \* 5/2019 Brooks ..... D8/367

D860,297 S \* 9/2019 Brooks ..... D16/242  
11,168,833 B2 \* 11/2021 Lawson ..... F16M 13/00  
2006/0016943 A1 \* 1/2006 Thompson ..... A47J 33/00  
248/156  
2017/0251792 A1 \* 9/2017 Brooks ..... E02D 5/801

\* cited by examiner

*Primary Examiner* — Cynthia R Underwood  
(74) *Attorney, Agent, or Firm* — Georgi Korobanov

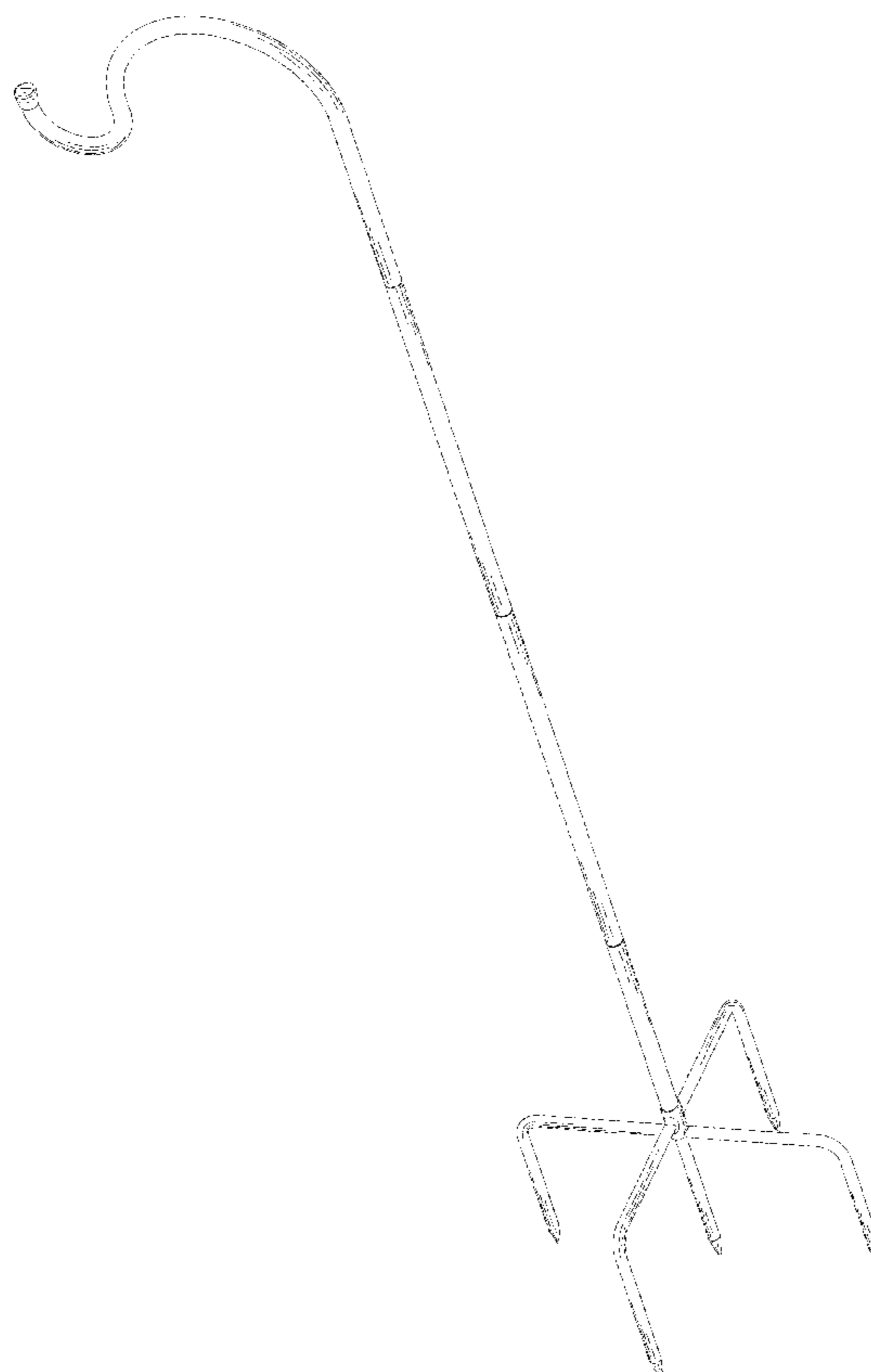
(57) **CLAIM**

The ornamental design for a shepherds hook, as shown and described.

**DESCRIPTION**

FIG. 1 is a perspective view of a shepherds hook showing my new design;  
FIG. 2 is a front view thereof;  
FIG. 3 is a rear view thereof;  
FIG. 4 is a left side view thereof;  
FIG. 5 is a right side view thereof;  
FIG. 6 is a top plan view thereof;  
FIG. 7 is a bottom plan view thereof;  
FIG. 8 is a perspective view of a use state thereof;  
FIG. 9 is an exploded view of use state; and,  
FIG. 10 is an enlarged view of the portion labeled “10” on FIG. 9, the broken lines forming the marker being no part of the claim on either figure.

**1 Claim, 10 Drawing Sheets**



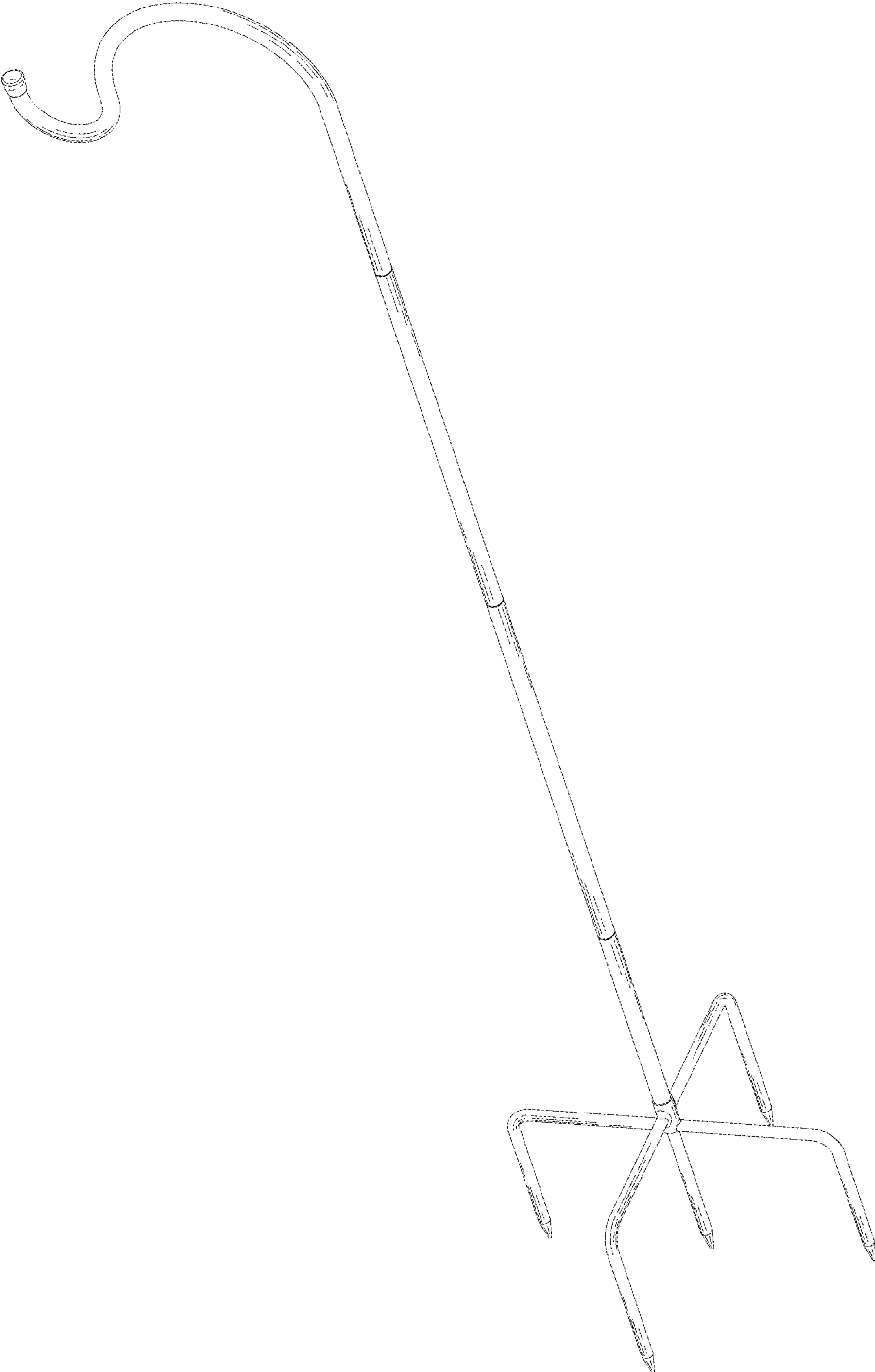


FIG.1

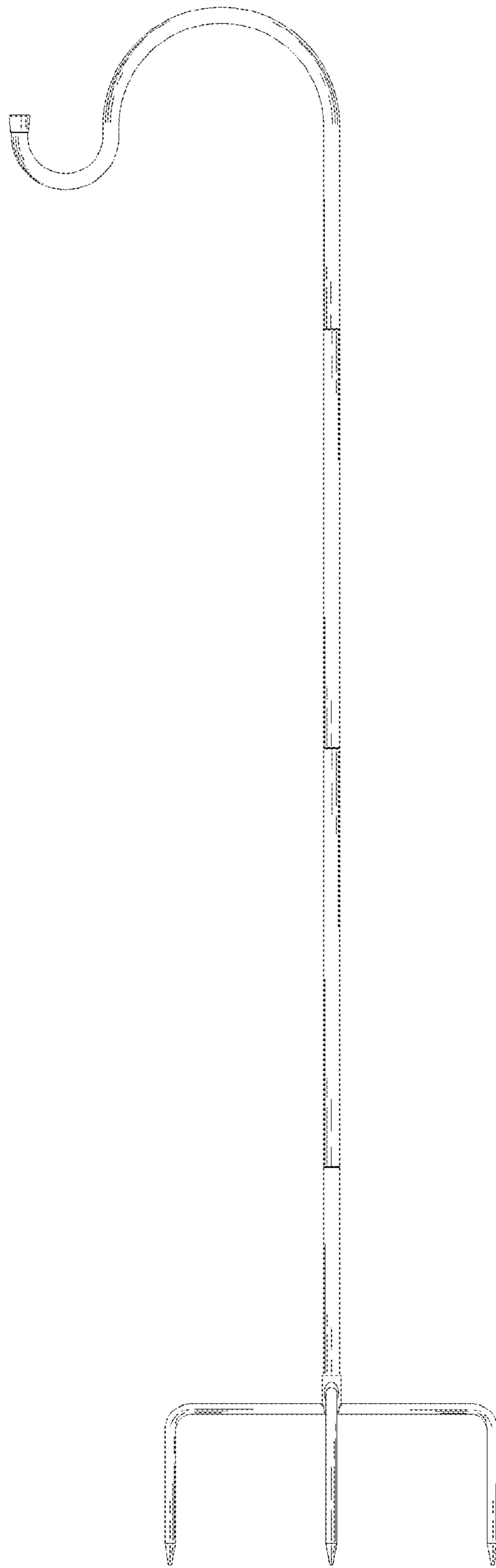


FIG.2

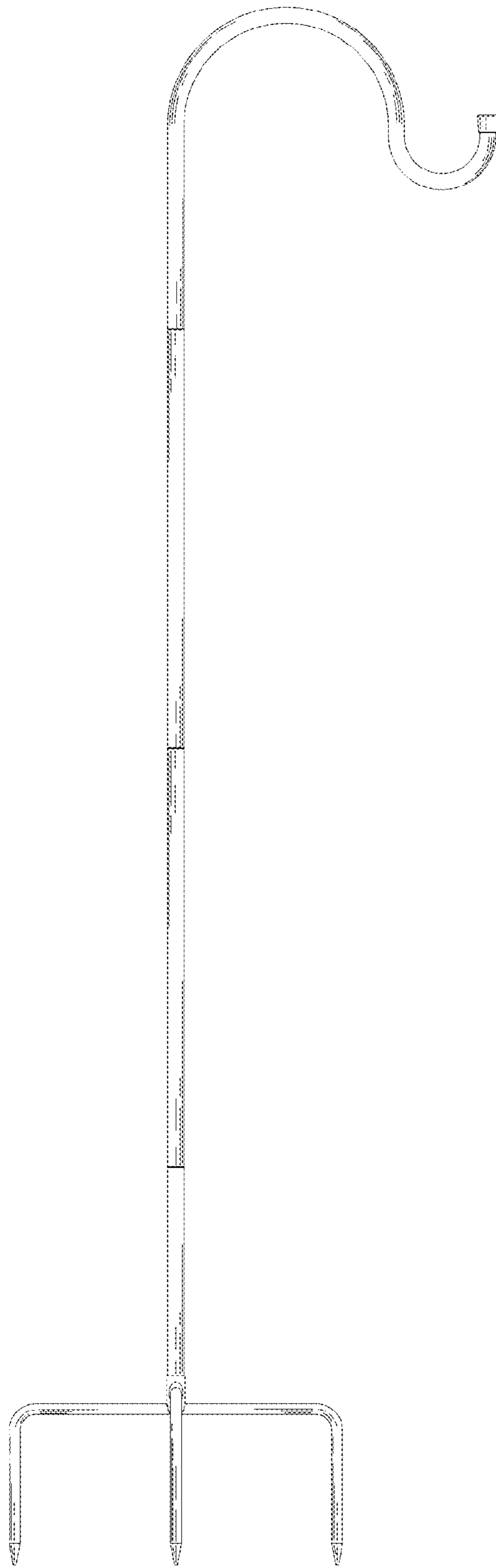


FIG.3

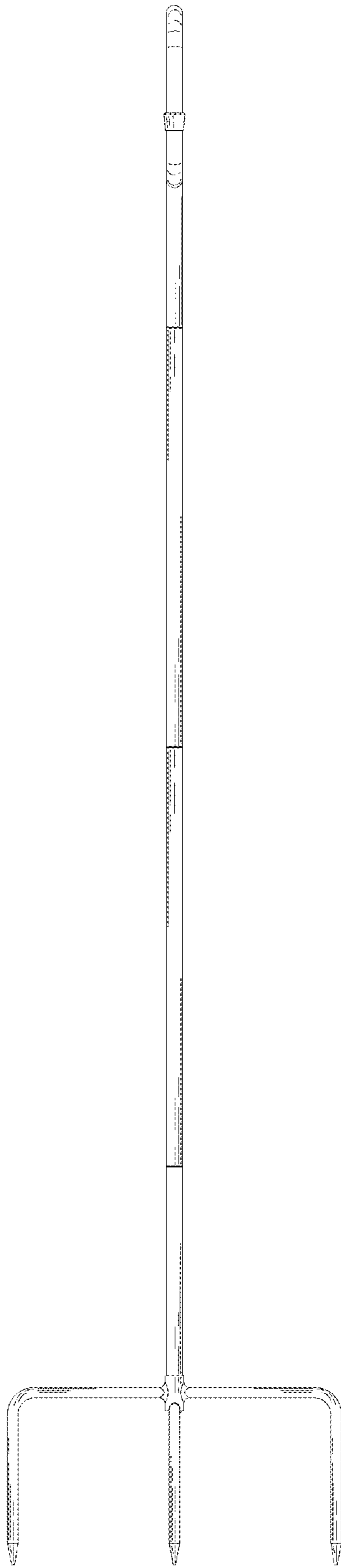


FIG.4

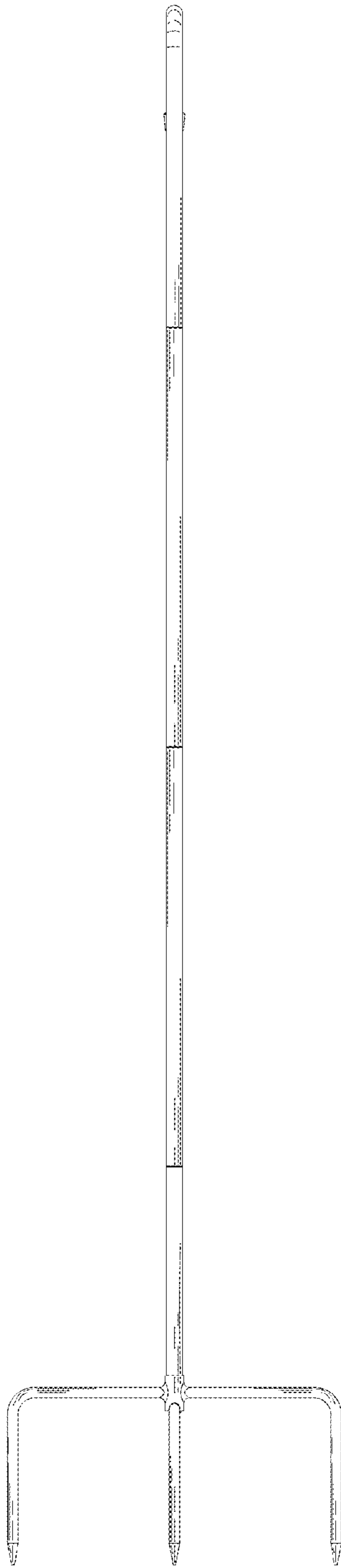


FIG.5

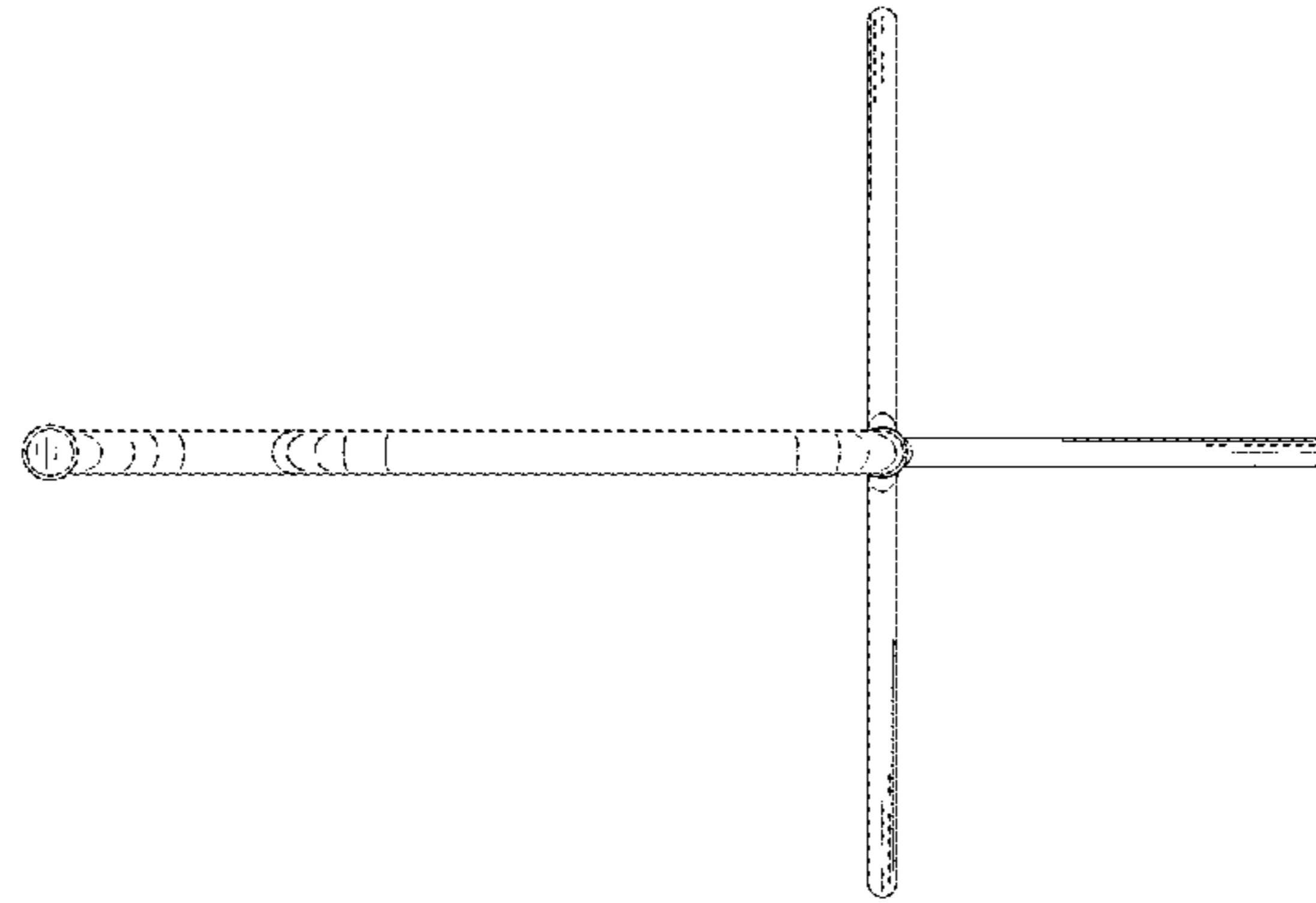


FIG.6

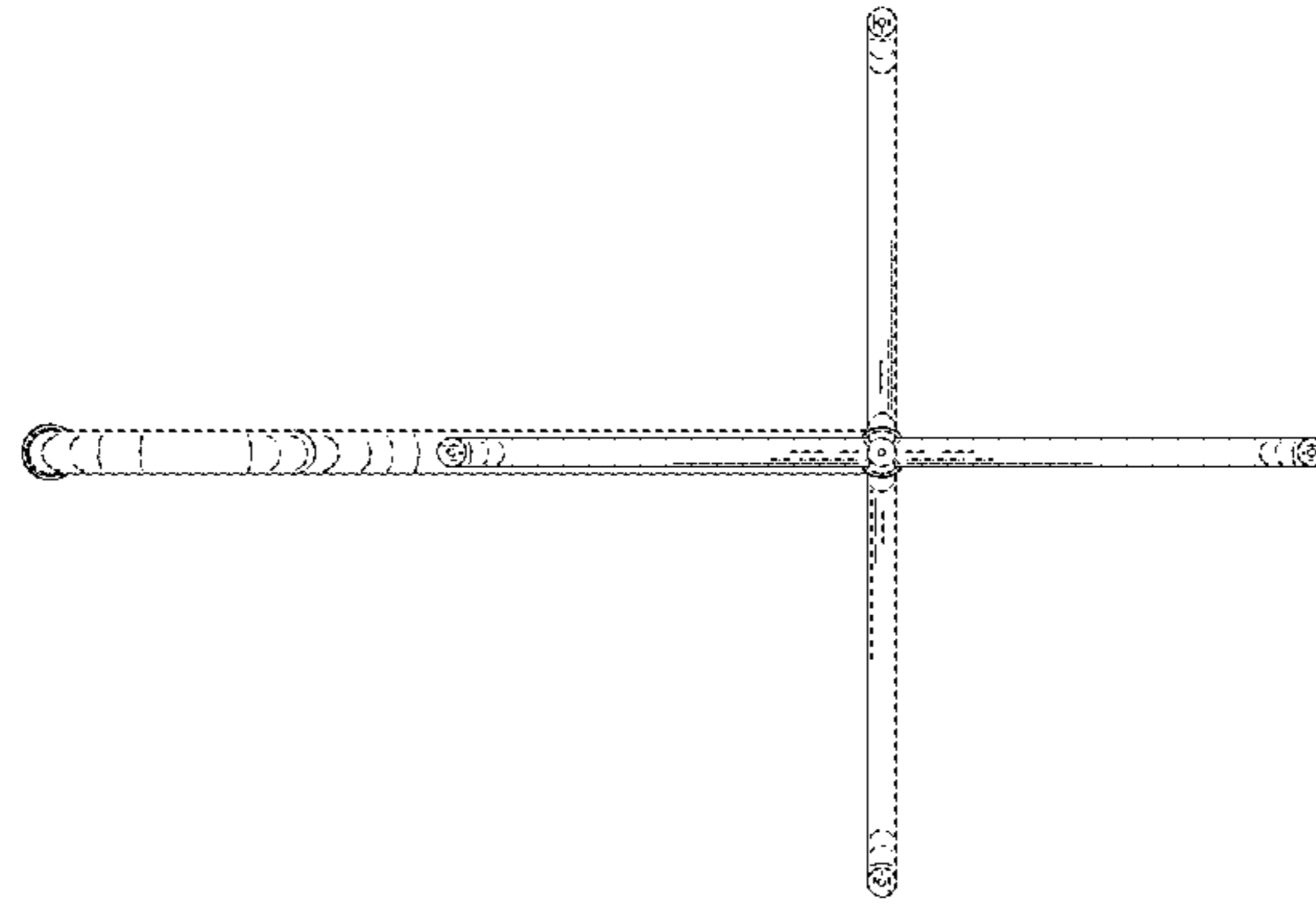


FIG.7





FIG.8

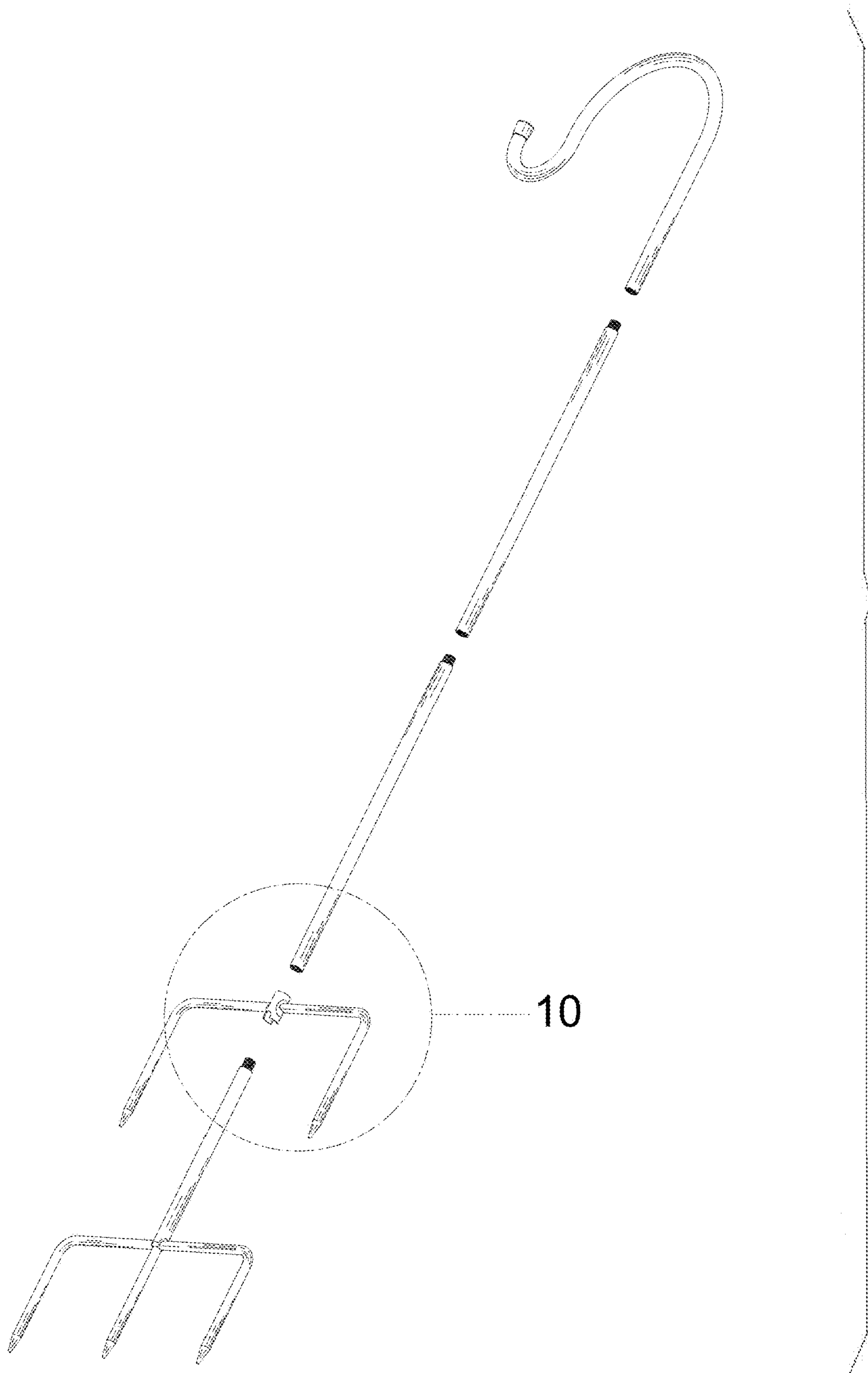


FIG.9

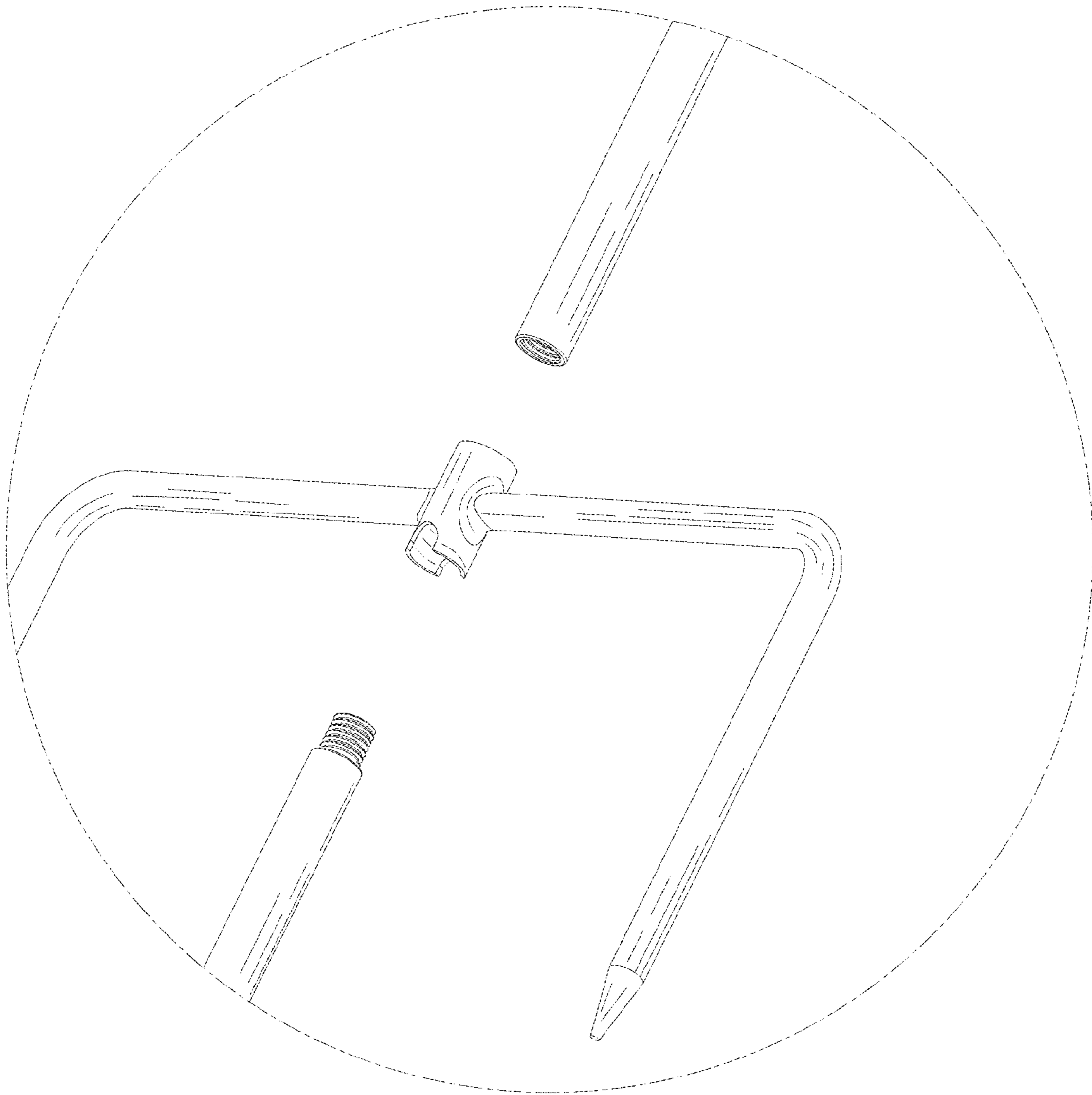


FIG.10