



US00D952444S

(12) **United States Design Patent**
Livingston

(10) **Patent No.:** **US D952,444 S**

(45) **Date of Patent:** **** May 24, 2022**

(54) **CHANNEL PUCK FOR USE IN A RAILED TABLE**

(71) Applicant: **Omni Cubed, Inc.**, Shingle Springs, CA (US)

(72) Inventor: **Larry Leigh Livingston**, Cameron Park, CA (US)

(73) Assignee: **OMNI CUBED, INC.**, Shingle Springs, CA (US)

(**) Term: **15 Years**

(21) Appl. No.: **29/745,533**

(22) Filed: **Aug. 6, 2020**

Related U.S. Application Data

(63) Continuation-in-part of application No. 16/939,001, filed on Jul. 26, 2020, now abandoned, and a continuation-in-part of application No. 29/744,474, filed on Jul. 29, 2020, now Pat. No. Des. 948,316, and a continuation-in-part of application No. 16/986,268, filed on Aug. 6, 2020, now Pat. No. 11,089,868.

(51) **LOC (13) Cl.** **08-05**

(52) **U.S. Cl.**
USPC **D8/354**; D8/382

(58) **Field of Classification Search**
USPC D8/382, 393, 394, 402, 403, 384;
D6/300, 707

CPC A47G 1/10; F16B 12/24; A47B 2230/0062
See application file for complete search history.

(56) **References Cited**

U.S. PATENT DOCUMENTS

D309,985 S * 8/1990 Cox D6/300
5,090,835 A * 2/1992 Cox F16B 12/24
403/294

D377,601 S * 1/1997 Kozyrski D6/300
D384,271 S * 9/1997 Kozyrski D6/300

8,147,162 B1 * 4/2012 Burnett F16B 5/0052
403/292

9,810,253 B2 * 11/2017 Koelling F16B 12/24
10,197,081 B2 * 2/2019 Koelling A47B 47/025

(Continued)

Primary Examiner — Keli L Hill

Assistant Examiner — Harold E Blackwell, II

(74) *Attorney, Agent, or Firm* — Manuel de la Cerra

(57) **CLAIM**

The ornamental design for a channel puck for use in a railed table, as shown and described.

DESCRIPTION

FIG. 1 is a top perspective view of a channel puck for use in a railed table, with a round unclaimed top.

FIG. 2 is a bottom perspective view thereof.

FIG. 3 is a top perspective view thereof shown inserted into a railed table.

FIG. 4 is a front view thereof.

FIG. 5 is a left-side view thereof (right-side view being a mirror image thereof).

FIG. 6 is a top view thereof.

FIG. 7 is a bottom view thereof.

FIG. 8 is a front view thereof shown inserted into a railed table.

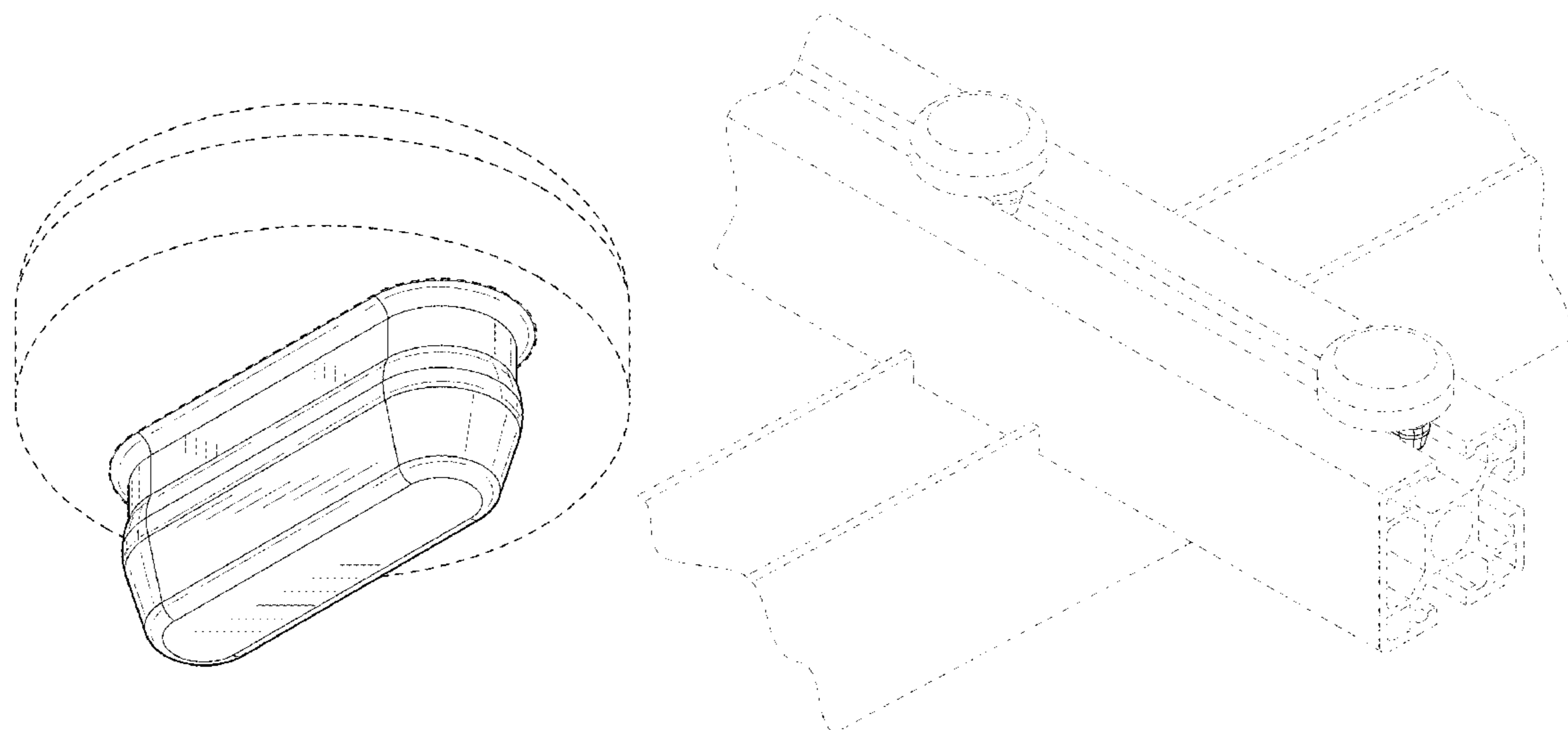
FIG. 9 is a top perspective view of a channel puck for use in a railed table, with a square unclaimed top.

FIG. 10 is a top perspective view of a channel puck for use in a railed table, with a hexagonal unclaimed top; and,

FIG. 11 is a top perspective view of a channel puck for use in a railed table, with a rounded- corner rectangular unclaimed top.

The broken lines in FIGS. 1-11 showing the top of the channel puck forms no part of the claimed design. The broken line showing of parts of the drawings in FIGS. 3 and 8 are included for the purpose of illustrating use and environment, and forms no part of the claimed design.

1 Claim, 7 Drawing Sheets



(56)

References Cited

U.S. PATENT DOCUMENTS

D883,778 S * 5/2020 Koelling A47B 47/025
D8/402
D883,779 S * 5/2020 Koelling A47B 47/025
D8/402
10,711,942 B2 * 7/2020 Dang F16M 13/025
11,089,868 B1 * 8/2021 Livingston, Jr. B25H 1/10
2003/0026651 A1 * 2/2003 Ley E06B 3/96
403/401
2011/0085853 A1 * 4/2011 Liu F16B 12/22
403/381
2012/0321378 A1 * 12/2012 Velez, Jr. F16B 12/46
403/300
2013/0239509 A1 * 9/2013 Wang F16B 12/125
52/704
2013/0287484 A1 * 10/2013 Phillips A47B 47/0025
403/298
2017/0023041 A1 * 1/2017 Koelling F16B 12/22
2017/0023043 A1 * 1/2017 Koelling F16B 12/22

* cited by examiner

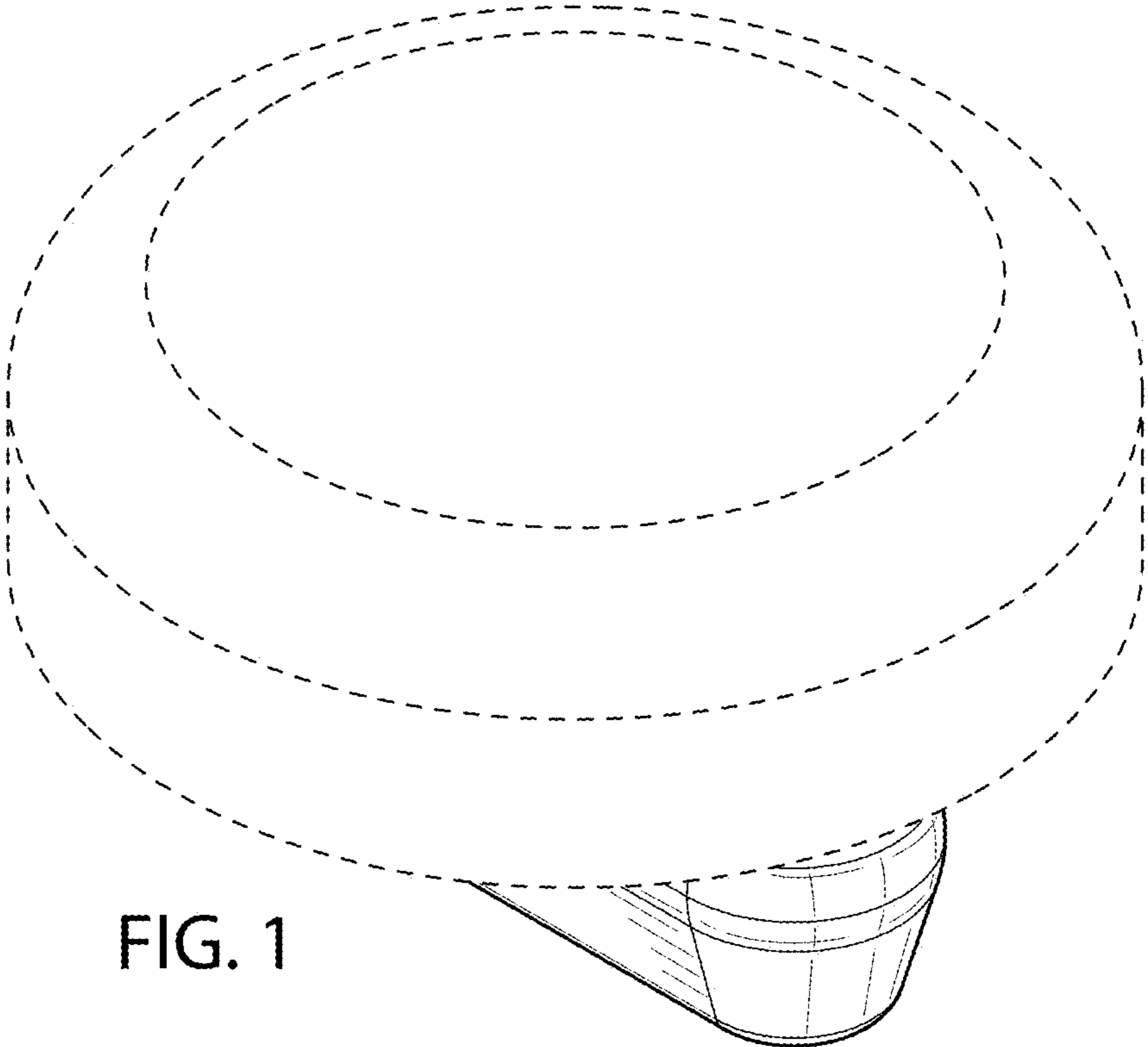


FIG. 1

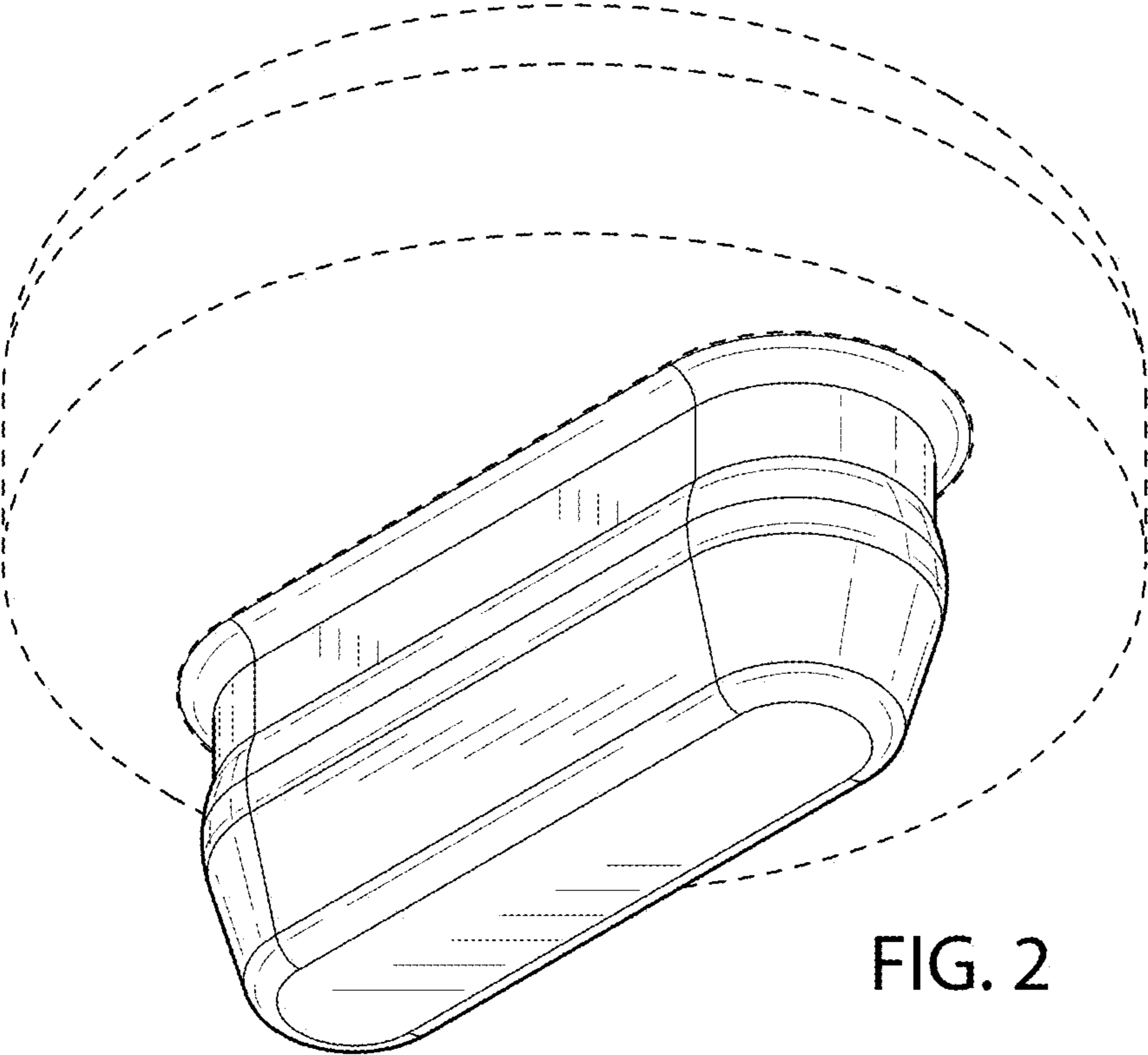


FIG. 2

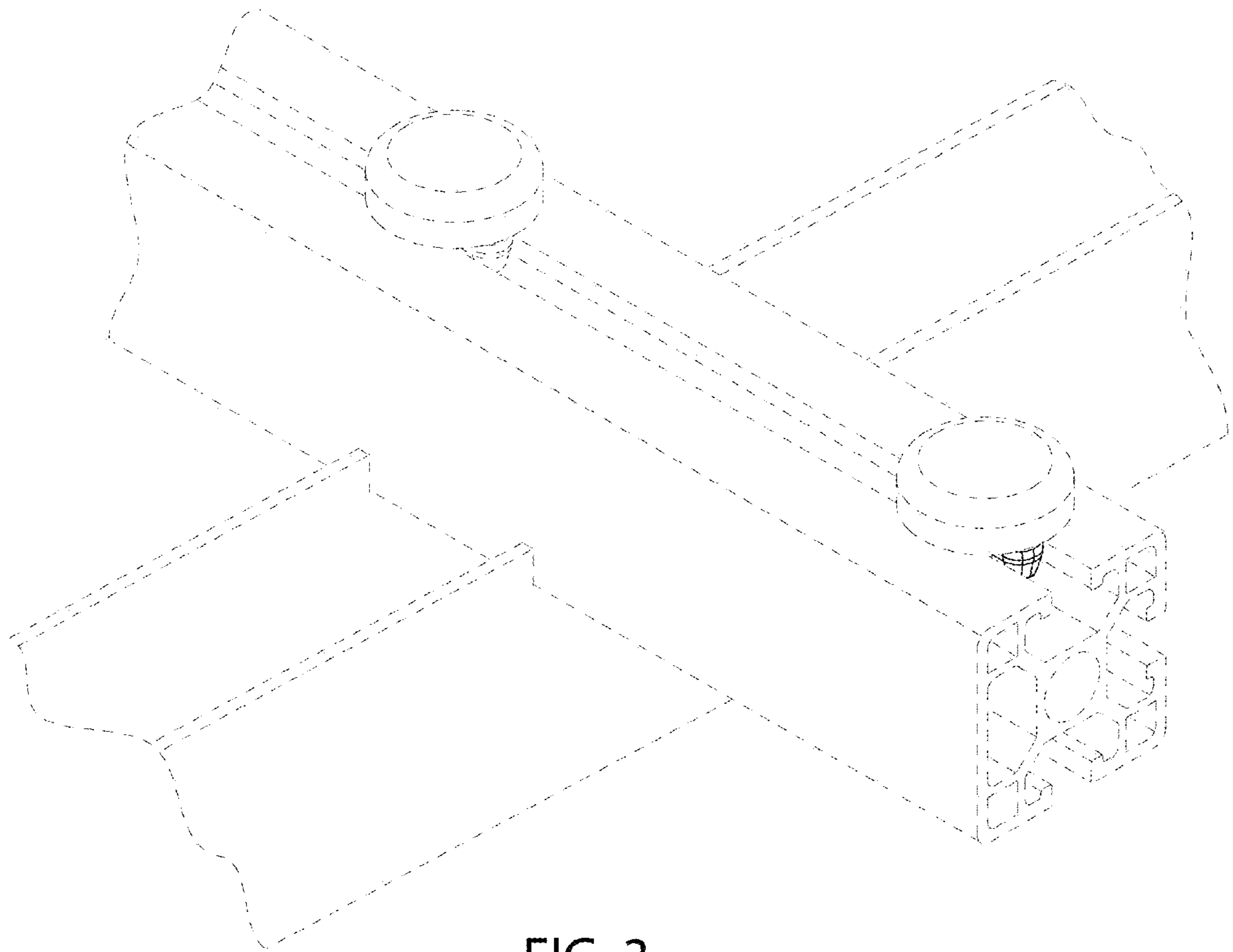


FIG. 3

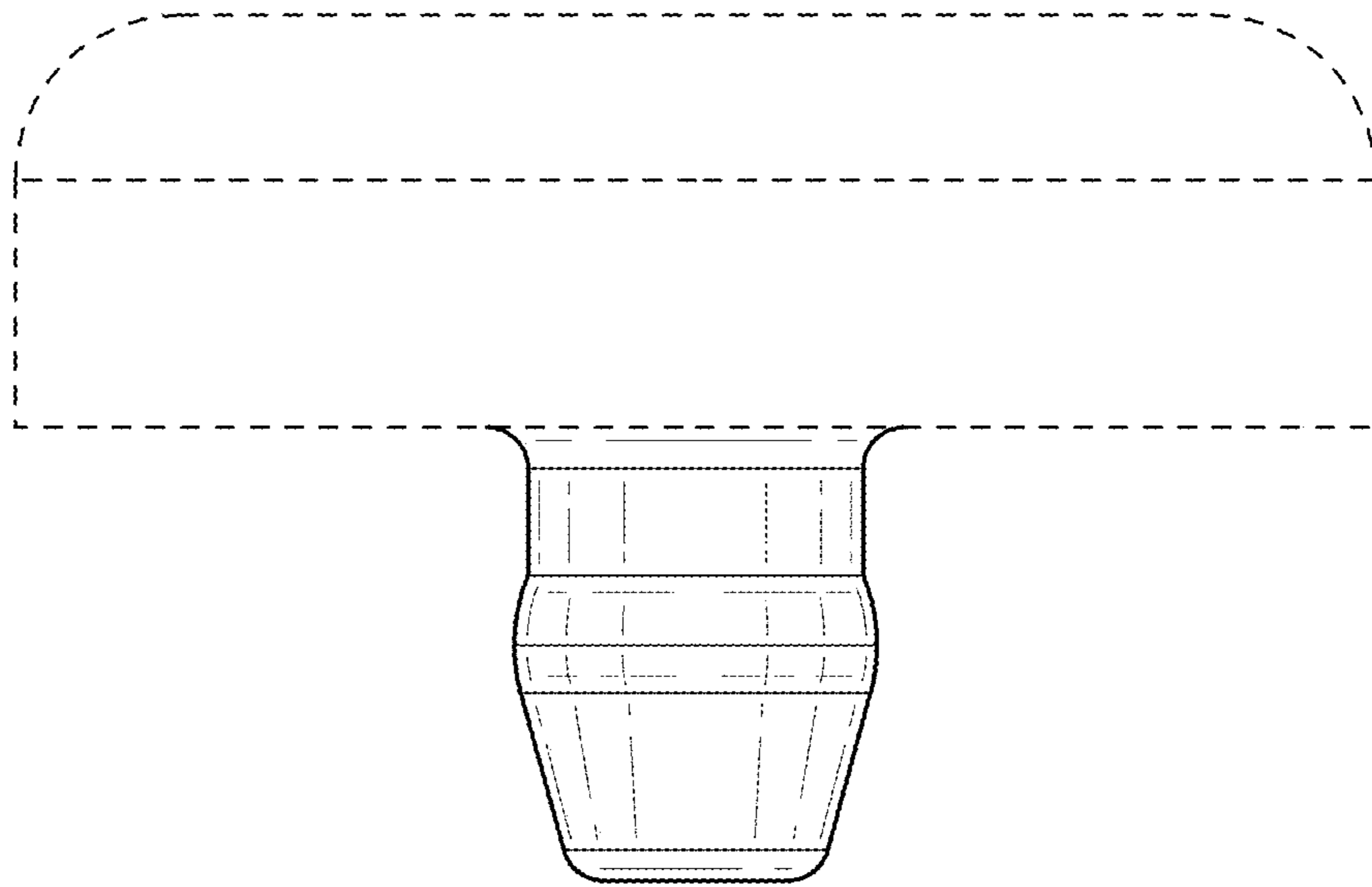


FIG. 4

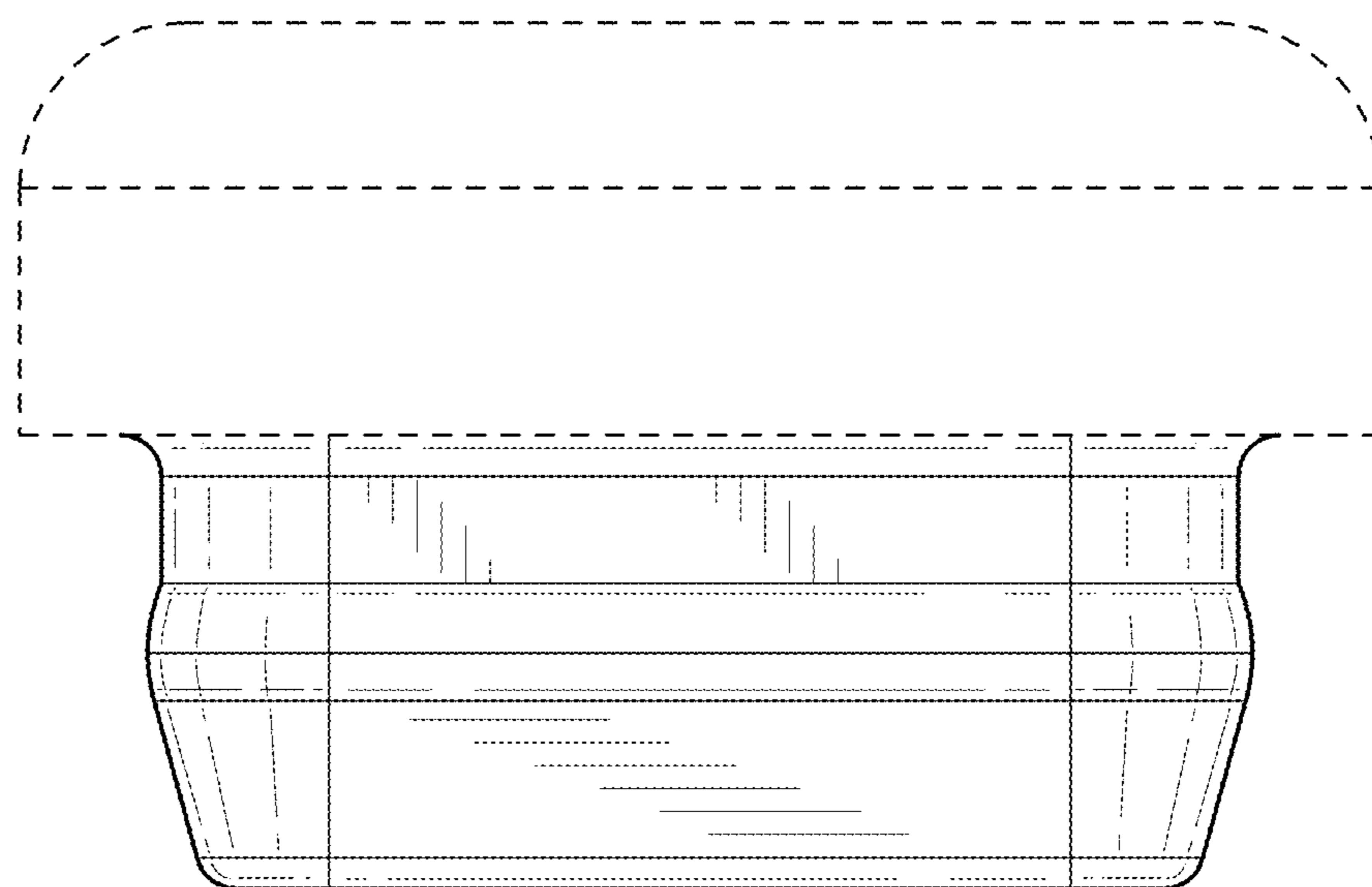


FIG. 5

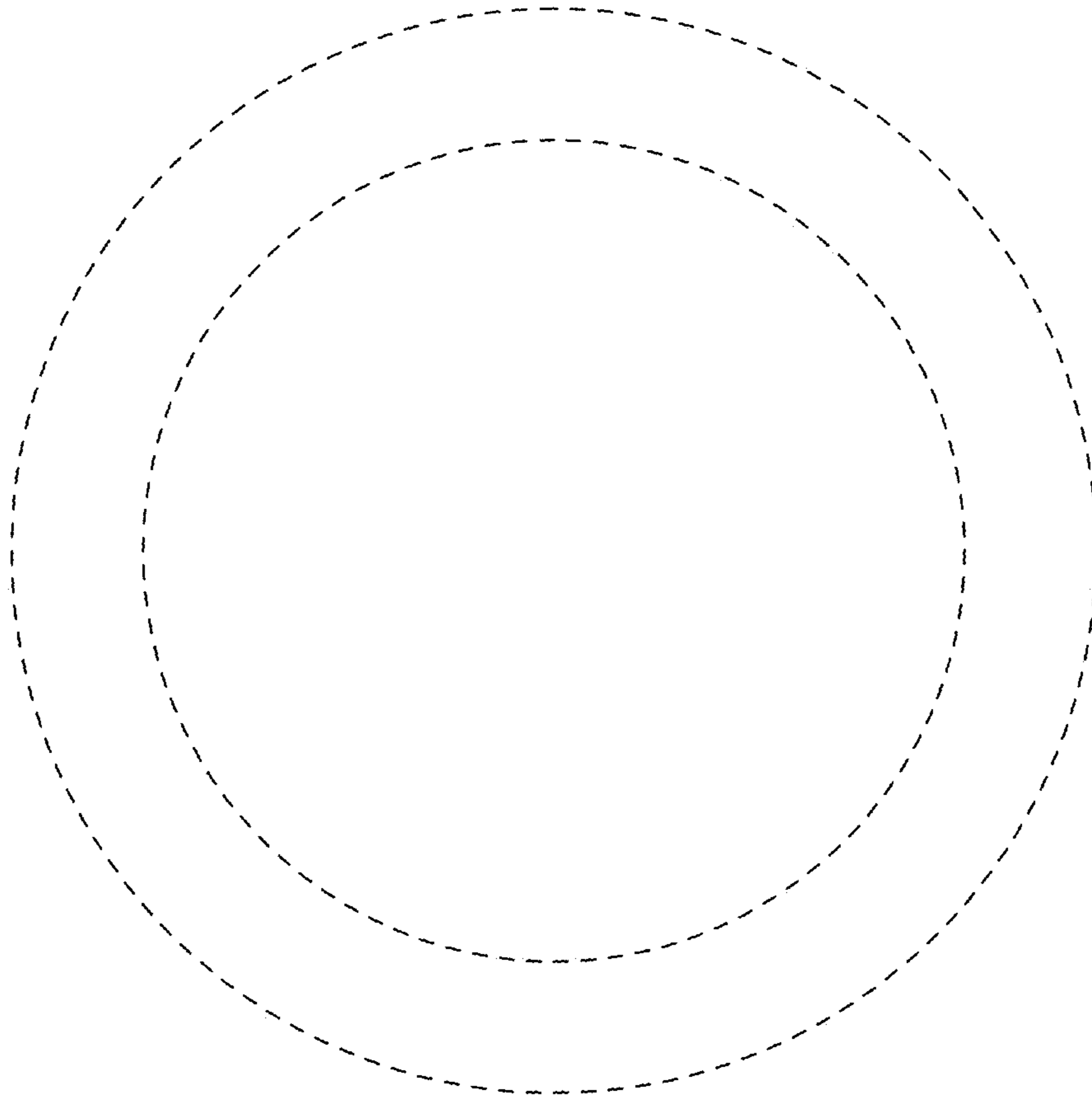


FIG. 6

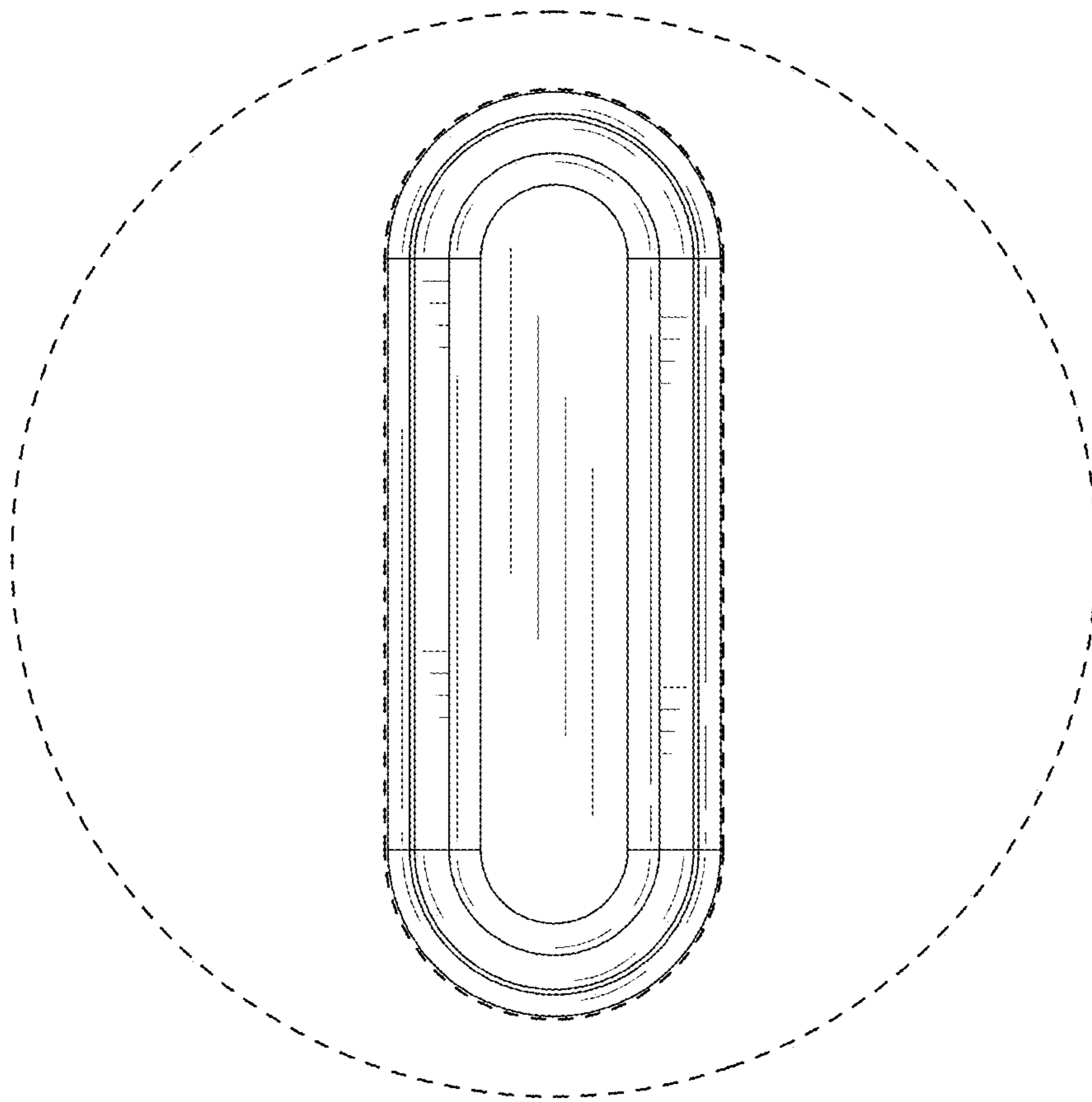


FIG. 7

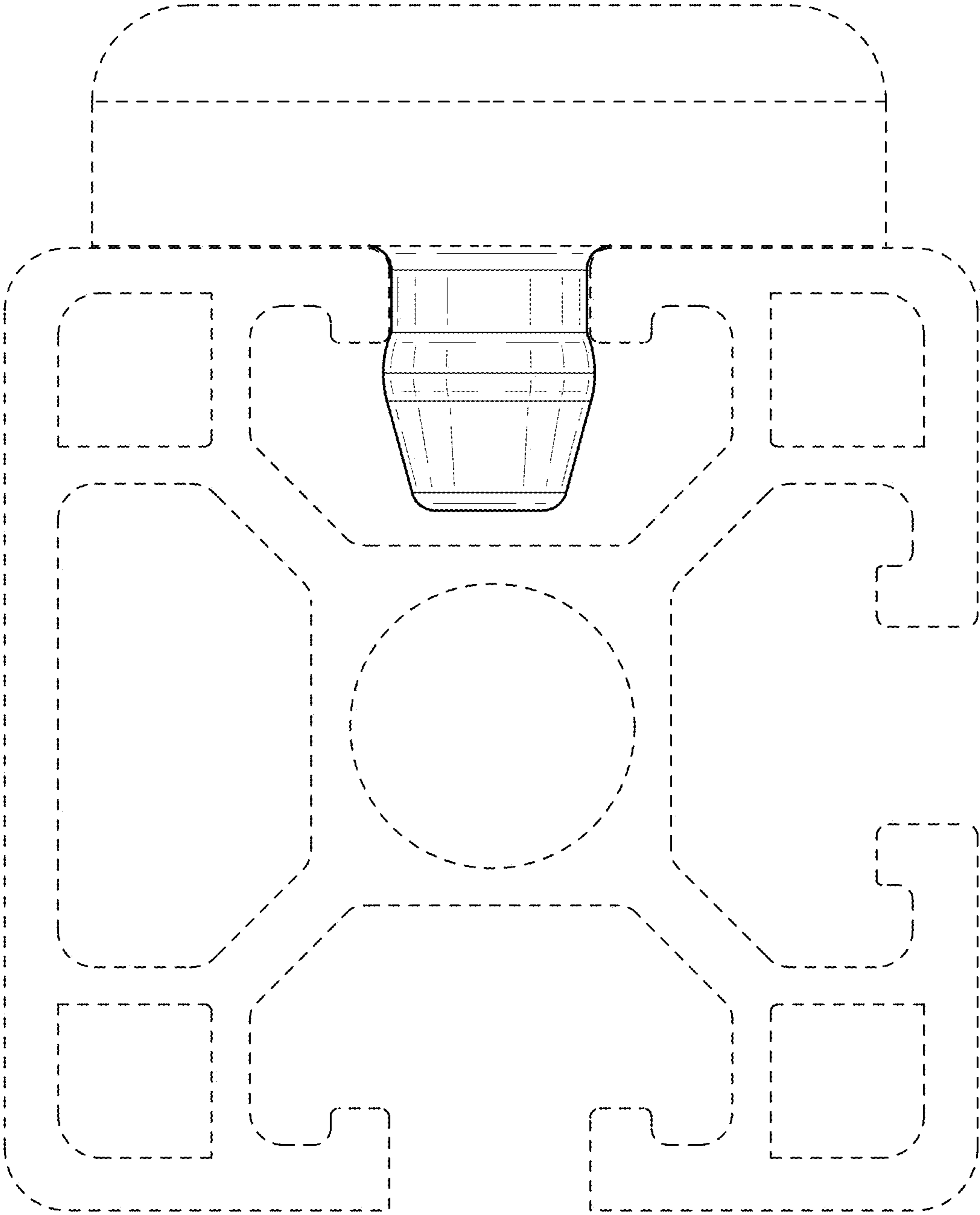


FIG. 8

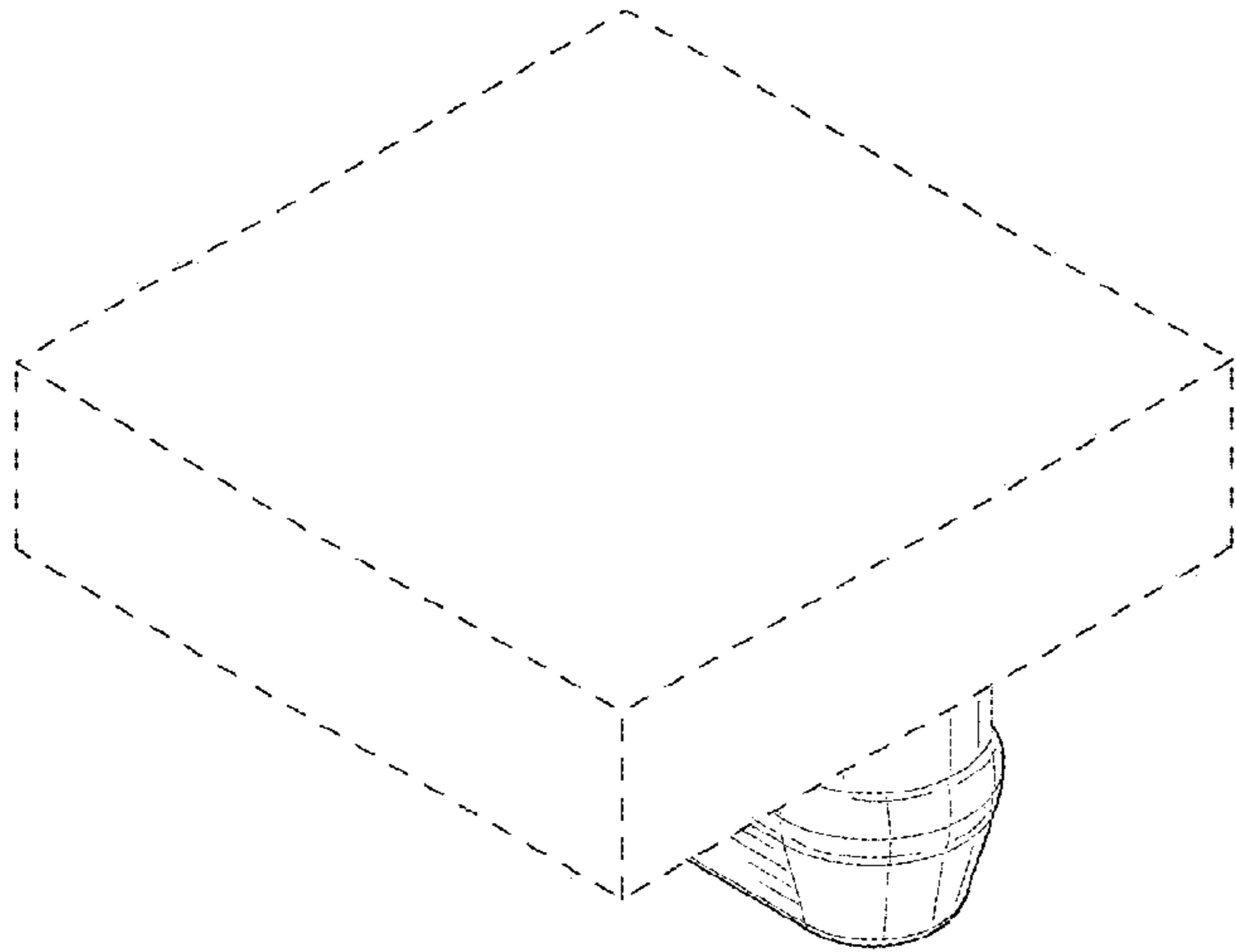


FIG. 9

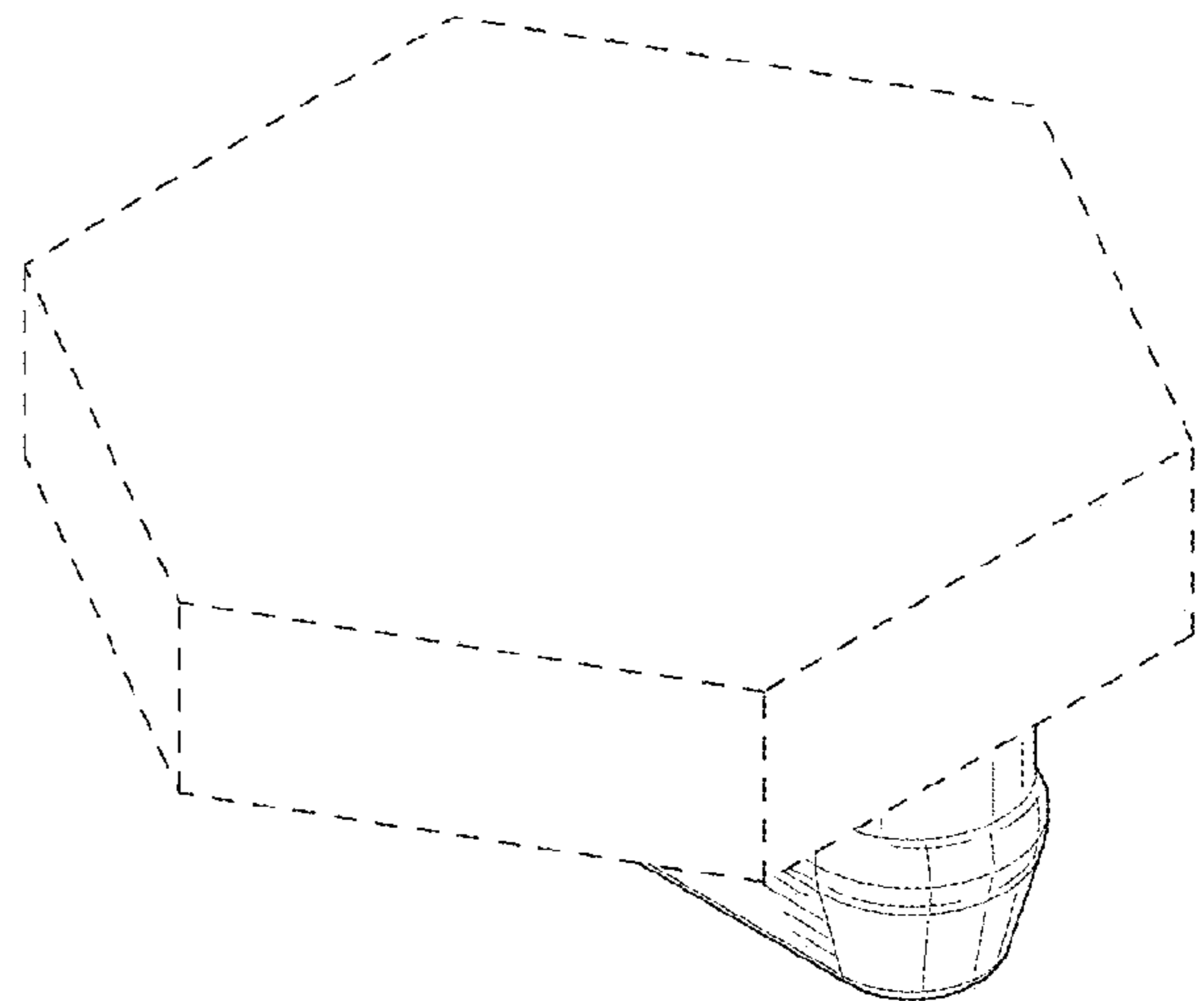


FIG. 10

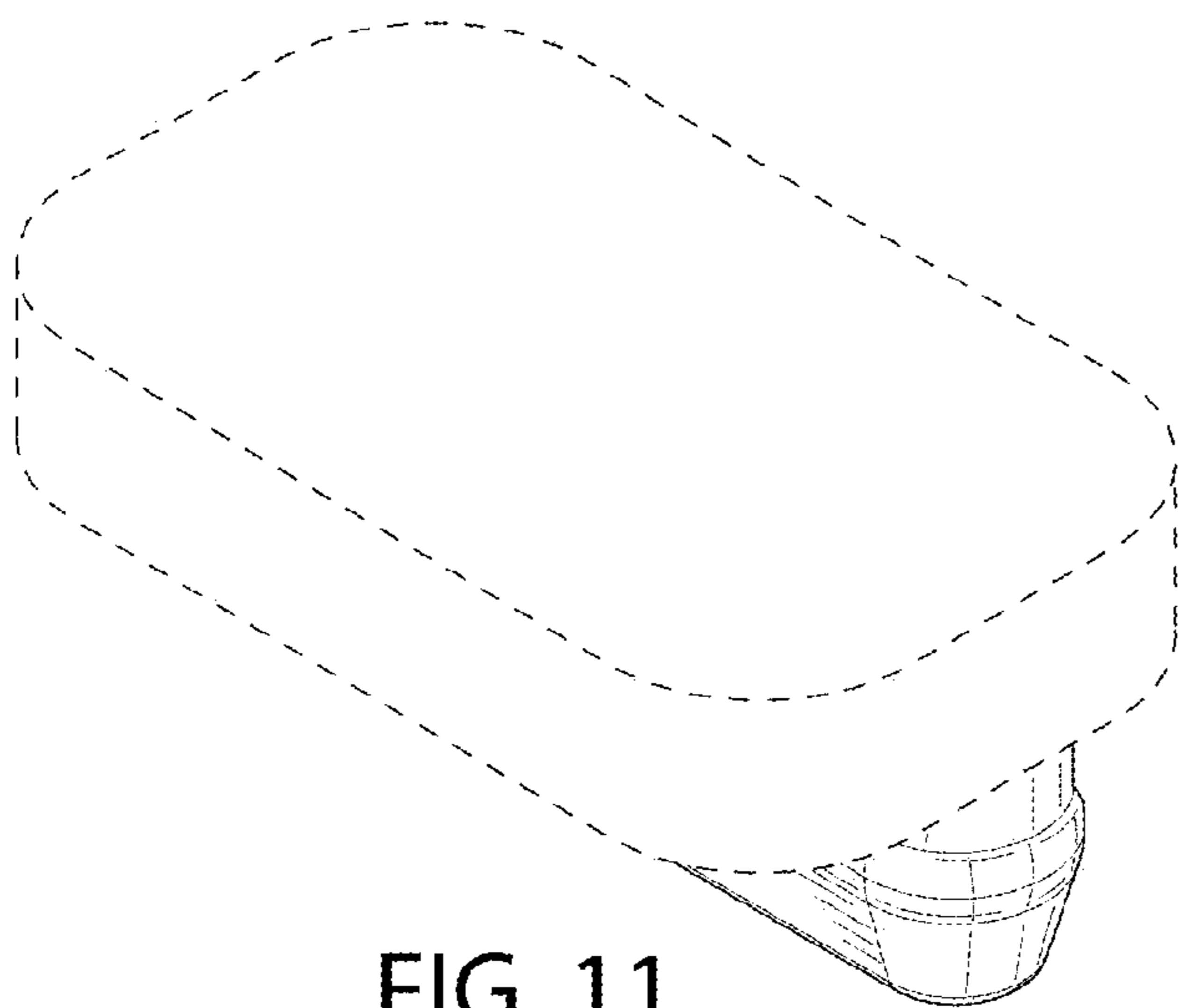


FIG. 11