



US00D952442S

(12) **United States Design Patent** (10) **Patent No.:** **US D952,442 S**  
**Comalander** (45) **Date of Patent:** **\*\* May 24, 2022**

(54) **CAP FOR A WEDGE BLOCK**  
(71) Applicant: **Comalander Fabrication and Services, LLC**, Beaumont, TX (US)

(72) Inventor: **Christopher R. Comalander**, Beaumont, TX (US)

(73) Assignee: **Comalander Fabrication and Services, LLC**, Beaumont, TX (US)

(\*\*) Term: **15 Years**

(21) Appl. No.: **29/688,019**

(22) Filed: **Apr. 17, 2019**

(51) **LOC (13) Cl.** ..... **08-07**

(52) **U.S. Cl.**  
USPC ..... **D8/346**

(58) **Field of Classification Search**  
USPC ..... D32/25, 67; D8/349, 354-355, 382-383, D8/394, 380, 74, 346; D25/59, 61-62, D25/66-67, 126-127, 133-134  
CPC ..... F16L 3/02; F16L 1/0246; F16L 1/0243; F16L 1/10; F16L 3/00; F16L 3/1218; F16L 3/2235; F16L 3/26  
See application file for complete search history.

(56) **References Cited**

**U.S. PATENT DOCUMENTS**

5,002,478	A *	3/1991	Lupke	.....	B29C 49/0021
					425/325
D447,815	S *	9/2001	O'Brien	.....	D25/56
D452,328	S *	12/2001	O'Brien	.....	D25/56
7,090,173	B2	8/2006	Lussier		
D589,337	S *	3/2009	Karlsson	.....	D8/394
D600,829	S *	9/2009	Munakata	.....	D25/126
D600,831	S *	9/2009	Munakata	.....	D25/126
D634,445	S *	3/2011	Mason	.....	D25/56
D676,576	S *	2/2013	Oetlinger	.....	D25/121
8,807,492	B2	8/2014	Lake		
D715,339	S *	10/2014	Oetlinger	.....	D15/138
D751,884	S *	3/2016	Morris	.....	D8/349

D755,043 S \* 5/2016 Bailey ..... D8/394  
D758,834 S \* 6/2016 Tally ..... D8/380  
D761,096 S \* 7/2016 Pace ..... D8/382

(Continued)

**OTHER PUBLICATIONS**

AL Shim for 2.5, Date Visited: Apr. 9, 2021, rukse, Date Available: Apr. 9, 2021, <https://www.rukse.com/shop-full-width/jop-parts/xj/jop-rk3102/> (Year: 2021).\*

Candy Color Blue and Pink Silicone Washboard, Date Visited: Apr. 9, 2021, rukse, Date Available: Dec. 2, 2016, <https://www.amazon.co.uk/AKOAK-Silicone-Washboard-Creative-Handheld/dp/B01N9CY36Y> (Year: 2016).\*

(Continued)

*Primary Examiner* — Janice Hallmark

*Assistant Examiner* — Elizabeth S Ko

(74) *Attorney, Agent, or Firm* — Peter L. Brewer; Thrive IP

(57) **CLAIM**

The ornamental design for a cap for a wedge block, as shown and described.

**DESCRIPTION**

FIG. 1 is a first perspective view of a cap for a wedge block that may be used as part of a pipe support system, showing my new design.

FIG. 2 is a second perspective view of the cap for a wedge block of FIG. 1.

FIG. 3 is a top plan view thereof.

FIG. 4 is a bottom plan view thereof.

FIG. 5 is a front plan view thereof.

FIG. 6 is a rear plan view thereof.

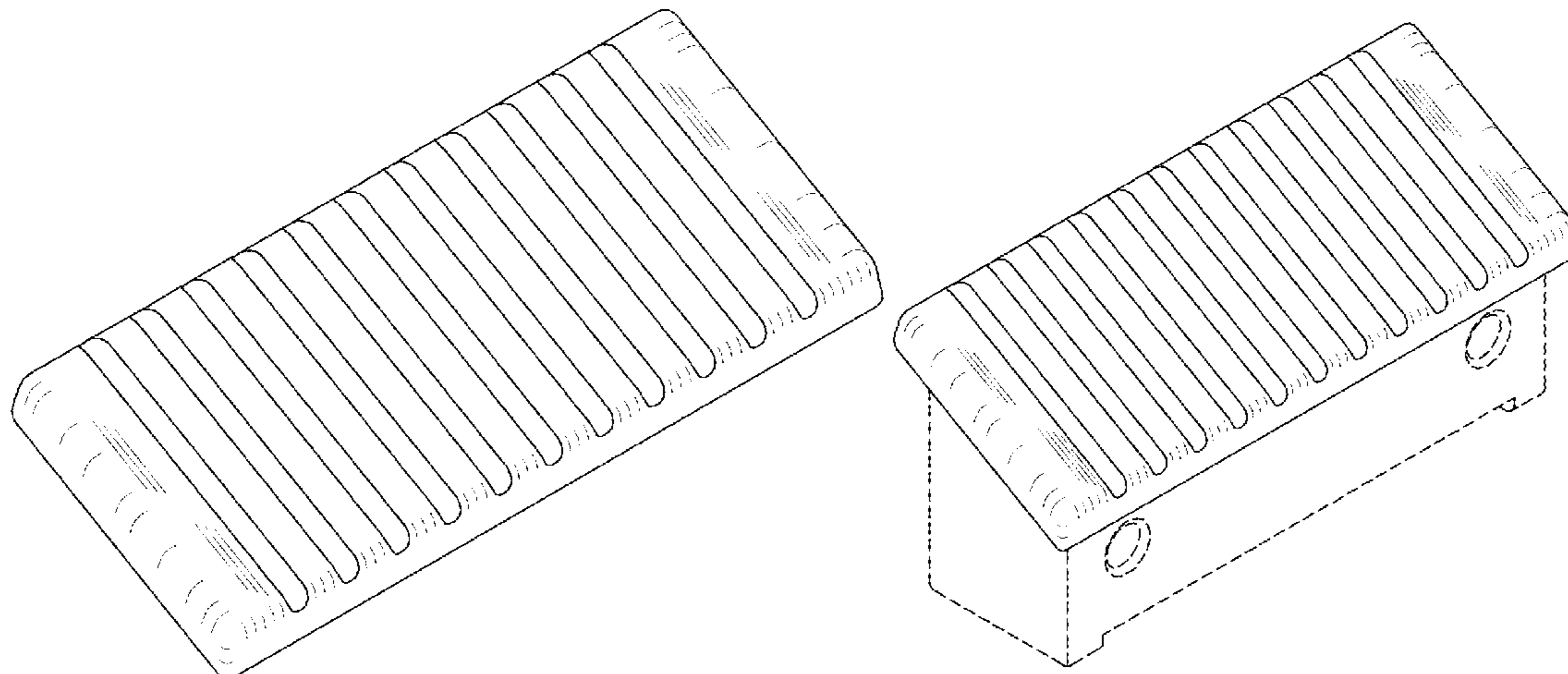
FIG. 7 is a right side elevation view thereof.

FIG. 8 is a left side elevation view thereof; and,

FIG. 9 is a perspective view of the cap for a wedge block of FIG. 1 residing on a wedge block.

The broken lines in FIG. 4 illustrate portions of the cap for a wedge block that form no part of the claimed design. The broken lines in FIG. 9 depict environmental subject matter that forms no part of the claimed design.

**1 Claim, 4 Drawing Sheets**



(56)

References Cited

U.S. PATENT DOCUMENTS

D761,641 S \* 7/2016 Pace ..... D8/382  
 D763,067 S \* 8/2016 Monsees ..... D8/382  
 D768,843 S \* 10/2016 Honeyball ..... D23/386  
 D779,309 S \* 2/2017 Morris ..... D8/349  
 D782,708 S \* 3/2017 Key ..... D25/133  
 D810,008 S \* 2/2018 Mollison ..... D13/102  
 D810,010 S \* 2/2018 Rook ..... D13/102  
 D824,749 S \* 8/2018 Wright ..... D8/354  
 D826,694 S \* 8/2018 Templeman ..... D8/354  
 10,221,968 B2 3/2019 Haynes et al.  
 10,274,111 B2 4/2019 Breda  
 D882,118 S \* 4/2020 Noe ..... D25/56  
 D883,774 S \* 5/2020 Comalander ..... D8/380  
 D915,186 S \* 4/2021 Barker ..... D8/382  
 2018/0277285 A1 9/2018 Stilwell et al.  
 2020/0018424 A1\* 1/2020 Comalander ..... F16L 3/20  
 2021/0010616 A1\* 1/2021 Comalander ..... B23K 37/0426  
 2021/0071784 A1\* 3/2021 Dodge ..... F16L 3/13

OTHER PUBLICATIONS

Pipe-hanger-and-supports-catalog, Date Visited: Apr. 9, 2021, Eaton, Date Available: 2019, Pipe hangers & supports B-line series Catalog, p. 17 (Year: 2019).\*

Screen Shot of Grainger Pipe Support Block; Accessed Mar. 2019; [https://www.grainger.com/product/15E509?cm\\_sp=Product\\_Details--Products\\_Based\\_on\\_Your\\_Search--IDPPLARECS&cm\\_vc=IDPPLARECS](https://www.grainger.com/product/15E509?cm_sp=Product_Details--Products_Based_on_Your_Search--IDPPLARECS&cm_vc=IDPPLARECS).

Screen Shot of Anorage Group Pipe Cradle; Accessed Mar. 2019; <https://zipleaf.auz.net/Companies/Anorage-Group-Pipe-Supports/Article-Piping-Cradles>.

Screen Shot of EZ Line Pipe Clamp Shim Block Assy; Accessed Mar. 2019; <http://www.ezline.com/ezline-pipe-clamps-and-shim-block-assemblies/>.

Screen Shot of Precision Weld and Fabrication Shim Blocks; Accessed Mar. 2019; <http://weweld.com/pipe-clamps/>.

Screen Shot of PPSC Shim Block with Strap; Accessed Mar. 2019; <https://www.pipelinepsc.com/gsh-shim-block-with-strap>.

\* cited by examiner

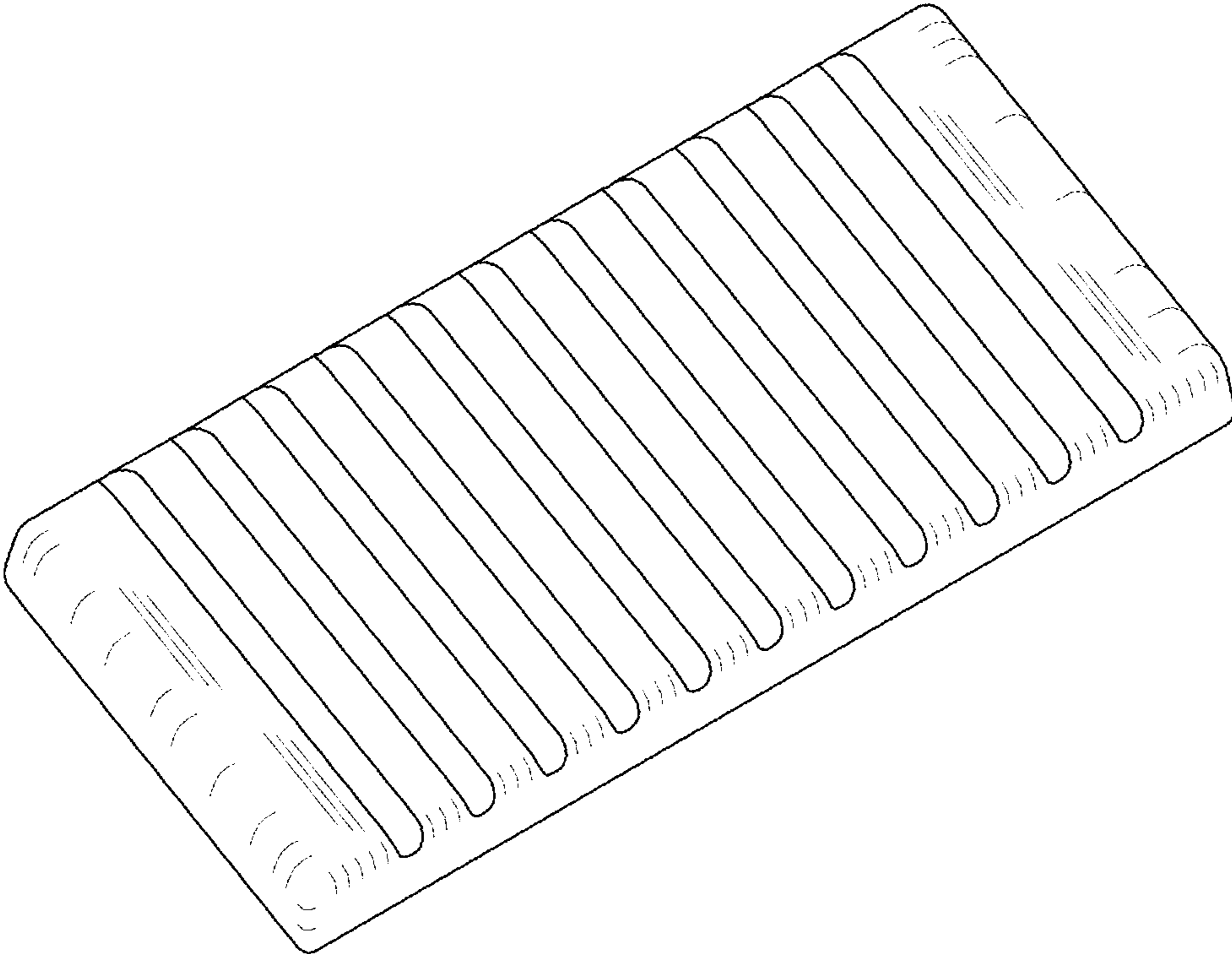


FIG. 1

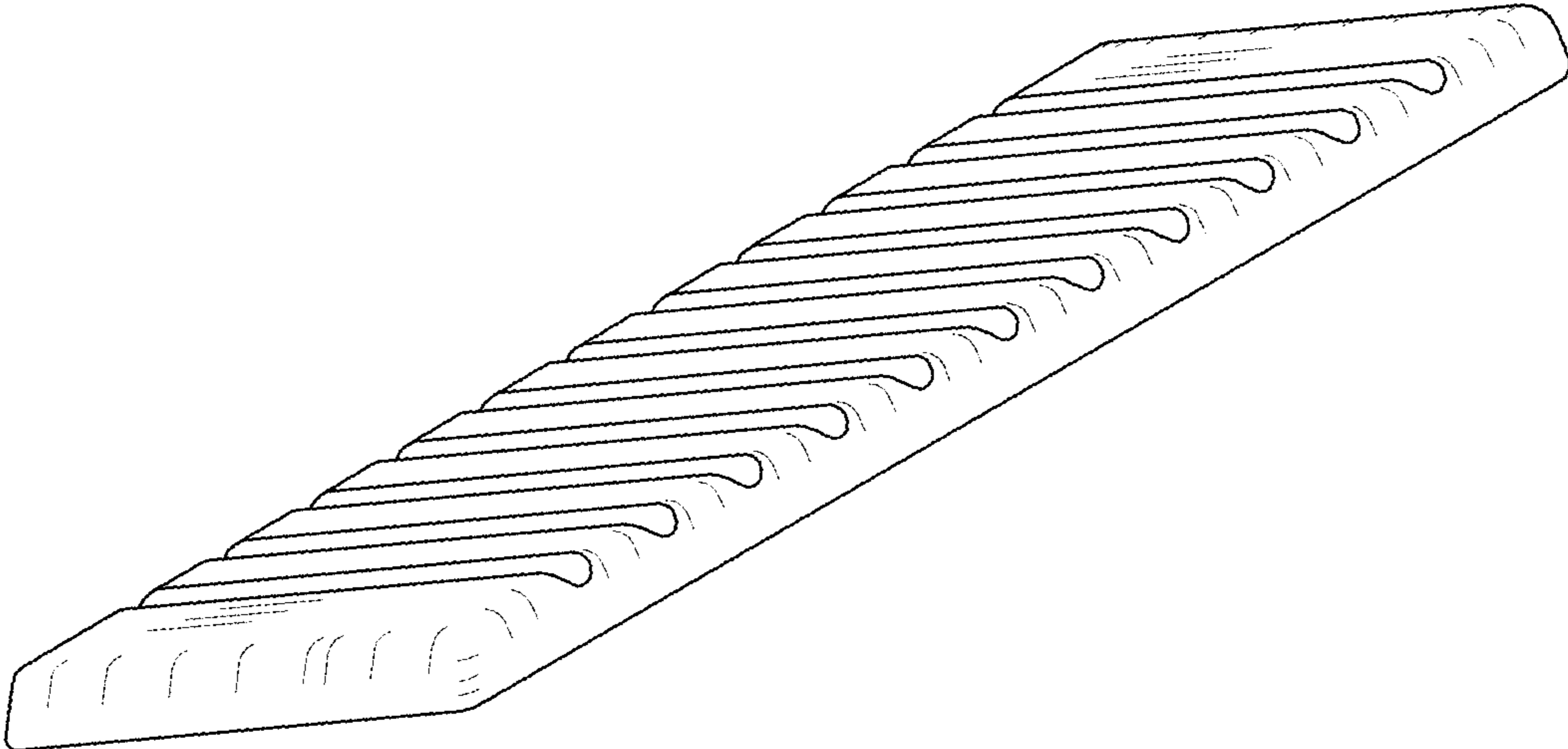


FIG. 2

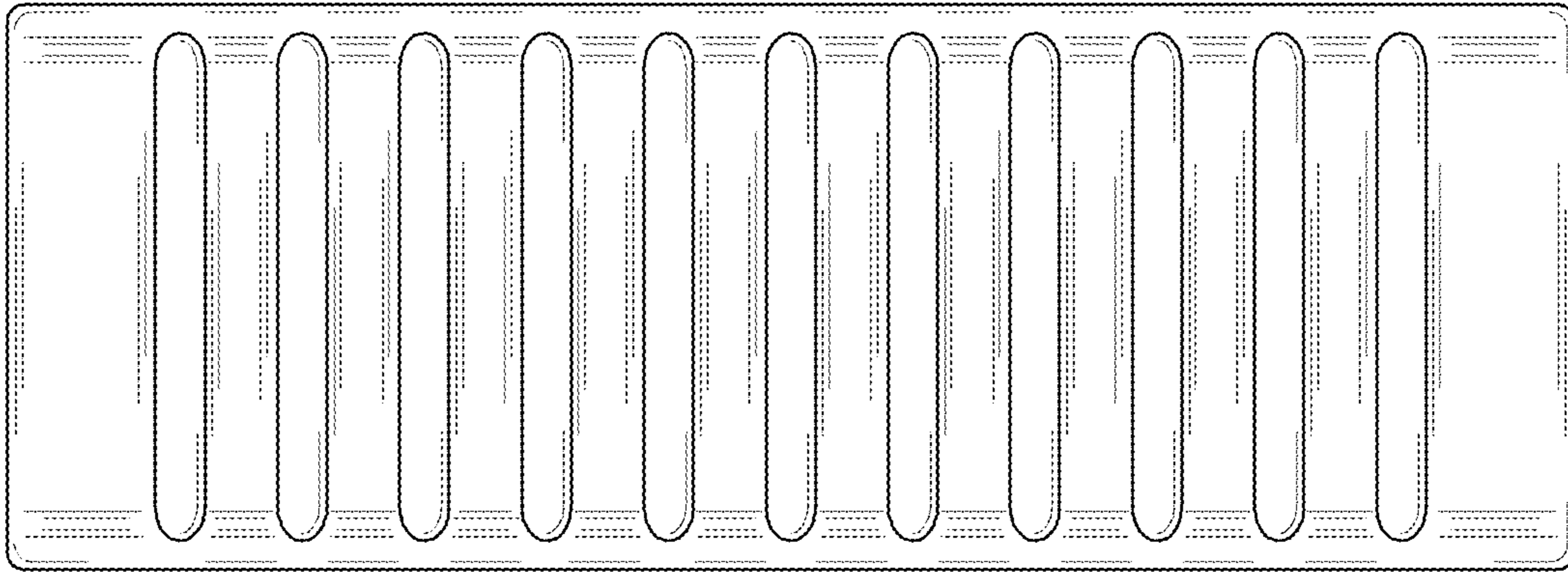


FIG. 3

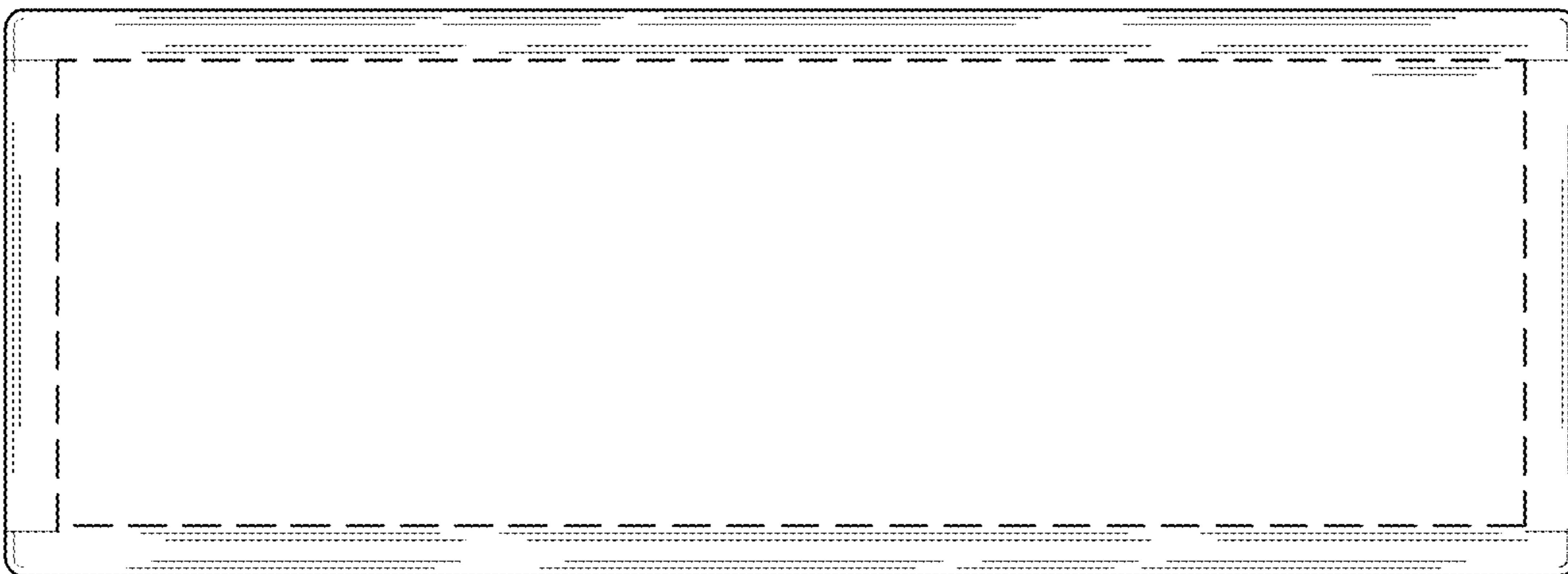


FIG. 4

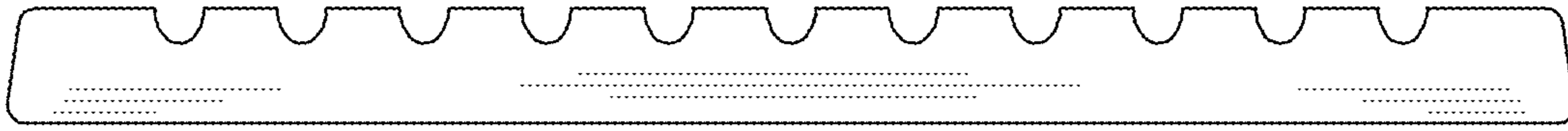


FIG. 5

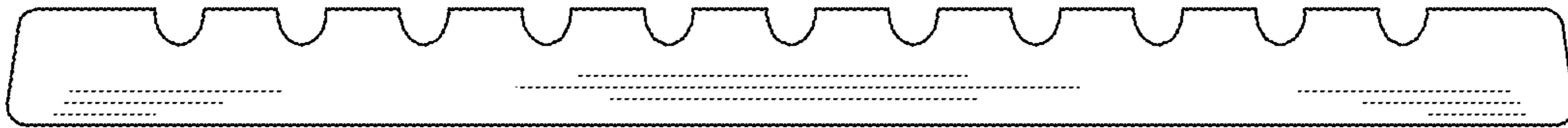


FIG. 6



FIG. 7

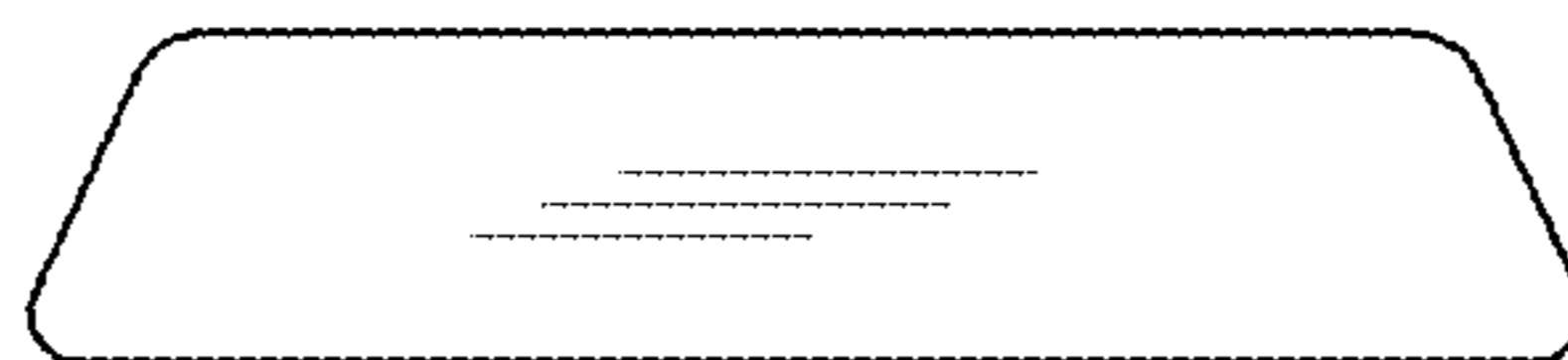


FIG. 8

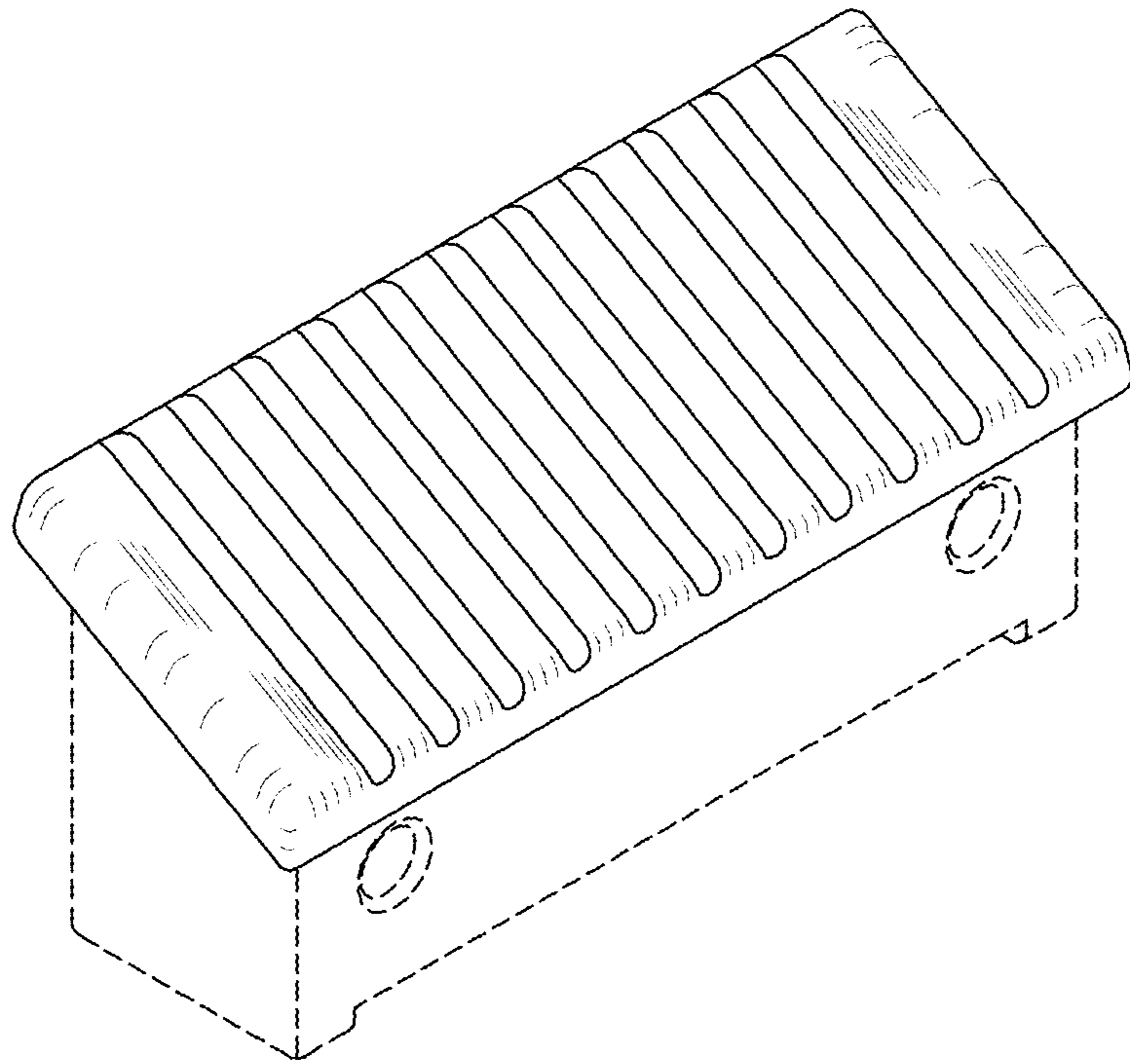


FIG. 9