



US00D952439S

(12) **United States Design Patent** (10) **Patent No.:** **US D952,439 S**  
**Park** (45) **Date of Patent:** **\*\* May 24, 2022**

(54) **PULL**

D889,243 S \* 7/2020 Eads ..... D8/316  
D911,740 S \* 3/2021 Spangler ..... D6/549  
D936,449 S \* 11/2021 Gabbai ..... D8/316

(71) Applicant: **DELTA FAUCET COMPANY,**  
Indianapolis, IN (US)

(72) Inventor: **Maris Park,** McCordsville, IN (US)

(73) Assignee: **DELTA FAUCET COMPANY,**  
Indianapolis, IN (US)

(\*\*) Term: **15 Years**

(21) Appl. No.: **29/754,302**

(22) Filed: **Oct. 9, 2020**

(51) **LOC (13) Cl.** ..... **08-06**

(52) **U.S. Cl.**  
USPC ..... **D8/316**

(58) **Field of Classification Search**  
USPC ..... D8/315–316, 319–322  
CPC ..... A47B 95/02; Y10T 16/458; Y10T 16/462  
See application file for complete search history.

(56) **References Cited**

**U.S. PATENT DOCUMENTS**

D194,968 S	*	4/1963	Stelma	.....	D8/317
D311,322 S	*	10/1990	Jans	.....	D8/316
D315,488 S	*	3/1991	Tremonti	.....	D8/316
D431,996 S	*	10/2000	Short	.....	D8/316
D434,963 S	*	12/2000	Short	.....	D8/316
D561,557 S	*	2/2008	McConnell	.....	D8/316
D635,005 S	*	3/2011	McConnell	.....	D8/316
D680,414 S	*	4/2013	Han	.....	D8/317
D737,654 S	*	9/2015	Han	.....	D8/316
D749,393 S	*	2/2016	Lee	.....	D8/316
D833,253 S	*	11/2018	Lowe	.....	D8/316
D836,944 S	*	1/2019	Rutgers	.....	D6/549
D836,946 S	*	1/2019	Rutgers	.....	D6/549
D878,901 S	*	3/2020	Bunn	.....	D8/316

**OTHER PUBLICATIONS**

“Craftsman Style Cabinet Pull”, Jan. 21, 2013, Amazon.com, site visited Jan. 20, 2022: <https://www.amazon.com/Craftsman-Cabinet-Crafts-Prairie-Drawer/dp/B00B3TO7B0> (Year: 2013).\*

“Amerock Wrought Iron Pyramid Pull”, Dec. 17, 2015, Amazon.com, site visited Jan. 20, 2022: <https://www.amazon.com/Amerock-BP4428-WI-Forgings-Wrought-Pyramid/dp/B019HSCHW4> (Year: 2015).\*

“Brainerd Glass Rectangular Handle Cabinet Pull”, Dec. 27, 2018, Amazon.com, site visited Jan. 20, 2022: <https://www.amazon.com/Brainerd-Fashion-Center-Rectangular-Cabinet/dp/B07MNXQ16P> (Year: 2018).\*

\* cited by examiner

*Primary Examiner* — Jack Reickel

*Assistant Examiner* — Michael A Kervin

(74) *Attorney, Agent, or Firm* — Nirav D. Parikh; Edgar A. Zarins

(57) **CLAIM**

The ornamental design for a pull, as shown and described.

**DESCRIPTION**

FIG. 1 is a front perspective view of a pull showing my new design;

FIG. 2 is a rear perspective view thereof;

FIG. 3 is a front elevational view thereof;

FIG. 4 is a left side view thereof;

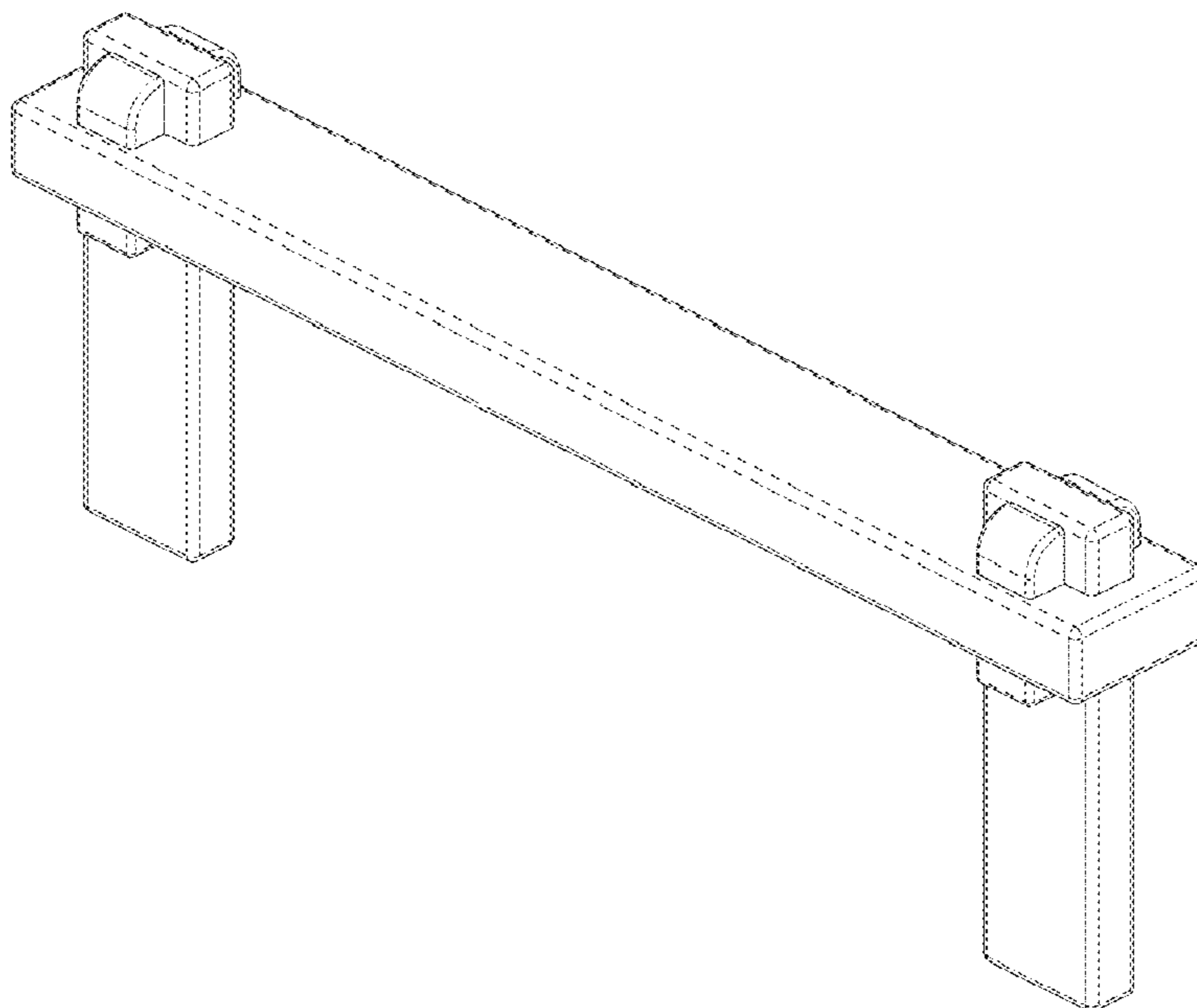
FIG. 5 is a rear view thereof;

FIG. 6 is a right side view thereof;

FIG. 7 is a top plan view thereof; and,

FIG. 8 is a bottom view thereof.

**1 Claim, 4 Drawing Sheets**



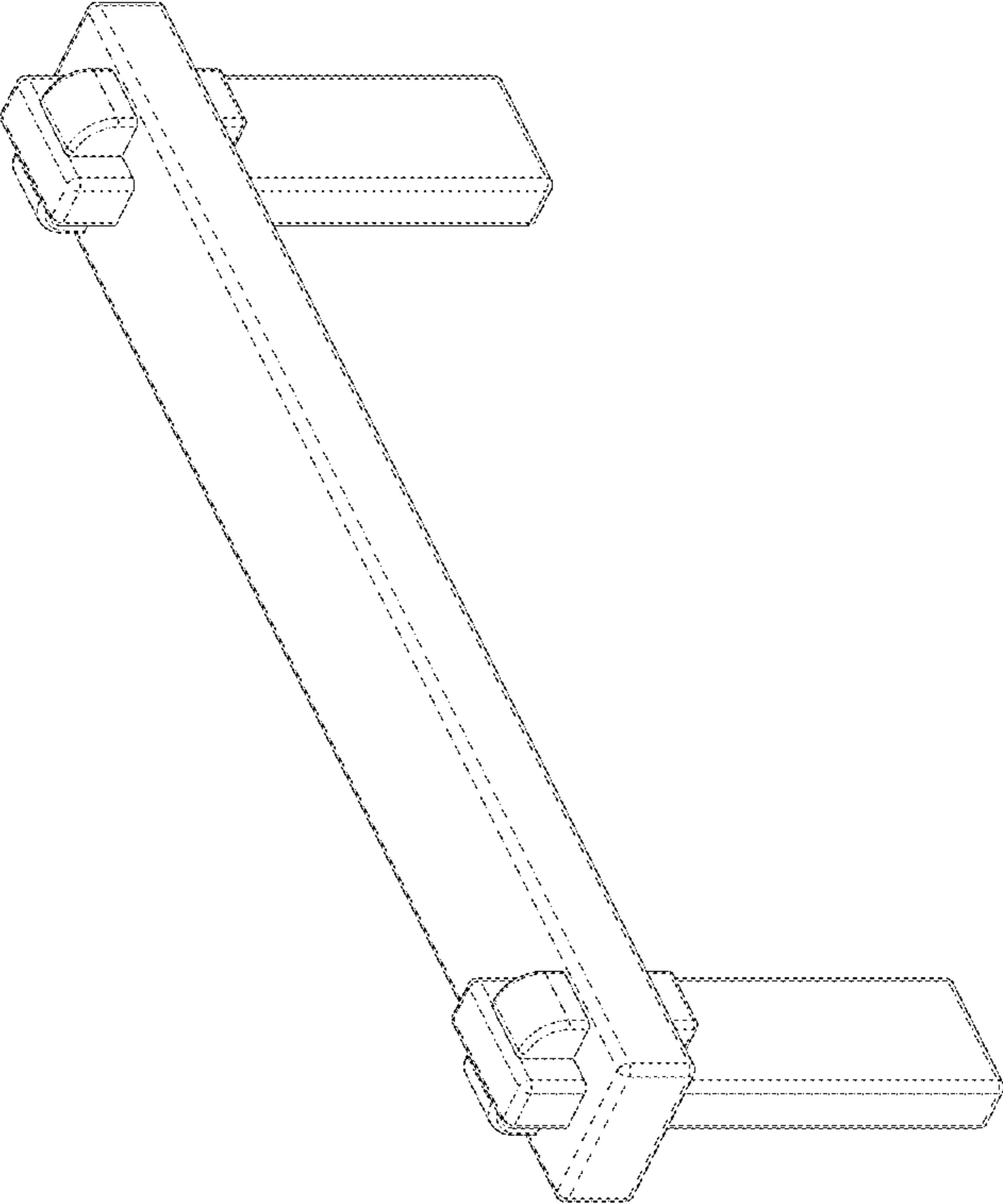


FIG - 2

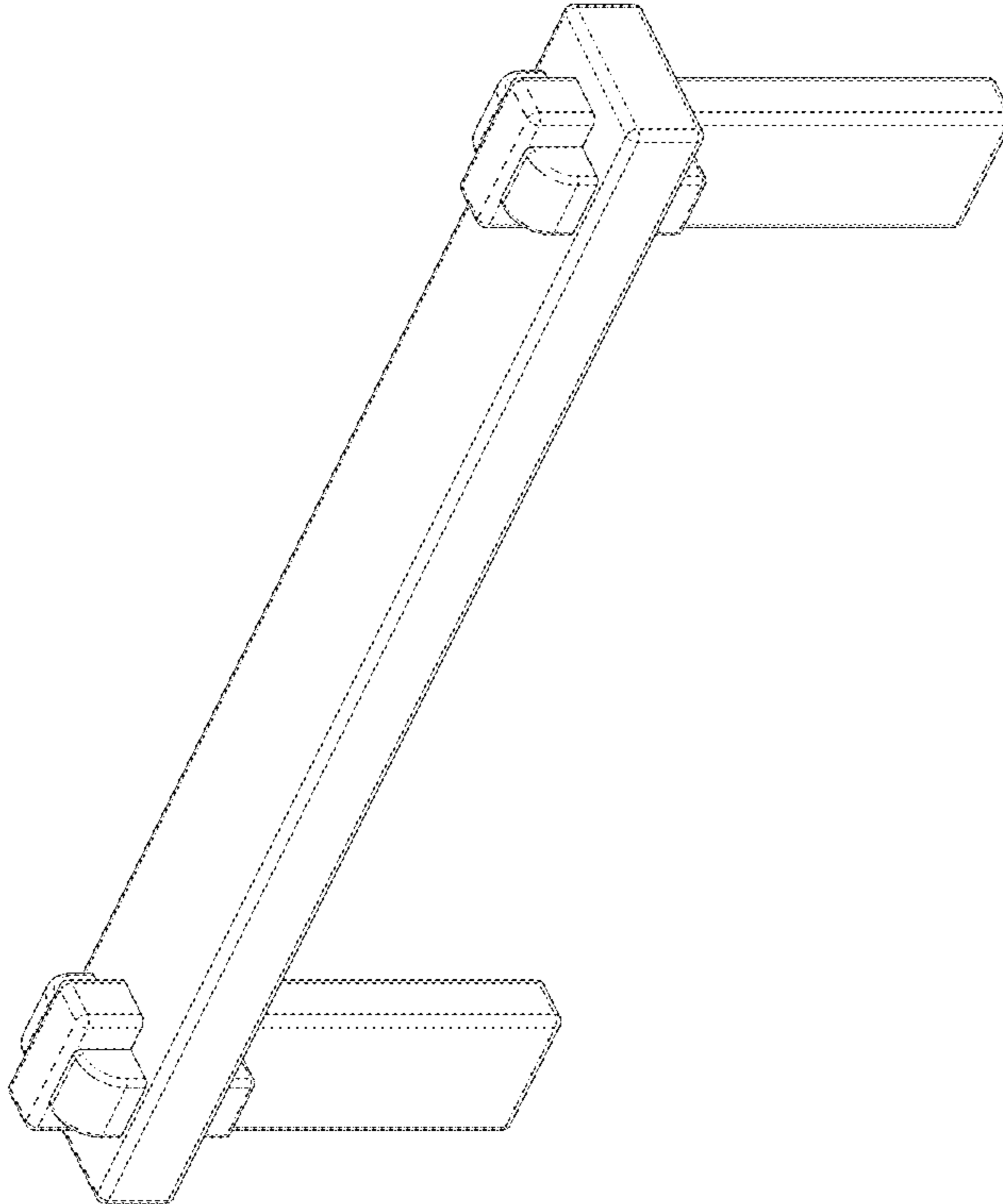


FIG - 1

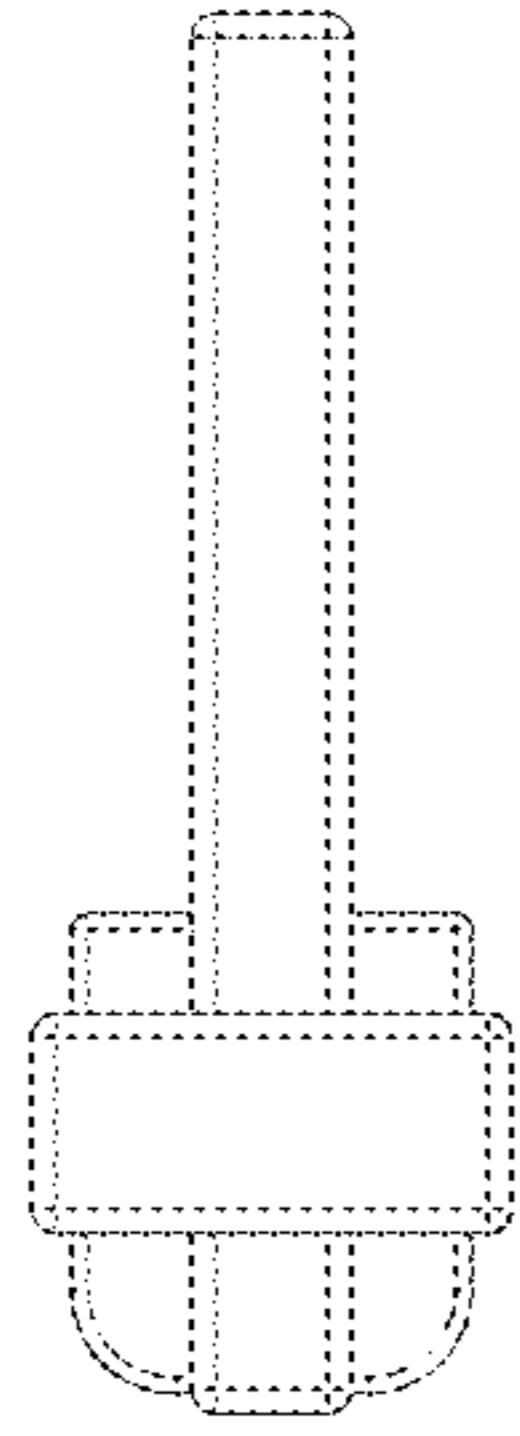


FIG - 4

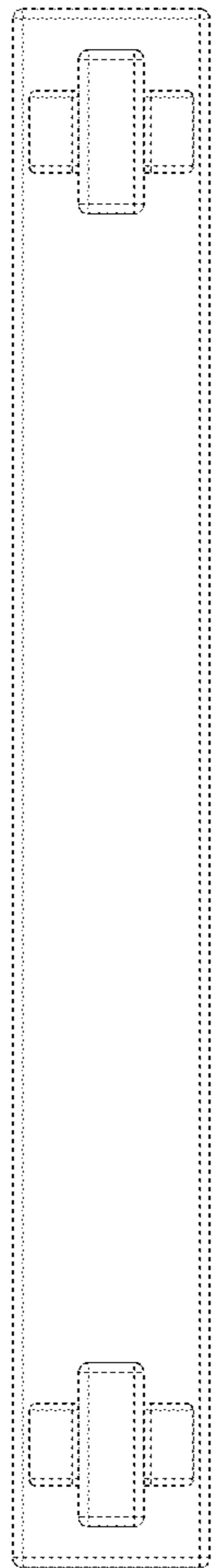


FIG - 3

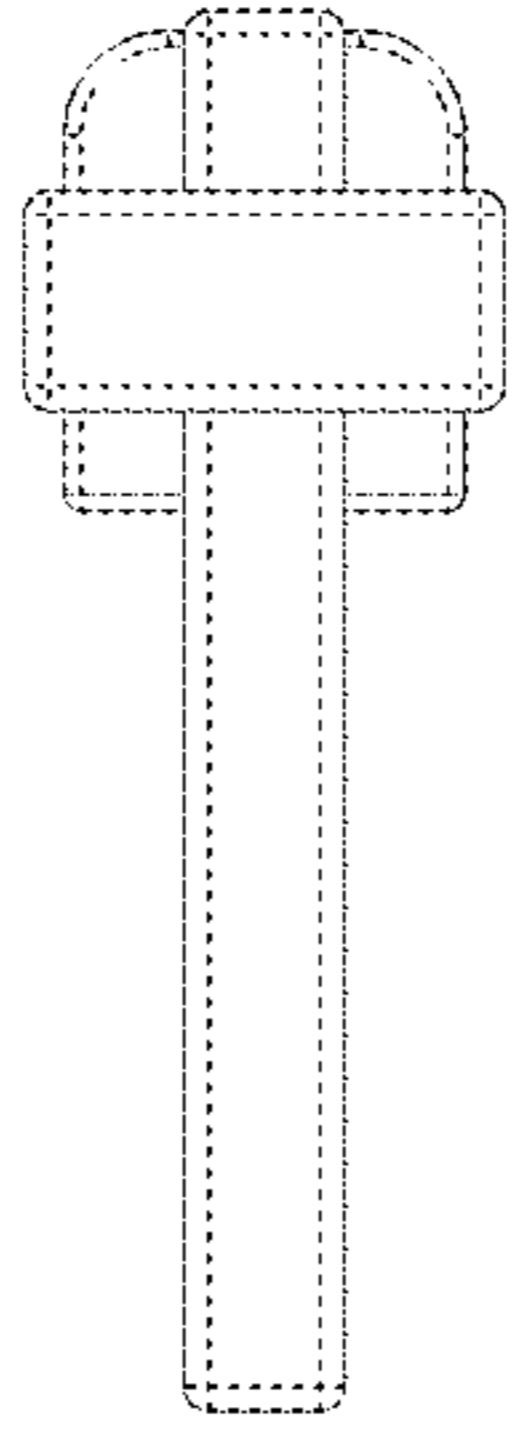


FIG - 6

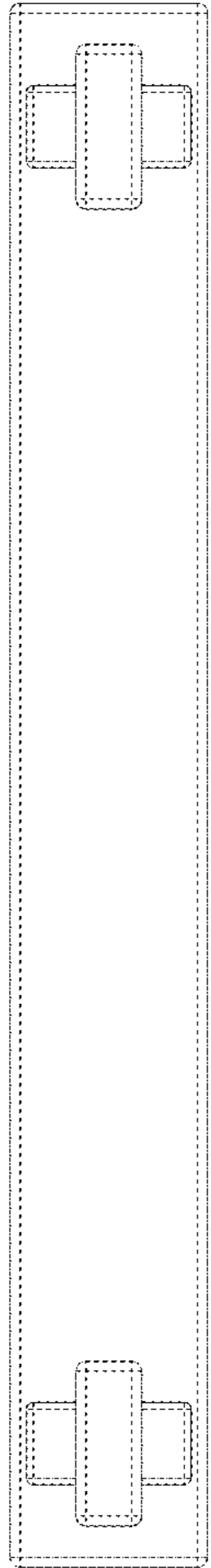


FIG - 5

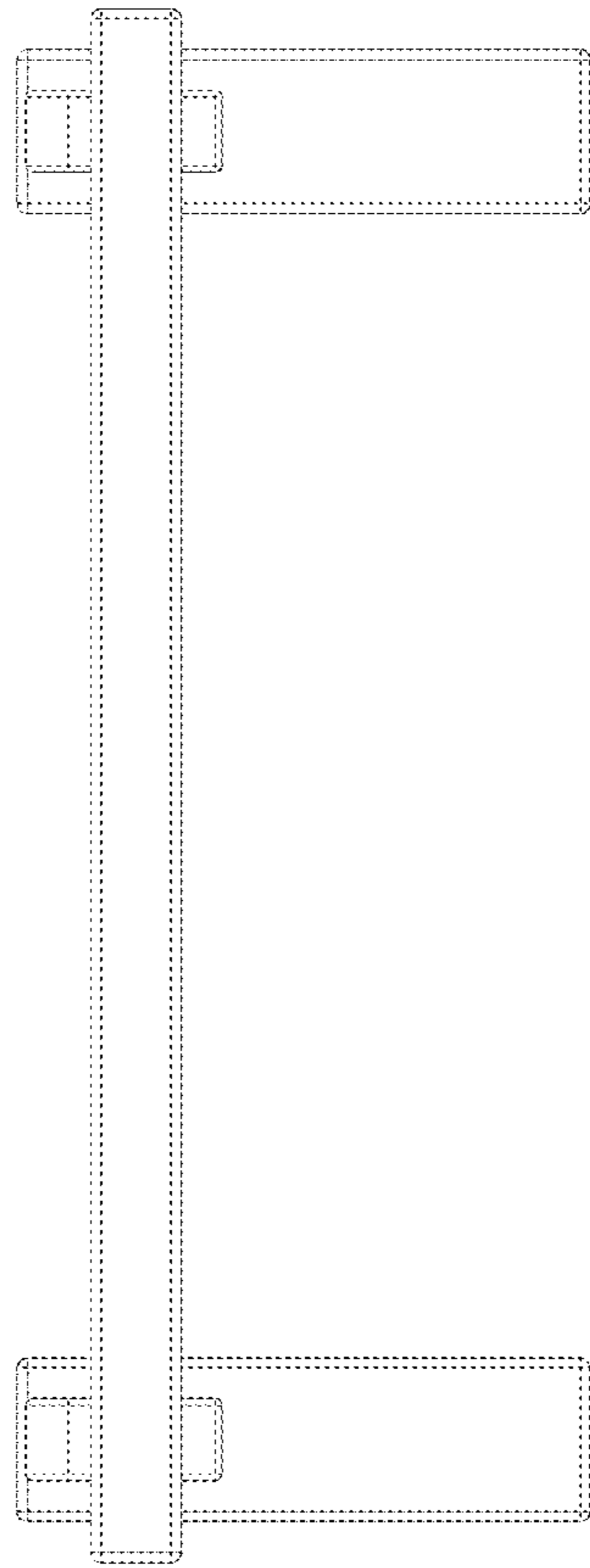


FIG - 8

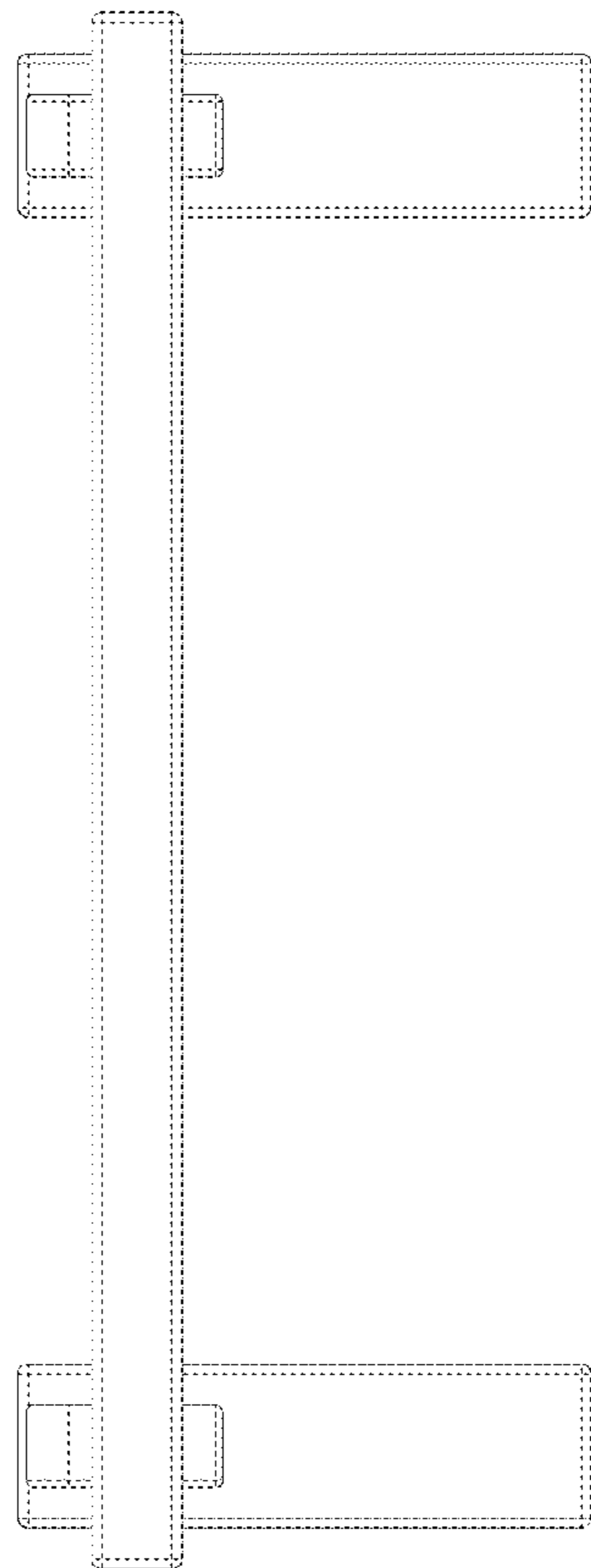


FIG - 7