



US00D952438S

(12) **United States Design Patent** (10) **Patent No.:** **US D952,438 S**  
**Park** (45) **Date of Patent:** **\*\* May 24, 2022**

(54) **PULL**  
(71) Applicant: **DELTA FAUCET COMPANY,**  
Indianapolis, IN (US)  
(72) Inventor: **Maris Park,** McCordsville, IN (US)  
(73) Assignee: **DELTA FAUCET COMPANY,**  
Indianapolis, IN (US)  
(\*\*) Term: **15 Years**  
(21) Appl. No.: **29/737,692**  
(22) Filed: **Jun. 11, 2020**  
(51) **LOC (13) Cl.** ..... **08-06**  
(52) **U.S. Cl.**  
USPC ..... **D8/315**  
(58) **Field of Classification Search**  
USPC ..... D8/315-316, 319-322  
CPC ..... A47B 95/02; Y10T 16/458; Y10T 16/462  
See application file for complete search history.

8,732,910 B1 \* 5/2014 Paul ..... F25D 23/028  
16/413  
D749,393 S \* 2/2016 Lee ..... D8/316  
9,909,338 B1 \* 3/2018 Abrahams ..... E05B 1/0015  
D836,946 S \* 1/2019 Rutgers ..... D6/549  
D878,901 S \* 3/2020 Bunn ..... D8/316  
D889,243 S \* 7/2020 Eads ..... D8/316  
D896,058 S \* 9/2020 Prezner ..... D8/319  
D911,740 S \* 3/2021 Spangler ..... D6/549  
D936,449 S \* 11/2021 Gabbai ..... D8/316  
2021/0324658 A1 \* 10/2021 Cronin ..... A61L 2/088

**OTHER PUBLICATIONS**

“Rok Hardware Cabinet Drawer Door Handle”, Feb. 2, 2017,  
Amazon.com, site visited Jan. 20, 2022: <https://www.amazon.com/dp/B01MUHL67V> (Year: 2017).\*

(Continued)

*Primary Examiner* — Jack Reickel  
*Assistant Examiner* — Michael A Kervin  
(74) *Attorney, Agent, or Firm* — Nirav D. Parikh; Edgar  
A. Zarins

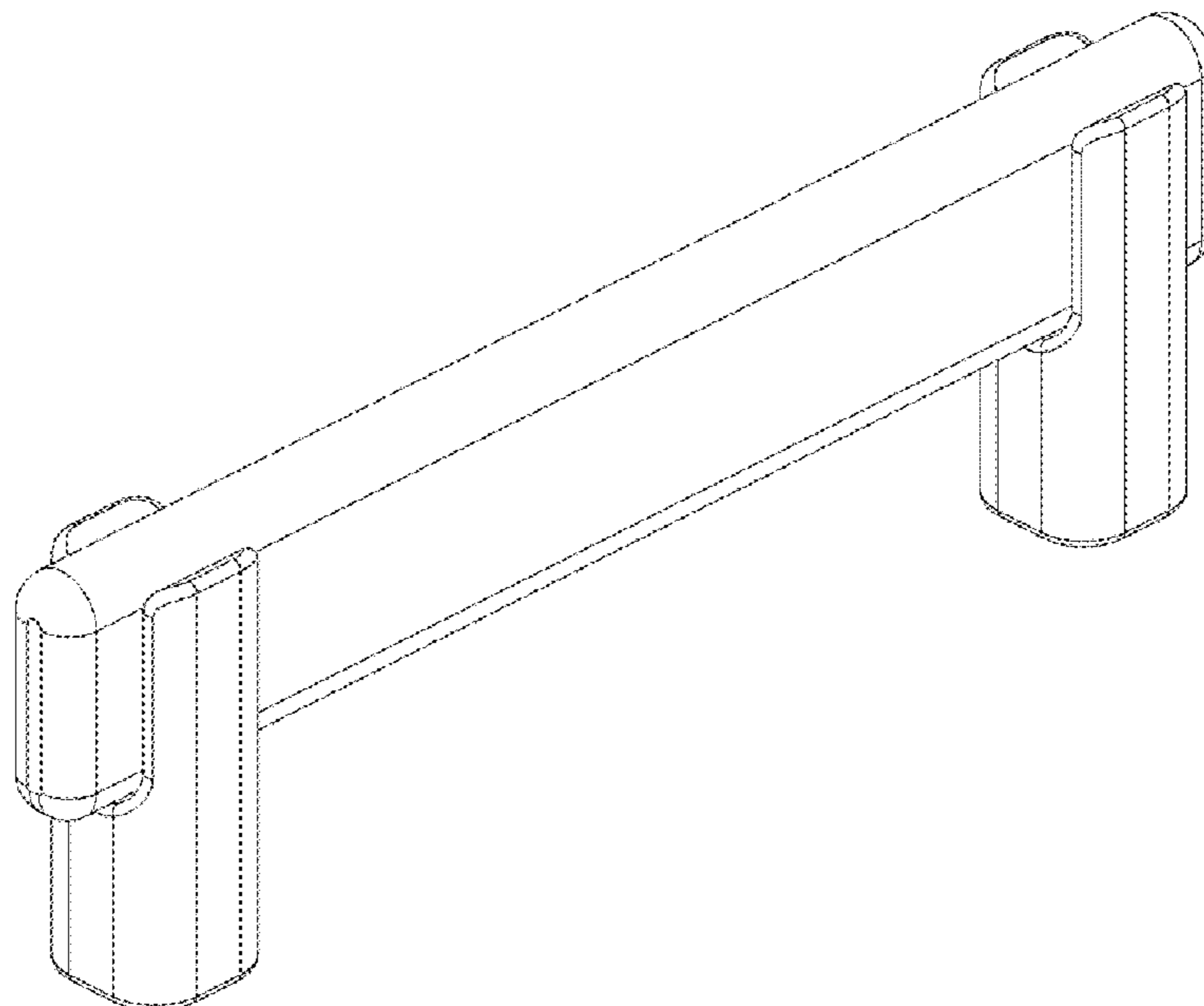
(56) **References Cited**  
**U.S. PATENT DOCUMENTS**  
2,541,585 A \* 2/1951 Jones ..... A47B 95/02  
40/325  
D179,940 S \* 3/1957 Gulliksen ..... D8/319  
D311,320 S \* 10/1990 Jans ..... D8/308  
D311,322 S \* 10/1990 Jans ..... D8/316  
D337,507 S \* 7/1993 Jans ..... D8/316  
D350,273 S \* 9/1994 Jans ..... D8/317  
6,003,202 A \* 12/1999 Dauterive ..... A47B 95/02  
16/419  
D438,776 S \* 3/2001 Boscherini ..... D8/316  
D450,212 S \* 11/2001 Gottwald ..... D6/549  
D505,611 S \* 5/2005 Daniel ..... D8/315  
D551,056 S \* 9/2007 Ricereto ..... D8/317  
D606,839 S \* 12/2009 Urquiola ..... D8/316  
D629,668 S \* 12/2010 Mattson ..... D8/315

(57) **CLAIM**  
The ornamental design for a pull, as shown and described.

**DESCRIPTION**

FIG. 1 is a front perspective view of a pull showing my new design;  
FIG. 2 is a rear perspective view thereof;  
FIG. 3 is a front elevational view thereof;  
FIG. 4 is a left side view thereof;  
FIG. 5 is a rear view thereof;  
FIG. 6 is a right side view thereof;  
FIG. 7 is a top plan view thereof; and,  
FIG. 8 is a bottom view thereof.

**1 Claim, 4 Drawing Sheets**



(56)

**References Cited**

OTHER PUBLICATIONS

“Emtek Mortise & Tenon Pull”, Oct. 25, 2018, Amazon.com, site visited Jan. 20, 2022: <https://www.amazon.com/dp/B07X56NSVJ> (Year: 2018).\*

“Amerock Mulino Cabinet Pull”, Oct. 8, 2019, Amazon.com, site visited Jan. 20, 2022: <https://www.amazon.com/dp/B07YVDRMPG> (Year: 2019).\*

\* cited by examiner

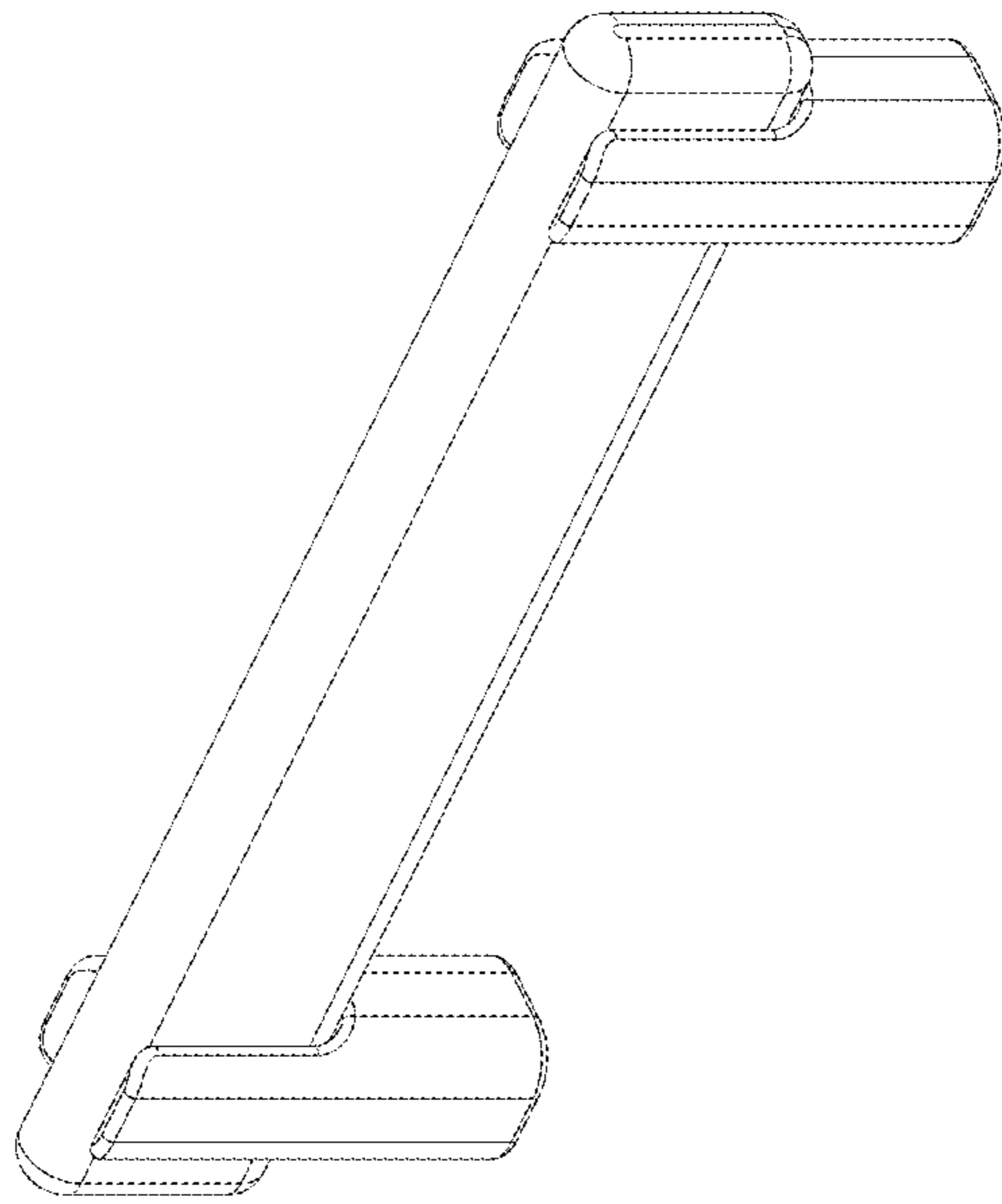


FIG-2

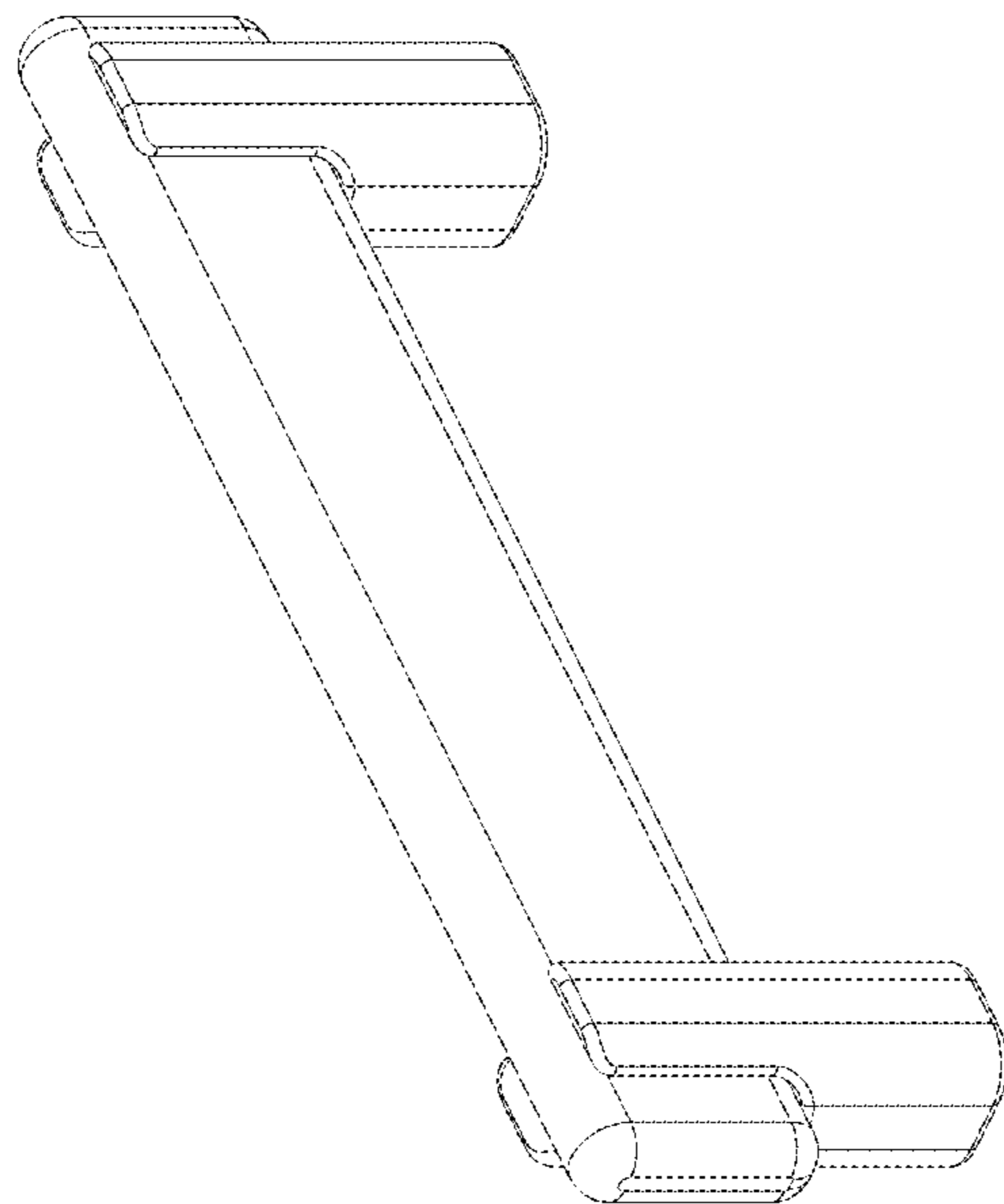


FIG-1

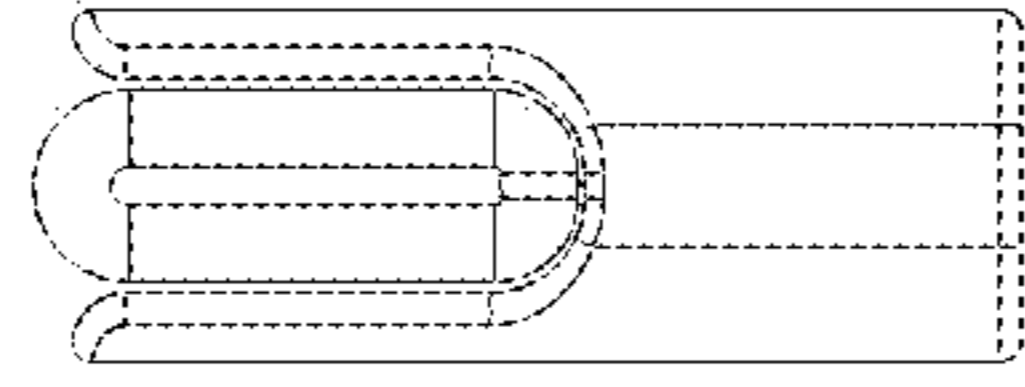


FIG-4

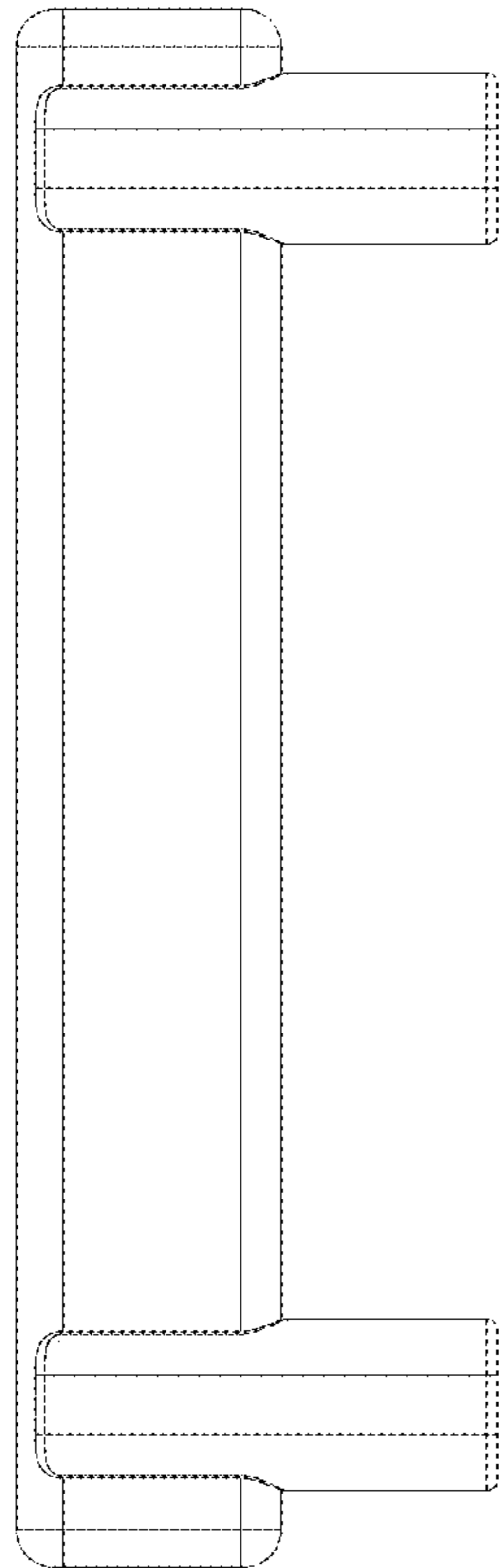


FIG-3

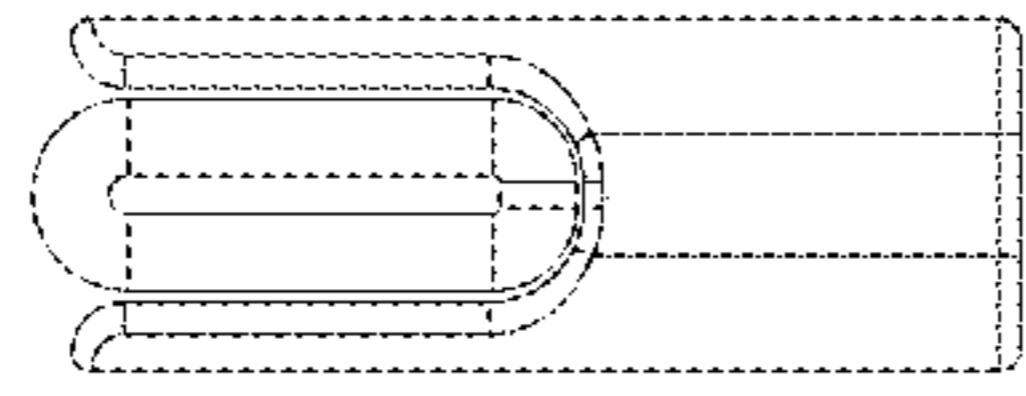


FIG-6

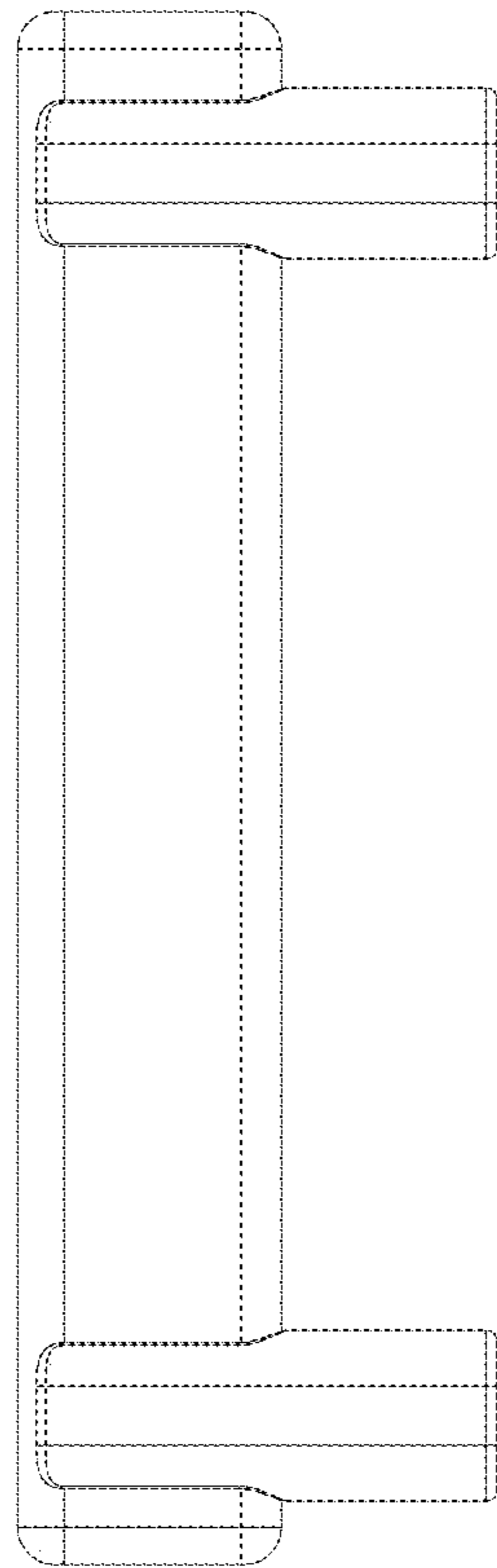


FIG-5

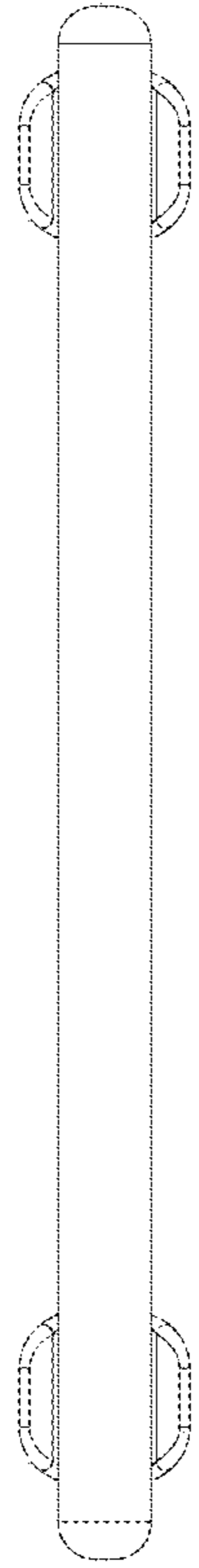


FIG-8

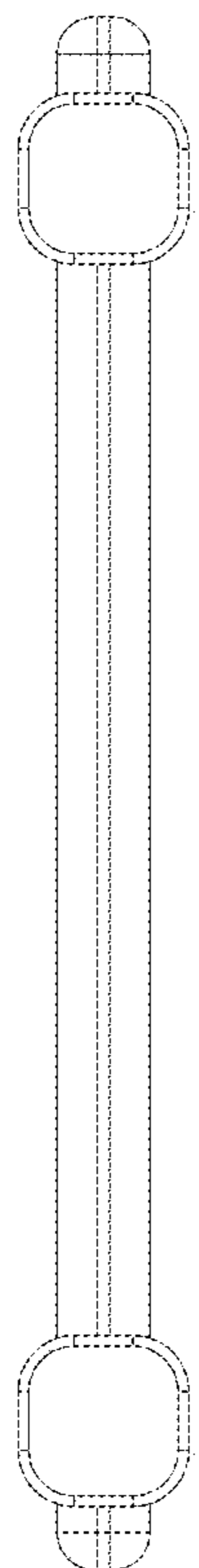


FIG-7