



US00D952437S

(12) **United States Design Patent**  
**Zeng**

(10) **Patent No.:** **US D952,437 S**

(45) **Date of Patent:** **\*\* May 24, 2022**

(54) **MULTIFUNCTIONAL WRENCH**

(71) Applicant: **Pengwei Zeng**, Guangdong (CN)

(72) Inventor: **Pengwei Zeng**, Guangdong (CN)

(\*\*) Term: **15 Years**

(21) Appl. No.: **29/765,687**

(22) Filed: **Jan. 11, 2021**

(51) **LOC (13) Cl.** ..... **08-05**

(52) **U.S. Cl.**  
USPC ..... **D8/105; D8/21; D8/26**

(58) **Field of Classification Search**  
USPC ..... D8/105, 16-19, 21, 26  
CPC ..... B25F 1/00; B25F 1/02  
See application file for complete search history.

(56) **References Cited**

**U.S. PATENT DOCUMENTS**

D160,645 S *	10/1950	Milo	81/460
D160,646 S *	10/1950	Milo	D8/105
4,037,275 A *	7/1977	Schor	B25F 1/00
			81/437
4,899,409 A *	2/1990	Cox, Jr.	B08B 9/021
			15/104.04
D344,664 S *	3/1994	Malkinson	D8/85
D353,759 S *	12/1994	Flynn	D8/18
D399,716 S *	10/1998	Carr	D8/31

D403,227 S *	12/1998	Tseng	D8/87
D527,245 S *	8/2006	Kelleghan	D8/356
D674,265 S *	1/2013	Greer	D8/85
D779,296 S *	2/2017	Runnels	B25F 1/00
			D8/17
D885,160 S *	5/2020	Yang	D8/105
2013/0014616 A1 *	1/2013	Putsch	B25B 13/56
			81/177.1
2018/0009091 A1 *	1/2018	Chang	B25B 15/007
2020/0078830 A1 *	3/2020	Swinnerton	H01R 43/002

\* cited by examiner

*Primary Examiner* — Janice Hallmark

(74) *Attorney, Agent, or Firm* — ScienBiziP, P.C.

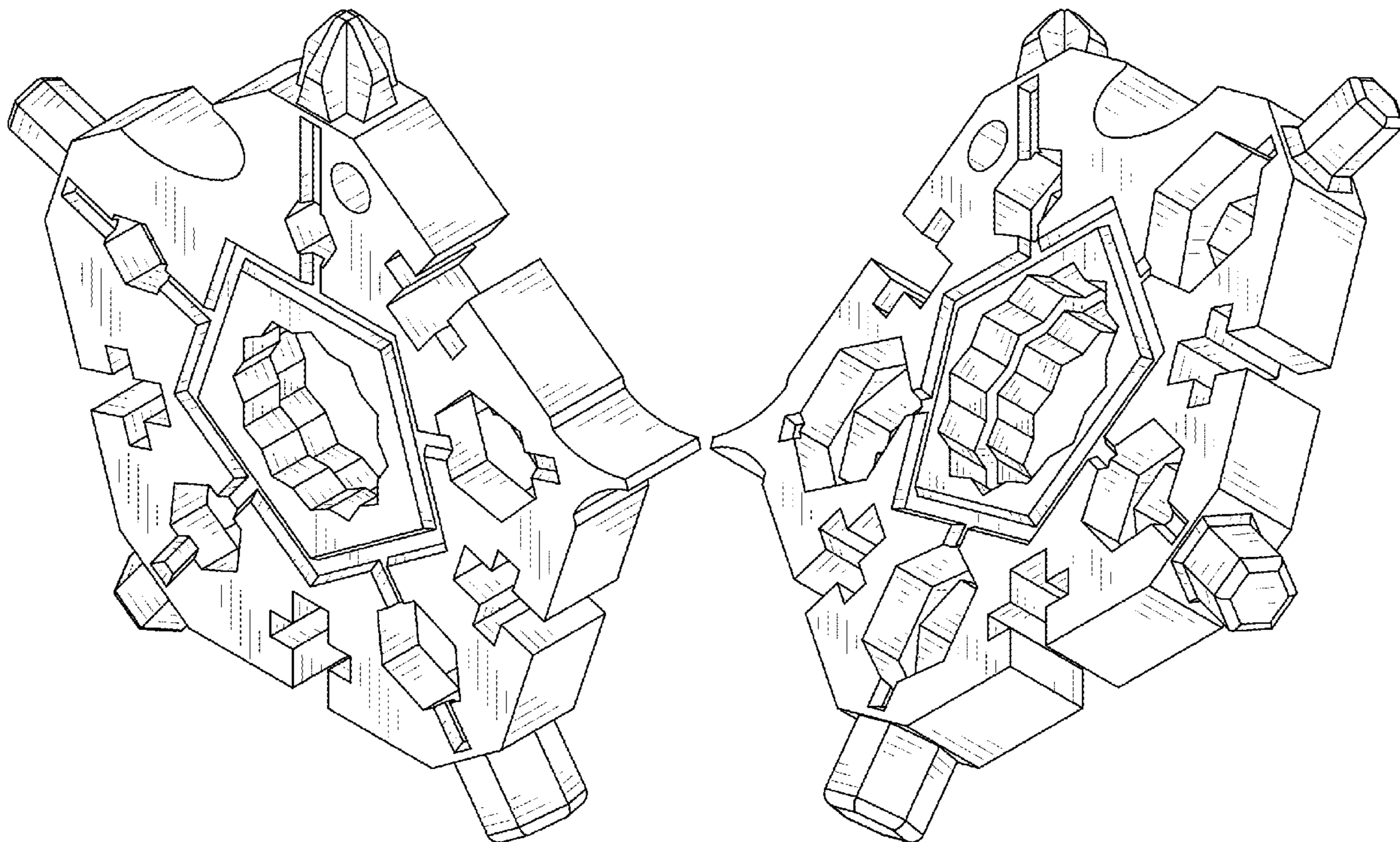
(57) **CLAIM**

The ornamental design for a multifunctional wrench, as shown and described.

**DESCRIPTION**

FIG. 1 is a front, right, and top perspective view of a multifunctional wrench, showing my design.  
 FIG. 2 is a rear, left, and bottom perspective view thereof.  
 FIG. 3 is a front elevation view thereof.  
 FIG. 4 is a rear elevation view thereof.  
 FIG. 5 is a left side elevation view thereof.  
 FIG. 6 is a right side elevation view thereof.  
 FIG. 7 is a top plan view thereof; and,  
 FIG. 8 is a bottom plan view thereof.

**1 Claim, 8 Drawing Sheets**



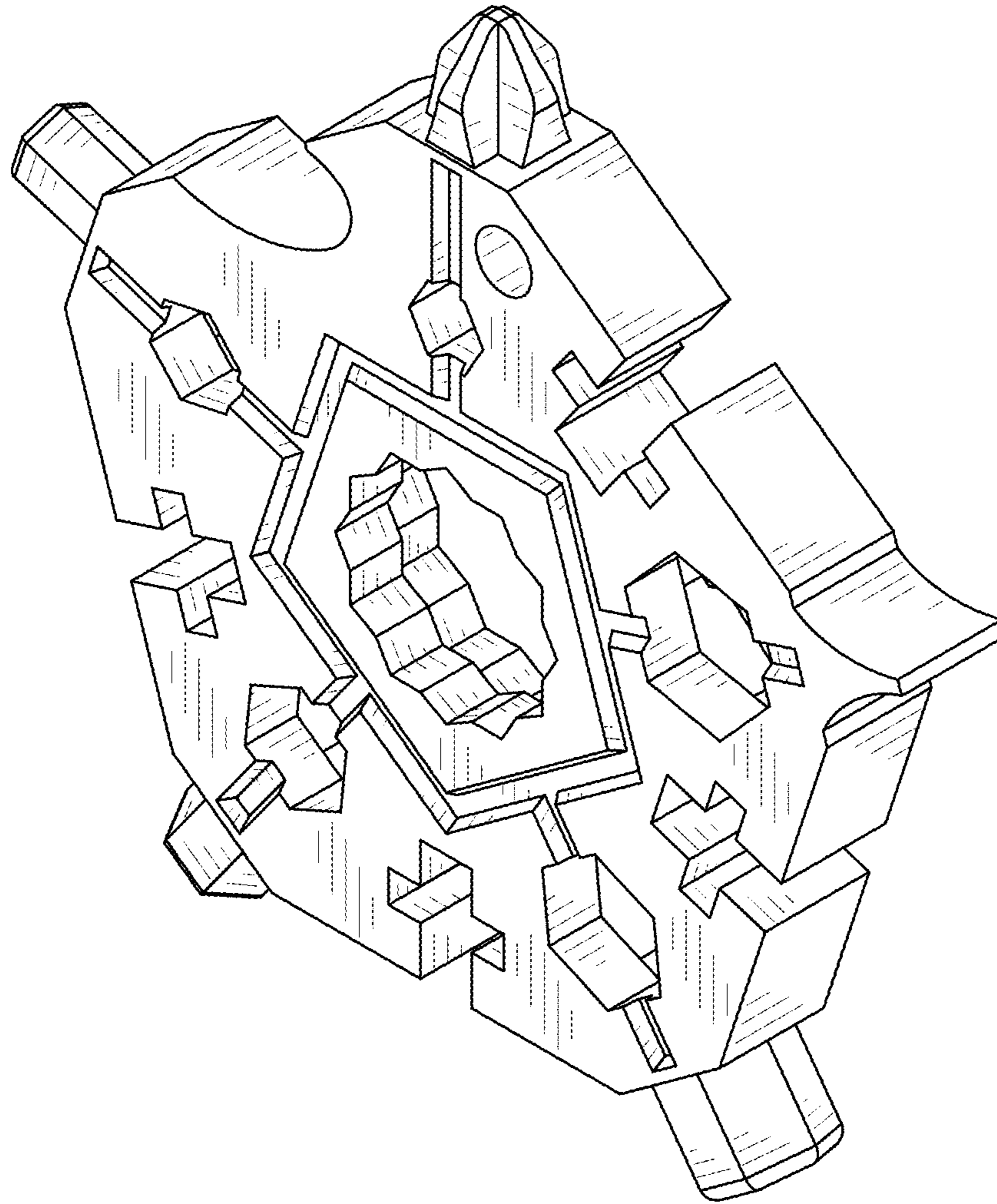


FIG. 1

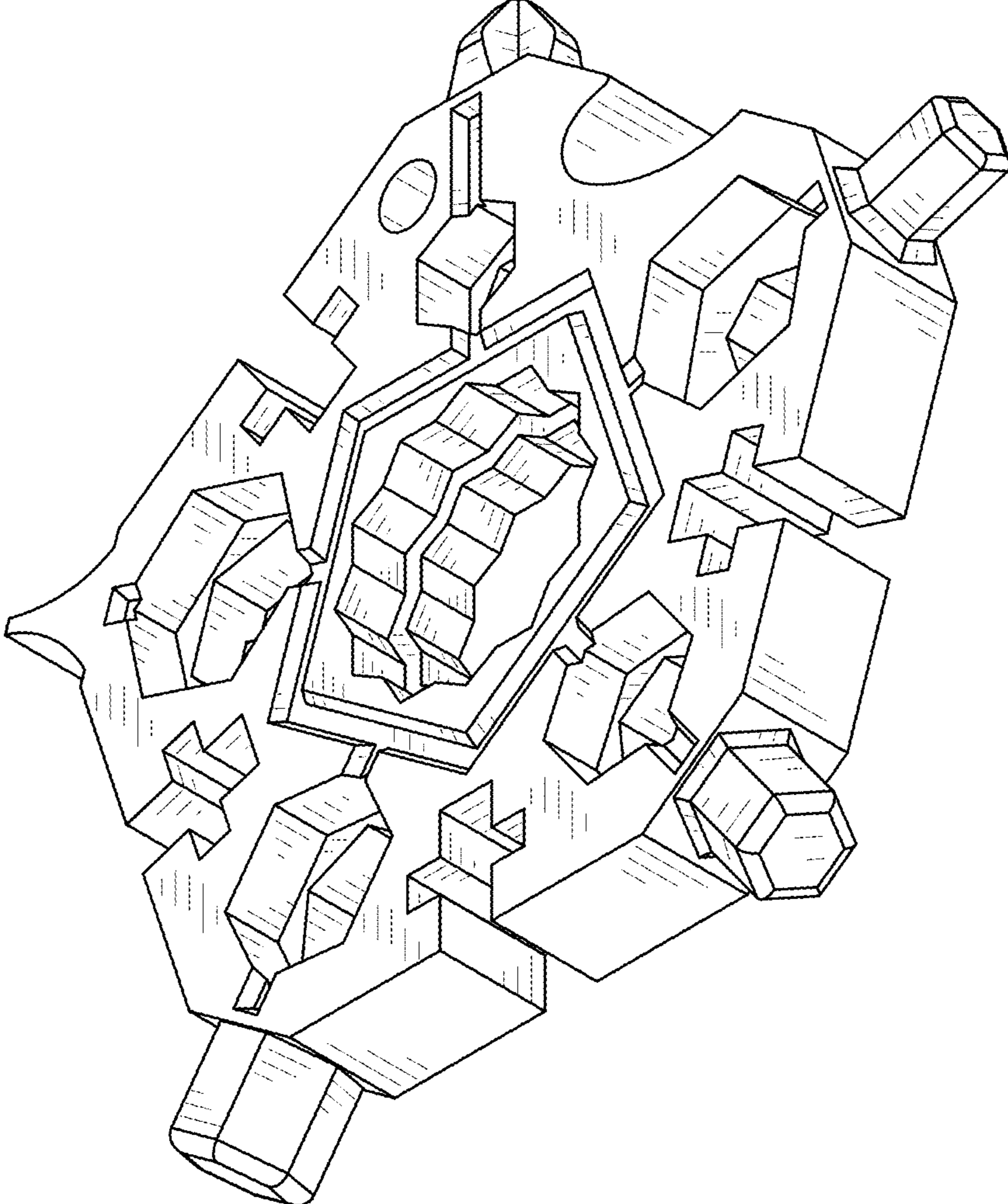


FIG. 2

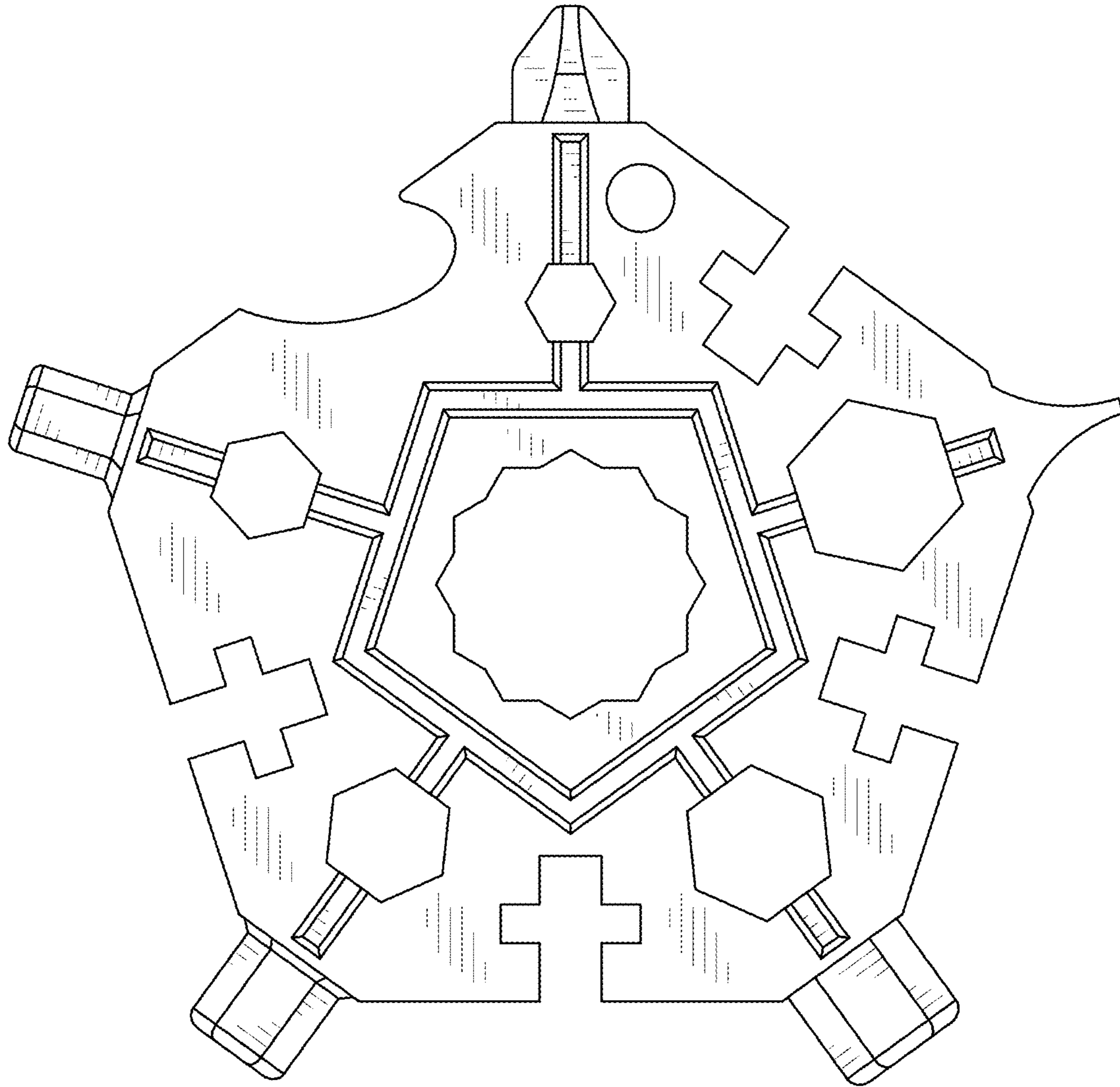


FIG. 3

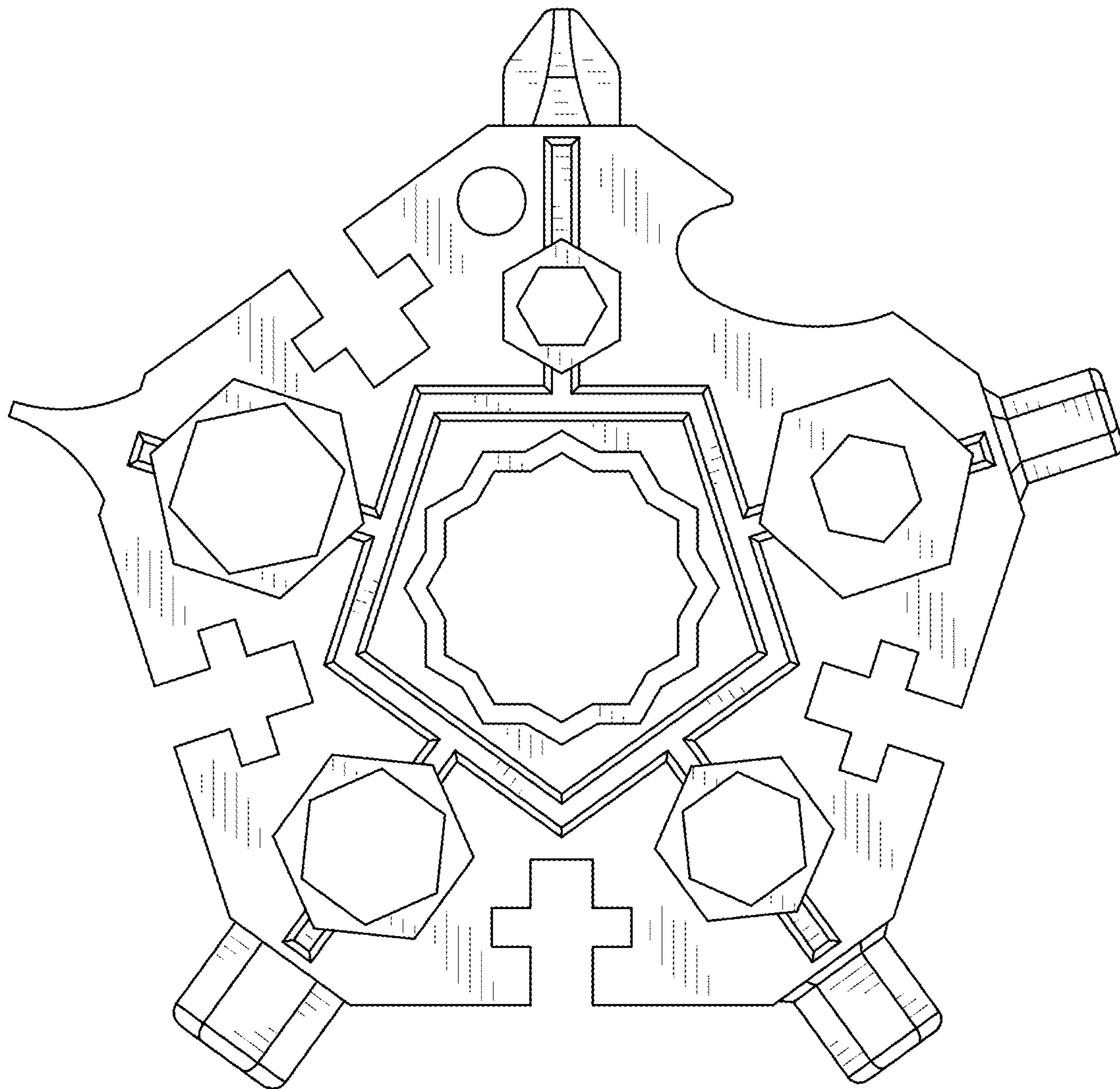


FIG. 4

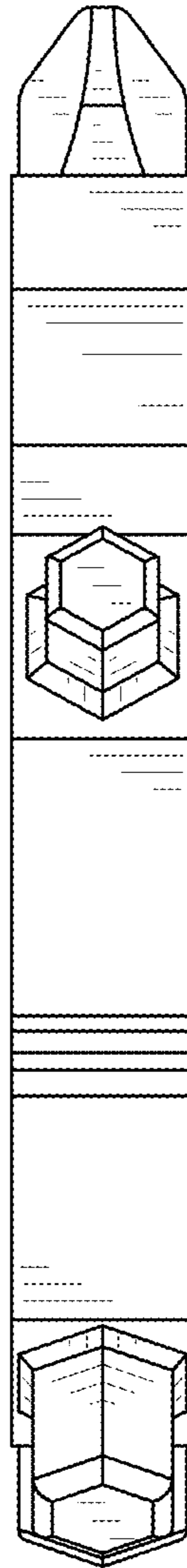


FIG. 5

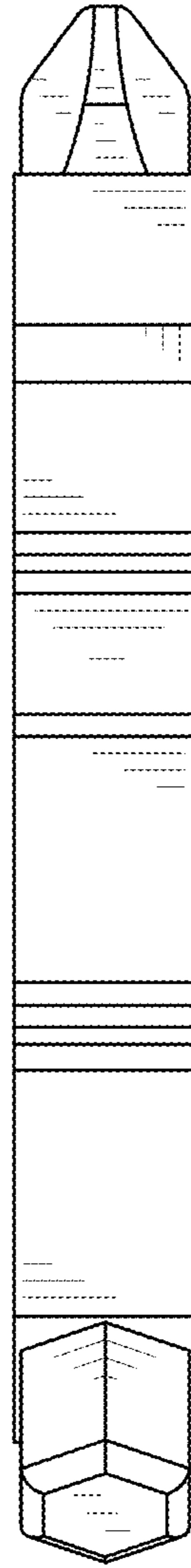


FIG. 6

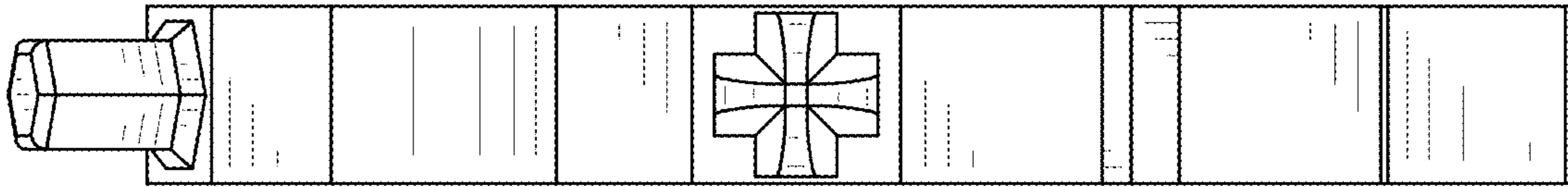


FIG. 7



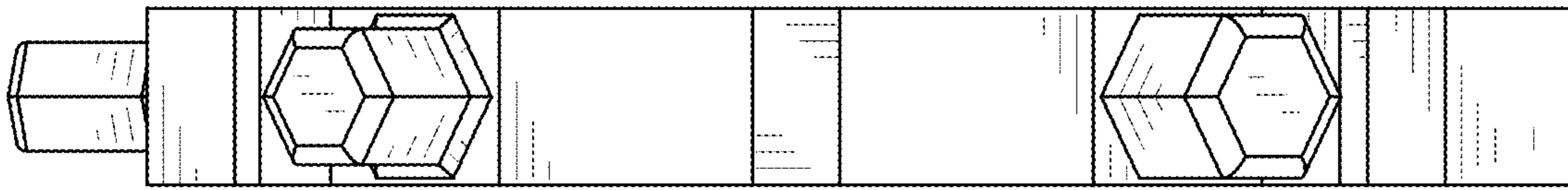


FIG. 8