



US00D952435S

(12) **United States Design Patent** (10) **Patent No.:** **US D952,435 S**  
**Hsu** (45) **Date of Patent:** **\*\* May 24, 2022**

(54) **HAMMER**  
(71) Applicant: **Cheng-Tung Hsu**, Taipei (TW)  
(72) Inventor: **Cheng-Tung Hsu**, Taipei (TW)  
(\*\*) Term: **15 Years**  
(21) Appl. No.: **29/759,637**  
(22) Filed: **Nov. 24, 2020**  
(51) **LOC (13) Cl.** ..... **08-02**  
(52) **U.S. Cl.**  
USPC ..... **D8/79; D8/91; D8/89**  
(58) **Field of Classification Search**  
USPC .... D8/14, 75, 76, 77, 78, 79, 80, 81, 88, 89  
CPC .... B25F 1/00; B25D 1/00; B25D 1/02; B25D  
1/04; B25D 1/045; B25D 1/06; B25D  
1/12; B66F 15/00; B25G 1/102; B25C  
11/00; E04D 15/00; E04G 23/086  
See application file for complete search history.

D821,841 S \* 7/2018 Honadel ..... D8/81  
D823,660 S \* 7/2018 Pirrone ..... D8/81  
D834,910 S \* 12/2018 Zhang ..... D8/81  
D835,489 S \* 12/2018 Stokes ..... D8/81  
D839,072 S \* 1/2019 Hung ..... D8/89  
D852,018 S \* 6/2019 Hung ..... D8/89  
D858,243 S \* 9/2019 Honadel ..... D8/81  
D863,018 S \* 10/2019 Hernandez, Jr. .... D8/81  
2009/0307847 A1\* 12/2009 Liou ..... B25G 1/04  
7/166  
2015/0014612 A1\* 1/2015 Liou ..... B25F 1/006  
254/26 R

\* cited by examiner

*Primary Examiner* — Philip S Hyder  
(74) *Attorney, Agent, or Firm* — Li & Cai Intellectual  
Property (USA) Office

(57) **CLAIM**

The ornamental design for a hammer, as shown and described.

**DESCRIPTION**

FIG. 1 is a front, right side and top perspective view of a hammer showing the claimed design;  
FIG. 2 is a front elevational view thereof;  
FIG. 3 is a rear elevational view thereof;  
FIG. 4 is a left side elevational view thereof;  
FIG. 5 is a right side elevational view thereof;  
FIG. 6 is a top plan view thereof;  
FIG. 7 is a bottom plan view thereof; and,  
FIG. 8 is a rear, left side and bottom perspective view thereof.

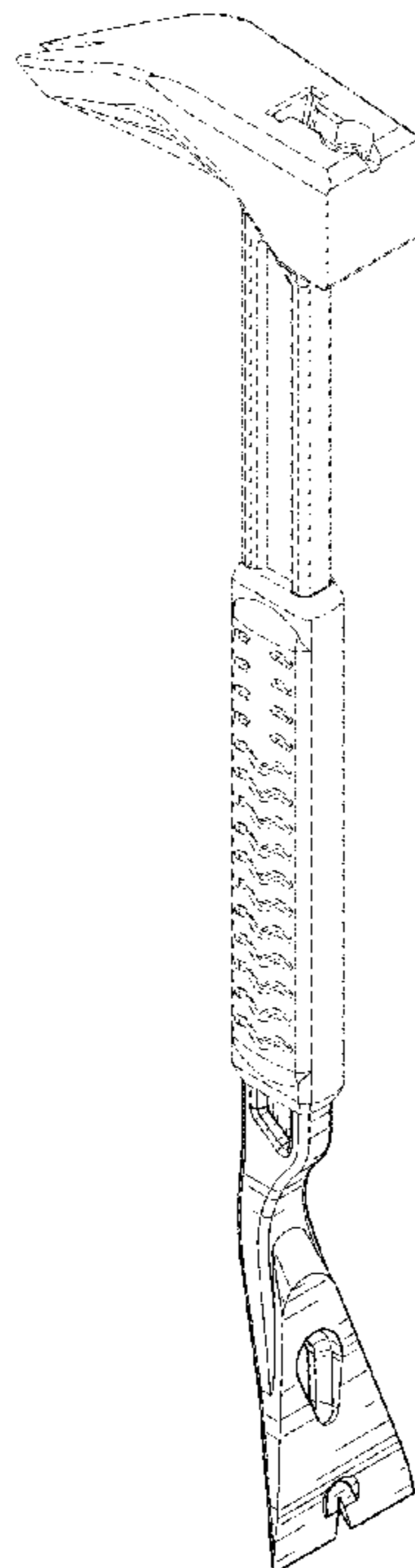
The dashed broken lines in the drawing depict portions of the hammer that form no part of the claimed design.

**1 Claim, 7 Drawing Sheets**

(56) **References Cited**

U.S. PATENT DOCUMENTS

D499,322 S \* 12/2004 Hung ..... D8/89  
D562,101 S \* 2/2008 Martone ..... D8/89  
7,367,545 B1 \* 5/2008 Chen ..... B66F 15/00  
7/166  
D572,106 S \* 7/2008 Chen ..... D8/89  
D577,273 S \* 9/2008 Chen ..... D8/89  
D577,978 S \* 10/2008 Chen ..... D8/89  
D595,555 S \* 7/2009 Vanderbeek ..... D8/89  
D598,726 S \* 8/2009 Higgs ..... D8/89  
7,774,882 B2 \* 8/2010 Liou ..... B25F 1/00  
7/166  
D752,940 S \* 4/2016 Deng ..... D8/81  
D795,668 S \* 8/2017 Poulos ..... D8/81



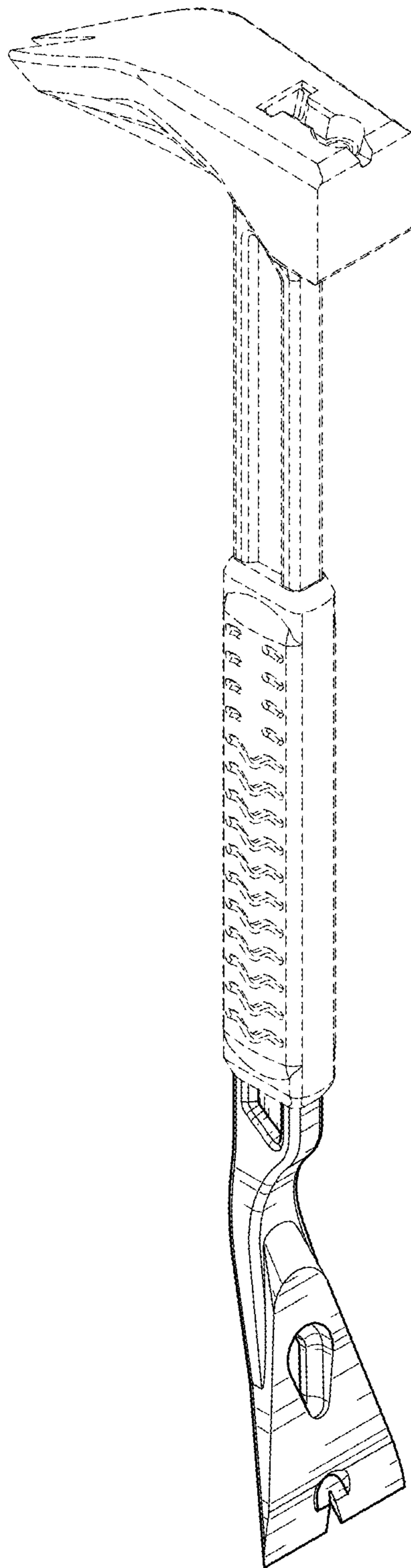


FIG. 1

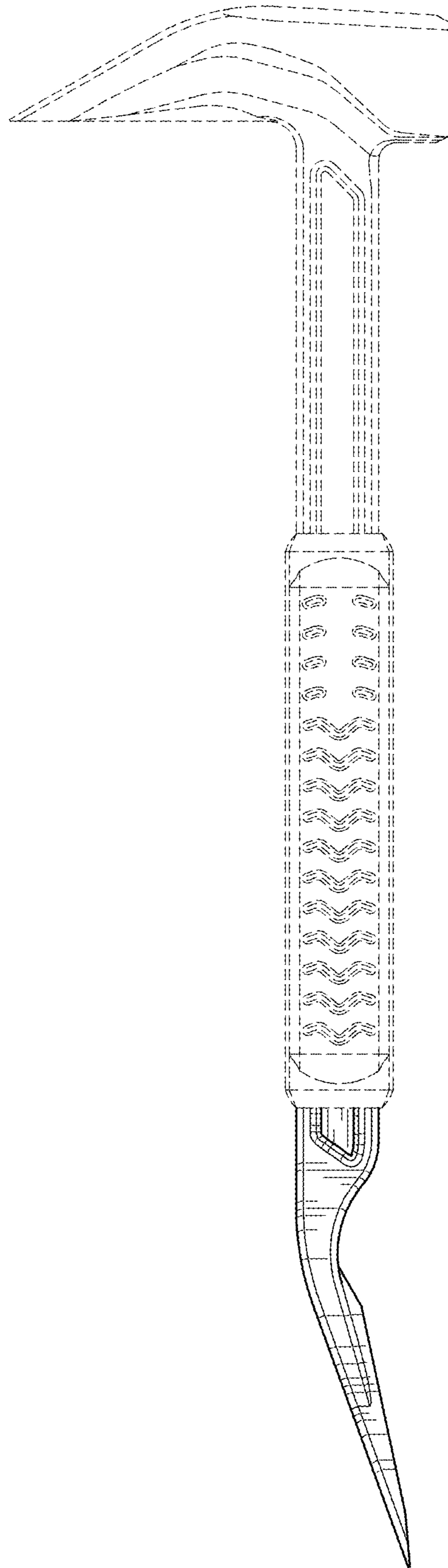


FIG. 2

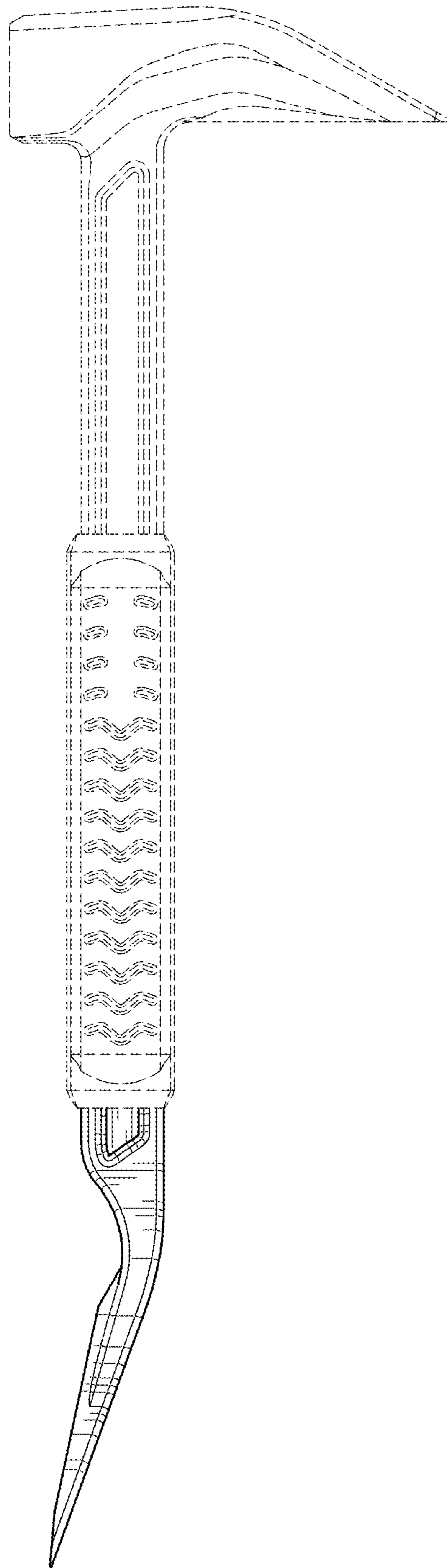


FIG. 3

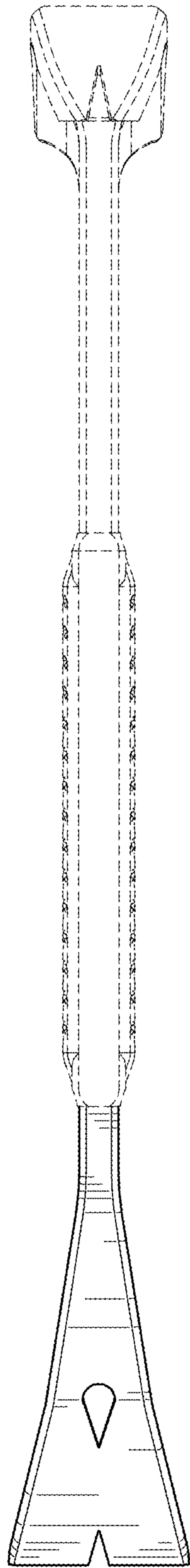


FIG. 4

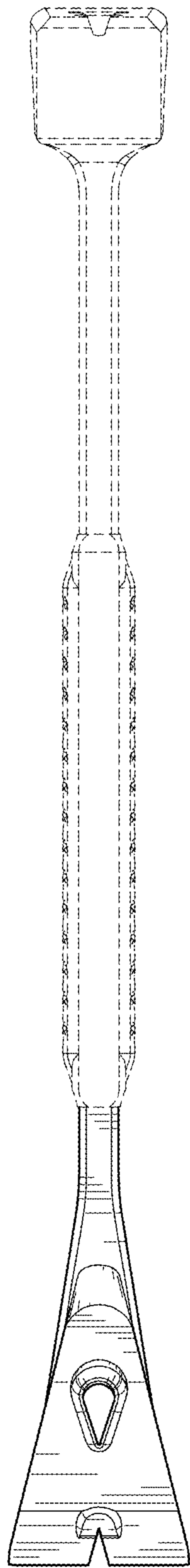


FIG. 5

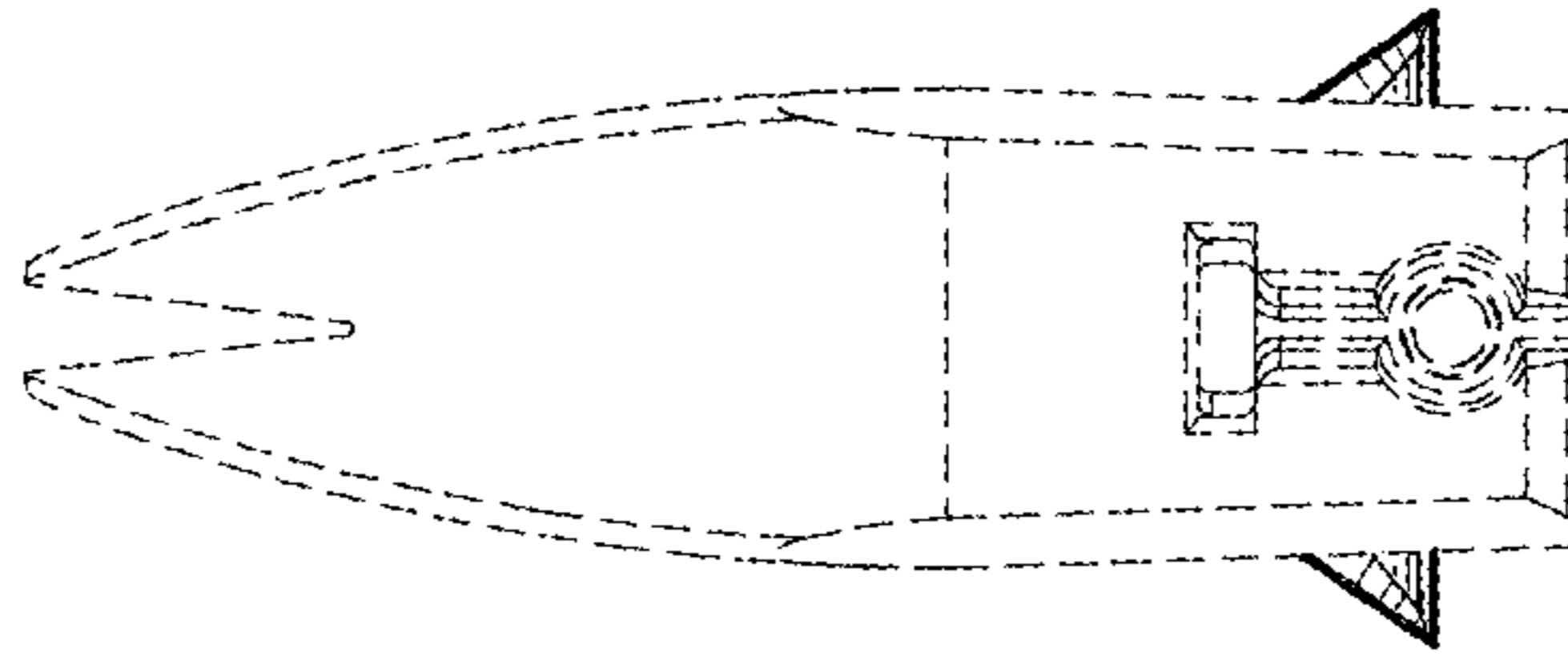


FIG. 6

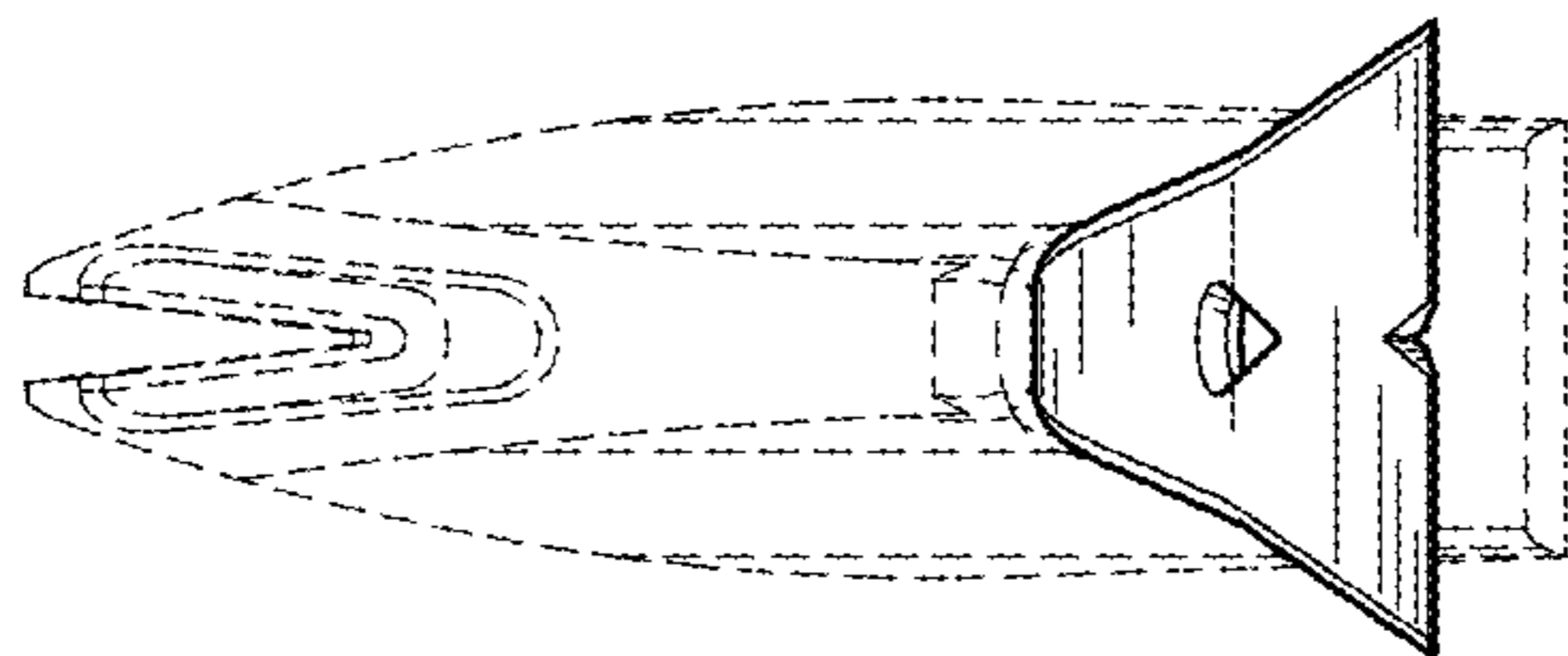


FIG. 7

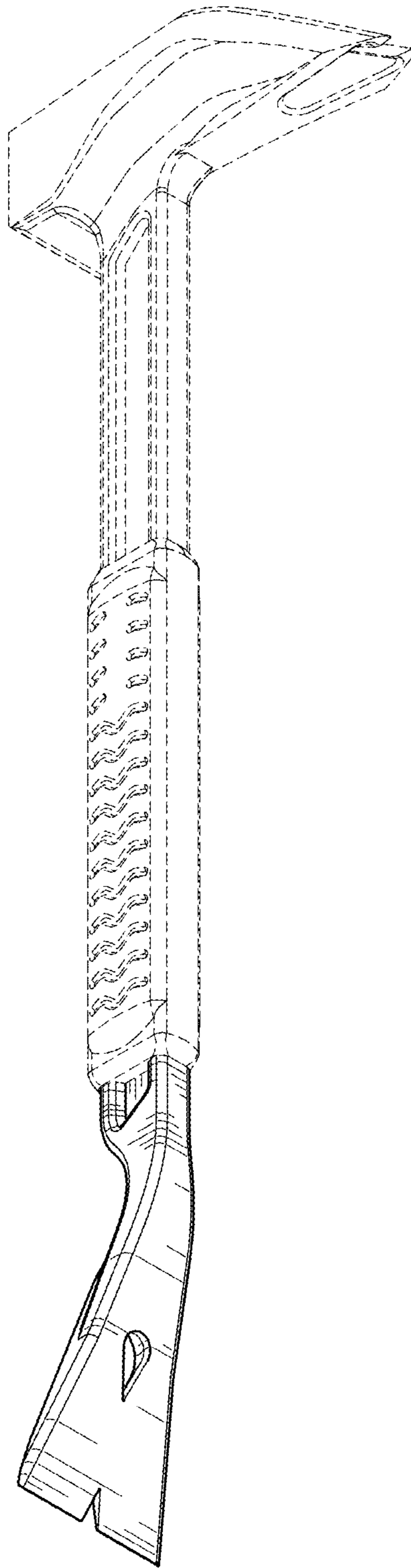


FIG. 8