



US00D952434S

(12) **United States Design Patent**  
**Hsieh**

(10) **Patent No.:** **US D952,434 S**

(45) **Date of Patent:** **\*\* May 24, 2022**

(54) **TOOL RACK**

(71) Applicant: **Chih-Chien Hsieh**, Taichung (TW)

(72) Inventor: **Chih-Chien Hsieh**, Taichung (TW)

(\*\*) Term: **15 Years**

(21) Appl. No.: **29/764,974**

(22) Filed: **Jan. 5, 2021**

(51) **LOC (13) Cl.** ..... **08-05**

(52) **U.S. Cl.**  
USPC ..... **D8/71**

(58) **Field of Classification Search**  
USPC ..... D8/71, 72, 73, 74, 373; D6/400, 553,  
D6/569; D15/133, 140; 248/218.4,  
248/219.2; D3/312, 313  
CPC ..... B25H 3/00; B25H 3/04; A47F 7/0028  
See application file for complete search history.

(56) **References Cited**

**U.S. PATENT DOCUMENTS**

D256,425 S *	8/1980	Hayes	.....	206/378
D281,835 S *	12/1985	Ali	.....	D3/904
6,349,827 B1 *	2/2002	Feder	.....	B25H 3/003 206/443
D557,112 S *	12/2007	Franssen	.....	D8/349
D748,395 S *	2/2016	Hsieh	.....	D3/313
9,597,792 B1 *	3/2017	Kao	.....	B25H 3/04
D787,185 S *	5/2017	Hsieh	.....	D3/313
9,656,385 B1 *	5/2017	Kao	.....	A47F 7/0035
D799,067 S *	10/2017	Forsberg	.....	D25/119
D803,566 S *	11/2017	Hsieh	.....	D3/312
D813,636 S *	3/2018	Hsieh	.....	D8/71
D813,638 S *	3/2018	Hsieh	.....	D8/71
D867,087 S *	11/2019	Kao	.....	D8/71
10,589,416 B1 *	3/2020	Hsieh	.....	F16B 2/22
10,603,785 B1 *	3/2020	Hsieh	.....	B25H 3/003
D909,842 S *	2/2021	Kukucka	.....	D3/312
2016/0221178 A1 *	8/2016	Hsieh	.....	B25F 1/04
2016/0271788 A1 *	9/2016	Hsieh	.....	B25H 3/04

2017/0259425 A1 *	9/2017	Kao	.....	B25H 3/003
2017/0305626 A1 *	10/2017	Jhu	.....	B65D 73/0064
2020/0406447 A1 *	12/2020	Hsieh	.....	B25H 3/04

\* cited by examiner

*Primary Examiner* — Keli L Hill

*Assistant Examiner* — Harold E Blackwell, II

(74) *Attorney, Agent, or Firm* — Egbert, McDaniel & Swartz, PLLC

(57) **CLAIM**

The ornamental design for a tool rack, as shown and described.

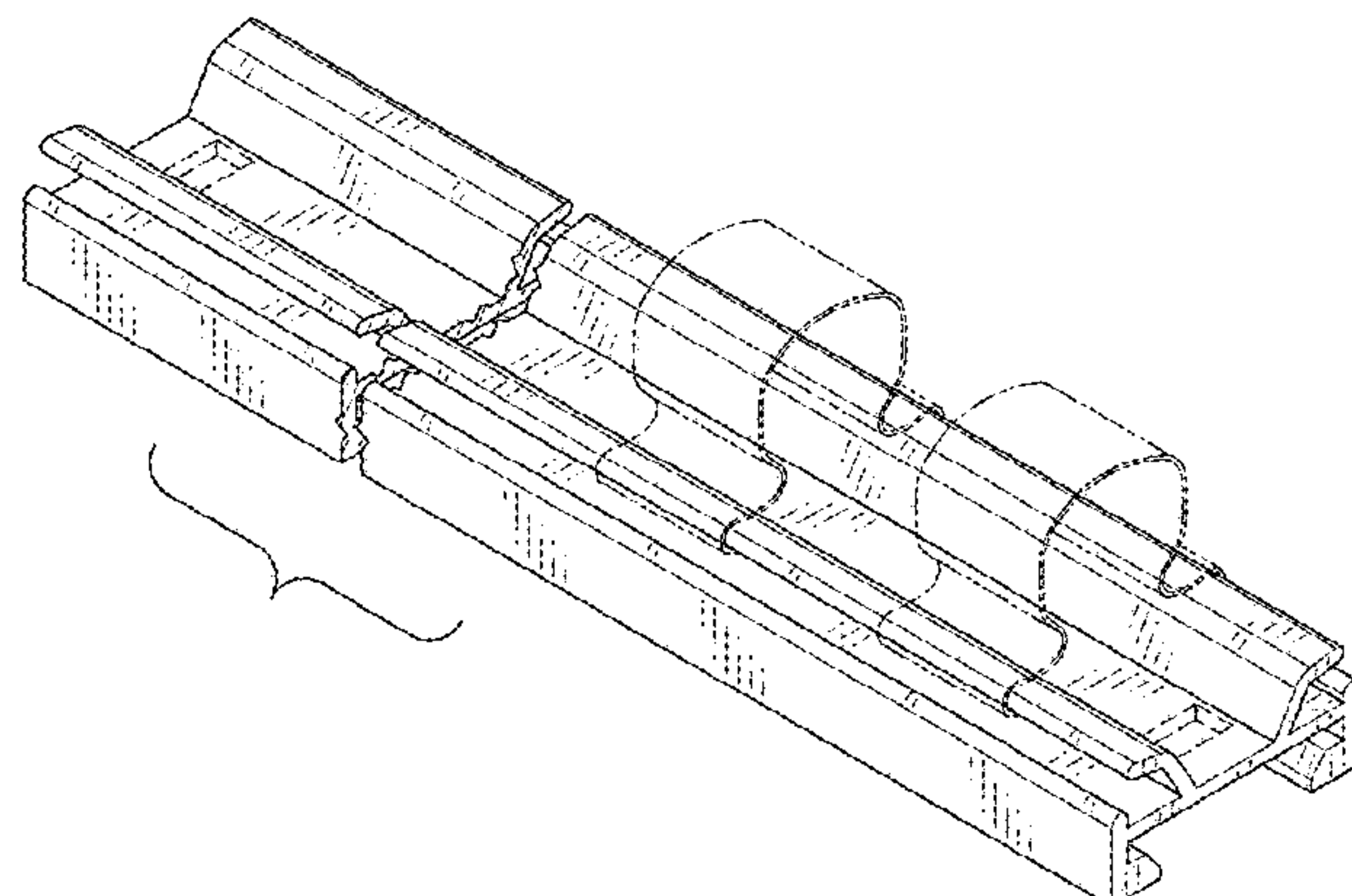
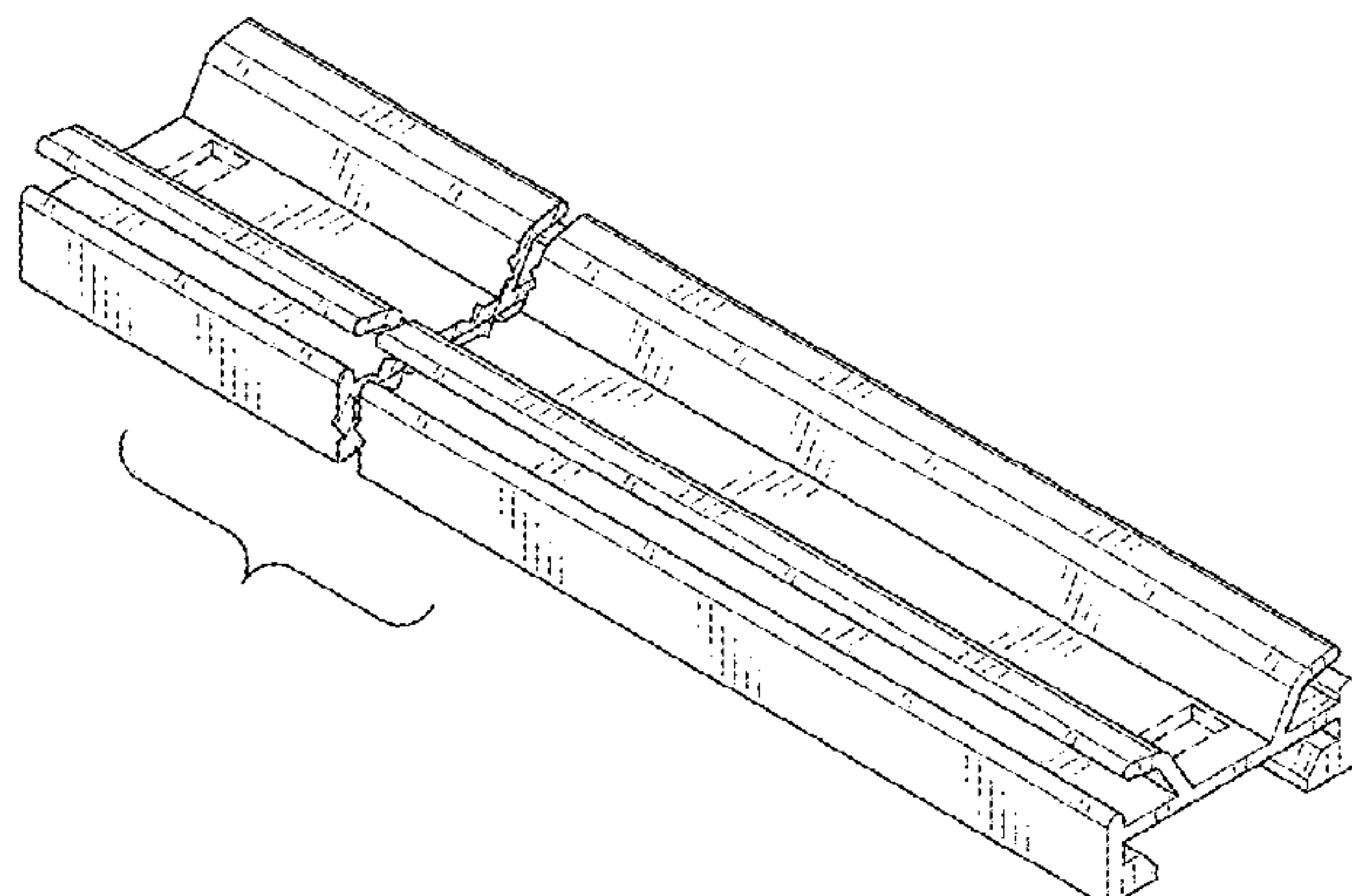
**DESCRIPTION**

FIG. 1 is an upper perspective view of a tool rack showing my new design;  
FIG. 2 is a front view thereof;  
FIG. 3 is a rear view thereof;  
FIG. 4 is a left side view thereof;  
FIG. 5 is a right side view thereof;  
FIG. 6 is a top plan view thereof;  
FIG. 7 is a bottom plan view thereof; and,  
FIG. 8 illustrates the tool rack in a condition of use with two tools positioned thereon.

The cutaway symbols in the drawings indicate a symbolic break in the length of the design for the tool rack indicating an indeterminate length. The appearance of any portion of the tool rack between the break lines forms no part of the claimed design.

The broken line showings of the rectangular opening in FIGS. 1, 6, 7 and 8 illustrate portions of the tool rack that form no part of the claimed design. The broken line showing of the tools affixed to the tool rack in FIG. 8 illustrates the environment of the claimed design and forms no part thereof.

**1 Claim, 8 Drawing Sheets**



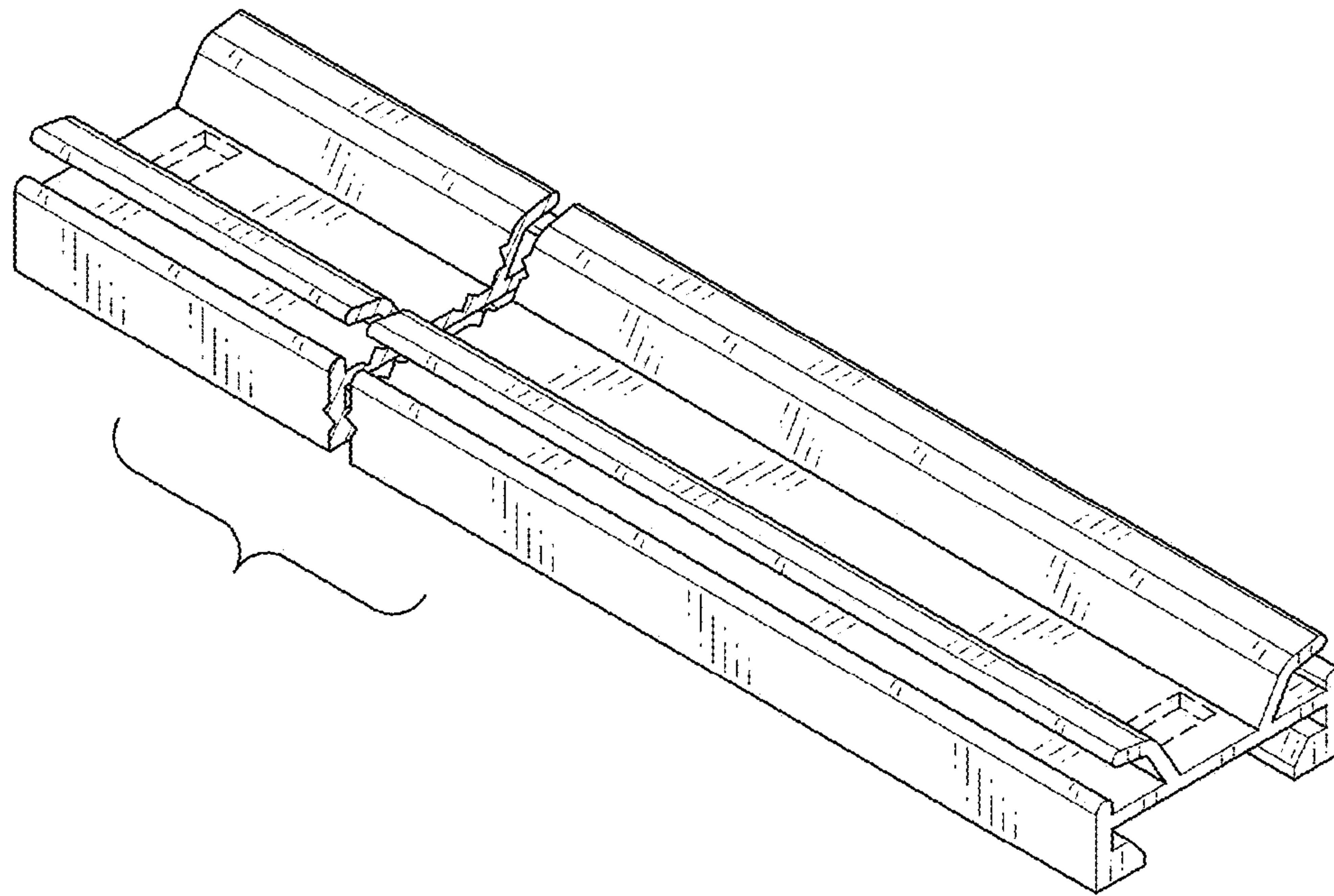


FIG. 1

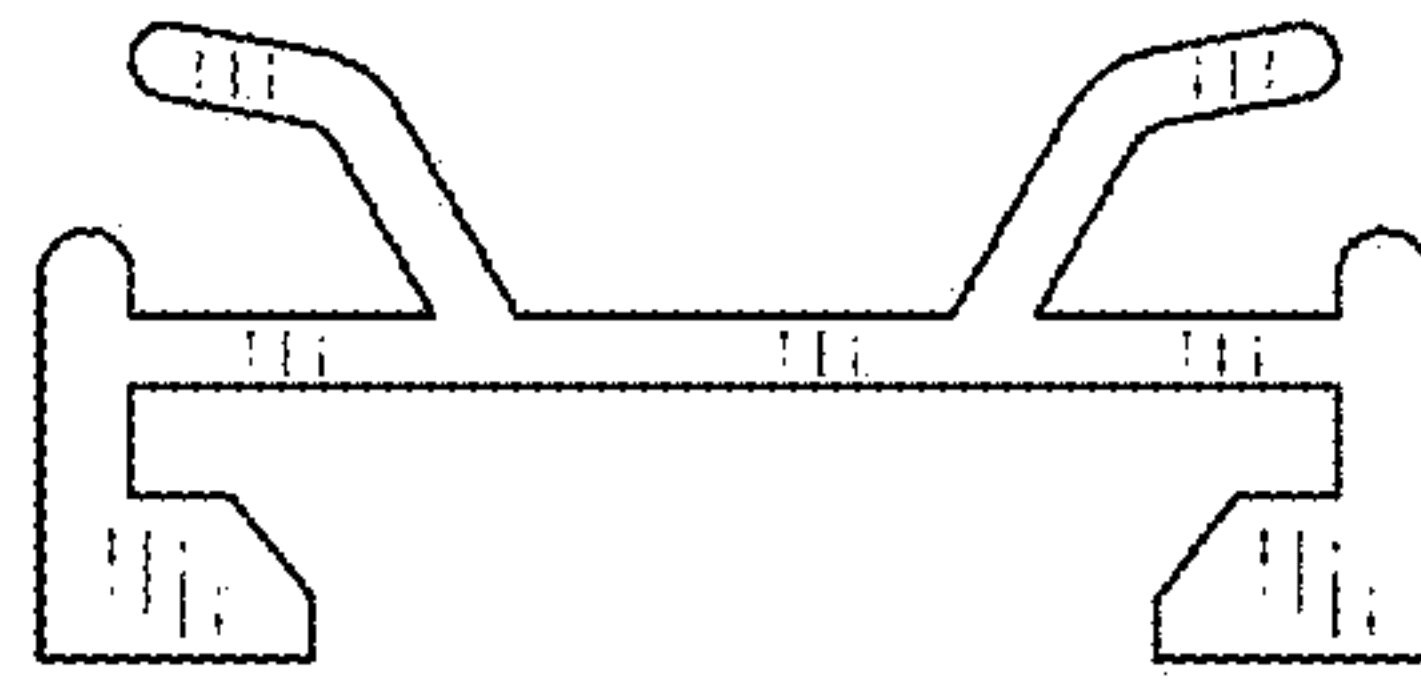


FIG. 2

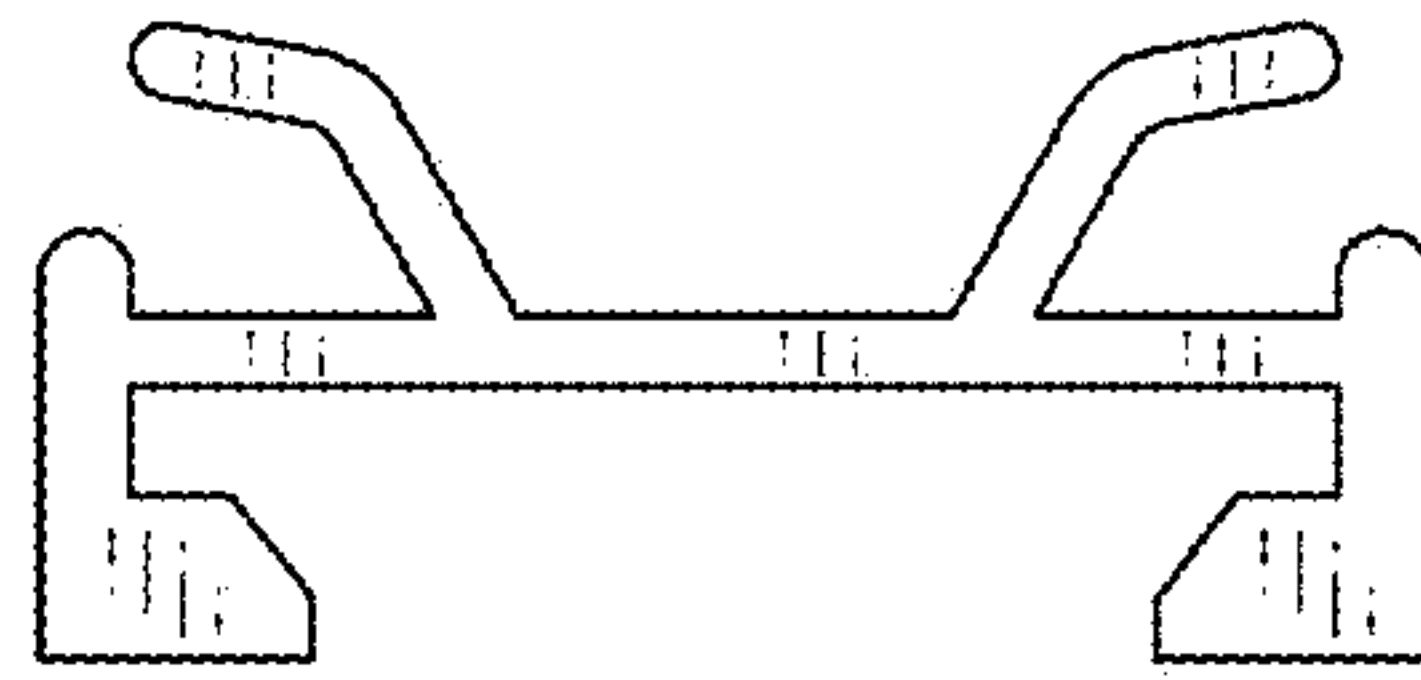


FIG. 3

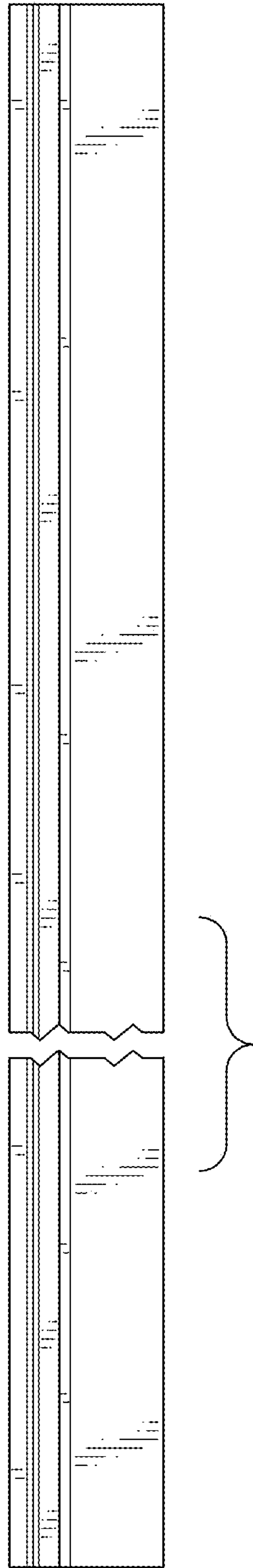


FIG. 4

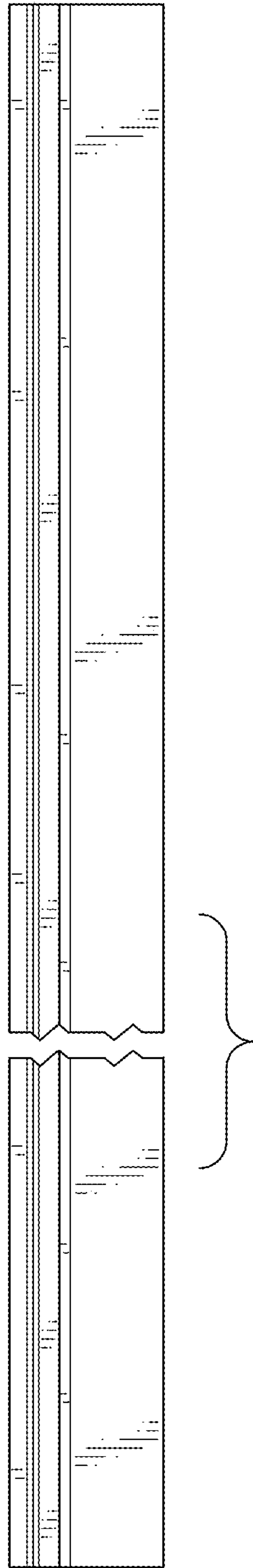


FIG. 5



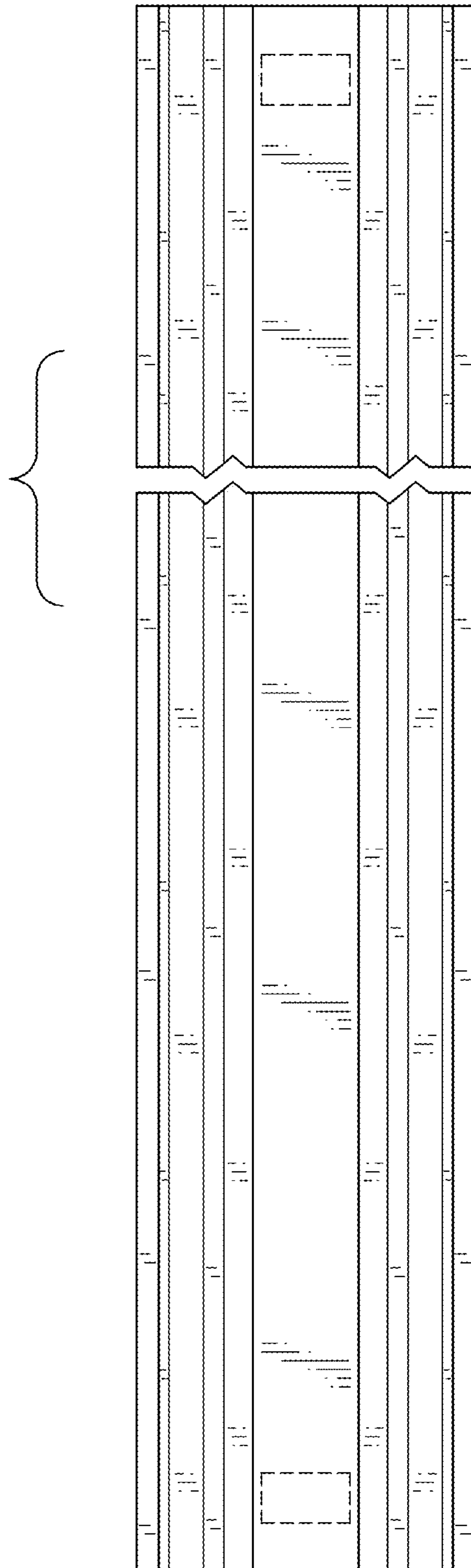


FIG. 6

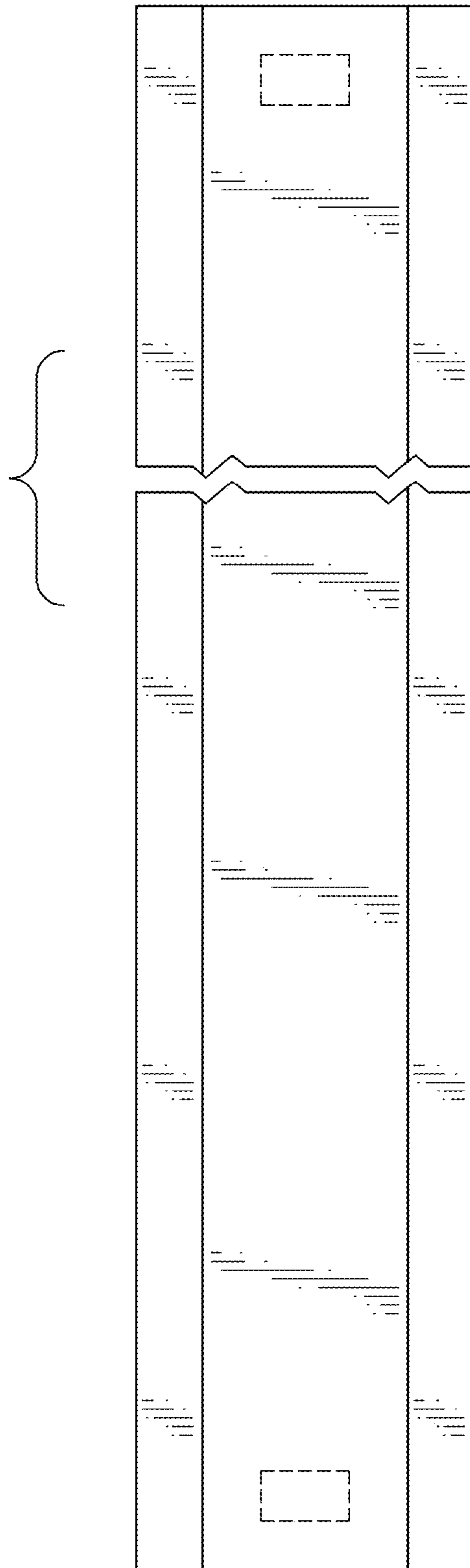


FIG. 7



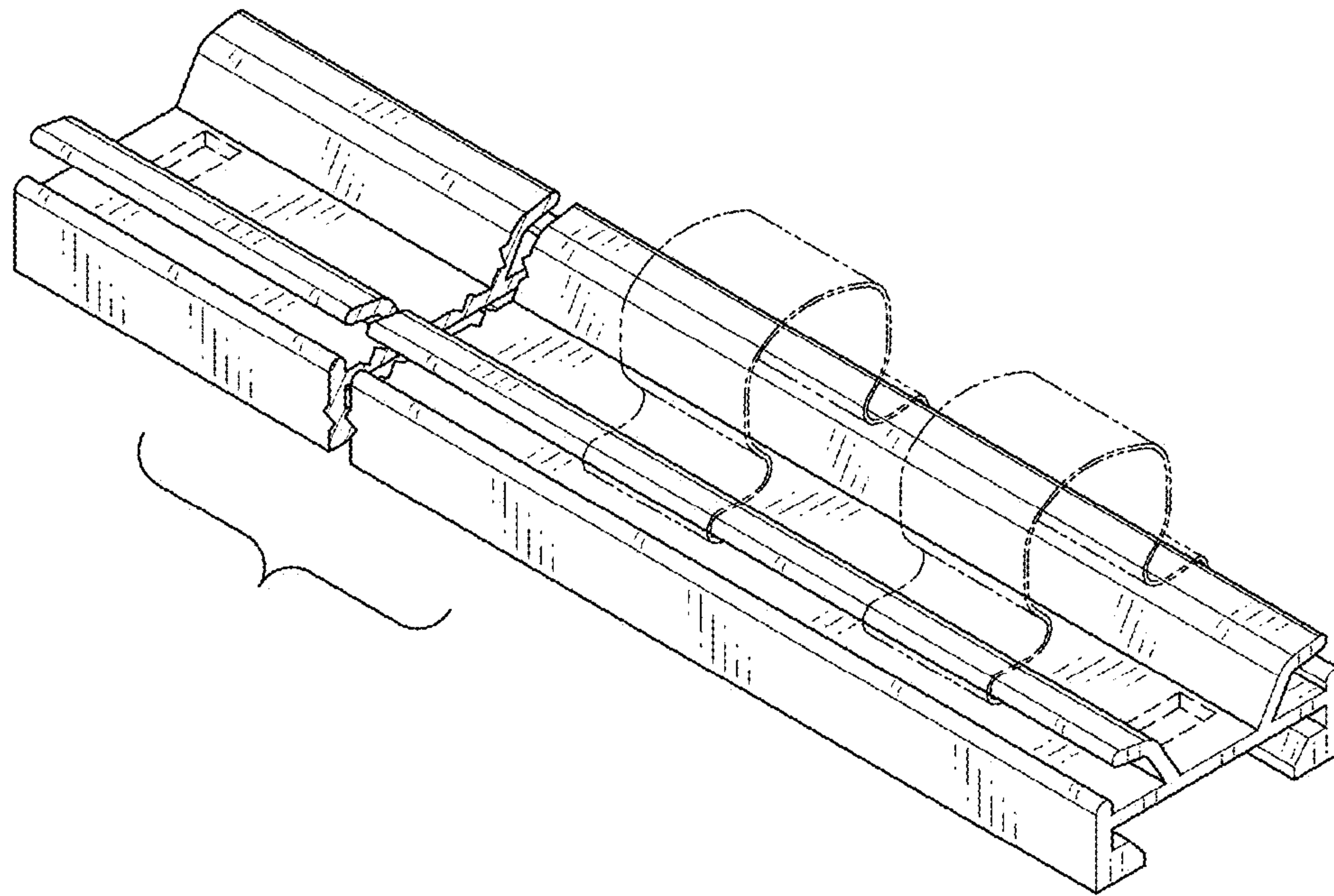


FIG. 8