



US00D952430S

(12) **United States Design Patent**  
**Hasenmayer et al.**

(10) **Patent No.:** **US D952,430 S**

(45) **Date of Patent:** **\*\* May 24, 2022**

(54) **CIRCULAR SAW**

(71) Applicant: **Robert Bosch GmbH**, Stuttgart (DE)

(72) Inventors: **Vincent Hasenmayer**,  
Stuttgart-Möhringen (DE); **Zoran Tasic**,  
Esslingen (DE)

(73) Assignee: **Robert Bosch GmbH**, Stuttgart (DE)

(\*\*) Term: **15 Years**

(21) Appl. No.: **29/723,037**

(22) Filed: **Feb. 4, 2020**

(30) **Foreign Application Priority Data**

Aug. 5, 2019 (EM) ..... 006679403

(51) **LOC (13) Cl.** ..... **08-03**

(52) **U.S. Cl.**  
USPC ..... **D8/66**

(58) **Field of Classification Search**

USPC ..... D8/61-62, 64, 66, 69; D21/532  
CPC .... B23D 55/082; B23D 49/10; B23D 59/006;  
B23D 49/167; B23D 51/02; B23D 1/04;  
B23D 1/045; B23D 45/00; B27B 9/00;  
B27B 9/02; B27B 5/02; B27B 5/18;  
B27B 33/08

See application file for complete search history.

(56) **References Cited**

**U.S. PATENT DOCUMENTS**

D313,155 S \* 12/1990 Somers ..... D8/66  
D315,854 S \* 4/1991 Kawakami ..... D8/66  
D326,399 S \* 5/1992 Fushiya ..... D8/66  
D475,265 S \* 6/2003 Hatch ..... D8/66  
D507,949 S \* 8/2005 Chunn ..... D8/66  
D509,118 S \* 9/2005 Schoen ..... D8/66  
D520,830 S \* 5/2006 Suzuki ..... D8/66  
D520,831 S \* 5/2006 Okada ..... D8/66

D521,836 S \* 5/2006 Hastie ..... D8/66  
D522,336 S \* 6/2006 Waldron ..... D8/66  
D522,831 S \* 6/2006 Andriolo ..... D8/66  
D756,738 S \* 5/2016 Itoh ..... D8/66  
D790,304 S \* 6/2017 Waldron ..... D8/66  
D790,305 S \* 6/2017 Waldron ..... D8/66  
D790,306 S \* 6/2017 Waldron ..... D8/66  
D820,655 S \* 6/2018 Waldron ..... D8/66  
D829,523 S \* 10/2018 Kosugi ..... D8/66  
D849,495 S \* 5/2019 Taniguchi ..... D8/66  
D860,272 S \* 9/2019 Conley ..... D15/133  
D860,745 S \* 9/2019 Turner ..... D8/66

(Continued)

*Primary Examiner* — Susan Bennett Hattan

*Assistant Examiner* — Elizabeth S Ko

(74) *Attorney, Agent, or Firm* — Maginot, Moore & Beck  
LLP

(57) **CLAIM**

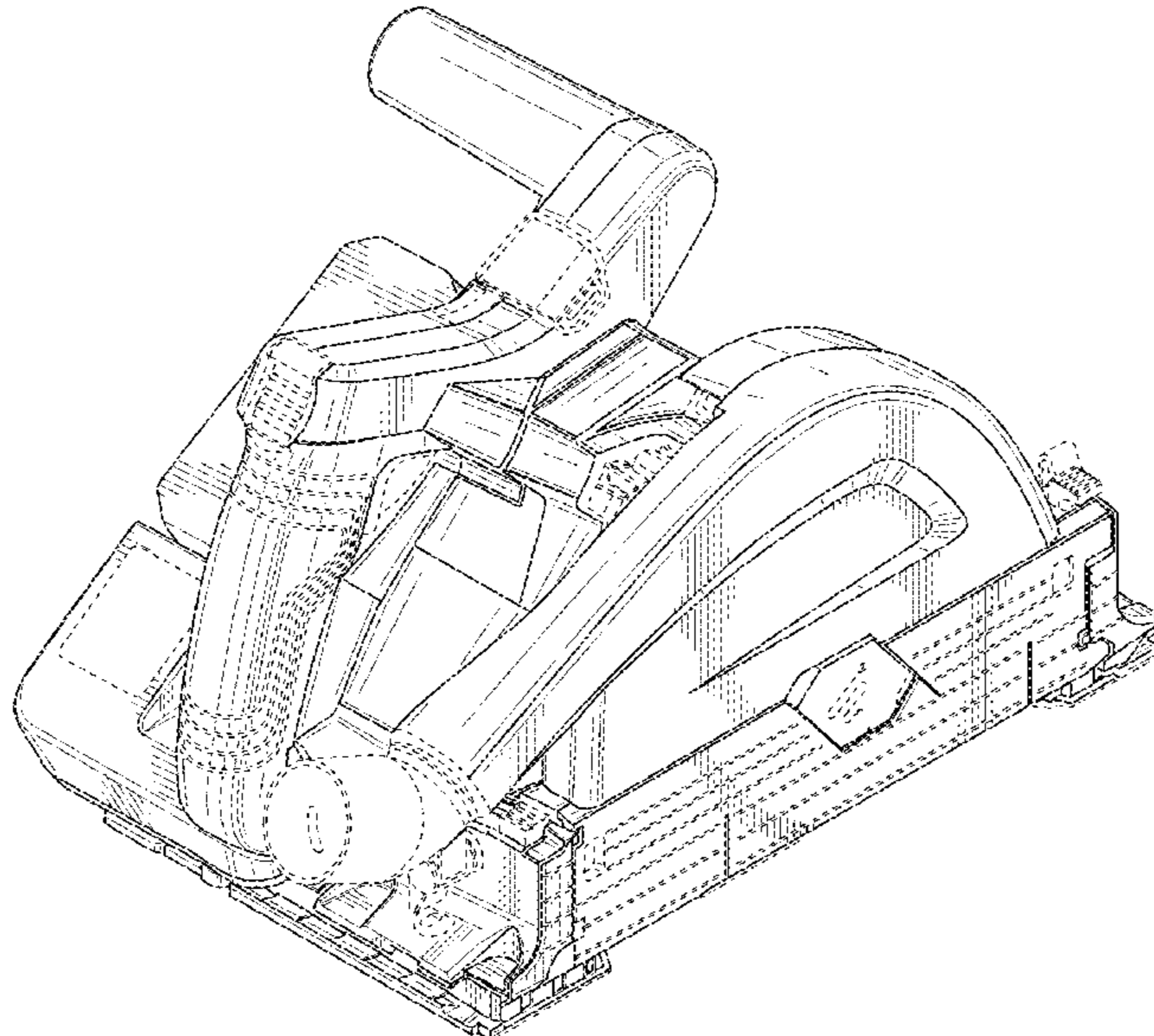
The ornamental design for a circular saw, as shown and  
described.

**DESCRIPTION**

FIG. 1 is a perspective view of a circular saw showing our  
new design;  
FIG. 2 is a right side elevational view of the circular saw of  
FIG. 1;  
FIG. 3 is a left side elevational view of the circular saw of  
FIG. 1;  
FIG. 4 is a front side elevational view of the circular saw of  
FIG. 1;  
FIG. 5 is a rear side elevational view of the circular saw of  
FIG. 1;  
FIG. 6 is a top side plan view of the circular saw of FIG. 1;  
and,  
FIG. 7 is a bottom side plan view of the circular saw of FIG.  
1.

The broken lines shown in the drawings illustrate portions of  
the circular saw that form no part of the claimed design.

**1 Claim, 7 Drawing Sheets**



(56)

**References Cited**

U.S. PATENT DOCUMENTS

D861,451 S	*	10/2019	Wang .....	D8/66
D861,452 S	*	10/2019	Cooper .....	D8/66
D862,187 S	*	10/2019	Borras Marques .....	D8/66
D863,917 S	*	10/2019	Yang .....	D8/66
D863,918 S	*	10/2019	Takahashi .....	D8/66
D883,056 S	*	5/2020	Turner .....	D8/66
D915,852 S	*	4/2021	Yin .....	D8/66
D919,395 S	*	5/2021	Knowles .....	D8/66

\* cited by examiner

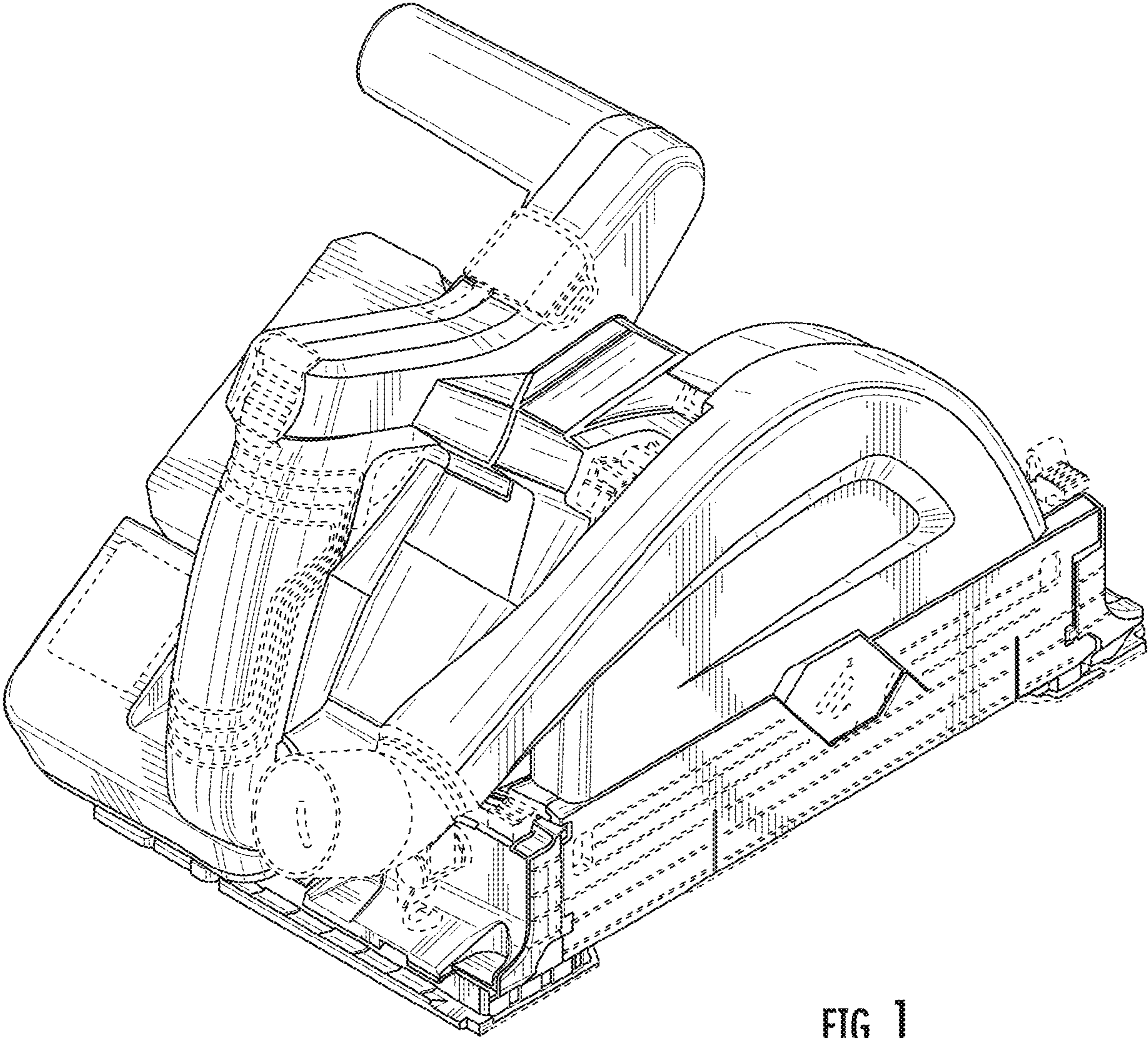


FIG. 1

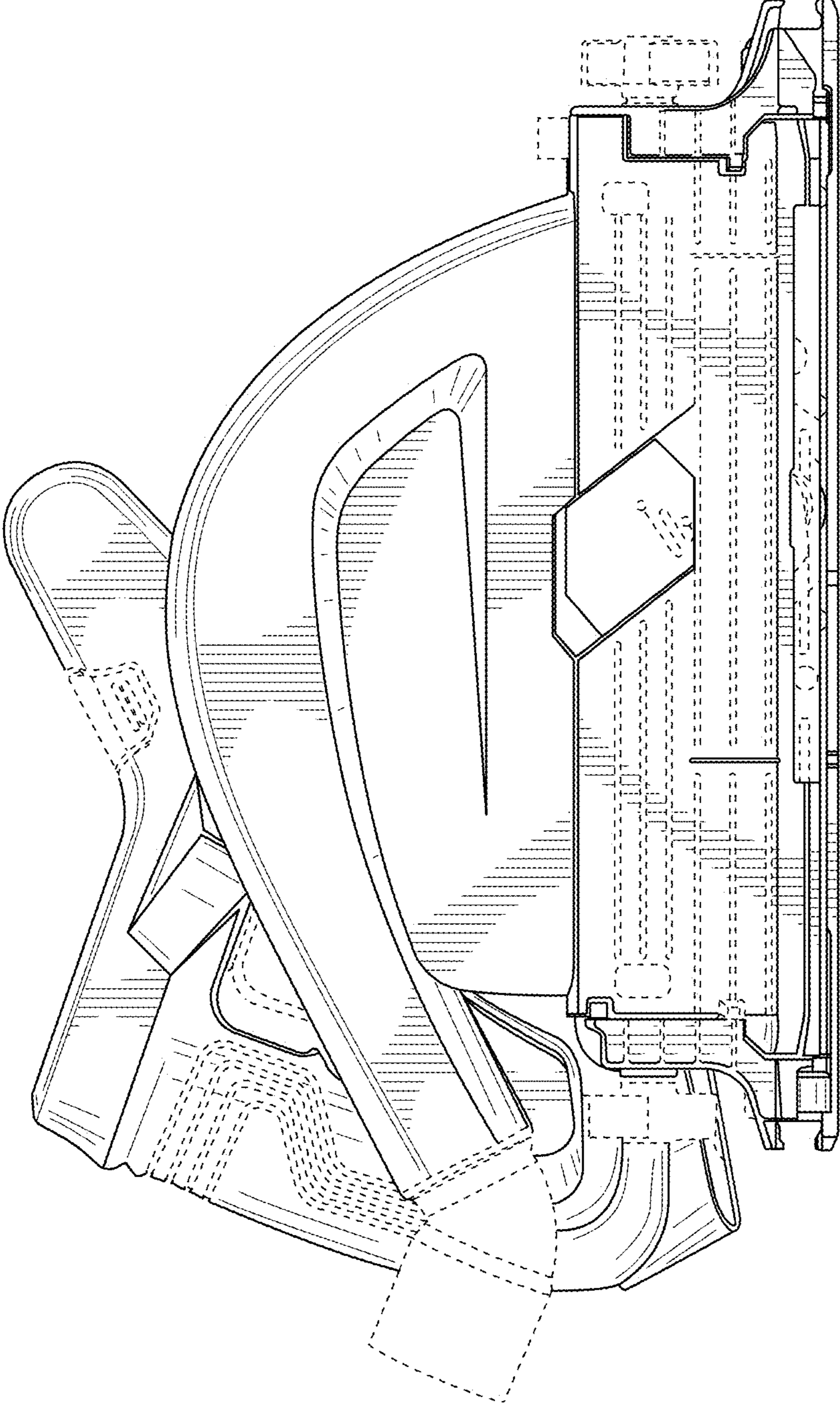


FIG. 2

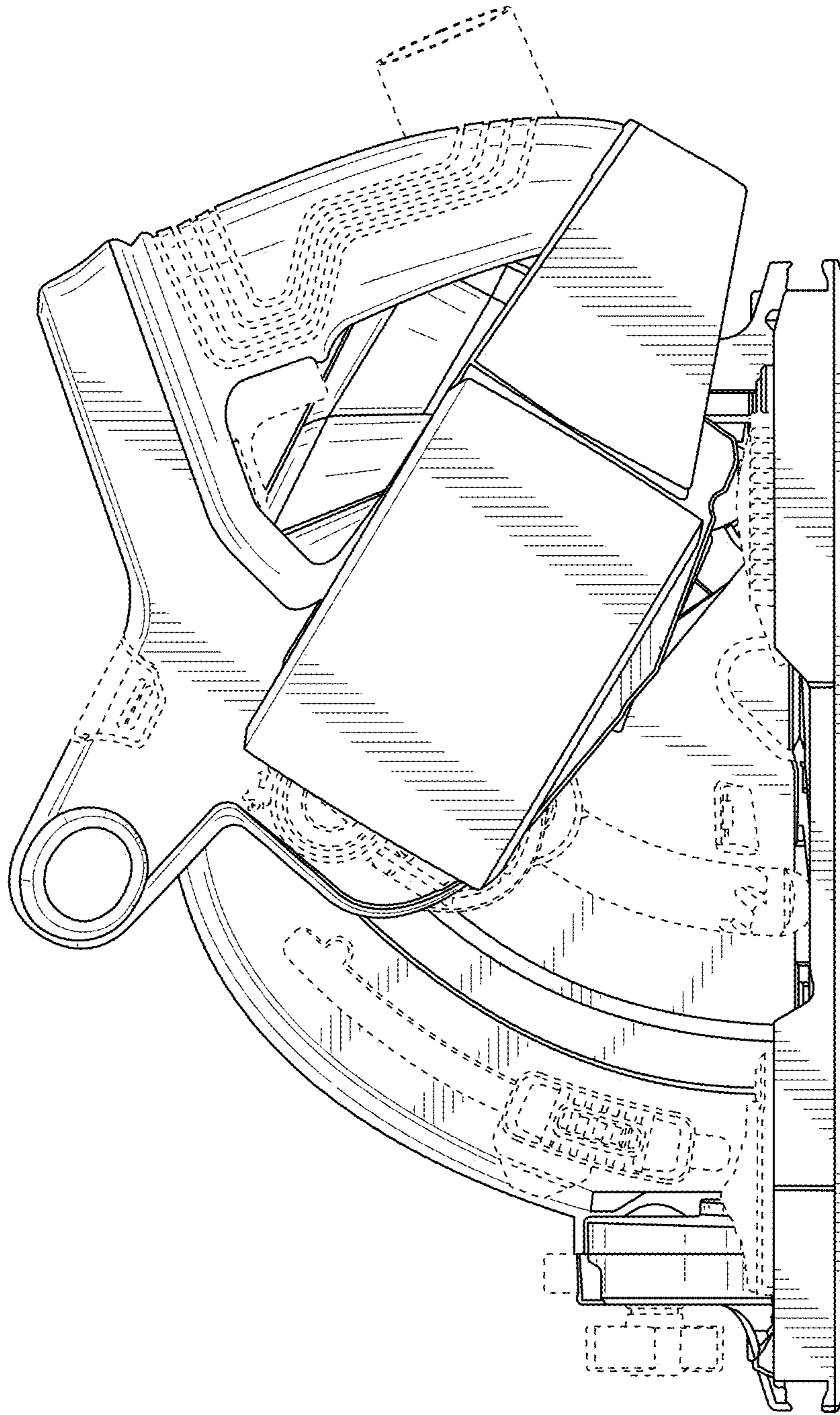


FIG. 3

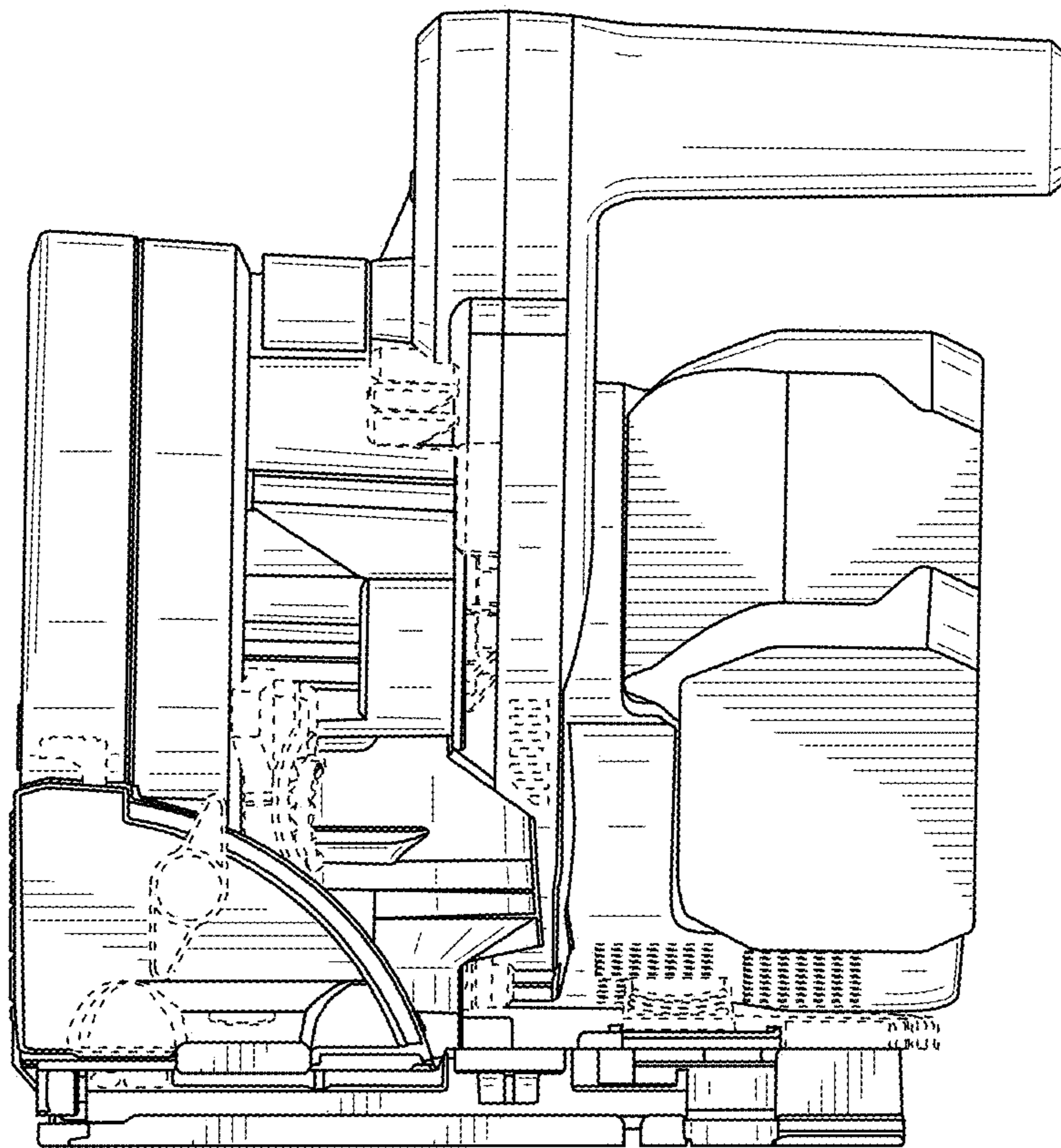


FIG. 4

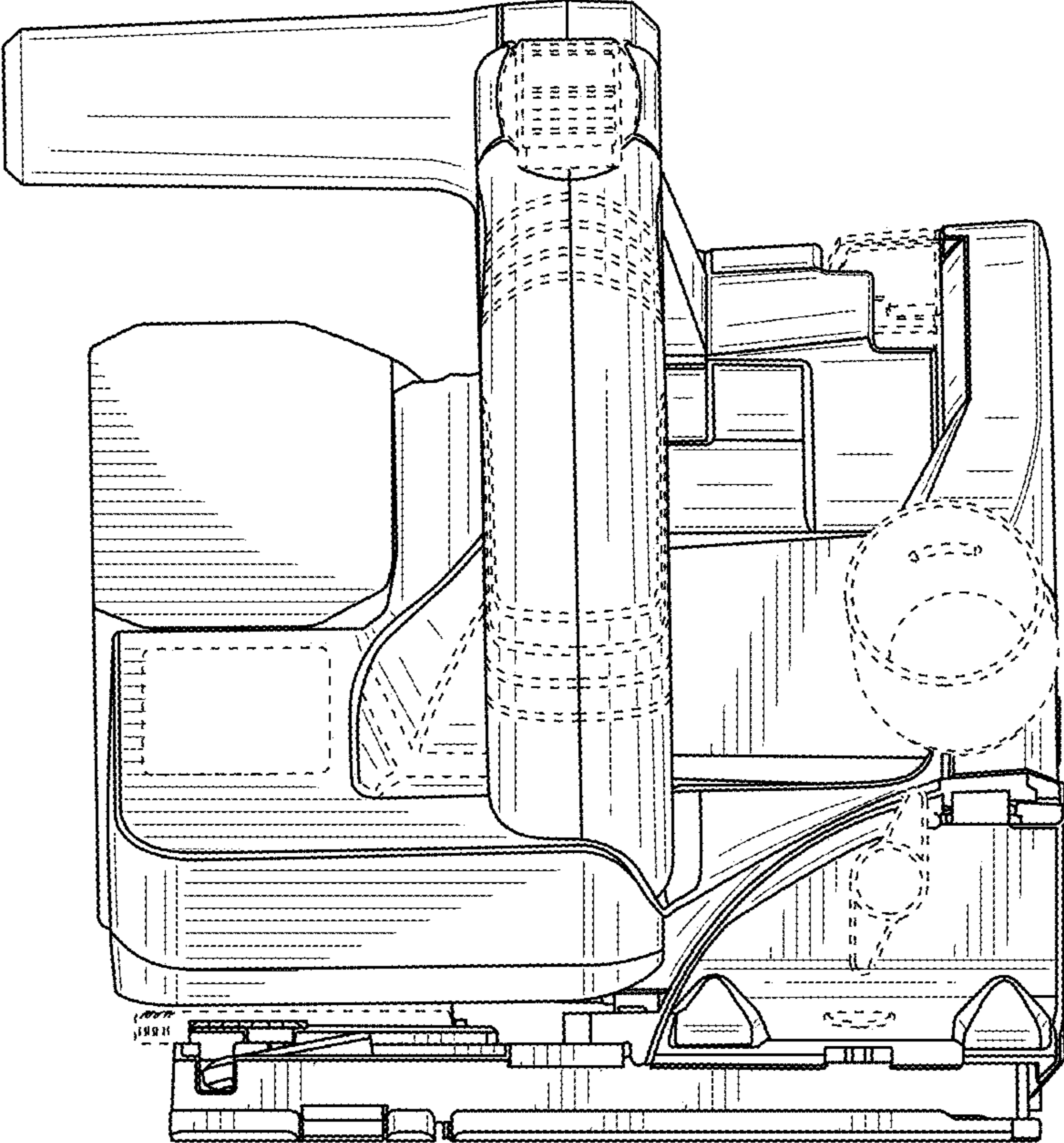


FIG. 5

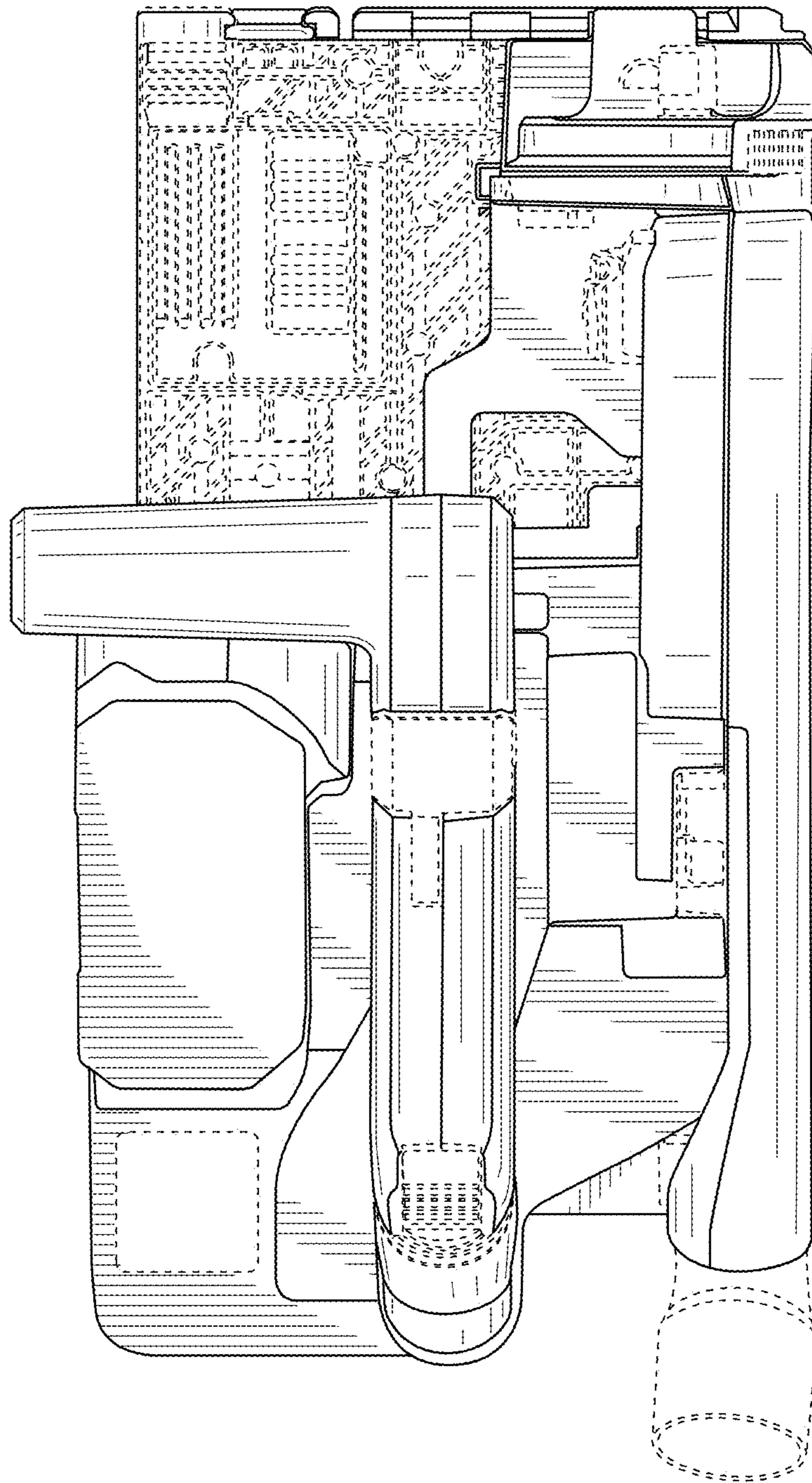


FIG. 6



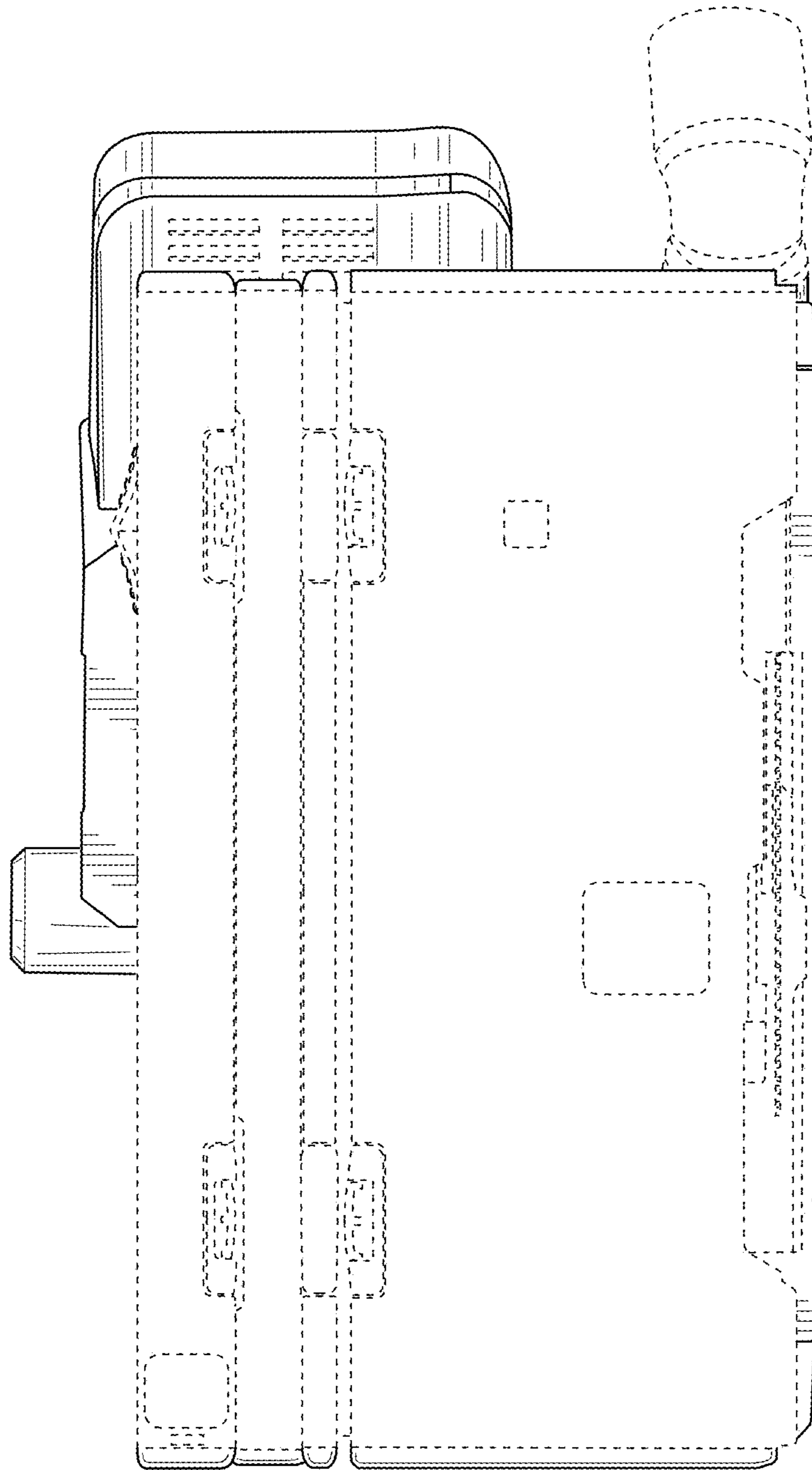


FIG. 7