



US00D952429S

(12) **United States Design Patent** (10) **Patent No.:** **US D952,429 S**
Stenz (45) **Date of Patent:** **** May 24, 2022**

(54) **HYDRAULIC TOOL**

FOREIGN PATENT DOCUMENTS

(71) Applicant: **MILWAUKEE ELECTRIC TOOL CORPORATION**, Brookfield, WI (US)

WO 2015/061425 A1 4/2015

Primary Examiner — Austin Murphy

(72) Inventor: **Christopher D Stenz**, Dousman, WI (US)

(74) *Attorney, Agent, or Firm* — Quarles & Brady LLP

(73) Assignee: **Milwaukee Electric Tool Corporation**, Brookfield, WI (US)

(57) **CLAIM**

(**) Term: **15 Years**

The ornamental design for a hydraulic tool, as shown and described.

(21) Appl. No.: **29/739,320**

(22) Filed: **Jun. 24, 2020**

(51) **LOC (13) Cl.** **08-05**

(52) **U.S. Cl.**
USPC **D8/61**

(58) **Field of Classification Search**
USPC D8/70, 82, 85–87, 105; D15/139; 81/436, 460–461
CPC B25B 13/06; B25B 13/5091; B25B 15/00; B25B 15/001; B25B 15/002; B25B 15/004; B25B 15/005; B25B 15/008; B25B 15/02; B25B 15/04; B25B 17/00; B25B 21/007; B25B 23/00; B25B 23/0035; B25B 23/005; B25B 23/12; B25B 23/1405; B25B 27/18; B25B 31/12; B25B 51/08; B25B 51/108; B25B 2251/66; B23P 15/00

See application file for complete search history.

(56) **References Cited**

U.S. PATENT DOCUMENTS

D361,027 S * 8/1995 Striffler 30/228
D387,961 S * 12/1997 Yasui D8/68
D388,300 S * 12/1997 Jeltsch D8/61
7,814,827 B2 10/2010 Frenken et al.
8,251,157 B2 8/2012 Gray et al.
8,266,991 B2 9/2012 Thorson et al.
8,683,704 B2 4/2014 Scott et al.
8,763,257 B2 7/2014 Thorson et al.
D710,173 S * 8/2014 Frenken D8/68

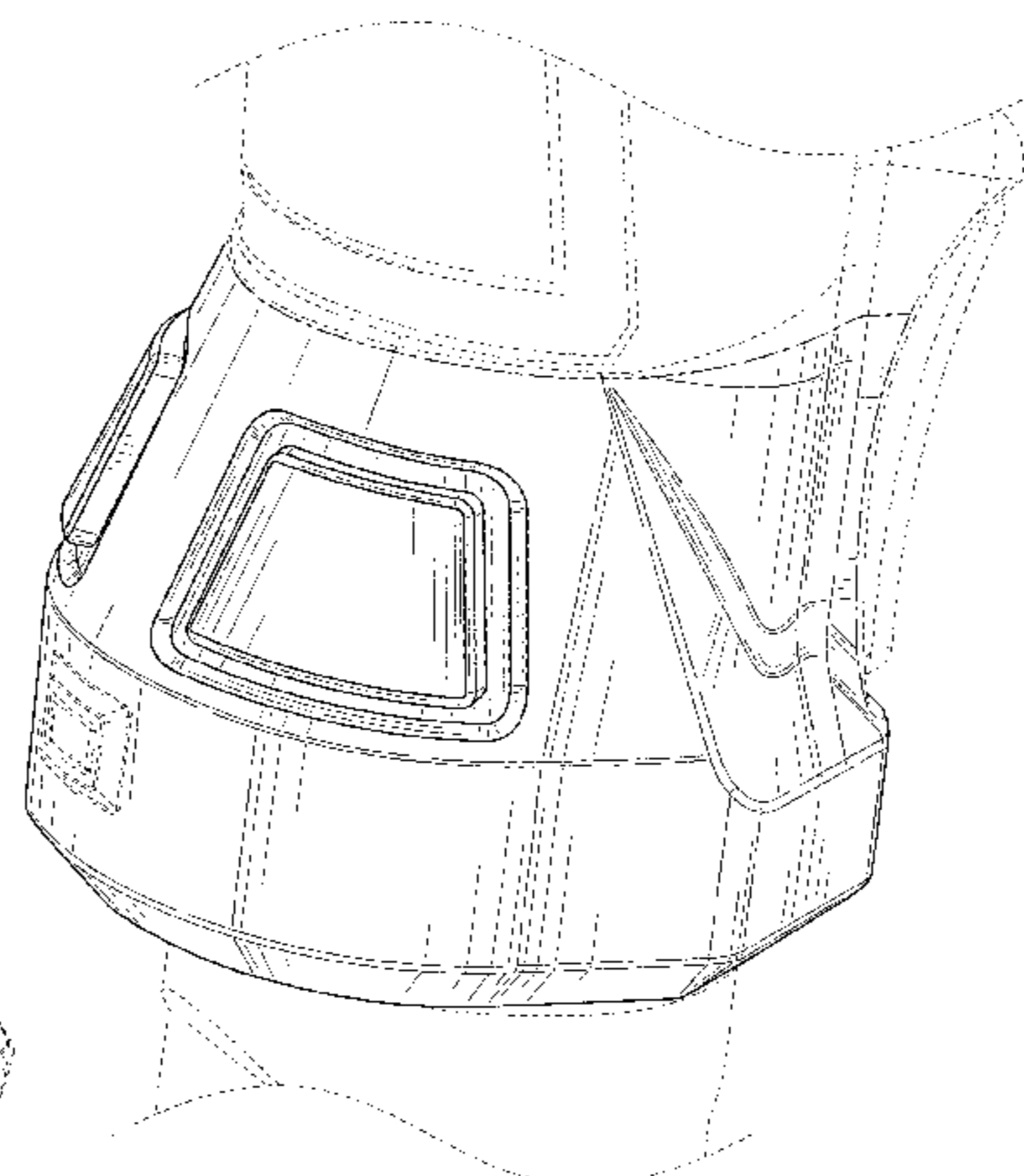
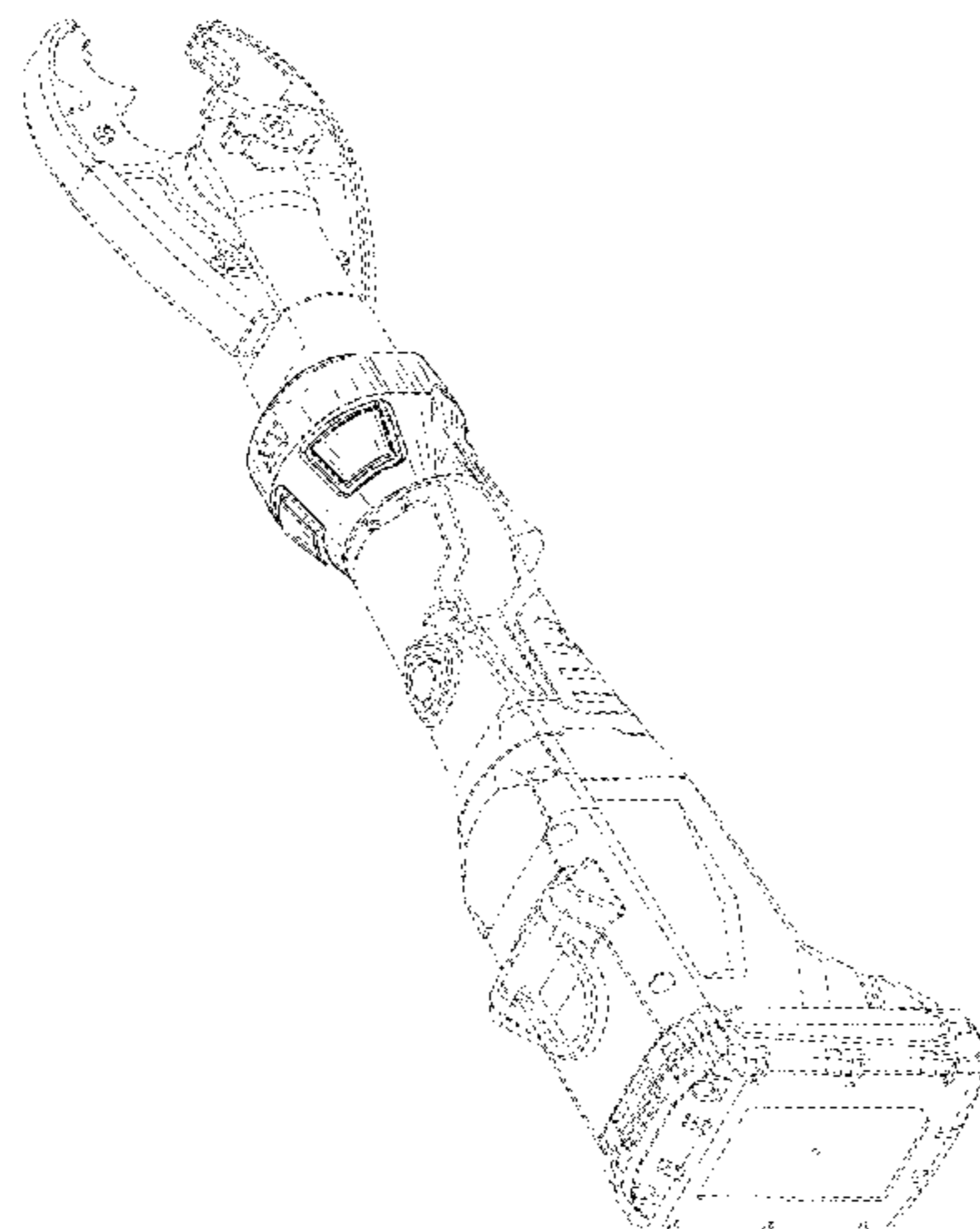
(Continued)

DESCRIPTION

FIG. 1 is an isometric view of a top, rear, and left side of an ornamental design for a hydraulic tool;
FIG. 2 is a front elevational view of the hydraulic tool of FIG. 1;
FIG. 3 is a rear elevational view of the hydraulic tool of FIG. 1;
FIG. 4 is a left side elevational view of the hydraulic tool of FIG. 1;
FIG. 5 is a right side elevational view of the hydraulic tool of FIG. 1;
FIG. 6 is a top plan view of the hydraulic tool of FIG. 1;
FIG. 7 is a bottom plan view of the hydraulic tool of FIG. 1;
FIG. 8 is an enlarged detail view of a portion of the hydraulic tool of FIG. 1;
FIG. 9 is another enlarged detail view of a portion of the hydraulic tool of FIG. 1; and,
FIG. 10 is yet another enlarged detail view of a portion of the hydraulic tool of FIG. 1.

The dash-dash-dash lines are included for the purpose of illustrating portions that form no part of the claimed design. The dash-dot-dash lines are included for the purpose of illustrating boundary lines and form no part of the claimed design. The wavy dash-dash-dash lines of FIGS. 8-10 represent outer bounds of the detail portions and no part of the claimed design.

1 Claim, 10 Drawing Sheets



(56)

References Cited

U.S. PATENT DOCUMENTS

D716,124 S *	10/2014	Kamijyo	D8/61	2012/0318546 A1	12/2012	Gray et al.
8,851,200 B2	10/2014	Gray et al.		2013/0008031 A1	1/2013	Thorson et al.
8,875,404 B2	11/2014	Scott et al.		2013/0097873 A1	4/2013	Luo et al.
9,016,317 B2	4/2015	Myrhum, Jr.		2014/0034159 A1	2/2014	Myrhum, Jr.
D729,602 S *	5/2015	Stucki	D8/61	2014/0173907 A1	6/2014	Scott et al.
D734,112 S *	7/2015	Herault	D8/61	2014/0182137 A1	7/2014	Liu et al.
9,196,881 B2	11/2015	Gray et al.		2015/0014008 A1	1/2015	Gray et al.
9,302,402 B2	4/2016	Thorson et al.		2015/0217438 A1	8/2015	Myrhum, Jr.
D767,960 S *	10/2016	Haneishi	D8/61	2016/0099533 A1	4/2016	Kehoe
9,484,700 B2	11/2016	Kehoe		2016/0214265 A1	7/2016	Thorson et al.
9,486,864 B2	11/2016	Luo et al.		2016/0252112 A1	9/2016	Kehoe et al.
9,486,865 B2	11/2016	Scott et al.		2016/0288193 A1	10/2016	Thorson et al.
9,669,533 B2	6/2017	Myrhum, Jr.		2016/0329674 A1	11/2016	Ballard et al.
9,808,851 B2	11/2017	Thorson et al.		2016/0363510 A1	12/2016	Kanack et al.
D805,365 S	12/2017	Ballard et al.		2016/0364687 A1	12/2016	Matson et al.
10,046,470 B2	8/2018	Thorson et al.		2016/0373457 A1	12/2016	Matson et al.
10,093,012 B2	10/2018	Koski et al.		2017/0013740 A1	1/2017	Mergener et al.
10,128,723 B2	11/2018	Mergener et al.		2017/0271893 A1	9/2017	Brozek
D835,487 S *	12/2018	Wason	D8/61	2017/0355027 A1	12/2017	D'Antuono
D835,963 S *	12/2018	Barezzani	D8/68	2017/0356472 A1	12/2017	Ballard et al.
10,213,821 B2	2/2019	Thorson et al.		2018/0021840 A1	1/2018	Thorson et al.
10,226,826 B2	3/2019	Kehoe et al.		2018/0085903 A1	3/2018	Wackwitz et al.
D845,729 S *	4/2019	Kitahara	D8/61	2018/0085909 A1	3/2018	Koski et al.
10,265,758 B2	4/2019	Skinner et al.		2018/0093319 A1	4/2018	Skinner et al.
10,270,263 B2	4/2019	Brozek		2018/0099388 A1	4/2018	Koski et al.
10,312,653 B2	6/2019	Ballard et al.		2018/0147618 A1	5/2018	Skinner et al.
10,339,496 B2	7/2019	Matson et al.		2018/0281272 A1	10/2018	Dickert et al.
10,343,266 B2	7/2019	Theiler et al.		2018/0311805 A1	11/2018	Koski et al.
10,380,883 B2	8/2019	Matson et al.		2019/0052149 A1	2/2019	Mergener et al.
D858,237 S *	9/2019	Haneishi	D8/61	2019/0151967 A1	5/2019	Kehoe et al.
D859,949 S *	9/2019	Wason	D8/61	2019/0156278 A1	5/2019	Matson et al.
10,428,843 B2	10/2019	Ballard et al.		2019/0176207 A1	6/2019	Thorson et al.
10,498,195 B2	12/2019	Mergener et al.		2019/0232481 A1	8/2019	Skinner et al.
10,618,151 B2	4/2020	Kanack et al.		2019/0260266 A1	8/2019	Hessenberger et al.
10,700,575 B2	6/2020	Hessenberger et al.		2019/0318616 A1	10/2019	Matson et al.
2005/0011236 A1	1/2005	Frenken et al.		2020/0001446 A1	1/2020	Ballard et al.
2007/0003392 A1	1/2007	Frenken et al.		2020/0055130 A1	2/2020	D'Antuono et al.
2008/0069663 A1	3/2008	Frenken et al.		2020/0061854 A1	2/2020	D'Antuono
2009/0229842 A1	9/2009	Gray et al.		2020/0070262 A1	3/2020	D'Antuono
2010/0088898 A1	4/2010	Thorson et al.		2020/0070263 A1	3/2020	Olbrich
2010/0325894 A1	12/2010	Scott et al.		2020/0147771 A1	5/2020	Mergener et al.
2011/0005083 A1	1/2011	Scott et al.		2020/0180128 A1	6/2020	Schneider et al.
2011/0005084 A1	1/2011	Thorson et al.		2020/0238487 A1	7/2020	Kanack et al.
				2020/0261959 A1	8/2020	Wekwert et al.
				2020/0266684 A1	8/2020	Hessenberger et al.

* cited by examiner

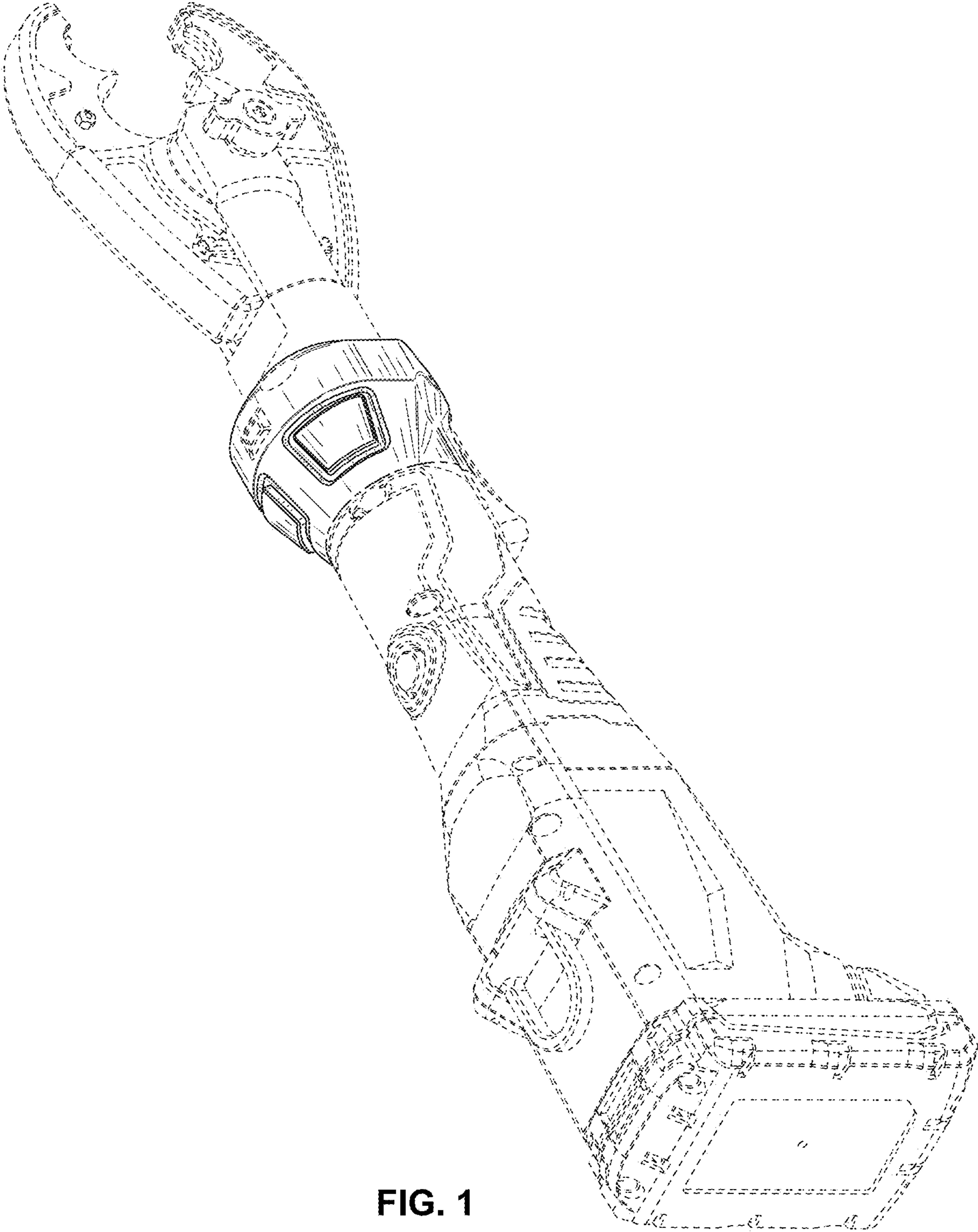


FIG. 1

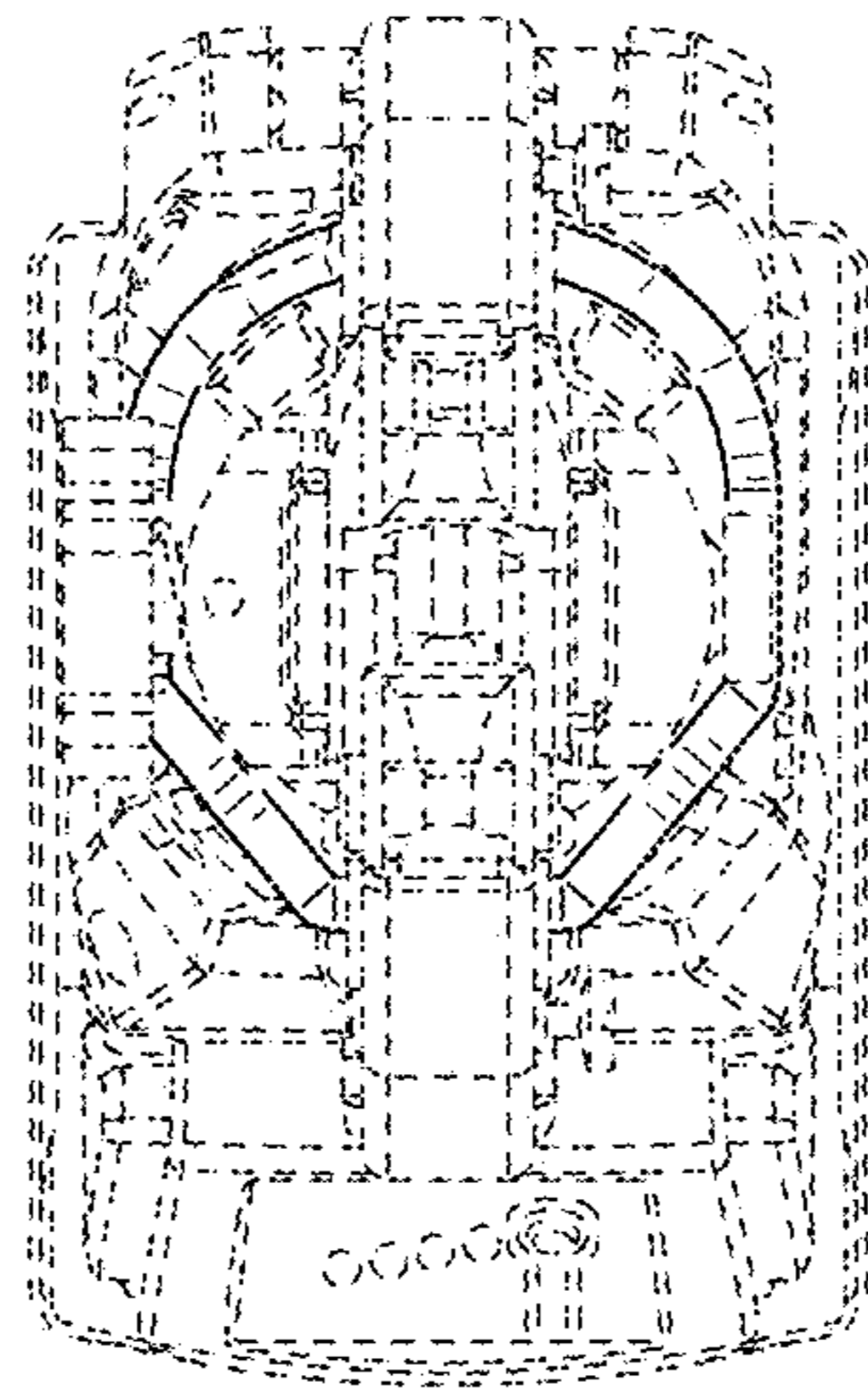


FIG. 2

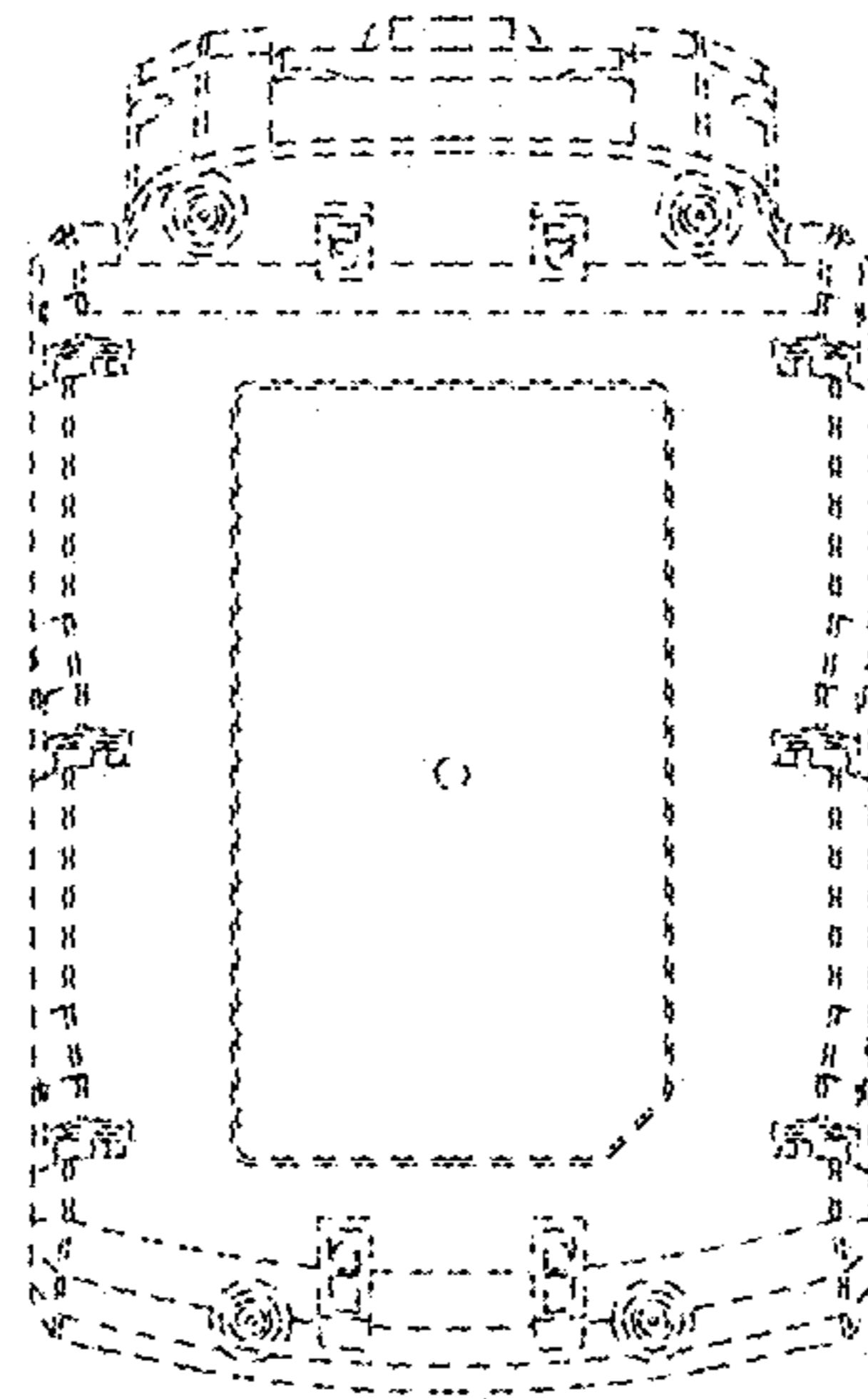


FIG. 3

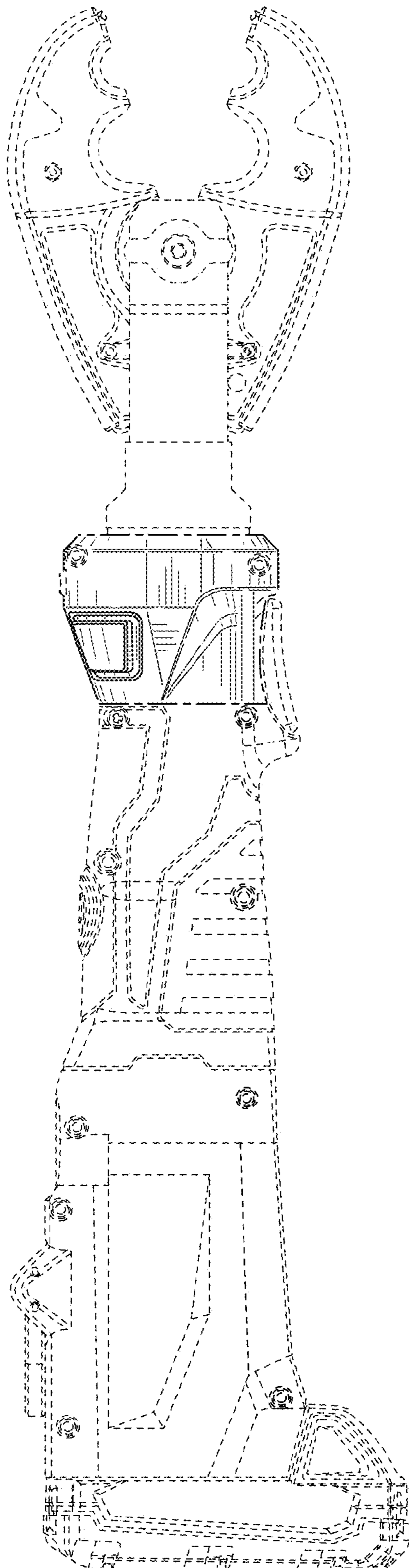


FIG. 4

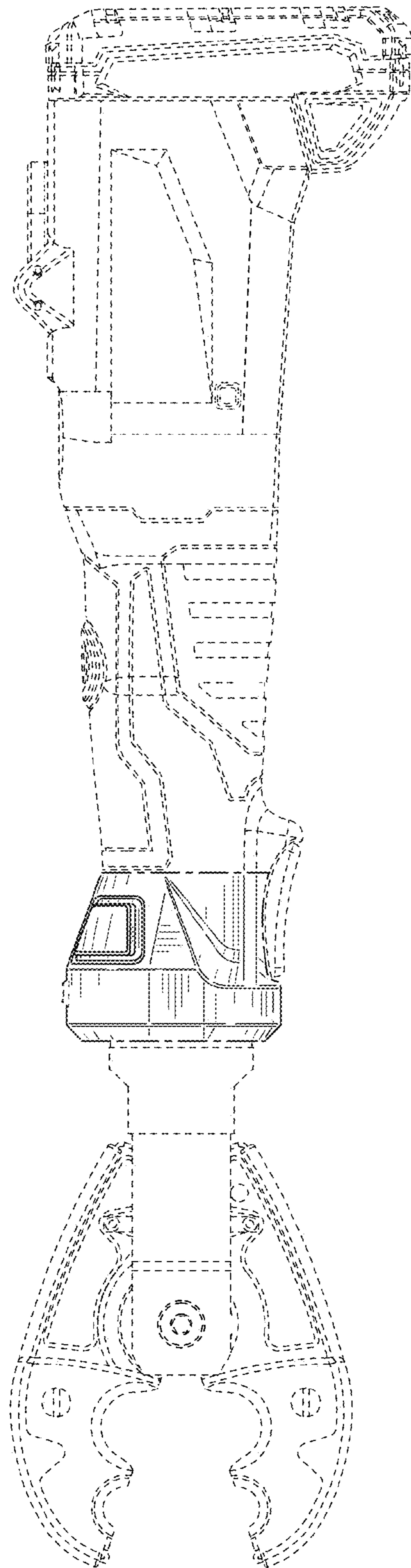


FIG. 5

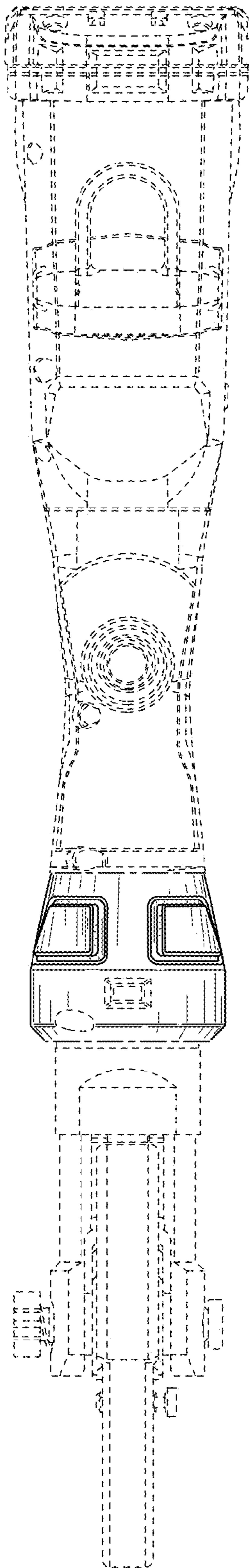


FIG. 6

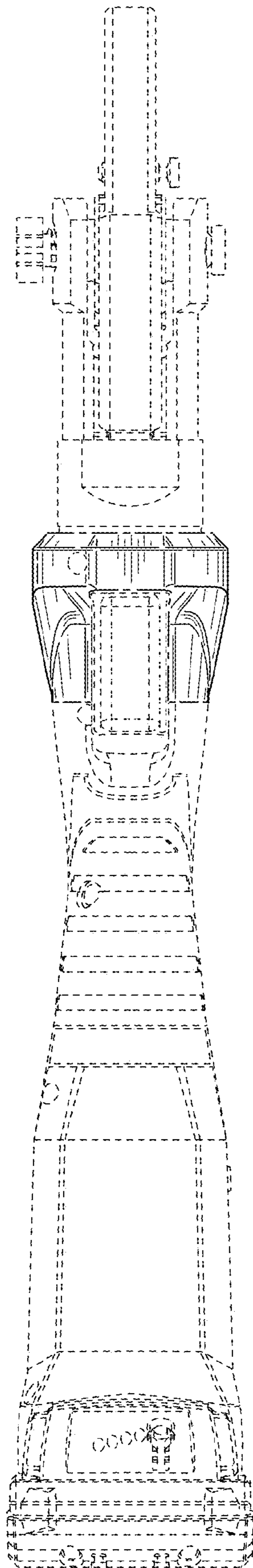


FIG. 7

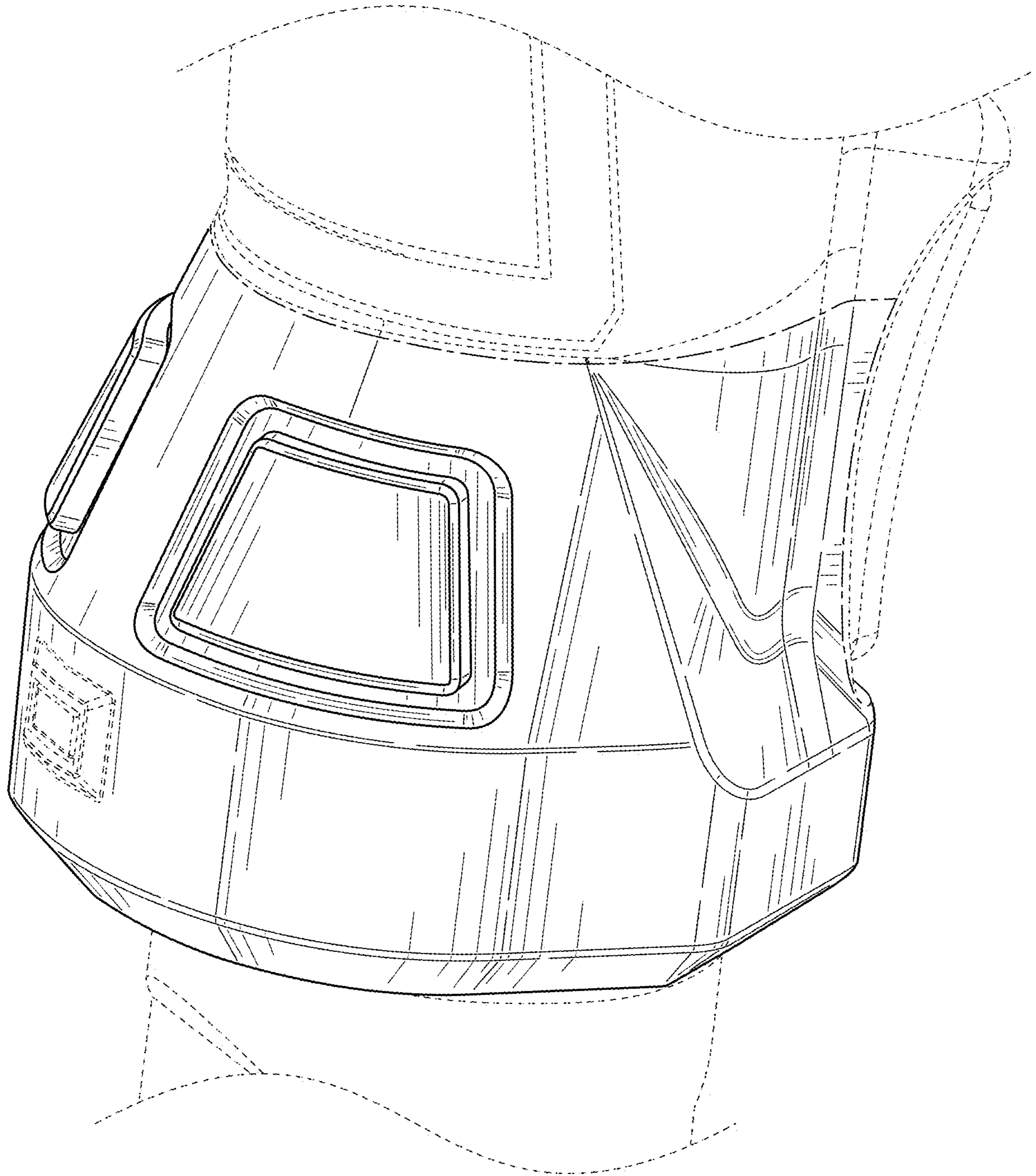


FIG. 8

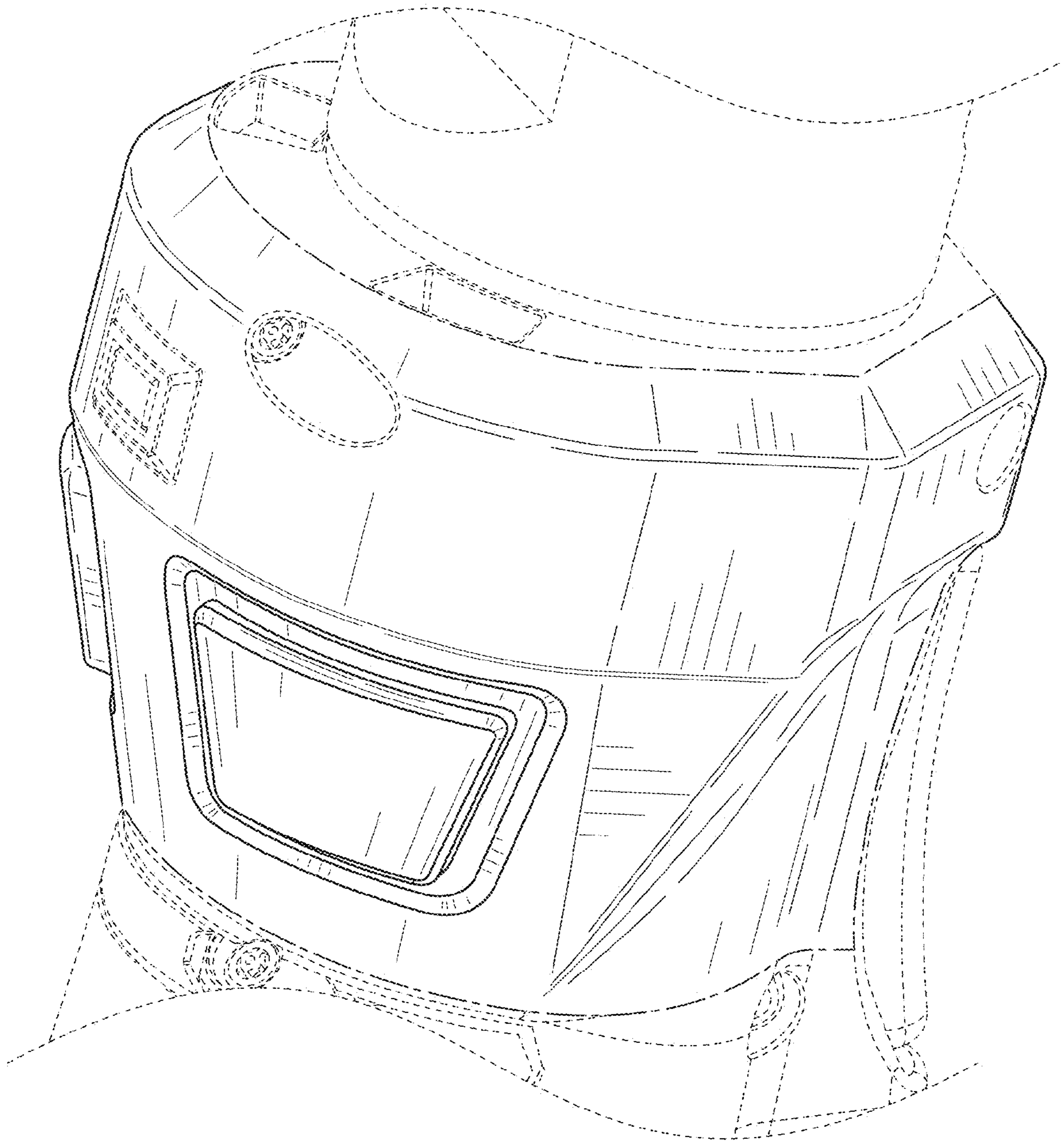


FIG. 9

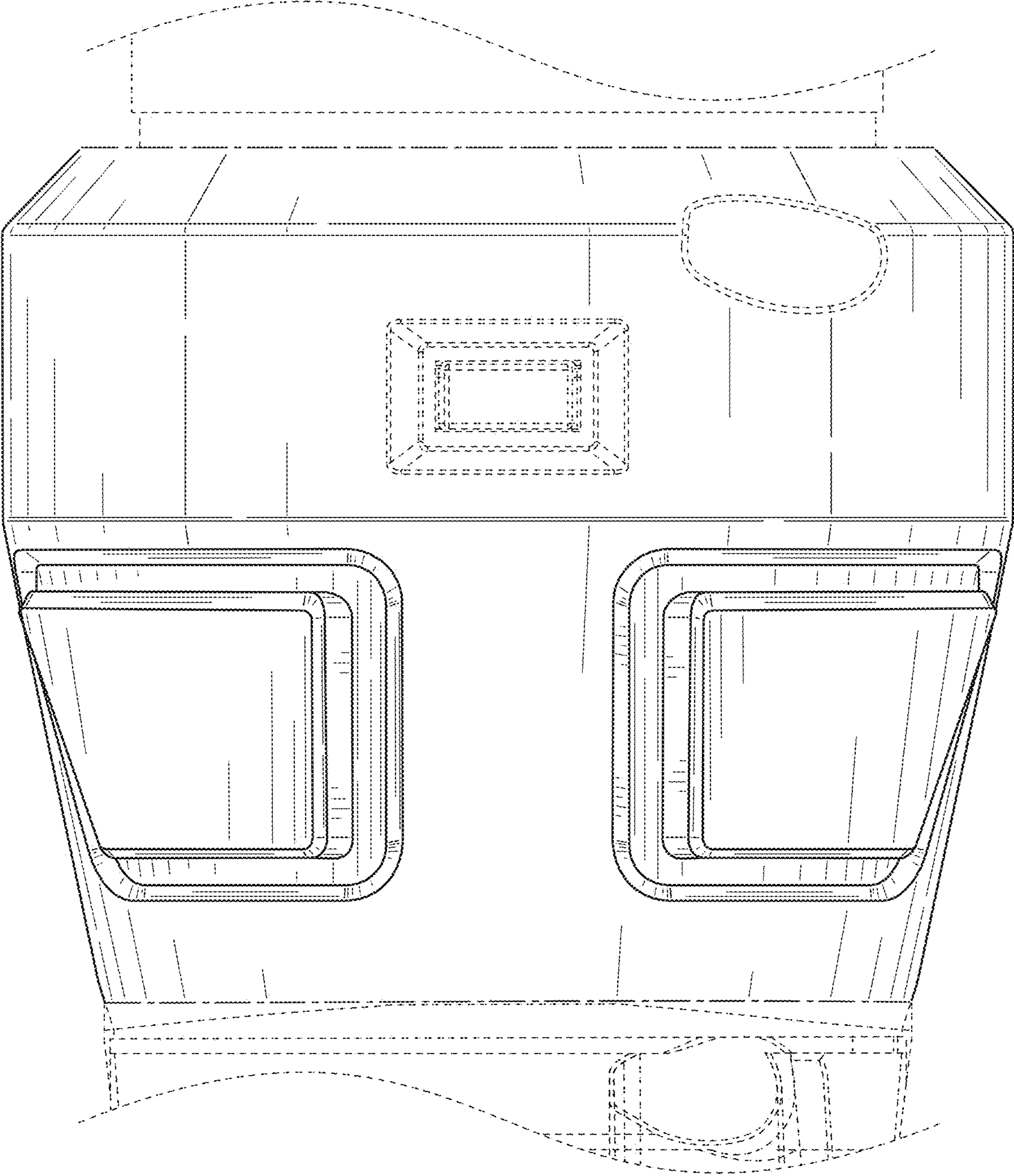


FIG. 10