



US00D952427S

(12) **United States Design Patent**
Kos

(10) **Patent No.:** **US D952,427 S**

(45) **Date of Patent:** **** May 24, 2022**

(54) **NOZZLE ATTACHMENT FOR A HEAT GUN FOR USE IN HEAT SHRINK TUBE PROCESSING**

10,094,590 B2 * 10/2018 Chen F24H 3/0423
D856,769 S * 8/2019 Boivin D8/29.1
2014/0219643 A1 * 8/2014 Ma F24H 3/0423
392/384

(71) Applicant: **HALOBLAZE LIMITED**, Harrogate (GB)

* cited by examiner

(72) Inventor: **Jay Layton Kos**, Harrogate (GB)

Primary Examiner — Philip S Hyder

(73) Assignee: **HALOBLAZE LIMITED**, Harrogate (GB)

(74) *Attorney, Agent, or Firm* — McKee, Voorhees & Sease, PLC

(**) Term: **15 Years**

(57) **CLAIM**

(21) Appl. No.: **29/652,676**

I claim the ornamental design for a nozzle attachment for a heat gun for use in heat shrink tube processing, substantially as shown and described.

(22) Filed: **Oct. 23, 2020**

DESCRIPTION

(51) **LOC (13) Cl.** **08-05**

(52) **U.S. Cl.**
USPC **D8/29.1**

(58) **Field of Classification Search**
USPC D8/29.1, 29.2, 30; D15/144, 144.2, 145
CPC A45D 20/08; A45D 20/10; F24H 3/00;
F24H 3/0423
See application file for complete search history.

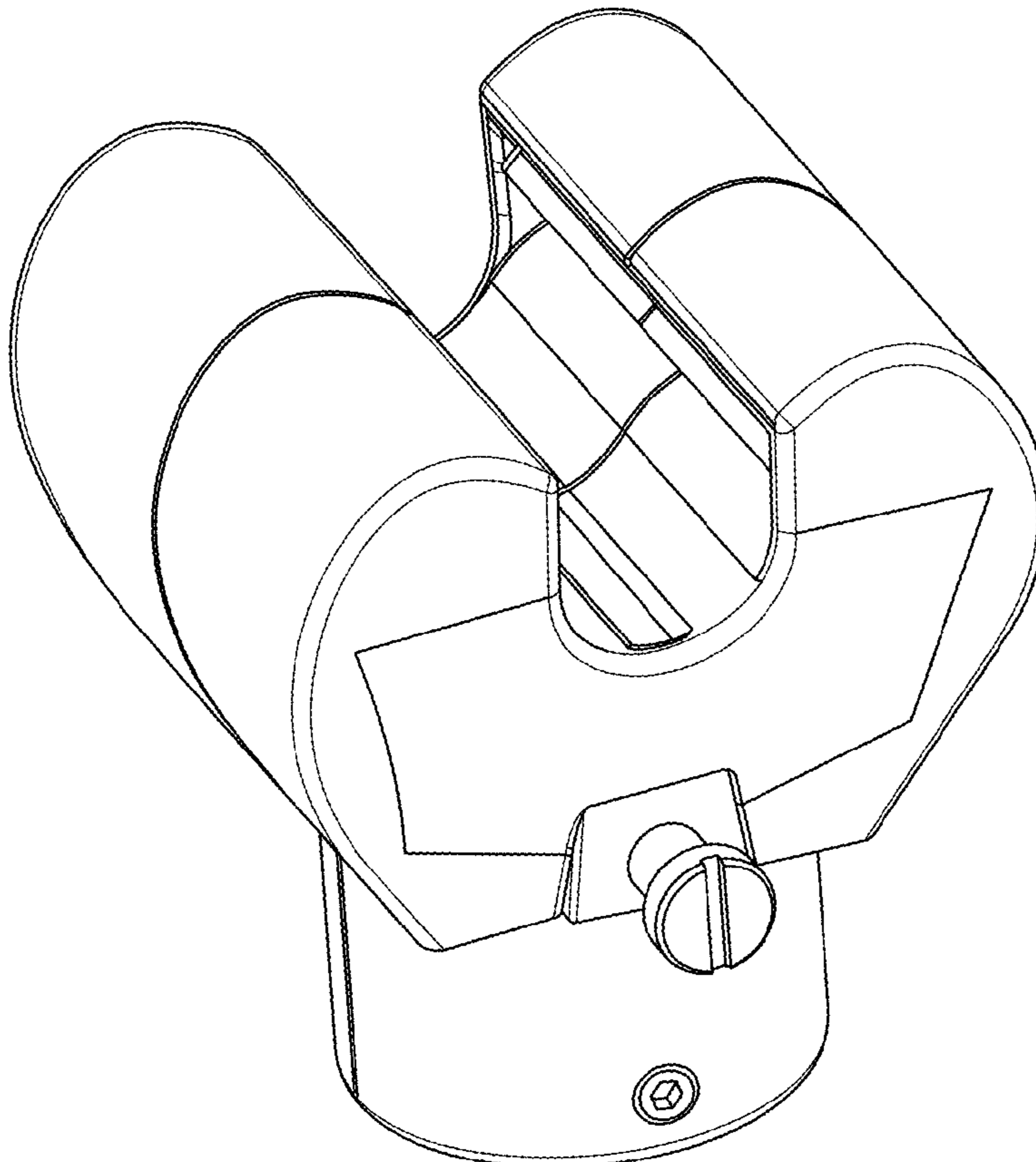
FIG. 1 is a front perspective view of the nozzle attachment for a heat gun for use in heat shrink tube processing.
FIG. 2 is a top plan view thereof.
FIG. 3 is a bottom plan view thereof.
FIG. 4 is a front elevation view thereof.
FIG. 5 is a rear elevation view thereof; and,
FIG. 6 is a left side elevation view thereof, wherein the right side elevation view is a mirror image thereof.
The broken lines in FIG. 3 depict portions of the nozzle attachment for a heat gun for use in heat shrink tube processing in which the design is embodied that form no part of the claimed design.

(56) **References Cited**

U.S. PATENT DOCUMENTS

D379,910 S * 6/1997 Hannen D8/29.1
D564,317 S * 3/2008 Le Drappier D8/29.1

1 Claim, 3 Drawing Sheets



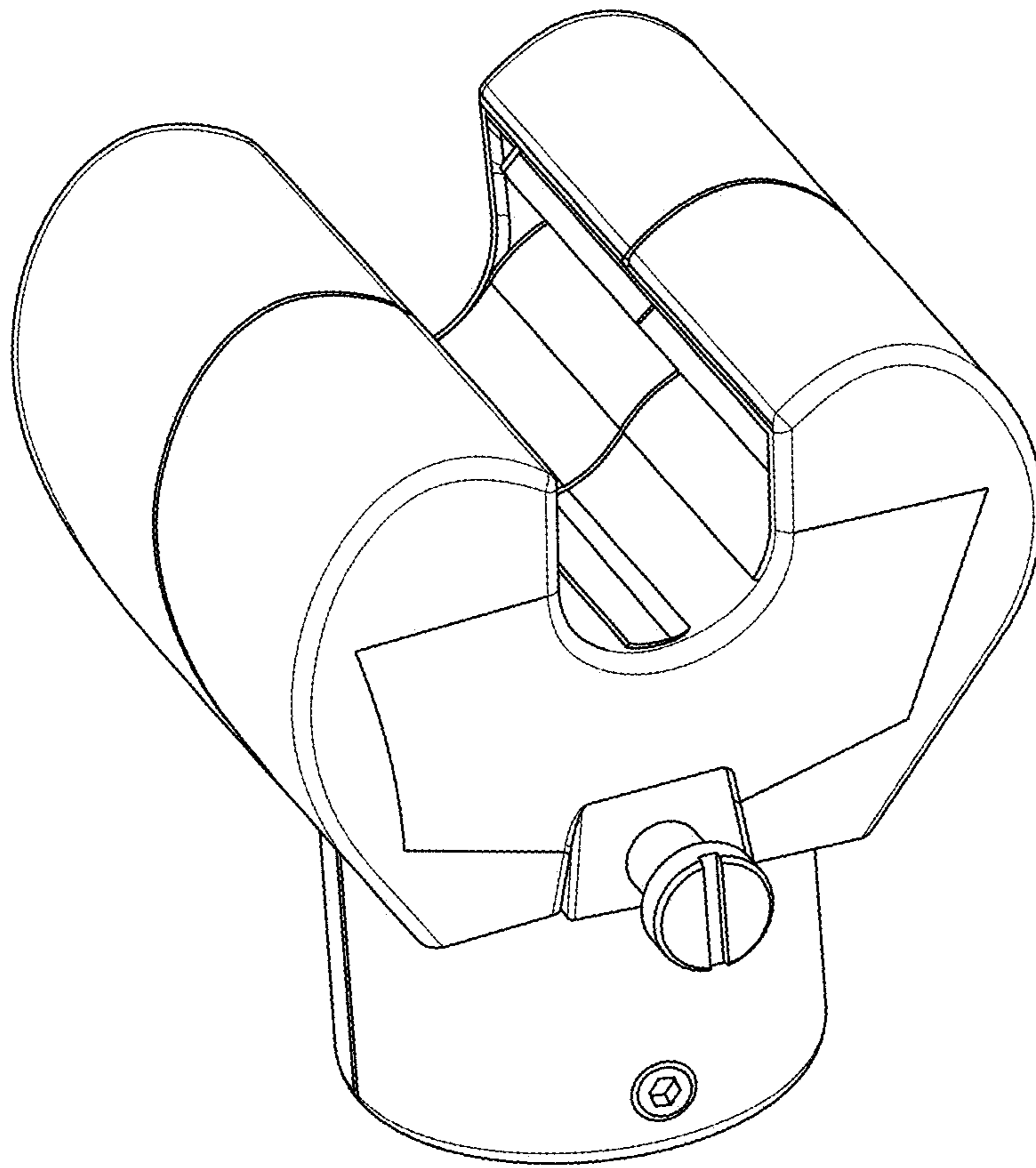


FIG. 1

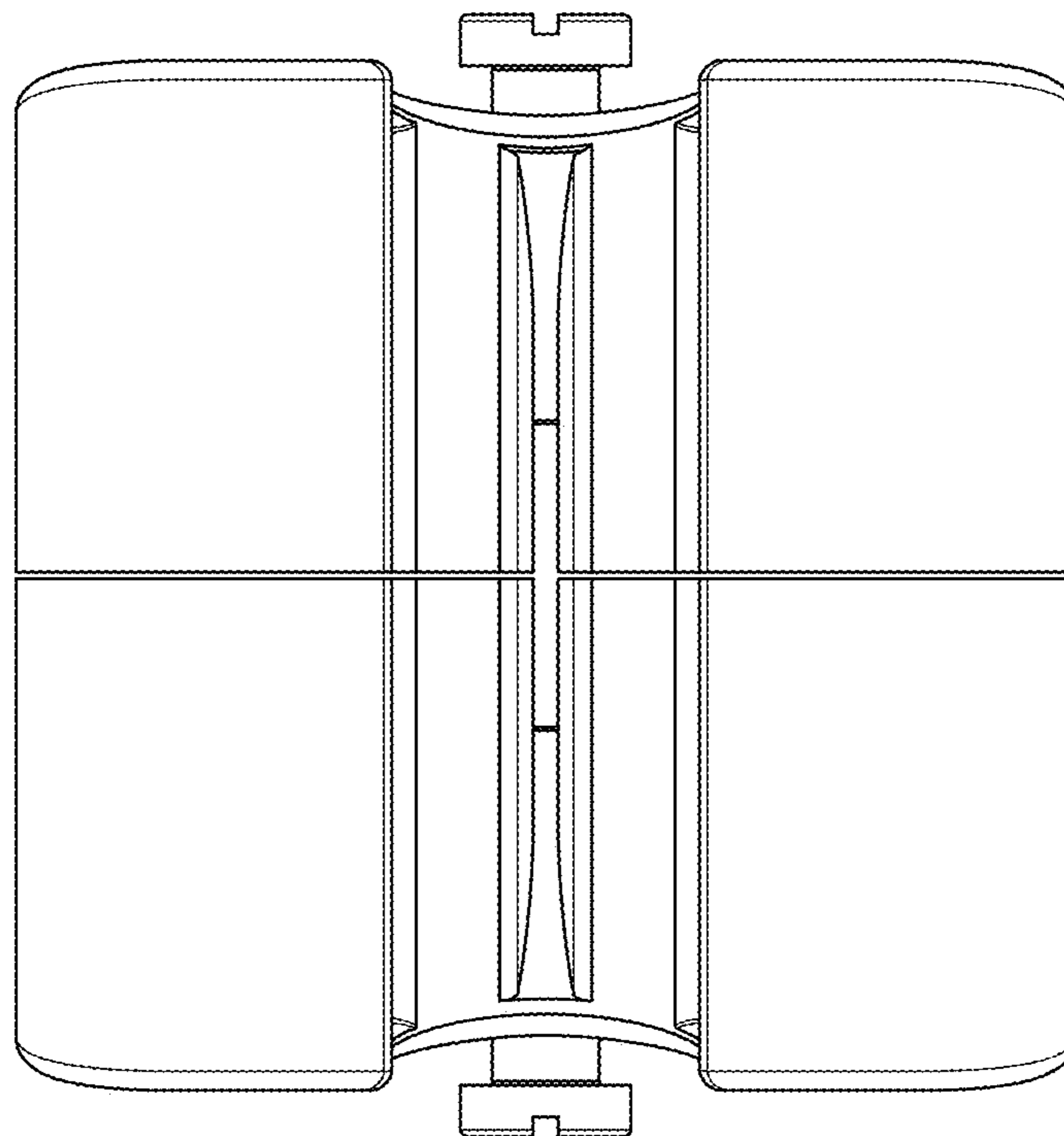


FIG. 2

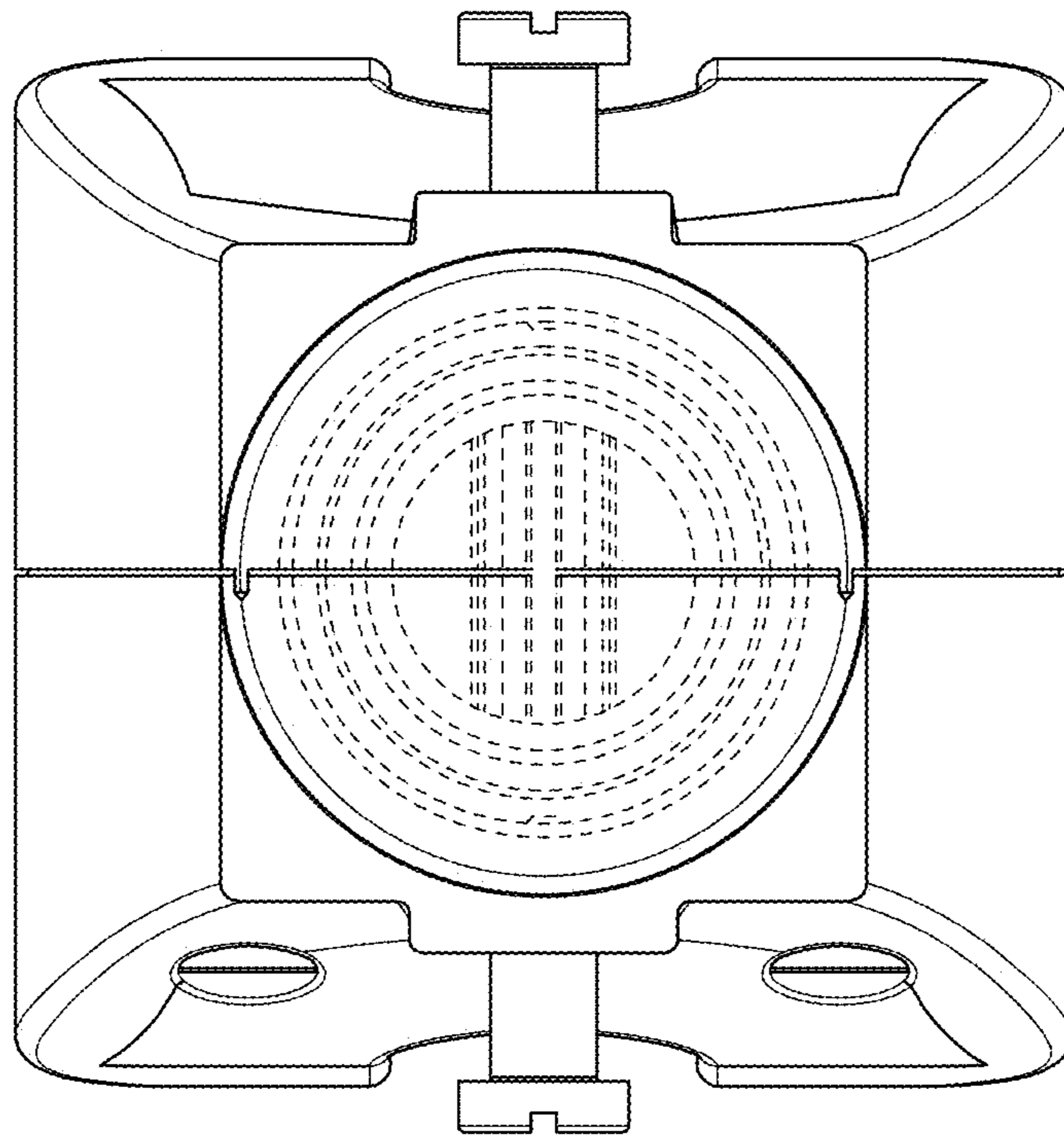


FIG. 3

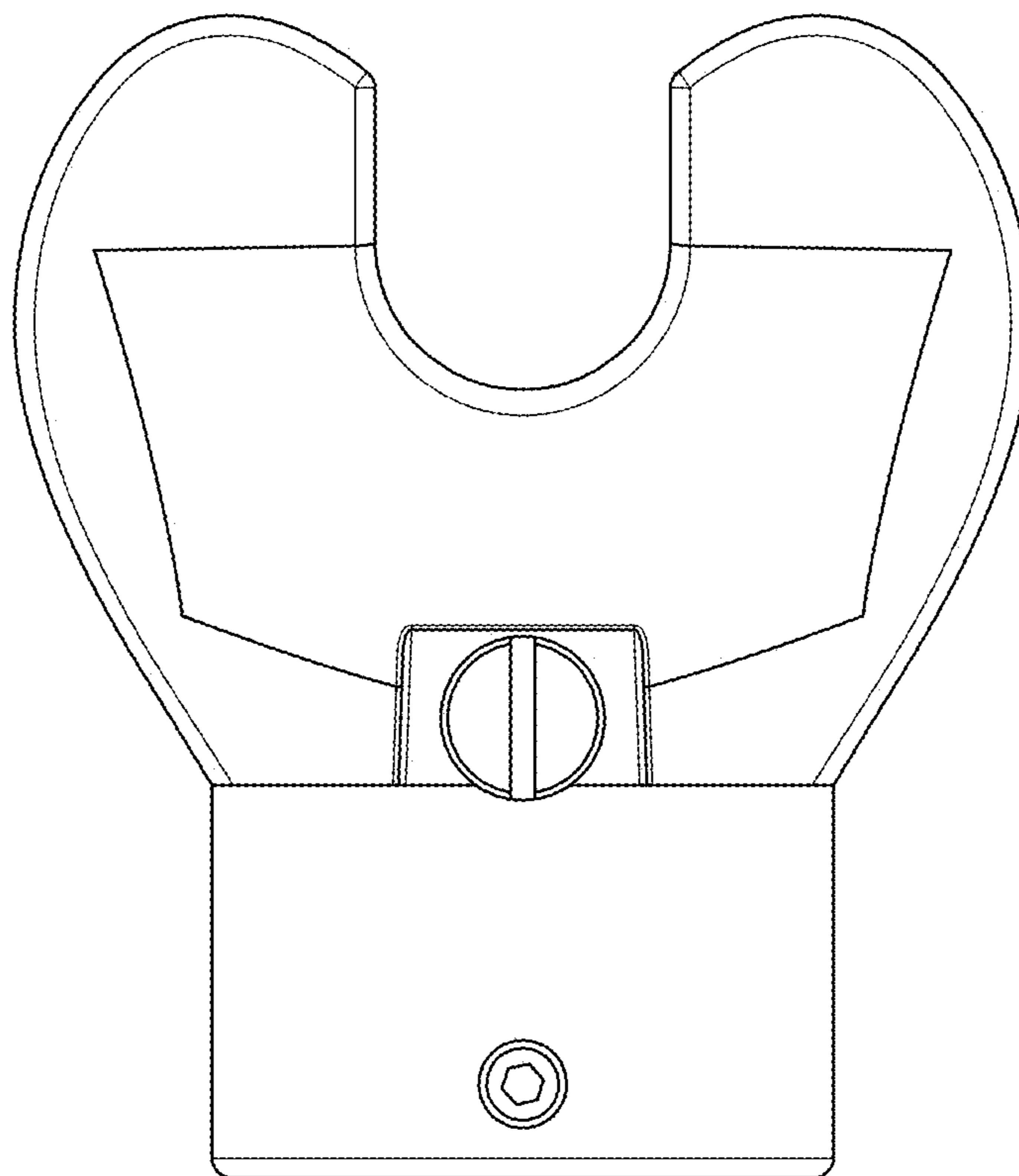


FIG. 4

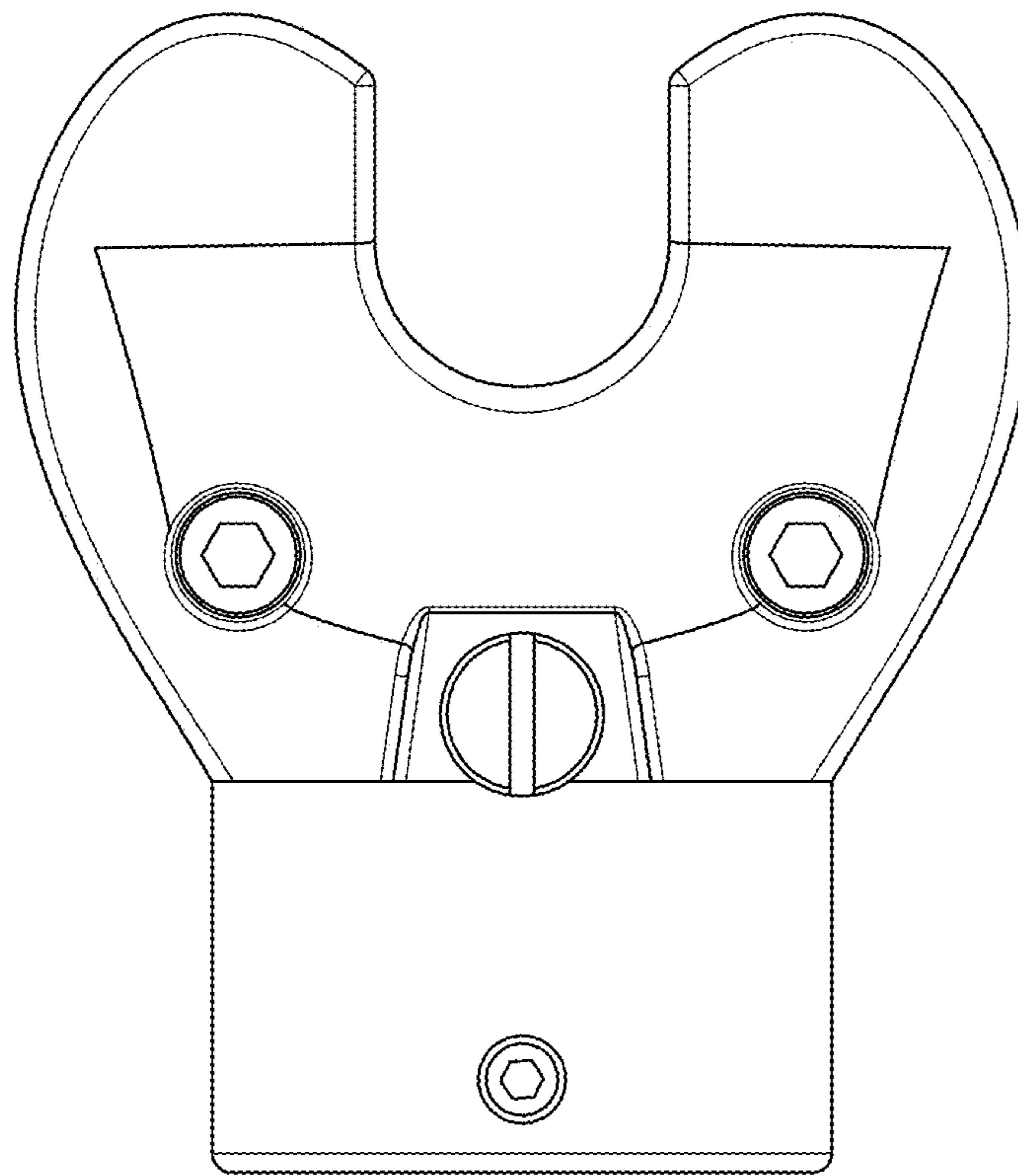


FIG. 5

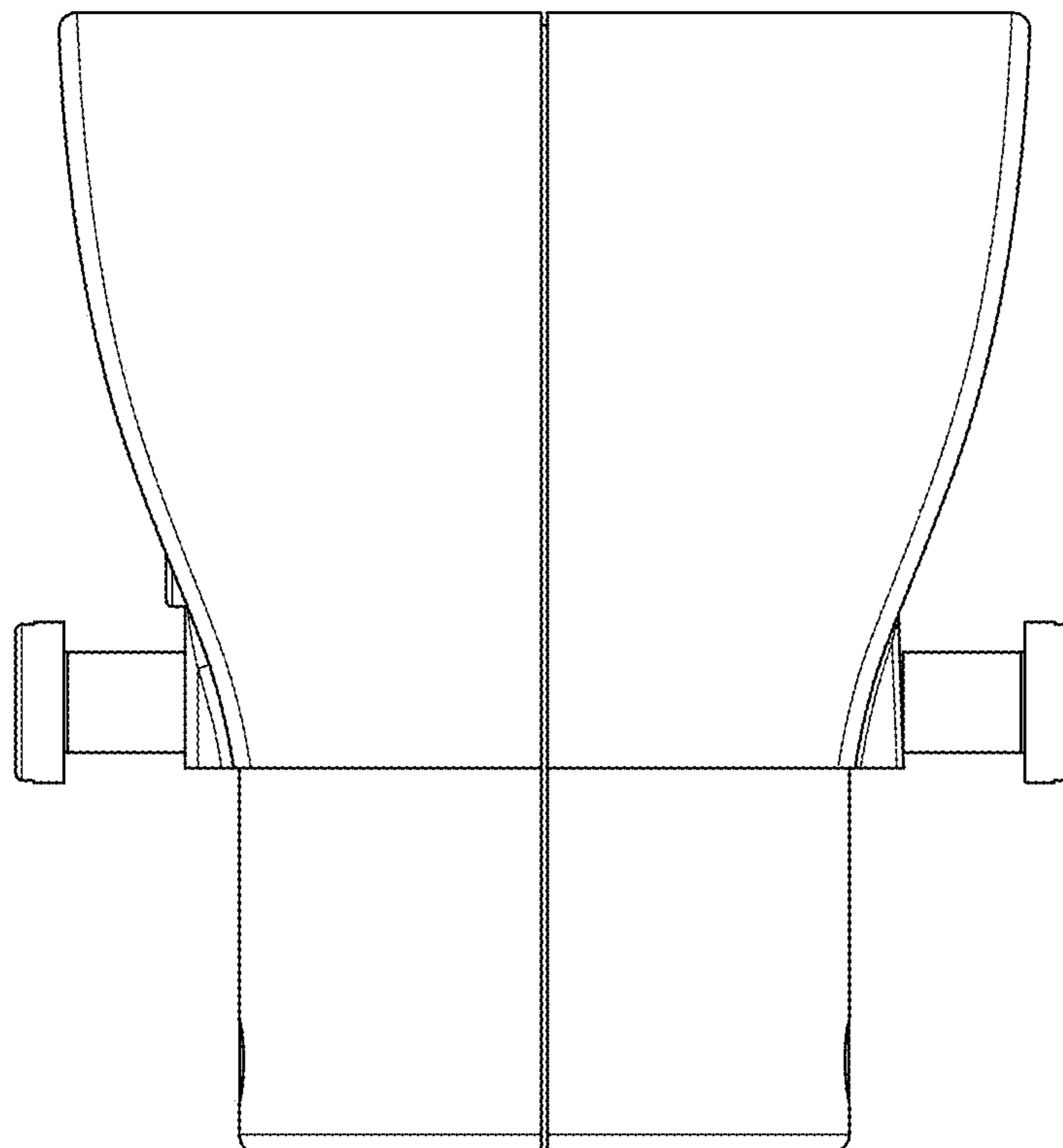


FIG. 6