



US00D952426S

(12) **United States Design Patent**
Wilson

(10) **Patent No.:** **US D952,426 S**

(45) **Date of Patent:** **** May 24, 2022**

(54) **SLOTTED SEWER CAP REMOVAL SOCKET**

D546,149 S * 7/2007 Chen F16K 31/607
D8/27

(71) Applicant: **David A. Wilson**, Littleton, CO (US)

8,087,639 B1 * 1/2012 Knapp F16K 31/607
251/293

(72) Inventor: **David A. Wilson**, Littleton, CO (US)

D766,056 S * 9/2016 Fischer D8/71
D928,575 S * 8/2021 Stoops D8/40

(**) Term: **15 Years**

2002/0144572 A1 10/2002 Chaves
(Continued)

(21) Appl. No.: **29/737,409**

Primary Examiner — Rachel A. Voorhies

(22) Filed: **Jun. 9, 2020**

Assistant Examiner — Benjamin D. Wannemacher

(51) **LOC (13) Cl.** **08-05**

(74) *Attorney, Agent, or Firm* — Boudwin Intellectual

(52) **U.S. Cl.**

Property; Daniel Boudwin

USPC **D8/29**

(58) **Field of Classification Search**

(57) **CLAIM**

USPC D8/21, 25, 28, 29
CPC B25B 13/06; B25B 13/065; B25B 23/0035
See application file for complete search history.

The ornamental design for a slotted sewer cap removal socket, as shown and described.

DESCRIPTION

(56) **References Cited**

U.S. PATENT DOCUMENTS

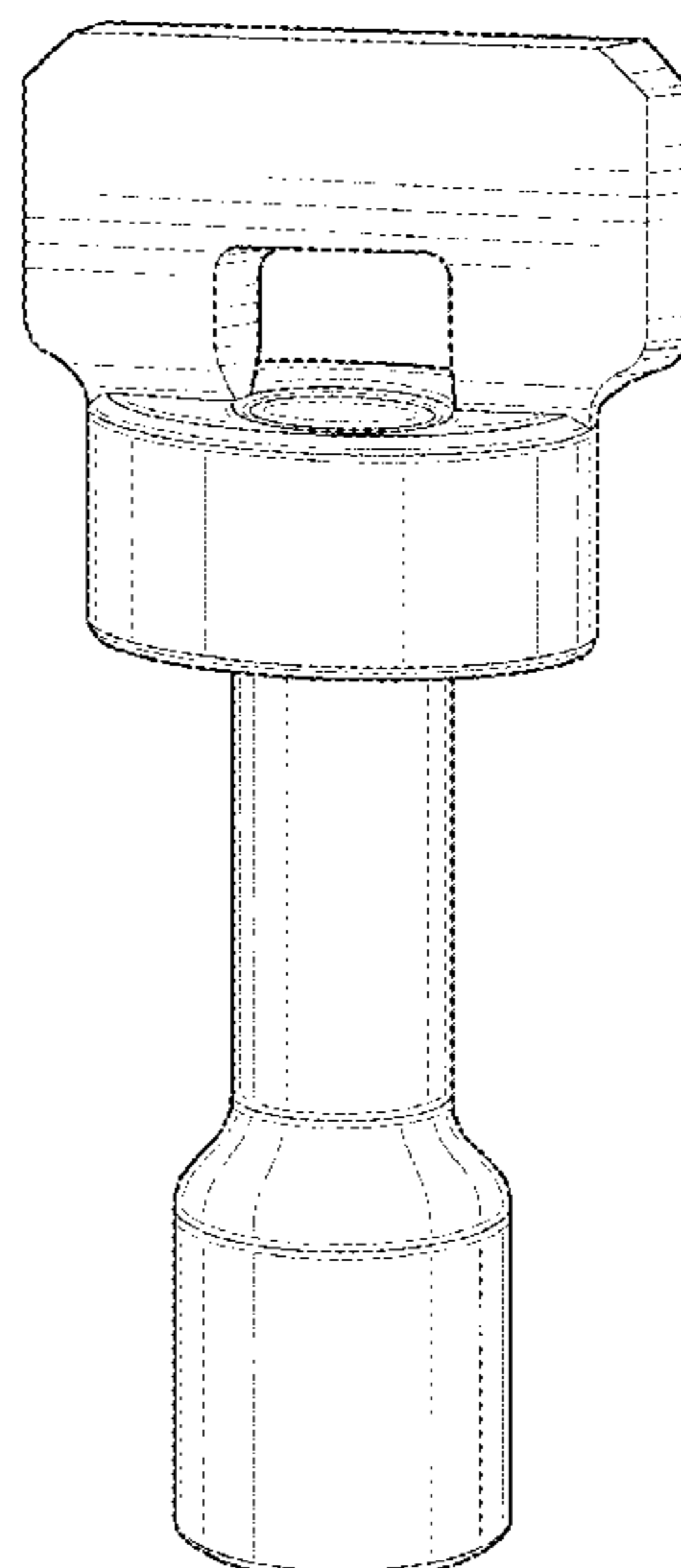
413,216 A * 10/1889 Weber F16K 5/0647
29/434
661,253 A * 11/1900 Zimmerman B65D 17/464
D8/18
839,519 A * 12/1906 Smith H01H 13/14
400/490
1,447,320 A * 3/1923 Pickop F01P 11/0214
220/284
3,276,299 A * 10/1966 Halburian G10D 3/20
81/437
D244,081 S * 4/1977 Steinbach F16K 5/0647
D8/347
D253,160 S * 10/1979 Steinbach D8/347
D274,404 S * 6/1984 Adler F16K 5/0647
D8/28
4,786,214 A 11/1988 Schmidt et al.
5,003,682 A 4/1991 Strausbaugh et al.
D404,986 S * 2/1999 Mahon F16K 31/607
D17/22
D440,838 S * 4/2001 Trempala D8/21
D472,434 S * 4/2003 Trempala D8/387

FIG. 1 shows a perspective view of a slotted sewer cap removal socket;
FIG. 2 shows a front view of the slotted sewer cap removal socket;
FIG. 3 shows a rear view of the slotted sewer cap removal socket;
FIG. 4 shows a right side view of the slotted sewer cap removal socket;
FIG. 5 shows a left side view of the slotted sewer cap removal socket;
FIG. 6 shows a top plan view of the slotted sewer cap removal socket; and,
FIG. 7 shows a bottom plan view of the slotted sewer cap removal socket.

The shade lines in the Figures show contour and not surface ornamentation.

The broken lines shown in the Figures show portions of the slotted sewer cap removal socket which form no part of the claimed design.

1 Claim, 4 Drawing Sheets



(56)

References Cited

U.S. PATENT DOCUMENTS

2006/0265849 A1 11/2006 Youngs
2011/0203094 A1 8/2011 Marciniak et al.

* cited by examiner

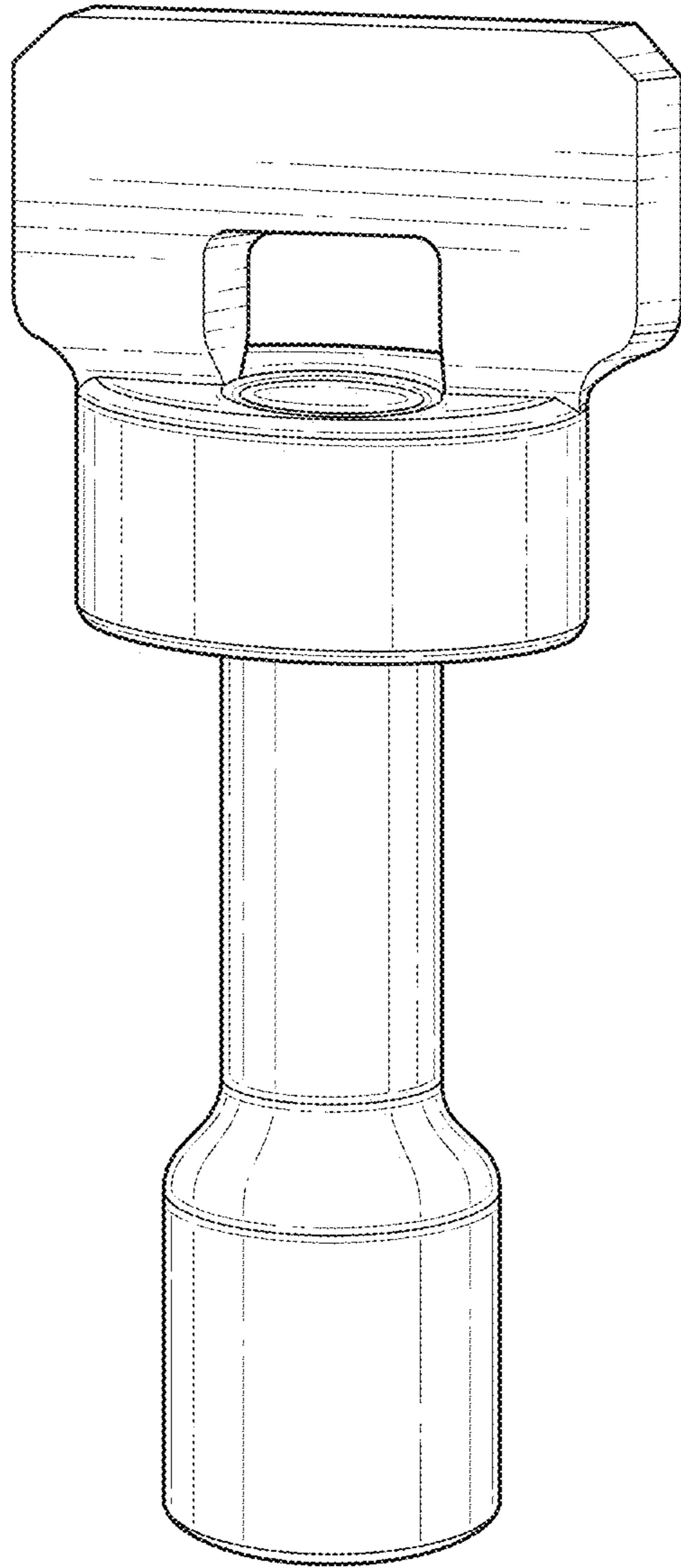


FIG. 1

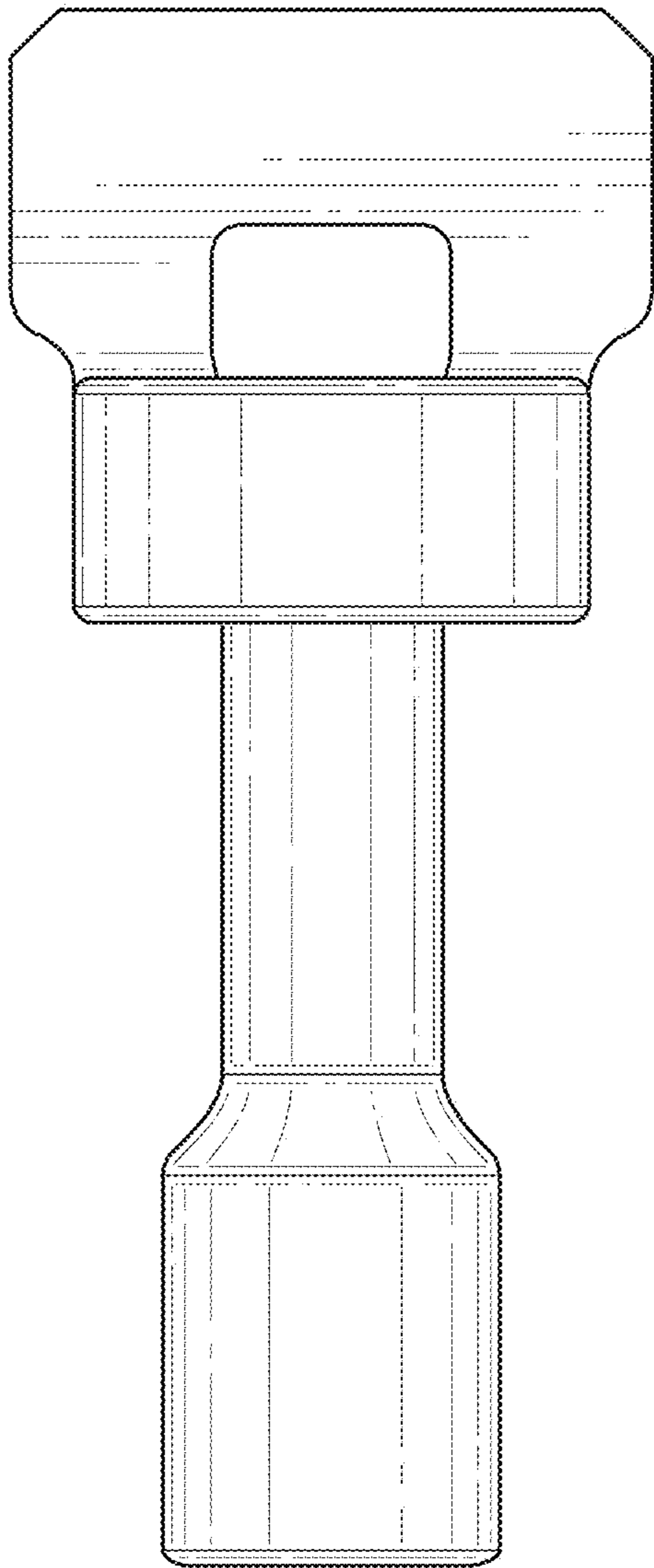


FIG. 2

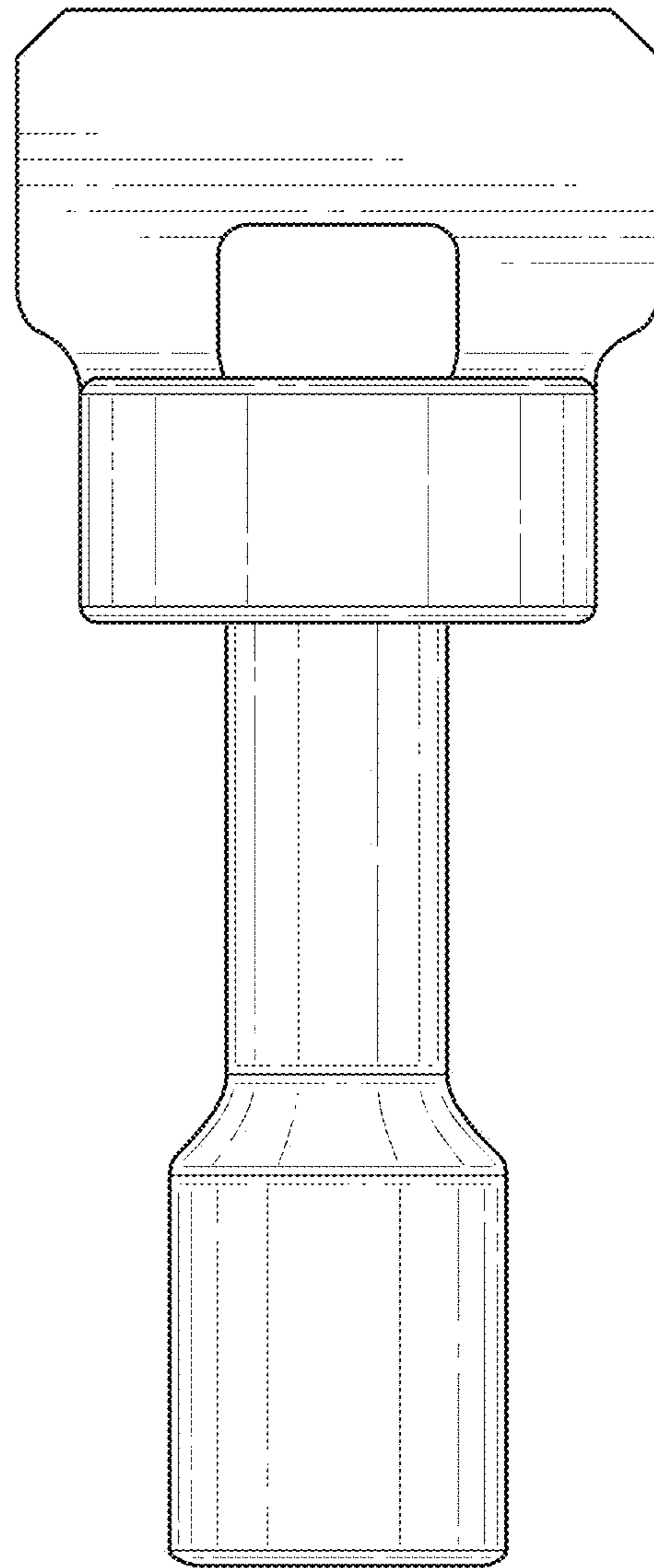


FIG. 3

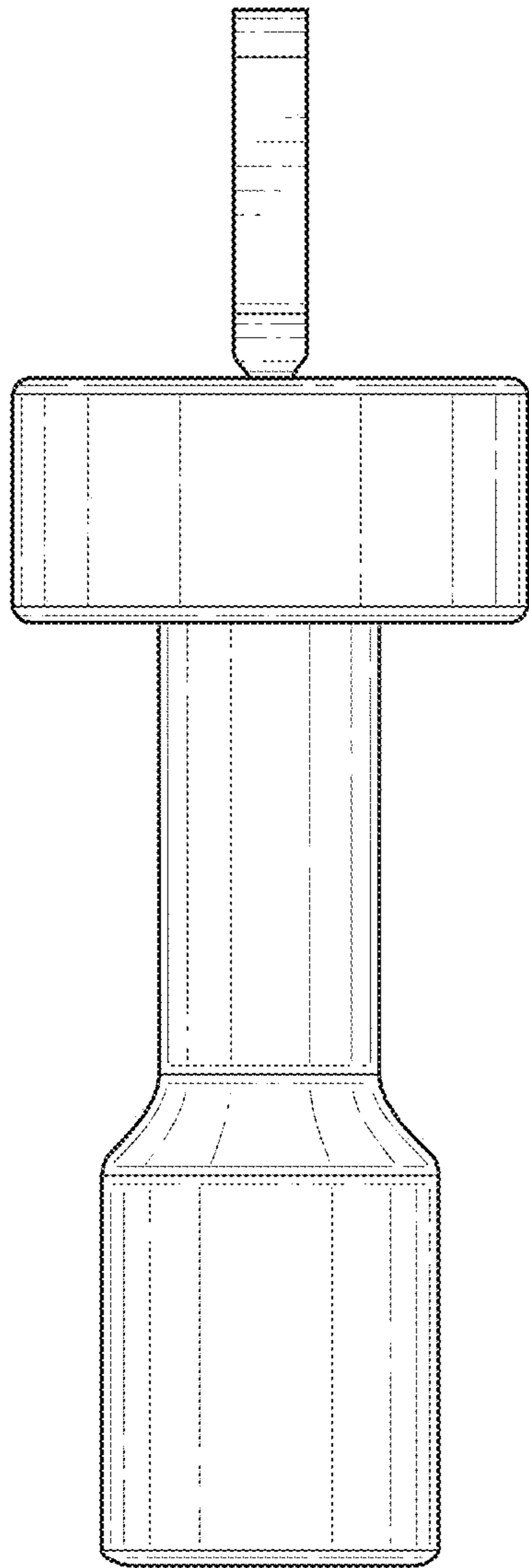


FIG. 4

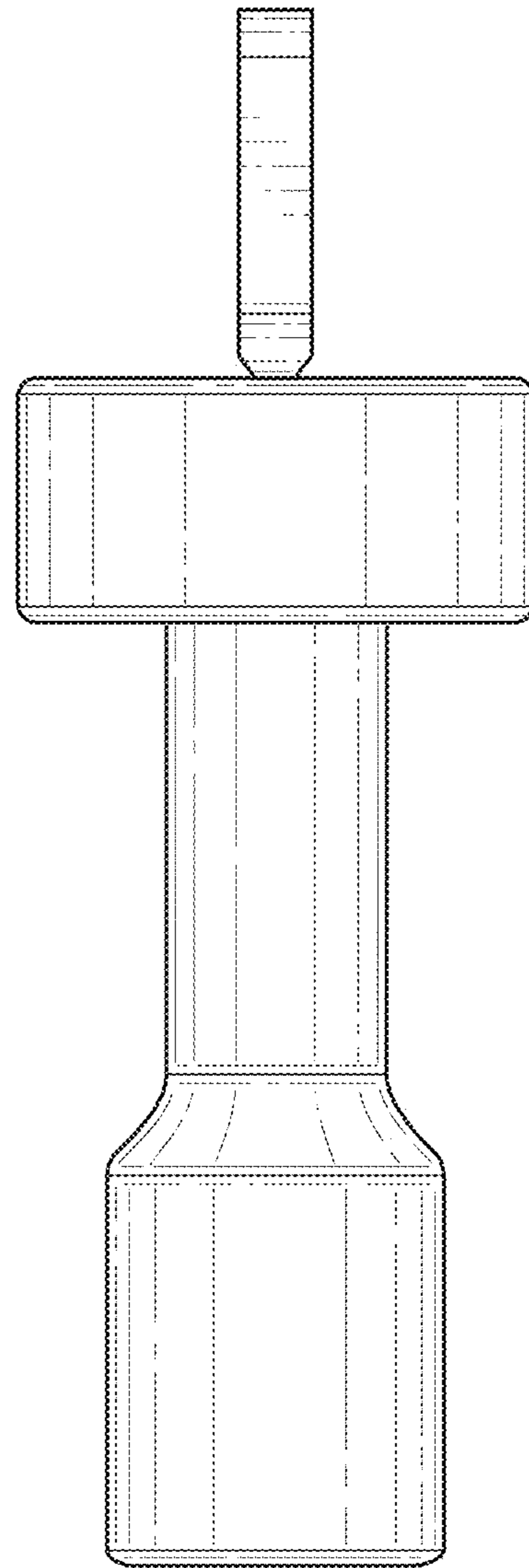


FIG. 5

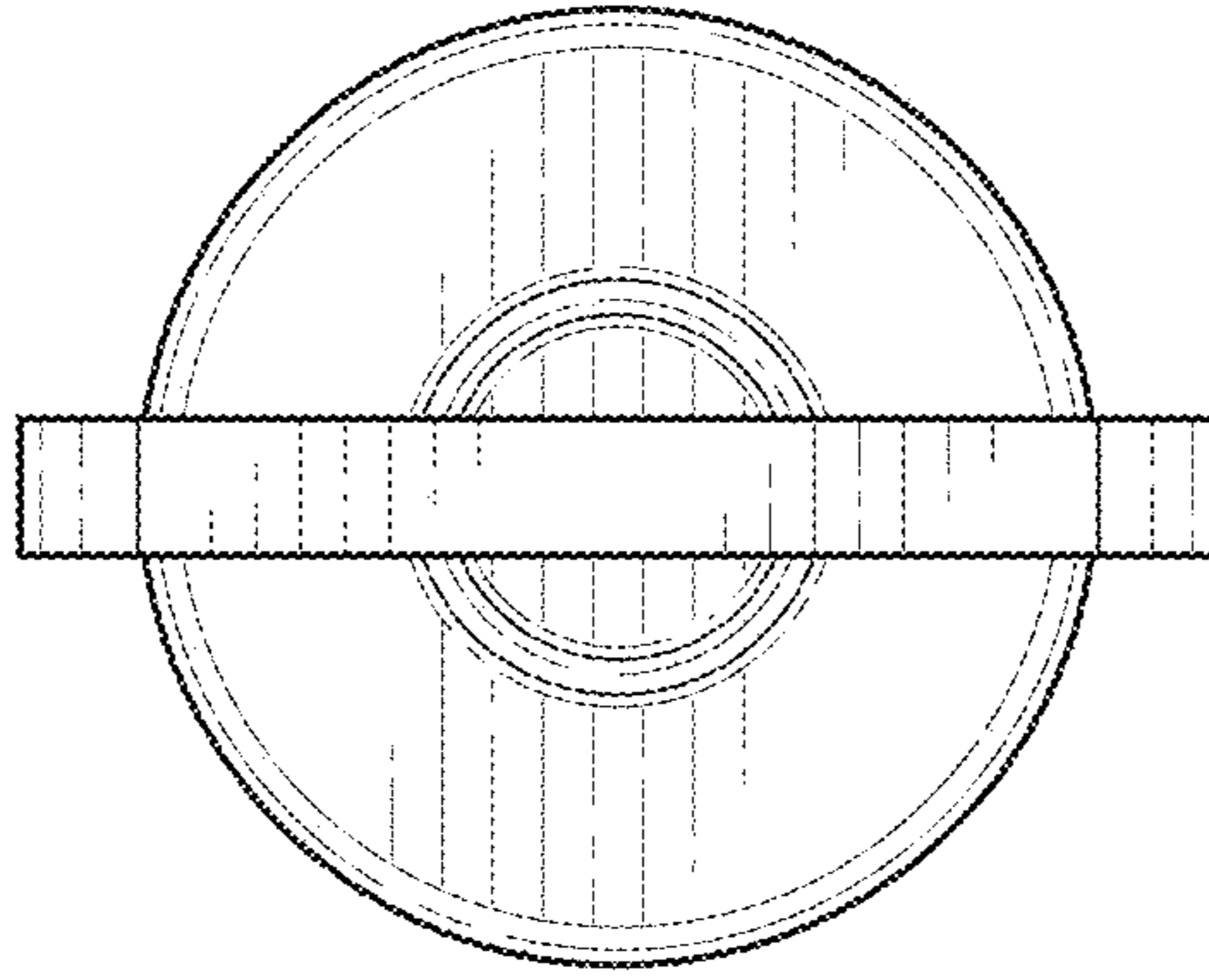


FIG. 6

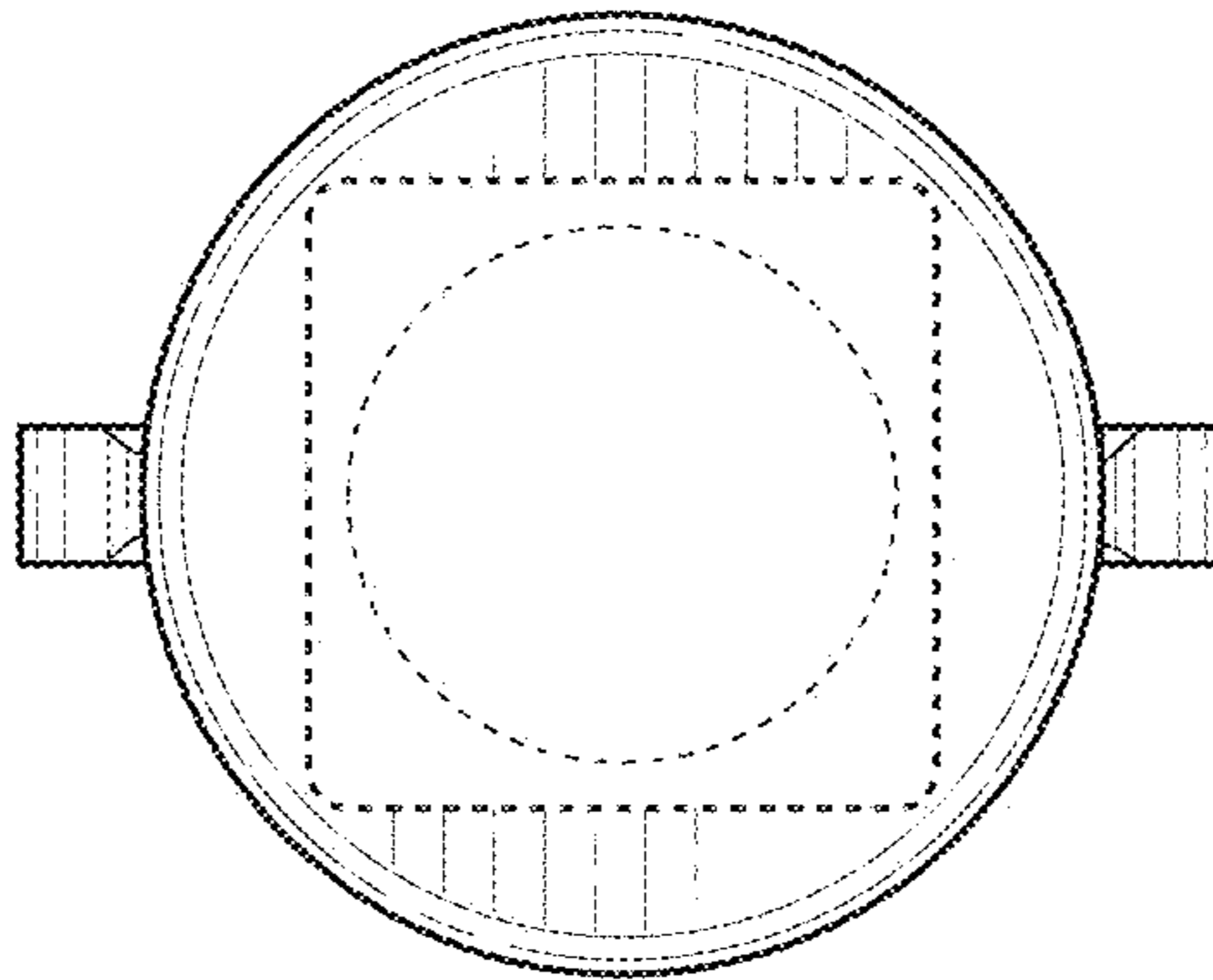


FIG. 7