



US00D952422S

(12) **United States Design Patent**
Fu et al.

(10) **Patent No.:** **US D952,422 S**

(45) **Date of Patent:** **** May 24, 2022**

(54) **SHOVEL HEAD**

(71) Applicant: **Changzhi Fu**, Tangshan (CN)

(72) Inventors: **Changzhi Fu**, Tangshan (CN); **Chun Li**, Tangshan (CN)

(**) Term: **15 Years**

(21) Appl. No.: **29/753,230**

(22) Filed: **Sep. 30, 2020**

(30) **Foreign Application Priority Data**

Sep. 17, 2020 (CN) 202030551849.4

(51) **LOC (13) Cl.** **08-01**

(52) **U.S. Cl.**

USPC **D8/10**

(58) **Field of Classification Search**

USPC D8/7, 9, 10, 11

CPC E01H 5/00; E01H 5/02; A01B 1/02; A01B 1/022; A01B 1/026; A01B 1/22; A01B 15/02; A01B 1/028; A01B 1/04; B25G 1/04

See application file for complete search history.

D332,555 S * 1/1993 Hagerman D8/10

D564,313 S * 3/2008 Baker D8/9

D569,698 S * 5/2008 Baker D8/1

D579,288 S * 10/2008 Baker D8/10

D588,882 S * 3/2009 Baker, II D8/10

D604,572 S * 11/2009 Randolph D8/10

D623,488 S * 9/2010 Randolph D8/10

D626,389 S 11/2010 Randolph et al.

D661,958 S * 6/2012 Pizzeta D8/11

D665,637 S 8/2012 Baker

D699,529 S * 2/2014 Randolph D8/10

D770,249 S * 11/2016 Mathieu D8/10

D799,288 S * 10/2017 Baker D8/11

D803,643 S * 11/2017 Smith D8/10

D810,527 S * 2/2018 Baker D8/10

D810,528 S * 2/2018 Baker D8/11

D895,383 S * 9/2020 Thorn D8/10

D896,044 S * 9/2020 Li D8/10

(Continued)

FOREIGN PATENT DOCUMENTS

CA 2127028 A1 * 12/1995 A01B 1/04

FR 1285325 A * 2/1962 A01B 1/04

Primary Examiner — Sheryl Lane

Assistant Examiner — Ieisha N Price

(57) **CLAIM**

The ornamental design for a shovel head, as shown and described.

DESCRIPTION

FIG. 1 is a front perspective view of a shovel head showing my new design;

FIG. 2 is a rear perspective view thereof;

FIG. 3 is a front view thereof;

FIG. 4 is a rear view thereof;

FIG. 5 is a left side view thereof;

FIG. 6 is a right side view thereof;

FIG. 7 is a top plan view thereof; and,

FIG. 8 is a bottom plan view thereof.

1 Claim, 8 Drawing Sheets

(56) **References Cited**

U.S. PATENT DOCUMENTS

307,532 A * 11/1884 Enas A01B 1/02
294/49

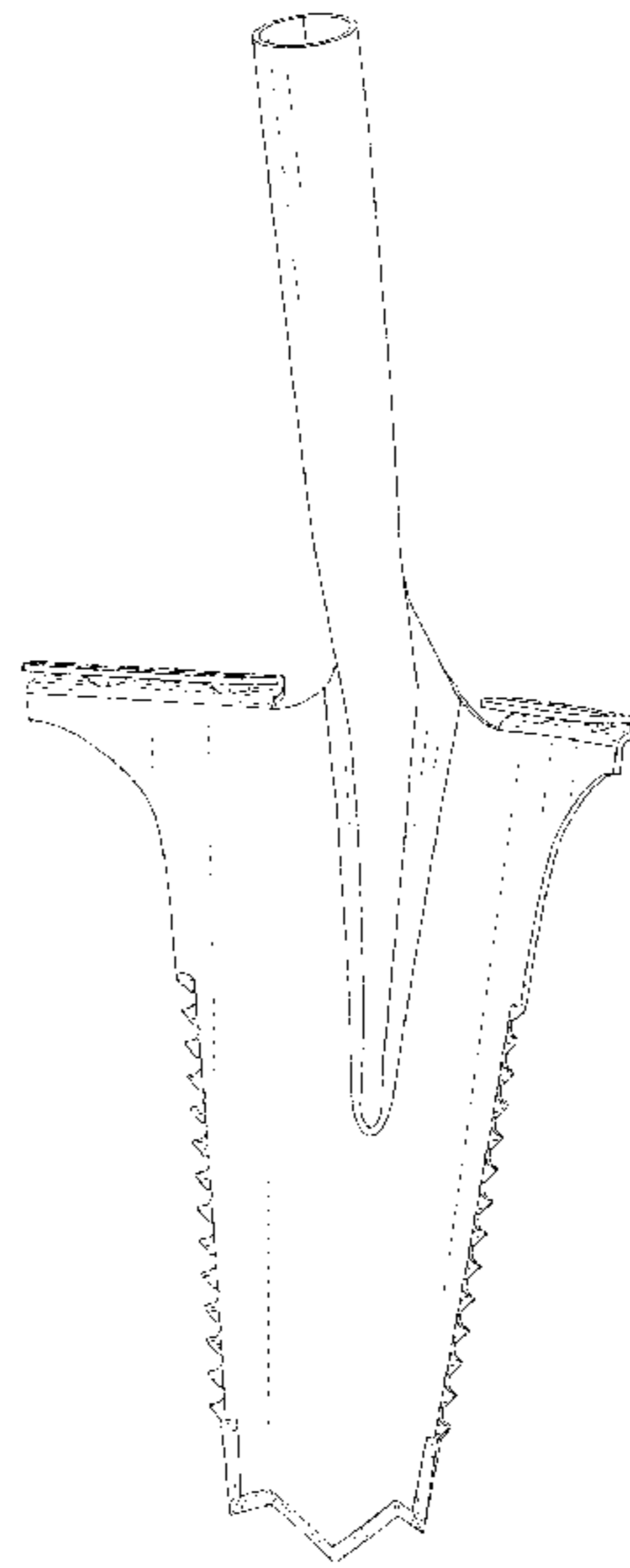
457,871 A * 8/1891 Silliman A01B 1/16
294/50.6

1,027,345 A * 5/1912 Lapin A01B 1/02
294/49

1,881,112 A * 10/1932 Allenson A01B 1/16
294/50.9

1,908,735 A * 5/1933 Donaldson A01B 1/16
30/315

3,367,704 A * 2/1968 Kleppin A01B 1/04
294/58



(56)

References Cited

U.S. PATENT DOCUMENTS

2003/0067181 A1* 4/2003 Bailey A01B 1/04
294/49
2007/0284123 A1* 12/2007 Lee A01B 1/04
172/378
2008/0309106 A1* 12/2008 Baker A01B 1/04
294/49
2010/0051297 A1* 3/2010 Mathieu A01B 1/02
172/1

* cited by examiner

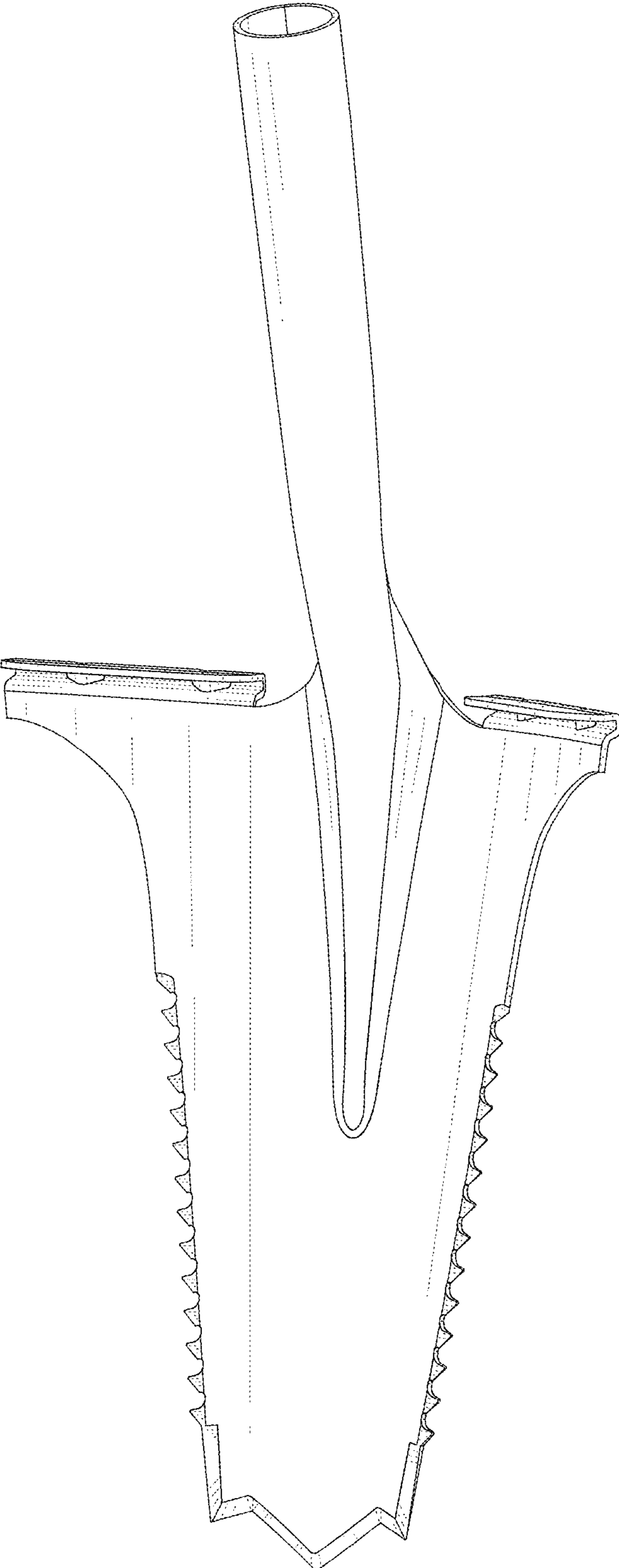


FIG. 1

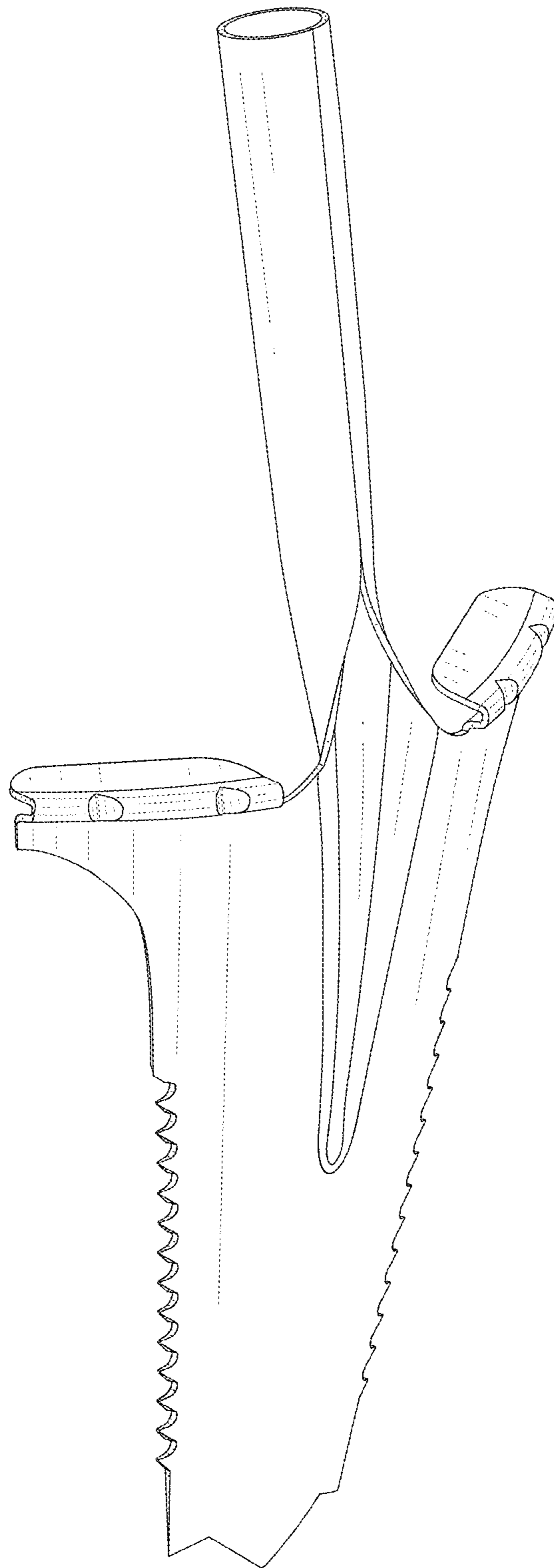


FIG. 2

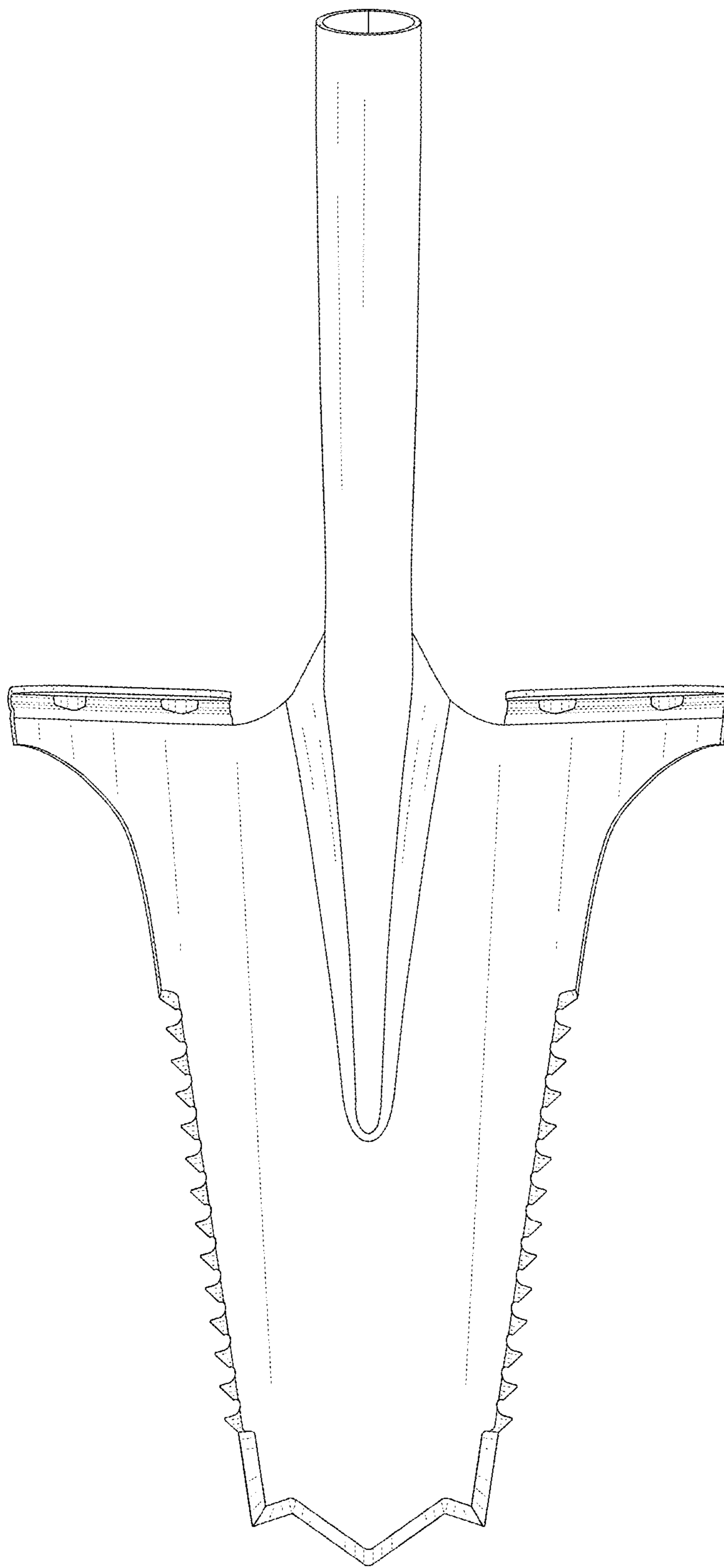


FIG. 3

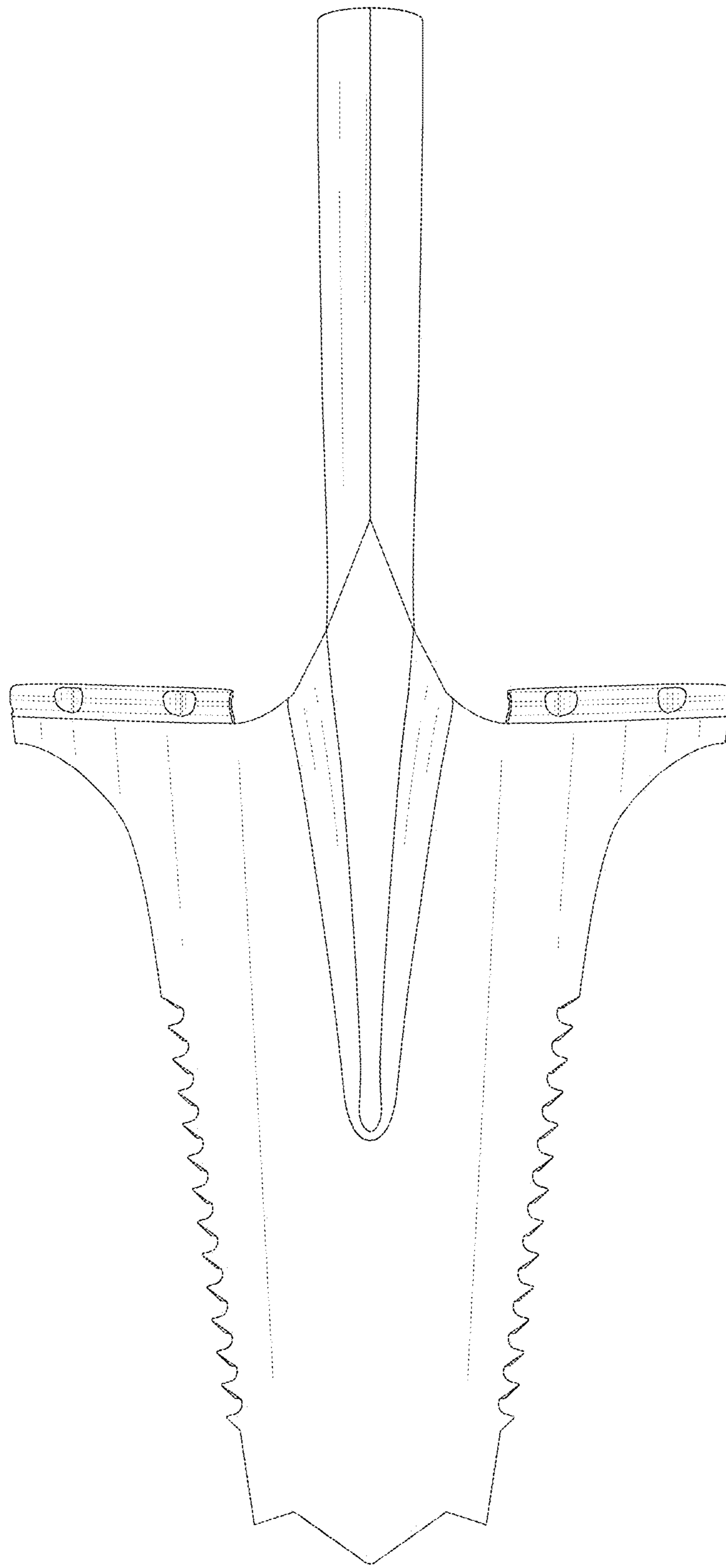


FIG. 4

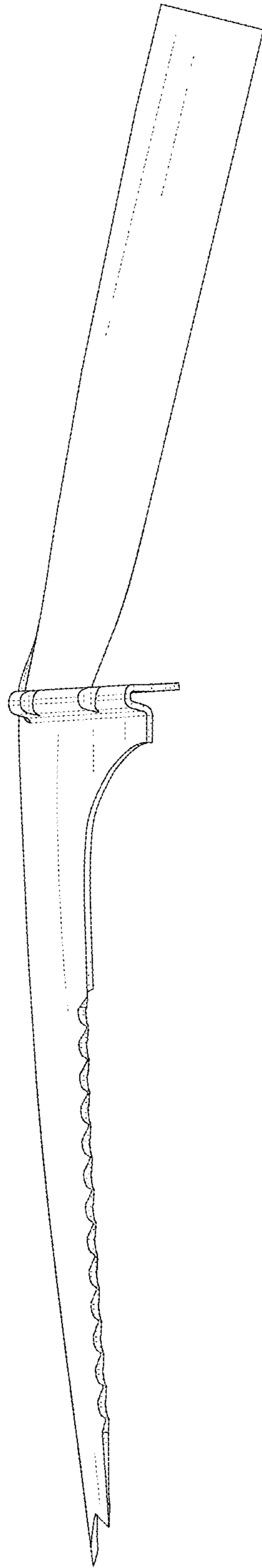


FIG. 5

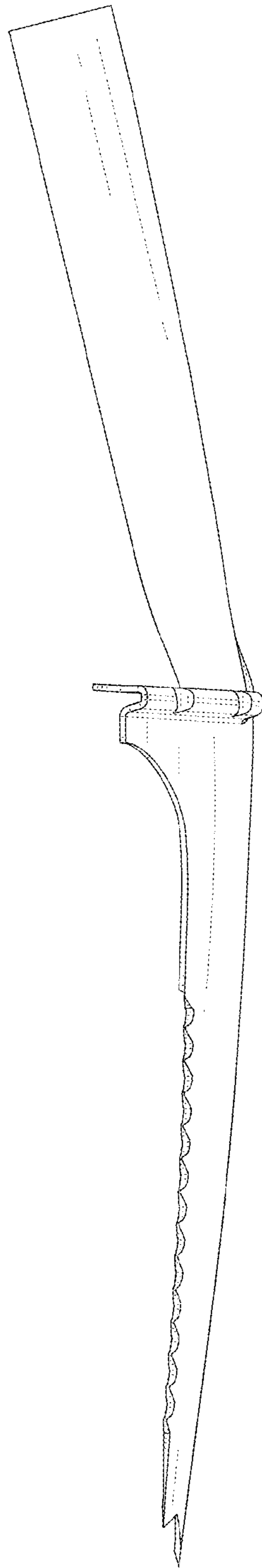


FIG. 6

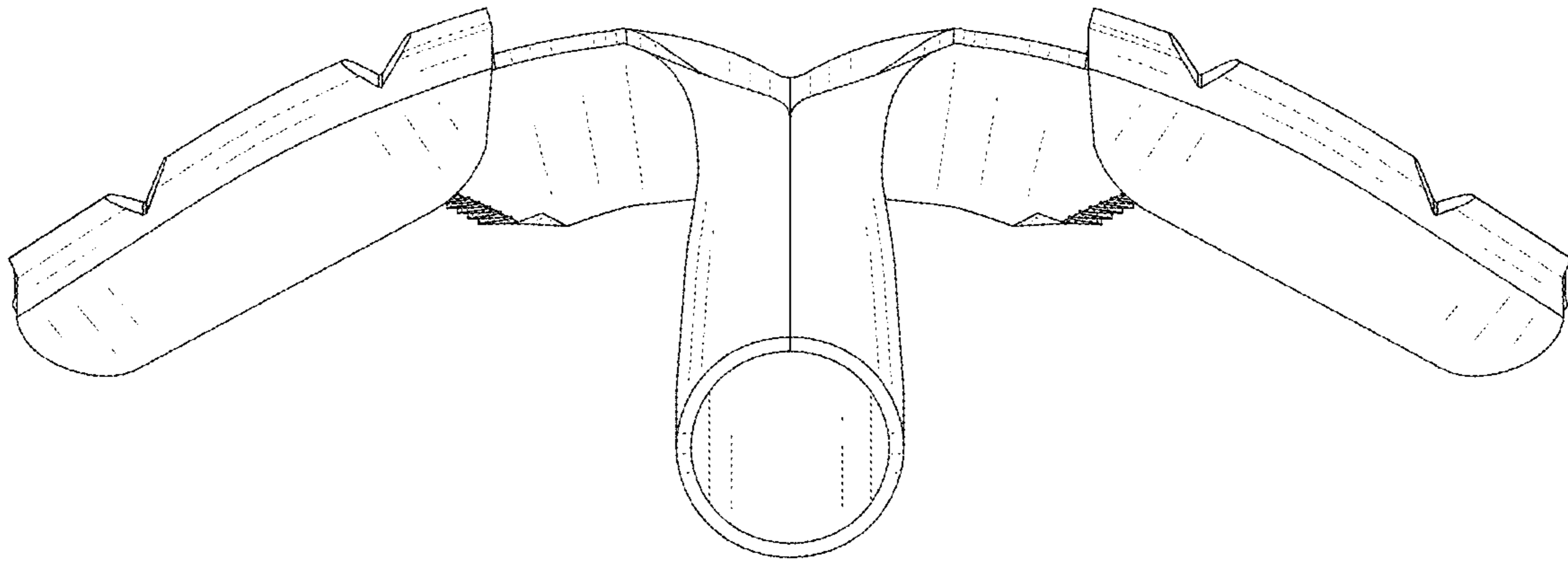


FIG. 7

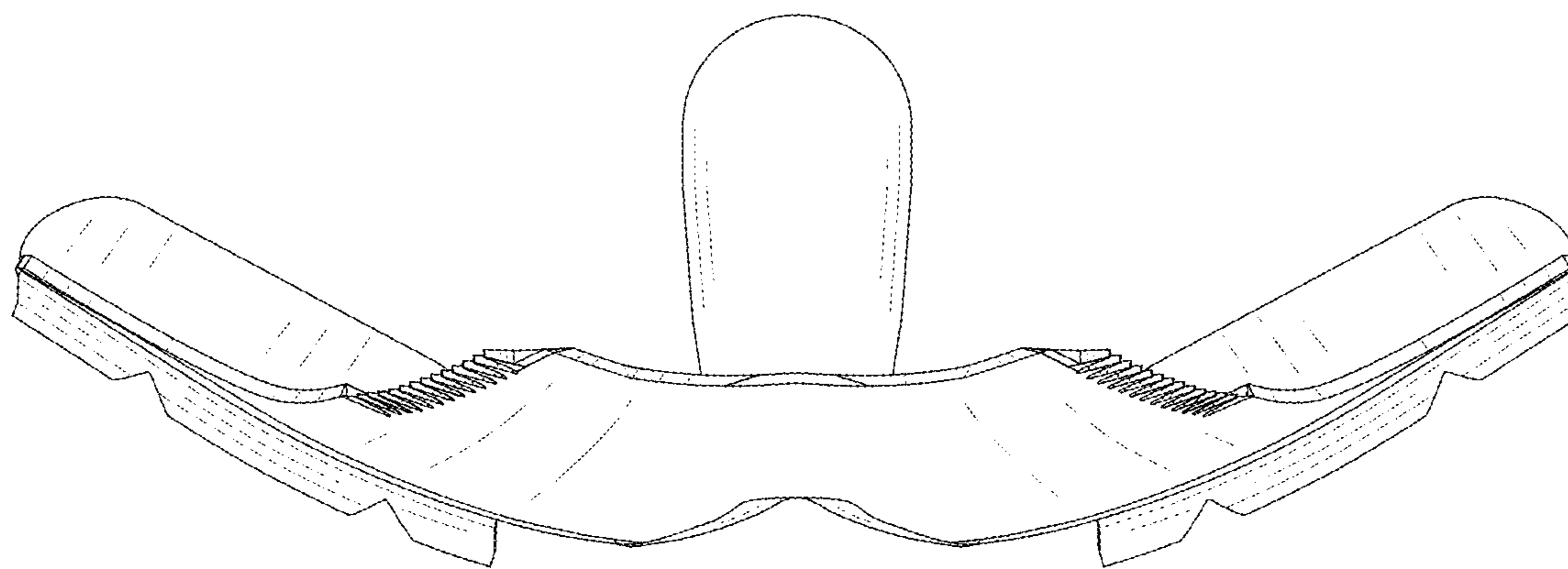


FIG. 8