



US00D952421S

(12) **United States Design Patent**
Kastning et al.

(10) **Patent No.: US D952,421 S**
(45) **Date of Patent: ** May 24, 2022**

(54) **HARVESTING TOOL**

(71) Applicant: **Duck Foot Parts Inc.**, Saskatoon (CA)

(72) Inventors: **Steven Ray Kastning**, Saskatoon (CA);
Chrisa Dawn McDougall-Kastning,
Saskatoon (CA)

(73) Assignee: **Duck Foot Parts Inc.**, Saskatoon (CA)

(**) Term: **15 Years**

(21) Appl. No.: **29/708,672**

(22) Filed: **Oct. 8, 2019**

(51) **LOC (13) Cl.** **08-01**

(52) **U.S. Cl.**

USPC **D8/1; D8/13**

(58) **Field of Classification Search**

USPC D8/6, 8, 13, 1; D15/28, 29; 56/364

CPC A01D 41/10; A01D 89/006; A01D 89/001

See application file for complete search history.

(56) **References Cited**

U.S. PATENT DOCUMENTS

D439,118 S * 3/2001 Tomita D8/8

D805,561 S * 12/2017 Kastning A01D 57/02

D15/28

11,058,054 B2 * 7/2021 Kastning A01D 57/02

2007/0289280 A1 * 12/2007 Marquardt A01D 57/02

56/16.1

OTHER PUBLICATIONS

Duck Foot Parts Inc. (Jan. 7, 2019). Interview at Ag In Motion 2018 [Video], YouTube. Accessed: 2021, Sep. 7. URL:<https://www.youtube.com/watch?v=sK44y17RN4I> (Year: 2019).*

* cited by examiner

Primary Examiner — Rachel A. Voorhies

Assistant Examiner — Benjamin D. Wannemacher

(74) *Attorney, Agent, or Firm* — Thomas J. Oppold;

Larkin Hoffman Daly & Lindgren, Ltd.

(57) **CLAIM**

The ornamental design for a harvesting tool, as shown and described.

DESCRIPTION

FIG. 1 is a perspective view of a harvesting tool, of the present design.

FIG. 2 is a front elevation view thereof;

FIG. 3 is a rear elevation view thereof;

FIG. 4. is a right-side elevation view thereof, the left-side elevation view being a mirror image thereof;

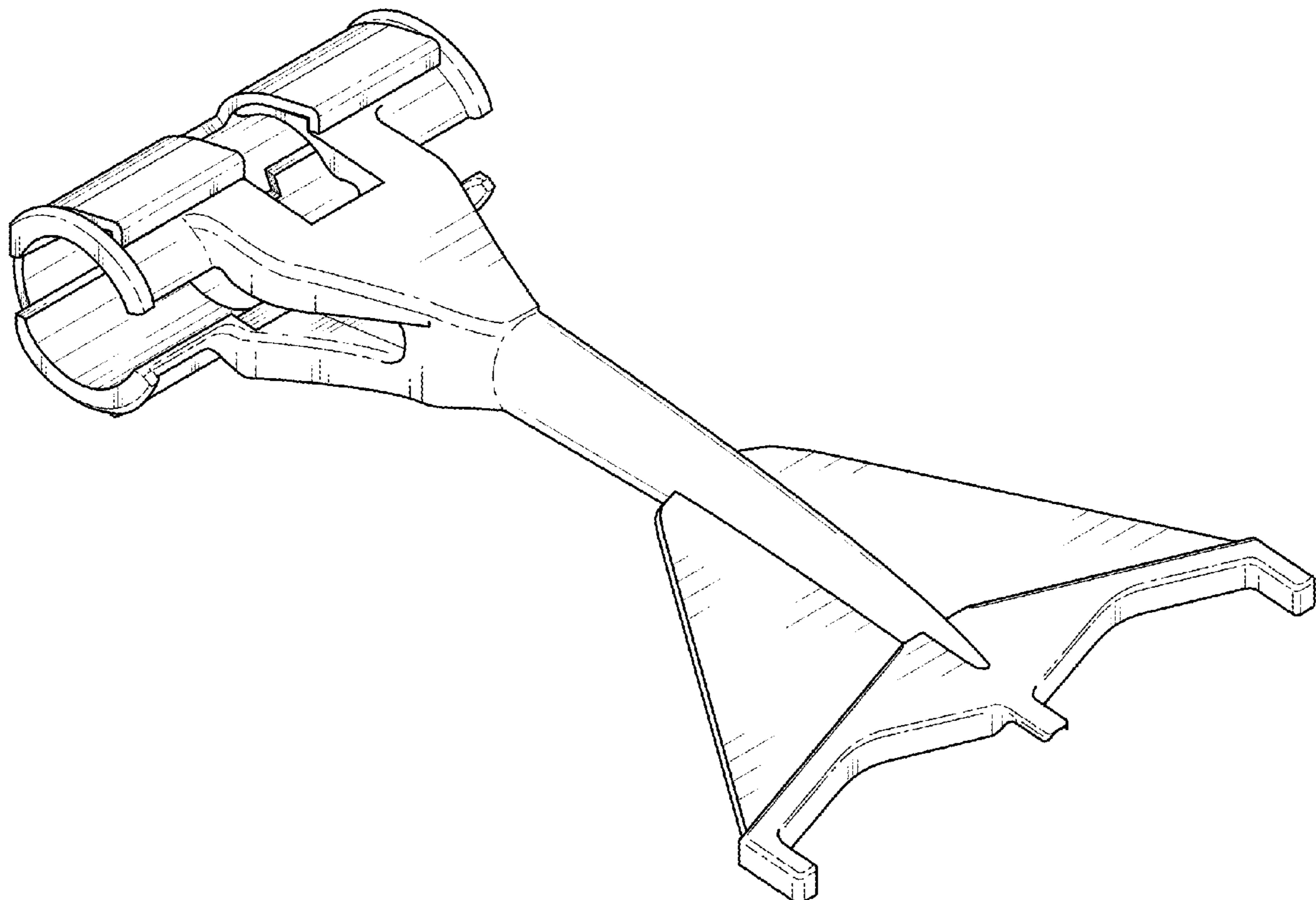
FIG. 5 is a top plan view thereof;

FIG. 6 is a bottom plan view thereof;

FIG. 7 is an exploded perspective view thereof; and,

FIG. 8 is an exploded sectional view thereof taken along the line 8-8 indicated in FIG. 7.

1 Claim, 7 Drawing Sheets



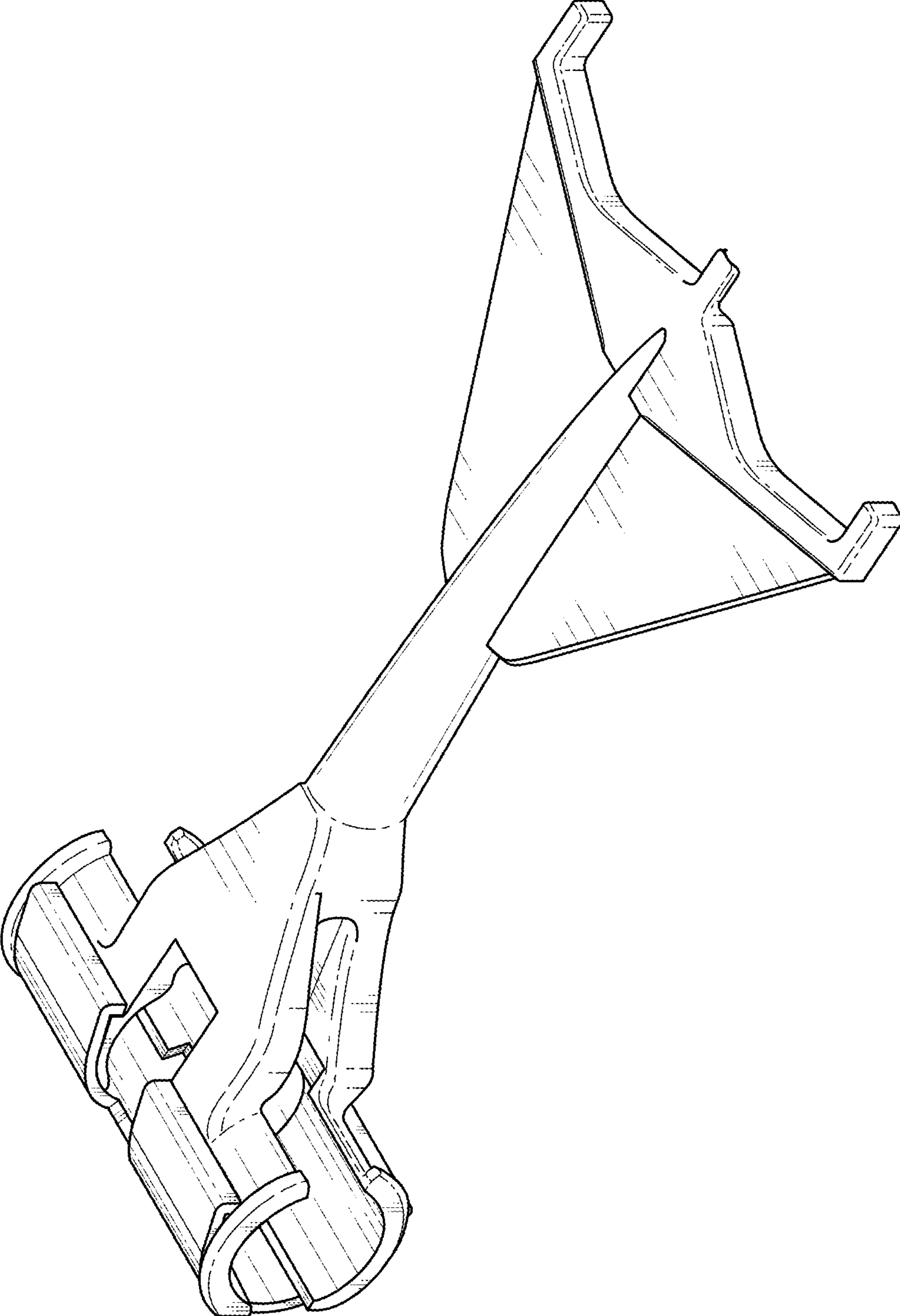


FIG. 1

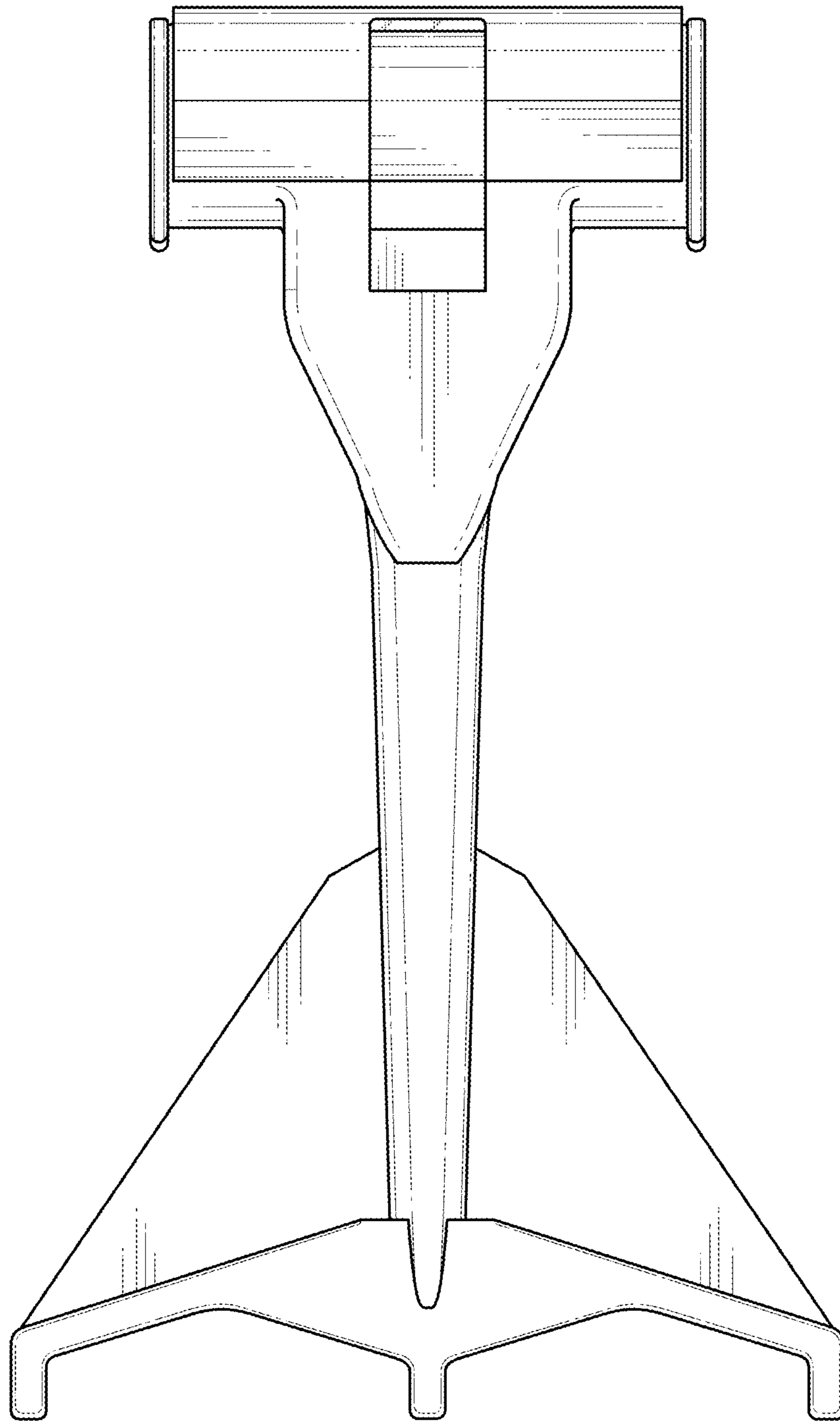


FIG. 2

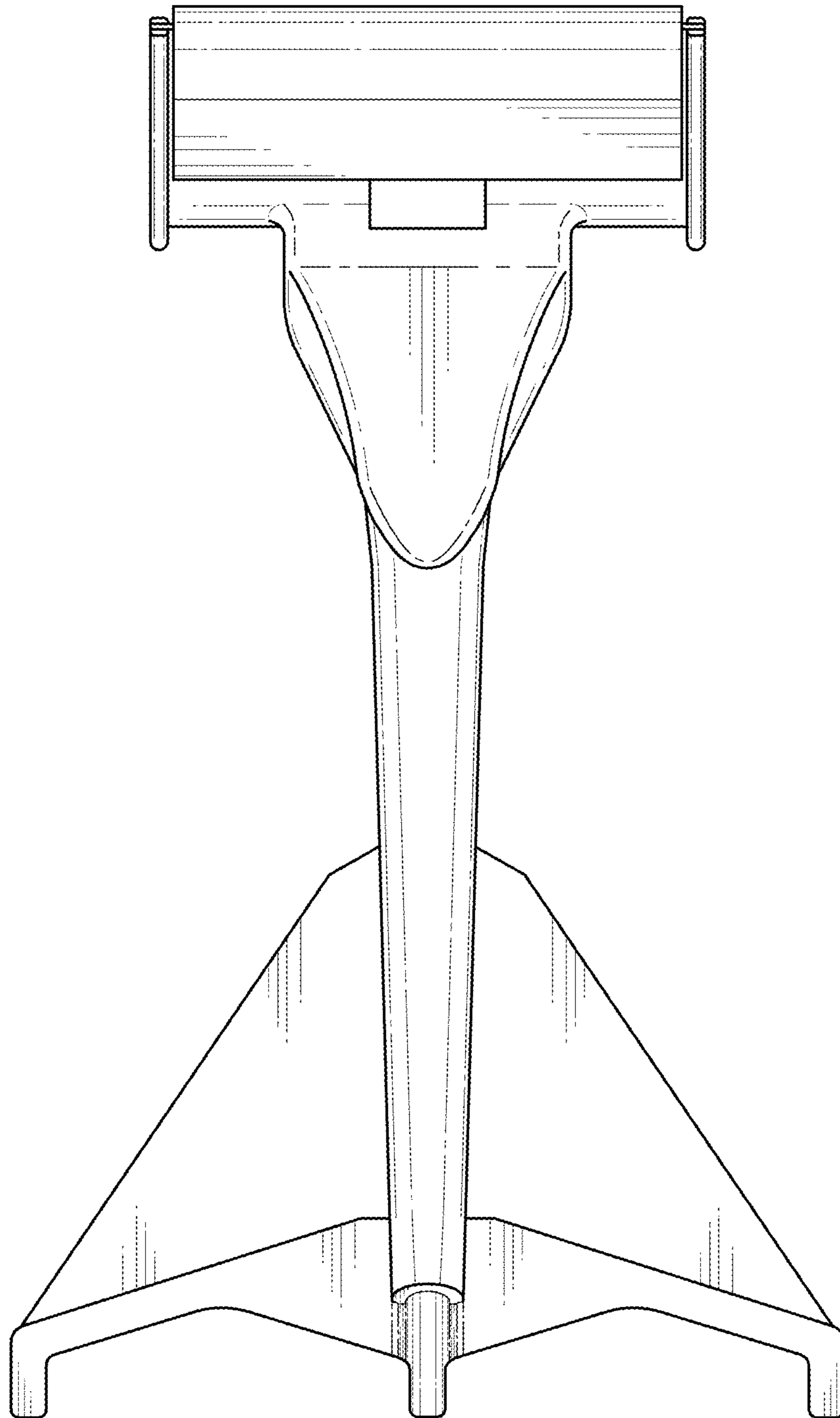


FIG. 3

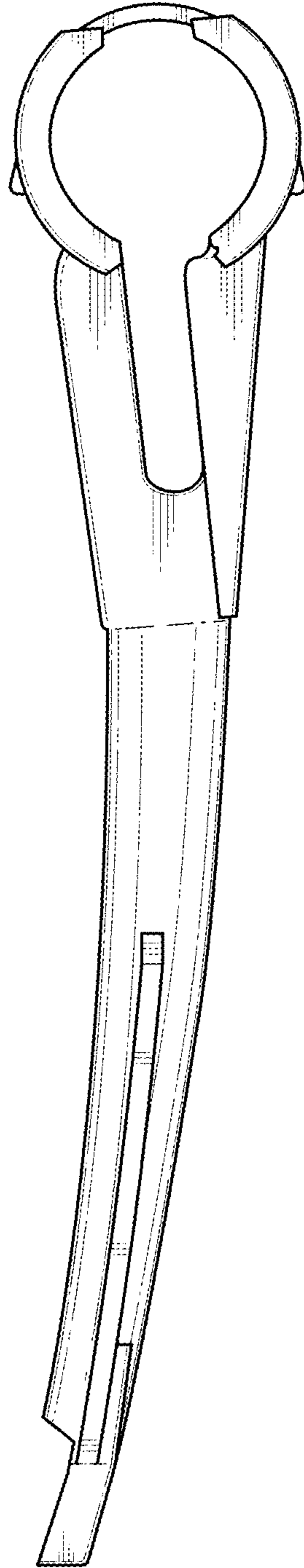


FIG. 4

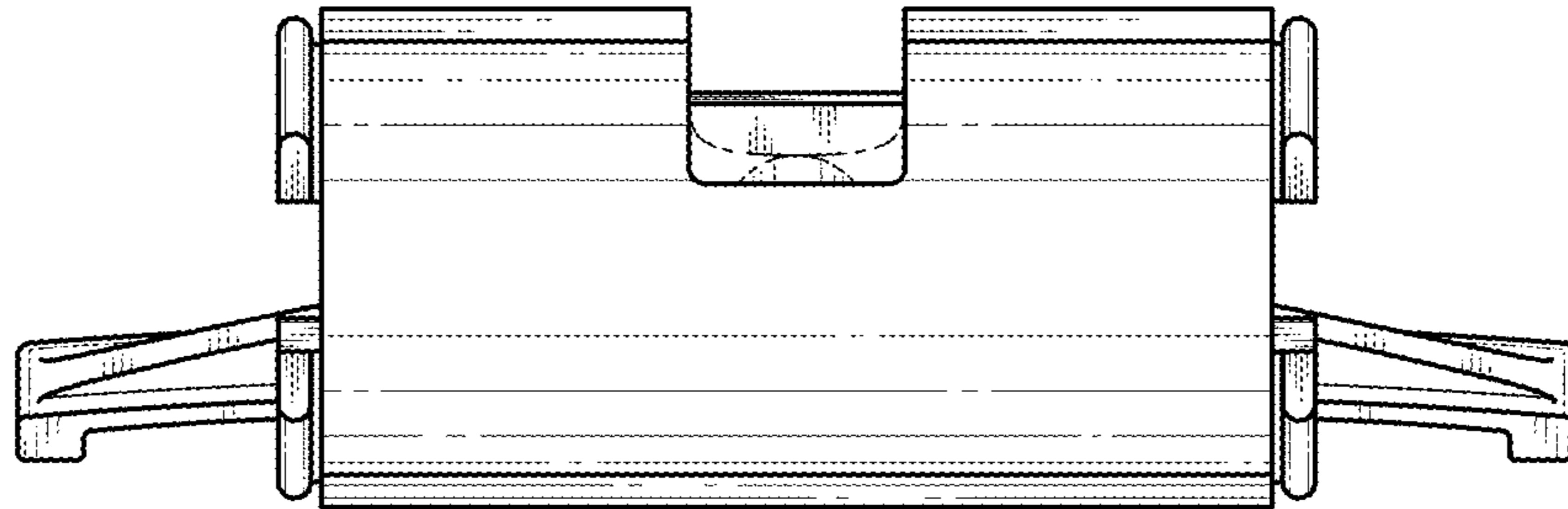


FIG. 5

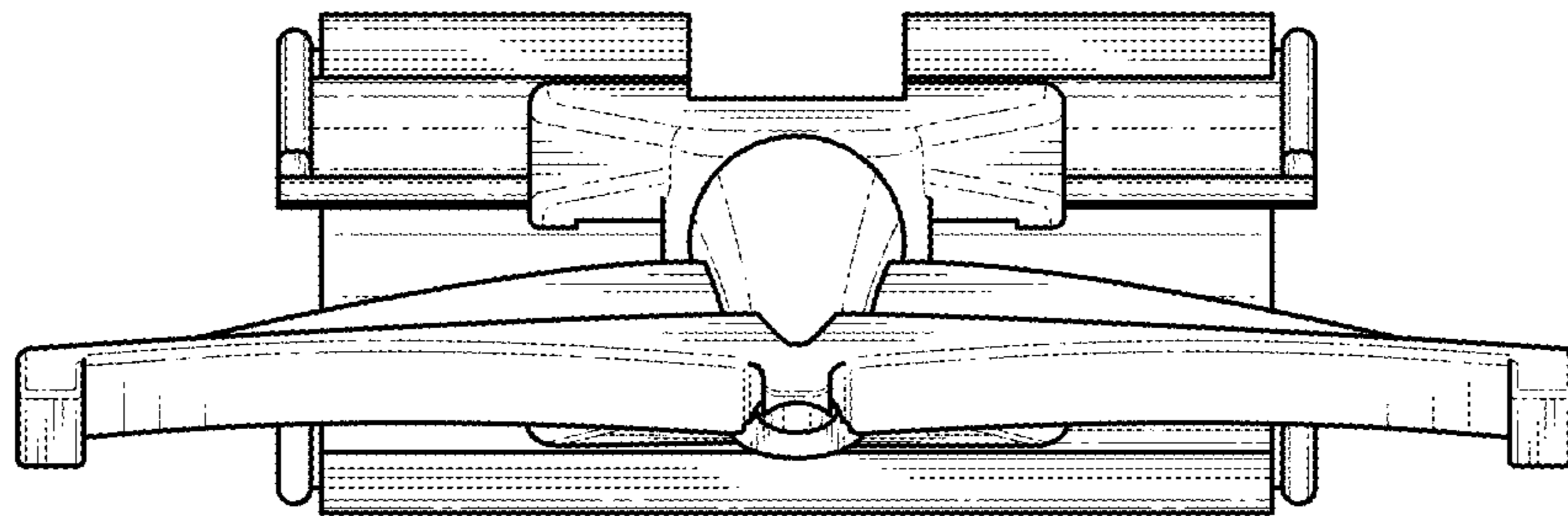


FIG. 6

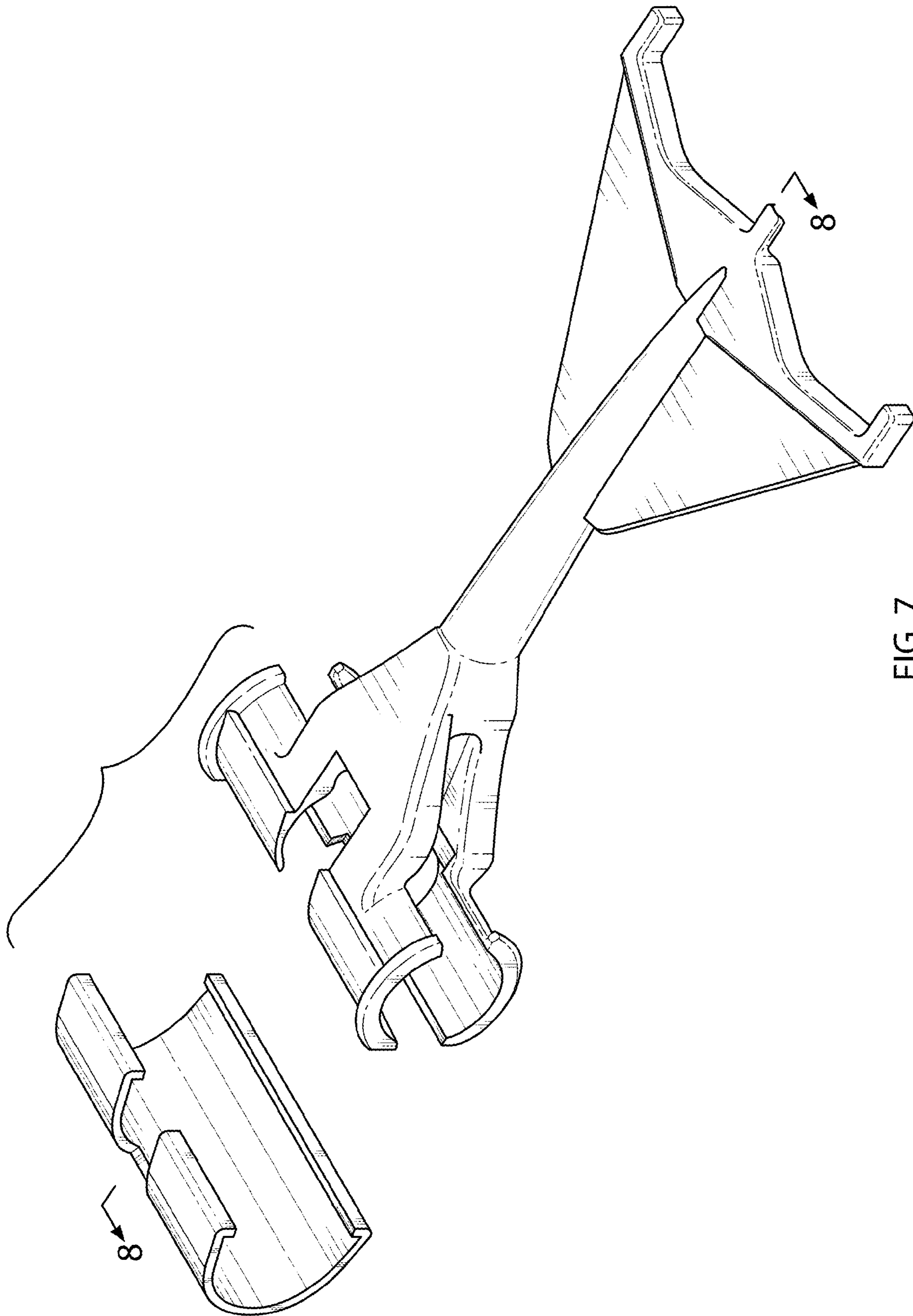


FIG. 7

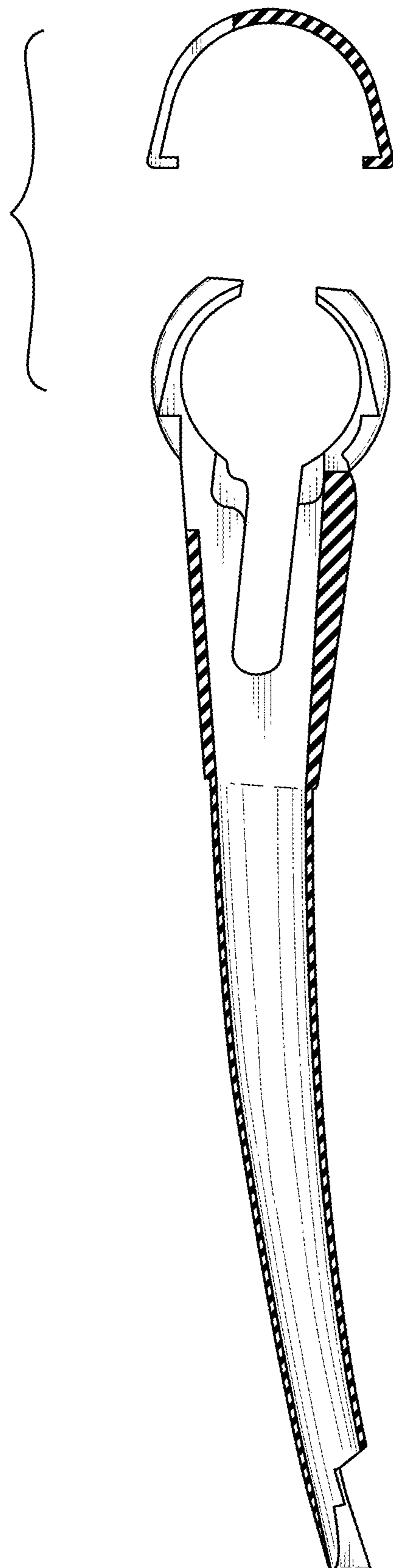


FIG. 8