



US00D952420S

(12) **United States Design Patent**
Klipshtein

(10) **Patent No.:** **US D952,420 S**

(45) **Date of Patent:** **** May 24, 2022**

(54) **FUNNEL SET**

(71) Applicant: **Hutzler Manufacturing Co., Inc.**,
Canaan, CT (US)

(72) Inventor: **Guy Klipshtein**, Givatayim (IL)

(73) Assignee: **Hutzler Manufacturing Co., Inc.**,
Canaan, CT (US)

(**) Term: **15 Years**

(21) Appl. No.: **29/721,287**

(22) Filed: **Jan. 20, 2020**

(51) **LOC (13) Cl.** **07-99**

(52) **U.S. Cl.**
USPC **D7/700**

(58) **Field of Classification Search**
USPC D7/213, 300, 300.1, 368, 369, 387,
D7/397-400, 412, 415, 598, 602, 647,
(Continued)

(56) **References Cited**

U.S. PATENT DOCUMENTS

132,963 A * 11/1872 Heermance C02F 1/003
210/473
496,617 A * 5/1893 Parker B67C 11/066
141/204

(Continued)

OTHER PUBLICATIONS

Design No. 302162557, Nov. 7, 2012—China National Intellectual
Property Administration Publication Date—Nov. 7, 2012 Owner—
Zhejiang Business Technology Institute, Designer—Wu Dongjun
WIPO, available at <https://www3.wipo.int/designdb/en/index.jsp> (Year:
2012).*

(Continued)

Primary Examiner — Mary Ann Calabrese

Assistant Examiner — Natalya M Rapundalo

(74) *Attorney, Agent, or Firm* — Patent Technologies,
LLC; Robert D. Gunderman, Jr.

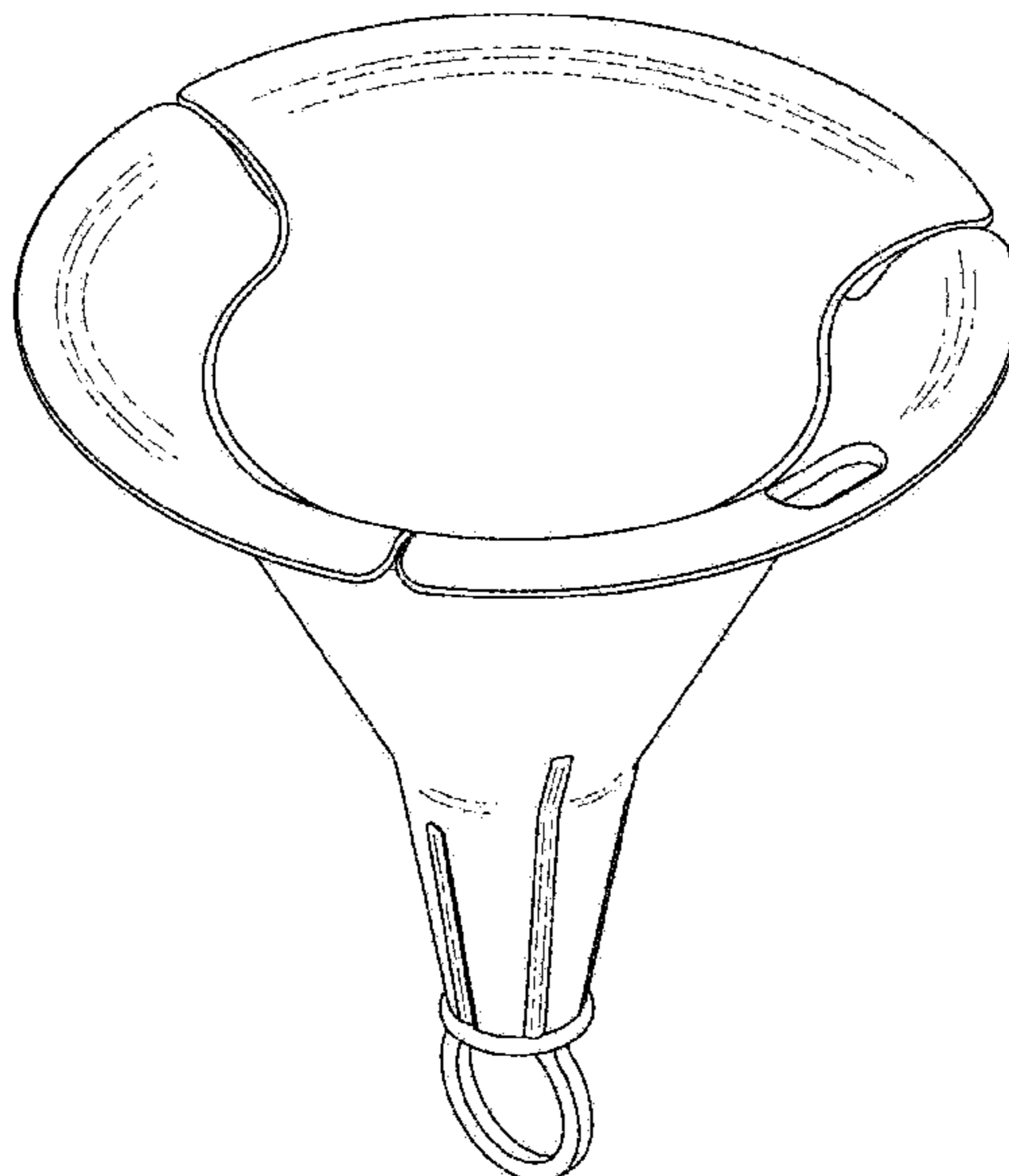
(57) **CLAIM**

The ornamental design for a funnel set, as shown and
described.

DESCRIPTION

FIG. 1 is a top perspective view of a funnel set showing my
new design in a nested configuration;
FIG. 2 is a bottom perspective view of the funnel set in a
nested configuration;
FIG. 3 is a top plan view of the funnel set in a nested
configuration;
FIG. 4 is a bottom plan view of the funnel set in a nested
configuration;
FIG. 5 is a first side view of the funnel set in a nested
configuration;
FIG. 6 is a second side view of the funnel set in a nested
configuration;
FIG. 7 is a third side view of the funnel set in a nested
configuration;
FIG. 8 is a top perspective view of the funnel set in a
separated configuration;
FIG. 9 is a bottom perspective view of the funnel set in a
separated configuration;
FIG. 10 is a top plan view of the funnel set in a separated
configuration;
FIG. 11 is a bottom plan view of the funnel set in a separated
configuration;
FIG. 12 is a side view of the funnel set in a separated
configuration.
FIG. 13 is a second side view of the funnel set in a separated
configuration; and,
FIG. 14 is a third side view of the funnel set in a separated
configuration.

1 Claim, 14 Drawing Sheets



(58) **Field of Classification Search**

USPC D7/665–667, 669, 679, 692, 700; D8/1;
 D9/435, 436, 443, 447; D15/150–152;
 D23/200, 261; D24/112; 141/297–300
 CPC A47J 19/00; A47J 19/005; A47J 19/02;
 A47J 19/023; A47J 19/027; A47J 27/60;
 A47J 42/50; B65D 83/30; B65D 88/26;
 B65D 2231/007; B65D 2517/0049; B67C
 11/02; B67C 11/04

See application file for complete search history.

D836,411 S * 12/2018 Rudmo B67C 11/02
 D7/700
 D847,448 S * 4/2019 Twining B67C 11/04
 D34/1
 D915,135 S * 4/2021 Lin B67C 11/02
 D7/400
 2001/0032682 A1* 10/2001 Woratyla B67C 11/02
 141/333
 2003/0106608 A1* 6/2003 Walter B67C 11/02
 141/331

(56)

References Cited

U.S. PATENT DOCUMENTS

1,462,606 A * 7/1923 McCrone A47J 43/14
 99/499
 1,549,268 A * 8/1925 Kerekes B67C 11/04
 141/344
 2,174,228 A * 9/1939 Perkins B67C 11/02
 141/339
 D341,147 S * 11/1993 Pollak 141/331
 D426,283 S * 6/2000 Hernandez, Jr. B67C 11/066
 D23/200
 D560,106 S * 1/2008 Curtin D7/700
 D567,038 S * 4/2008 Carallo D7/700
 D717,114 S * 11/2014 Katterheinrich D7/505
 D738,169 S * 9/2015 Weisenbach D7/700
 D763,335 S * 8/2016 Ruffin B67C 11/02
 D15/150
 D803,620 S * 11/2017 Yeh D7/400

OTHER PUBLICATIONS

Design No. 303365395, Sep. 9, 2015—China National Intellectual Property Administration Publication Date—Sep. 9, 2015 Owner—Chen yanbo WIPO, available at <https://www3.wipo.int/designdb/en/index.jsp> (Year: 2015).*

Hutzler Interlocking funnel set, first available Aug. 30, 2021, Amazon, [online], [site visited Nov. 16, 2021], Available from internet URL: <https://www.amazon.com/Hutzler-Interlocking-funnel-White-Turquoise/dp/B09F13WCWF> (Year: 2021).*

Kitchen Funnel Set of 3, first available Jun. 28, 2021, Amazon, [online], [site visited Nov. 16, 2021], Available from internet URL: <https://www.amazon.com/dp/B0982YQ7T1> (Year: 2021).*

Design No. 306340608, Feb. 23, 2021—China National Intellectual Property Administration Publication Date—Feb. 23, 2021 Owner—Hutzler Manufacturing Co Inc, Designer—G Kripstein WIPO, available at <https://www3.wipo.int/designdb/en/index.jsp> (Year: 2021).*

* cited by examiner

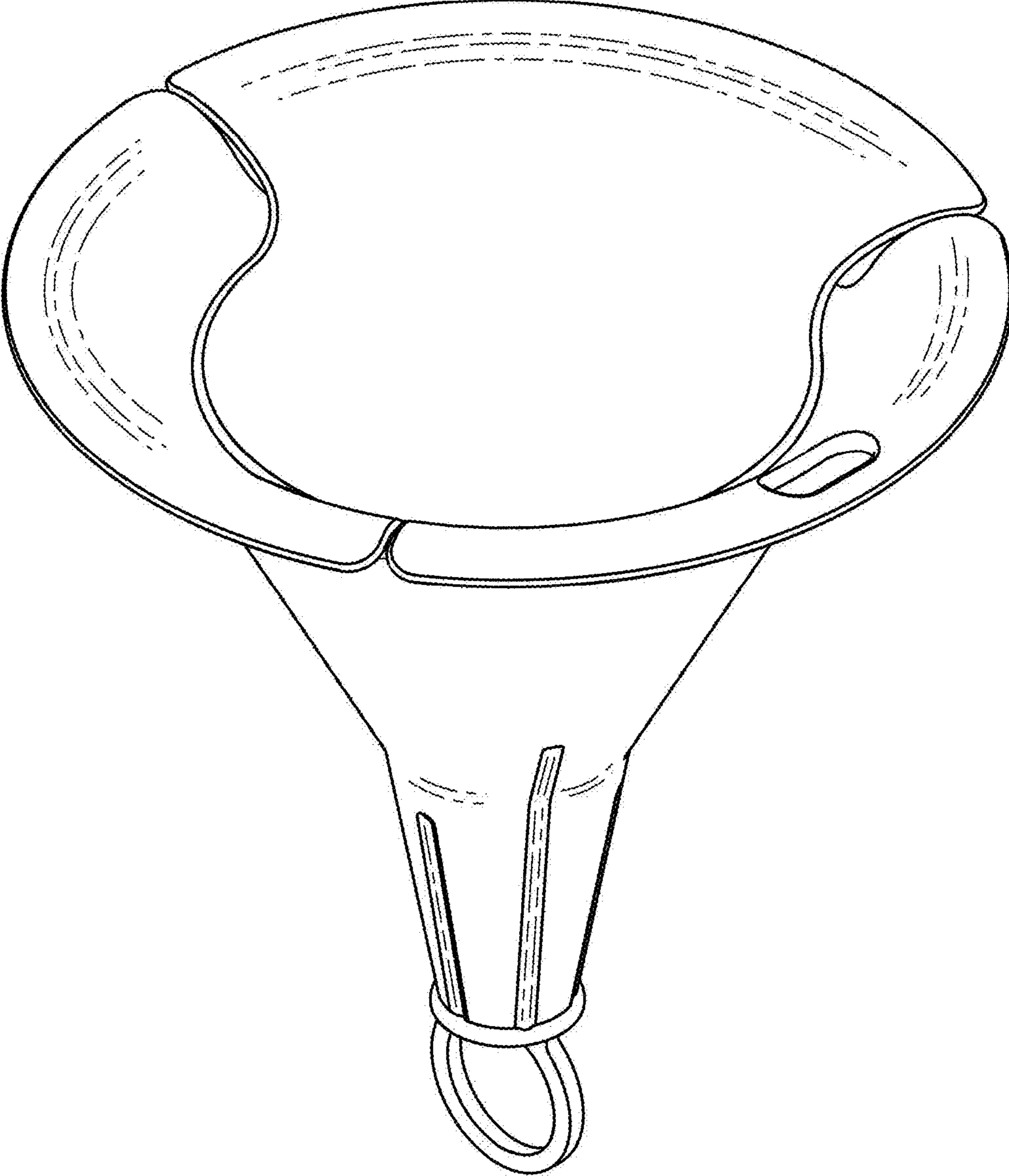


Fig. 1

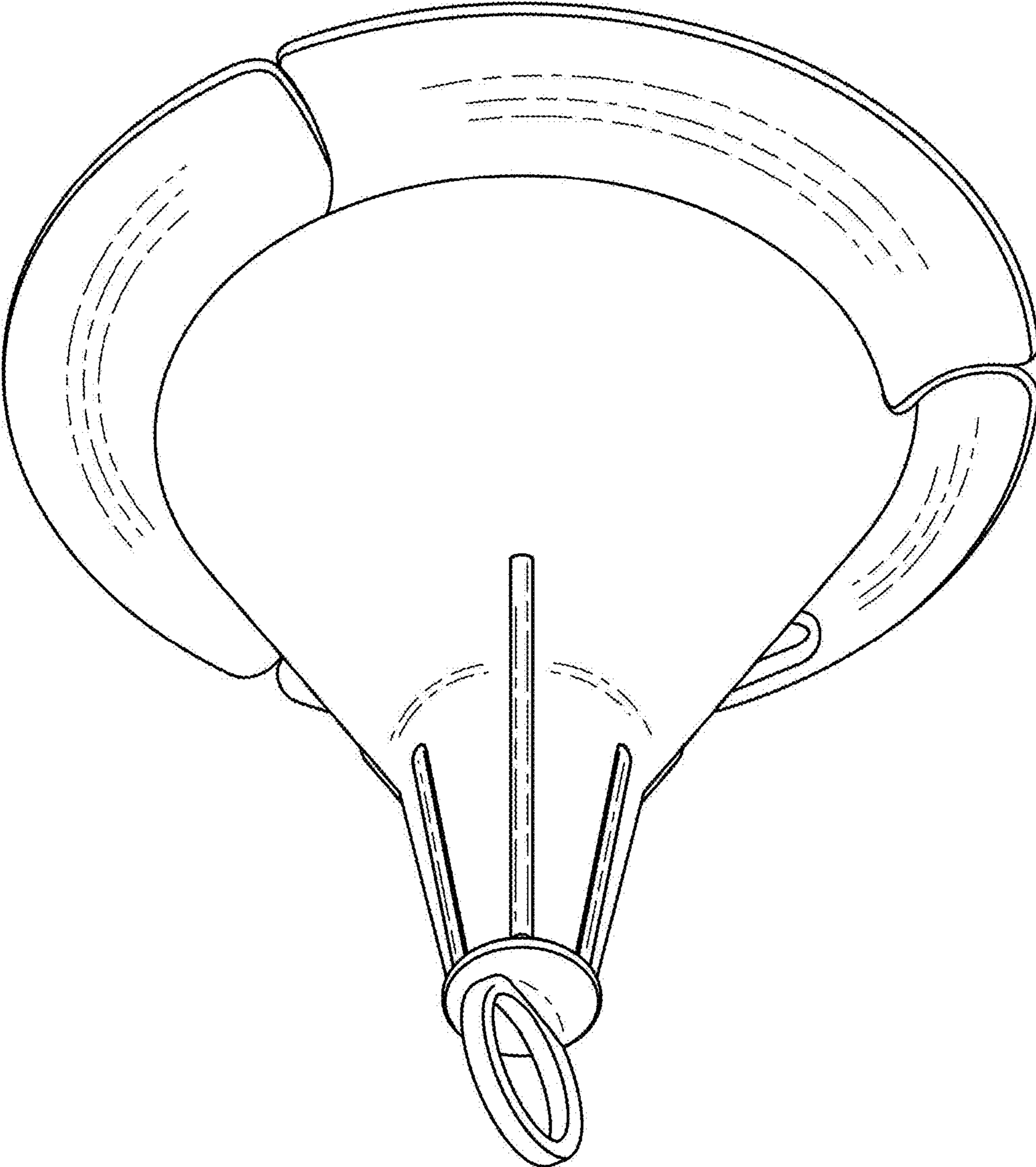


Fig. 2

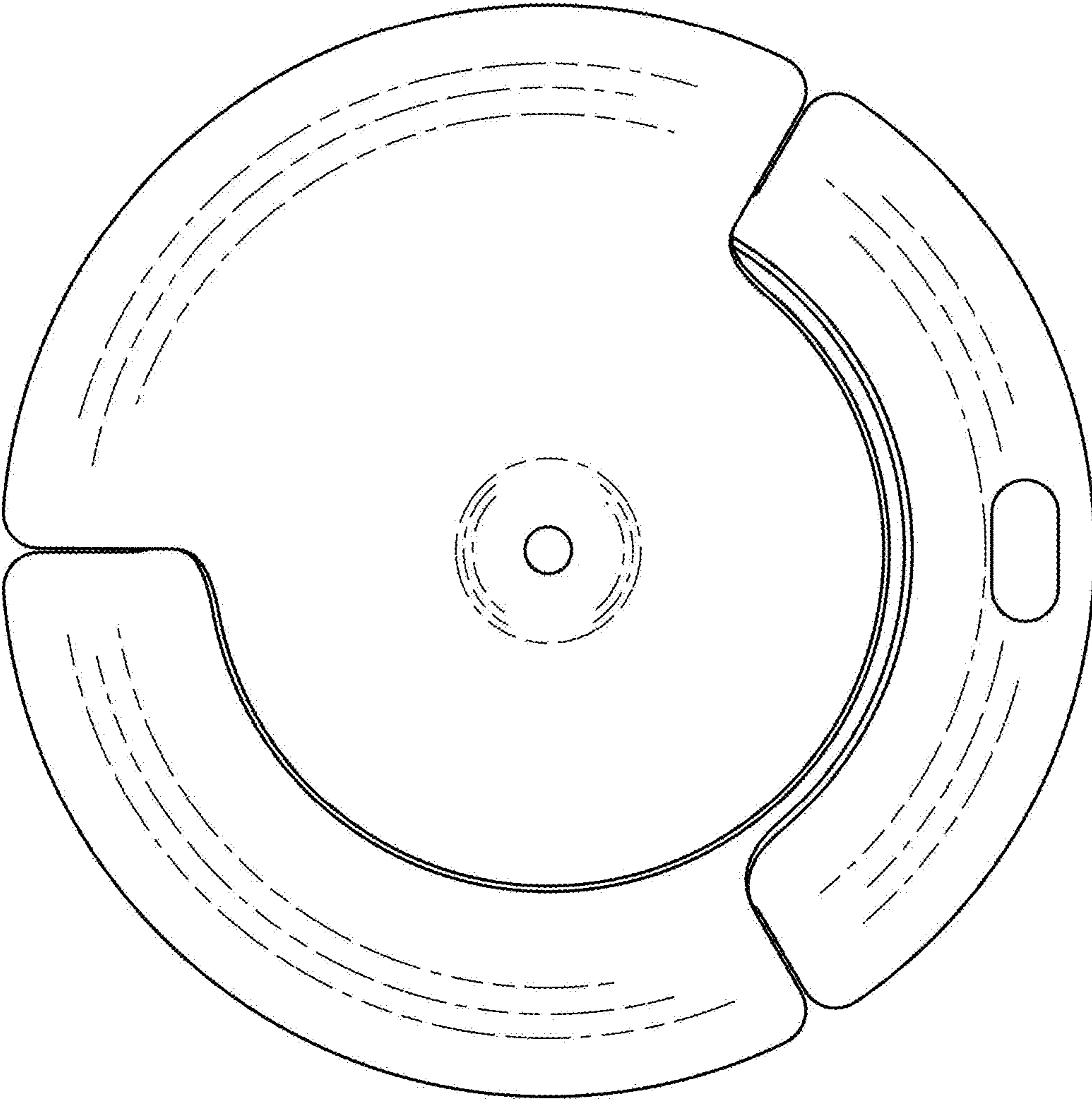


Fig. 3

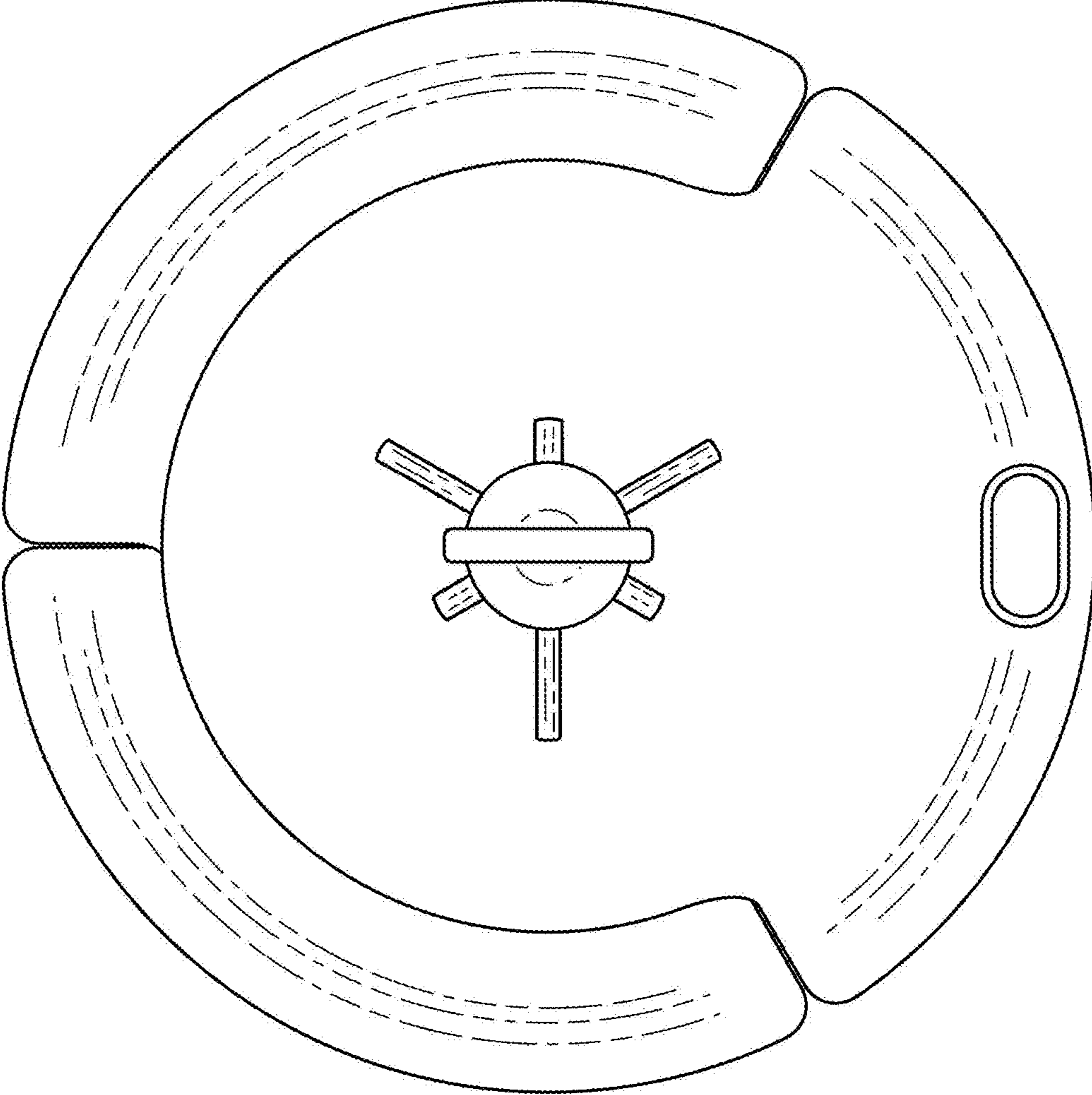


Fig. 4

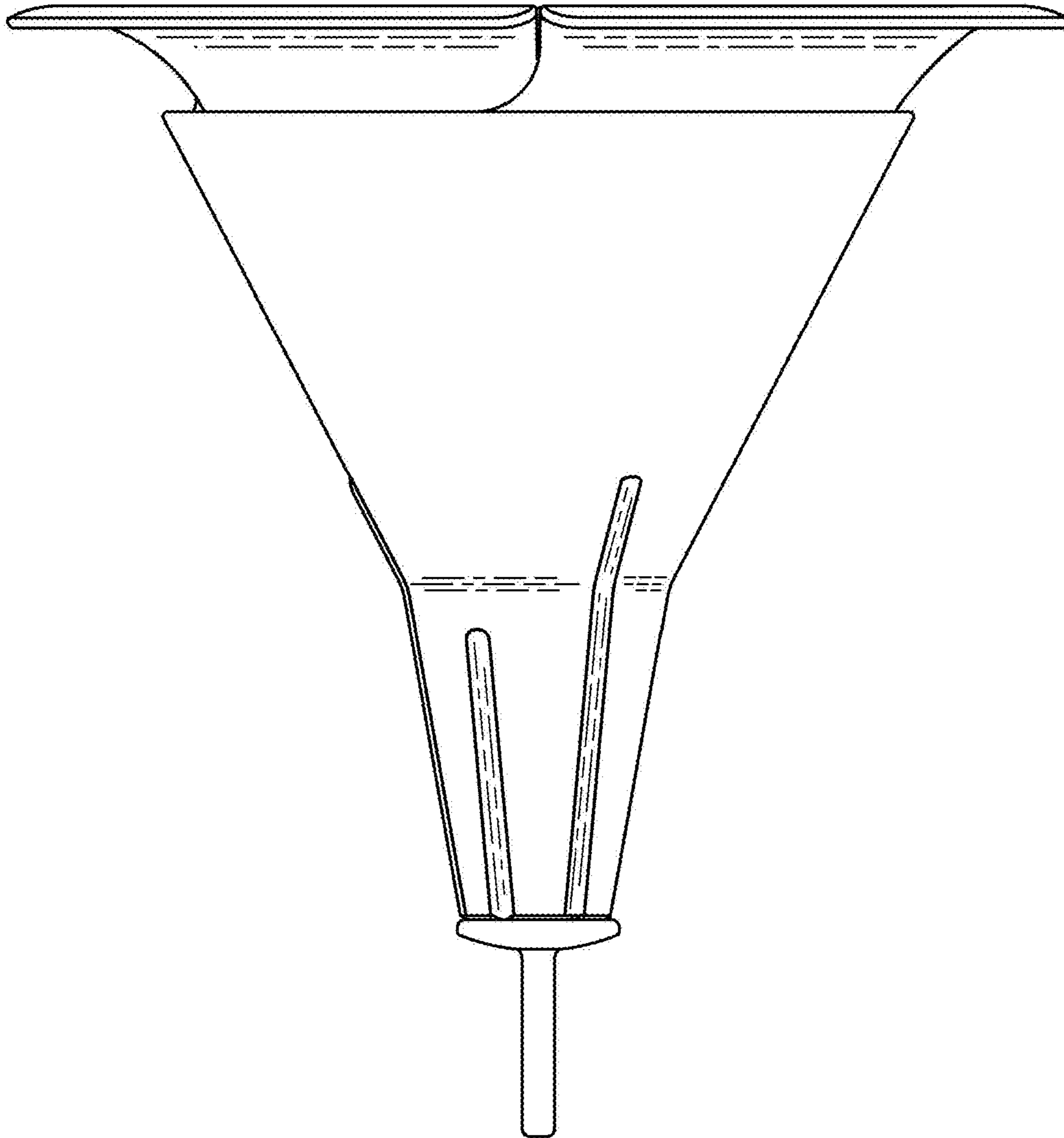


Fig. 5

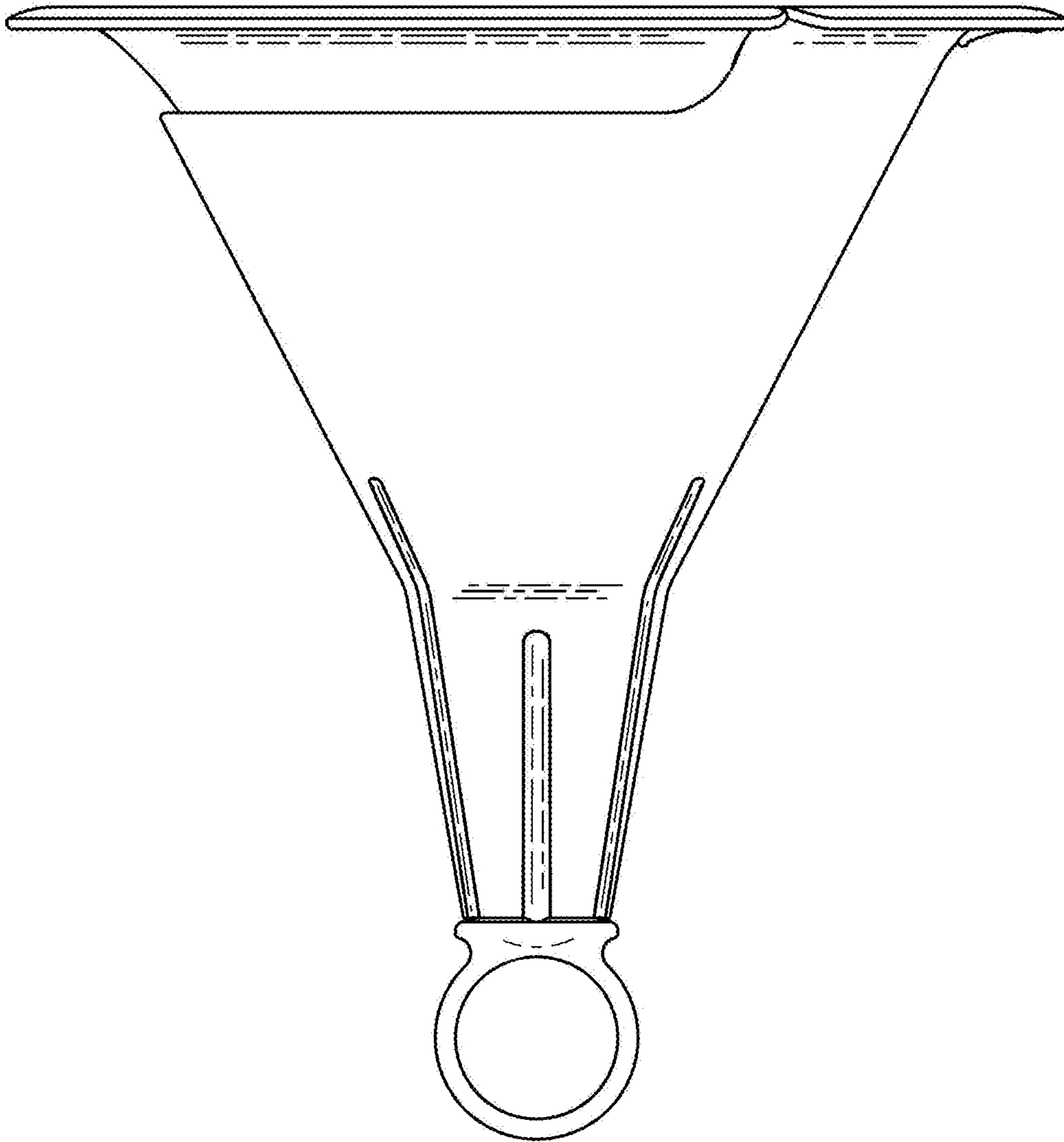


Fig. 6

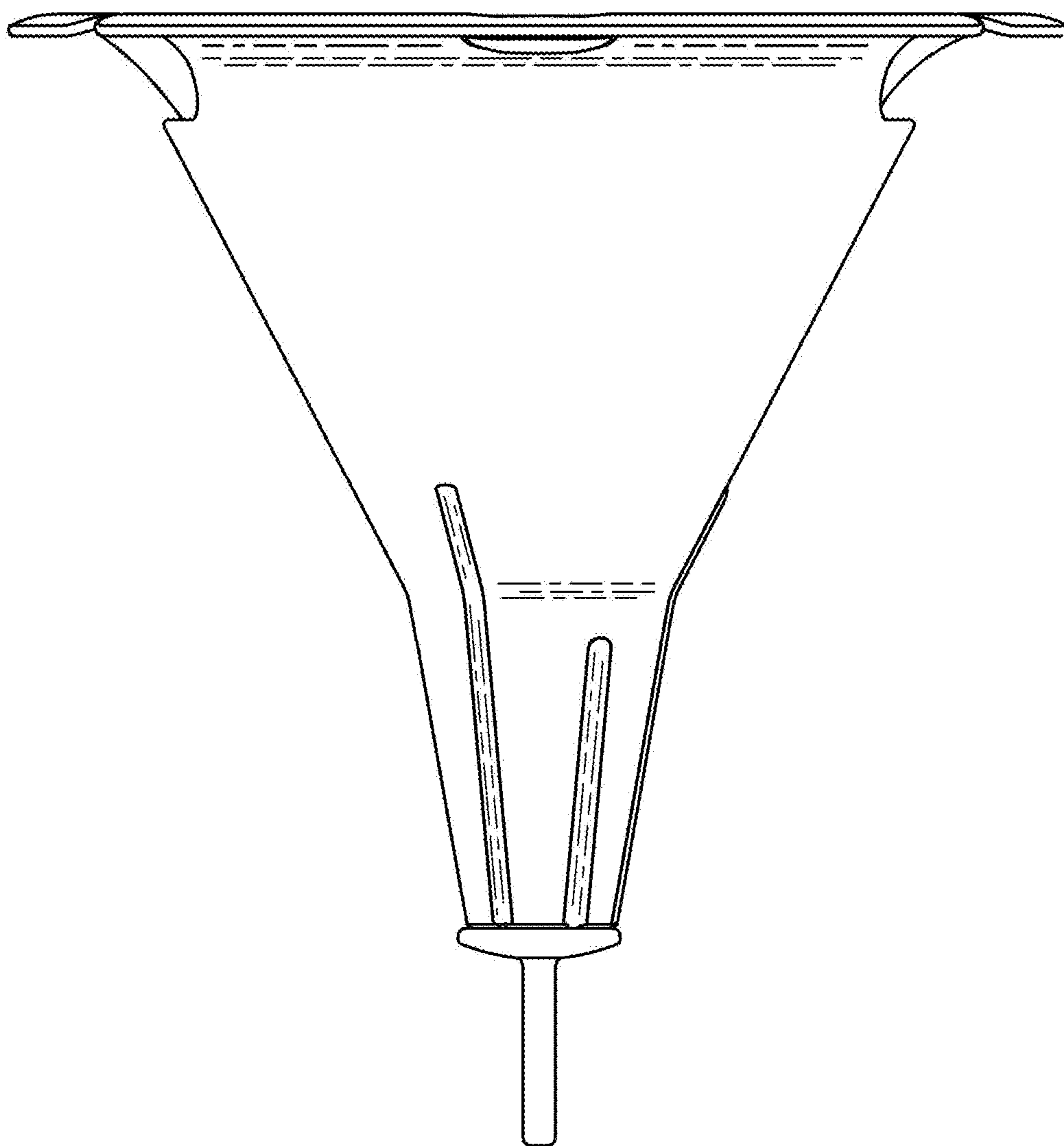


Fig. 7

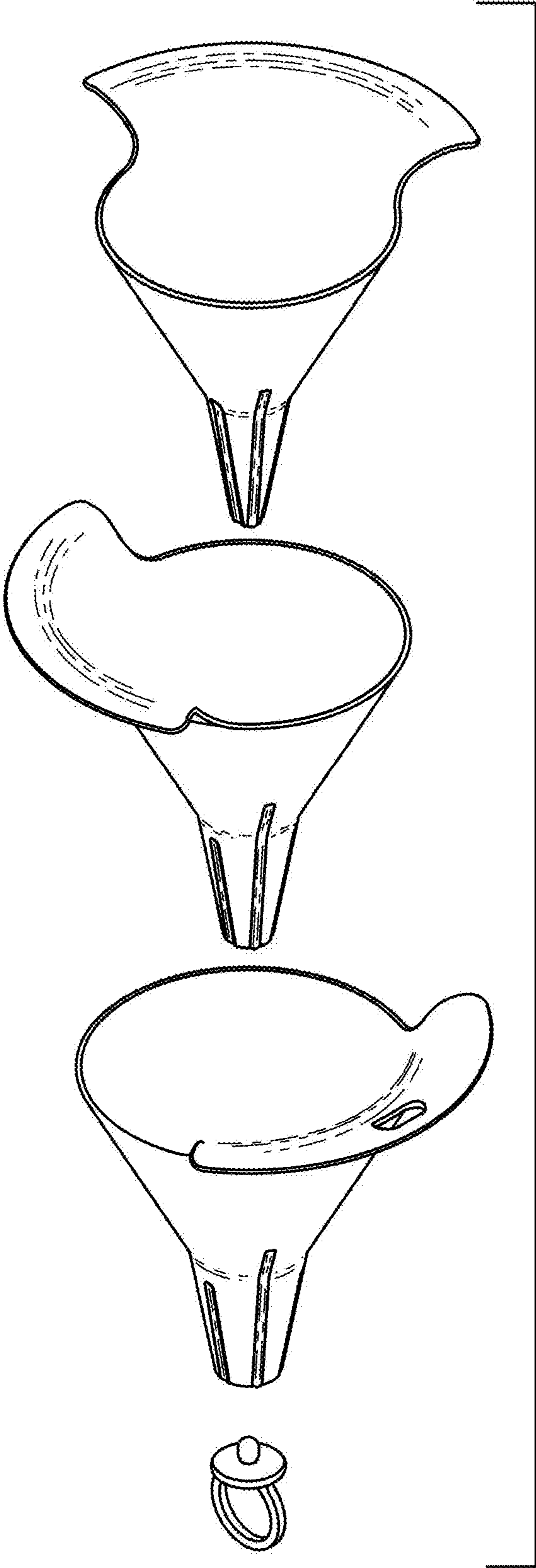


Fig. 8

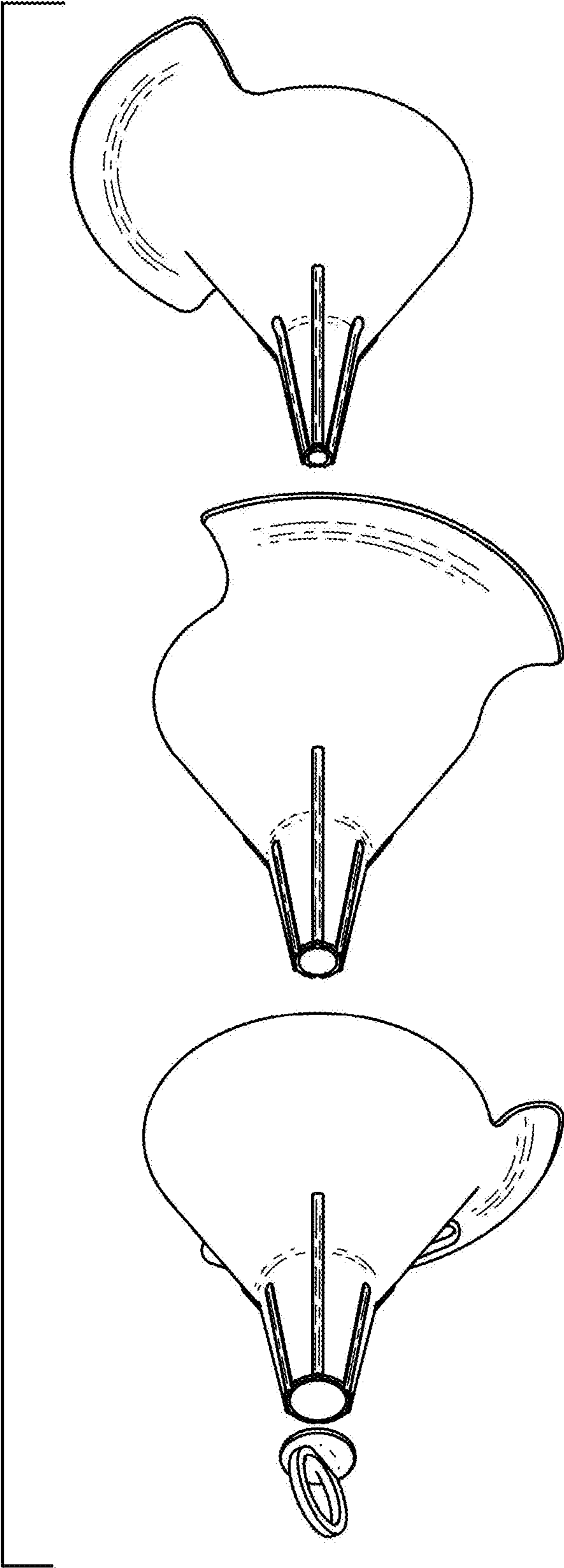


Fig. 9

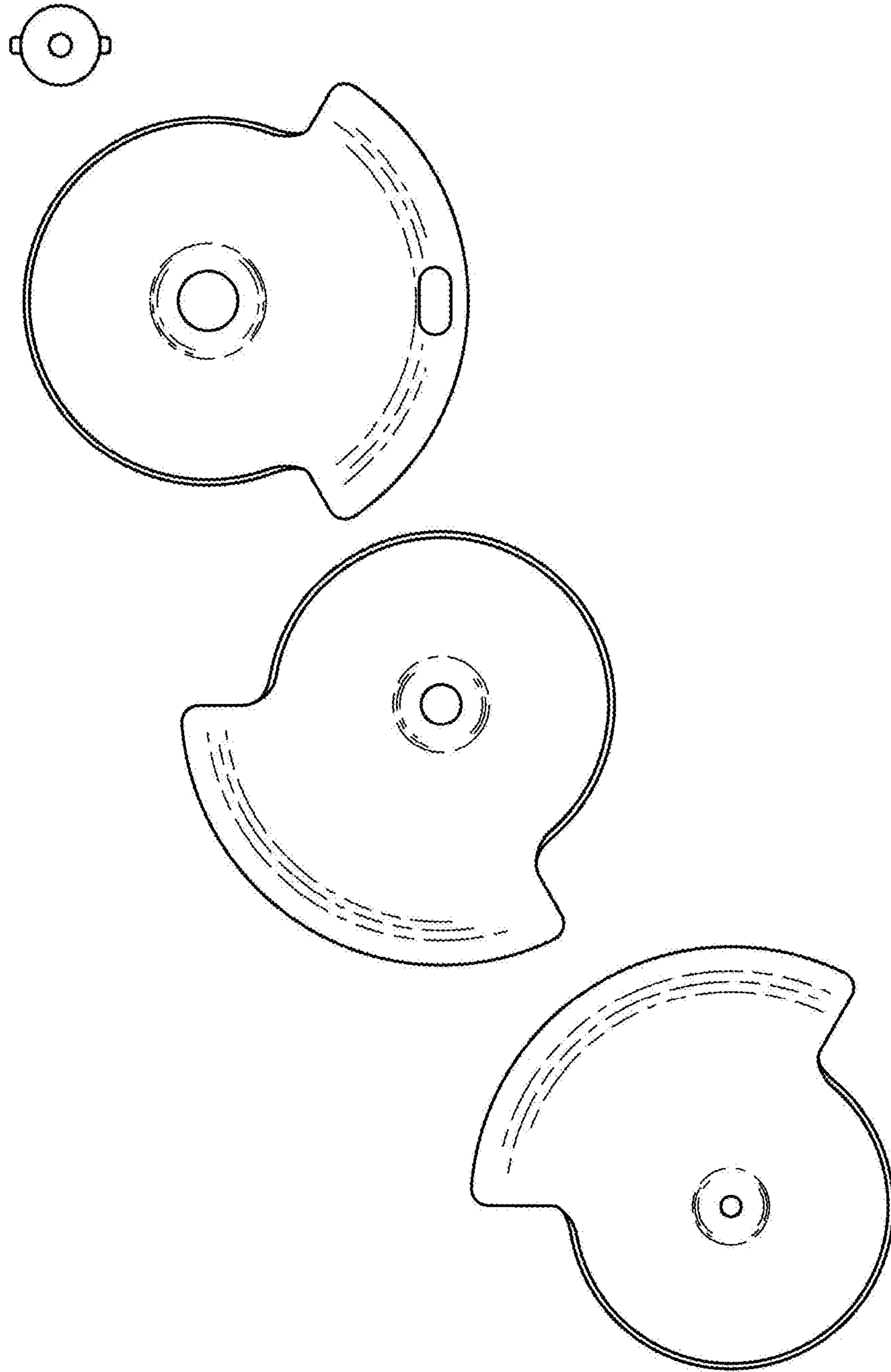


Fig. 10

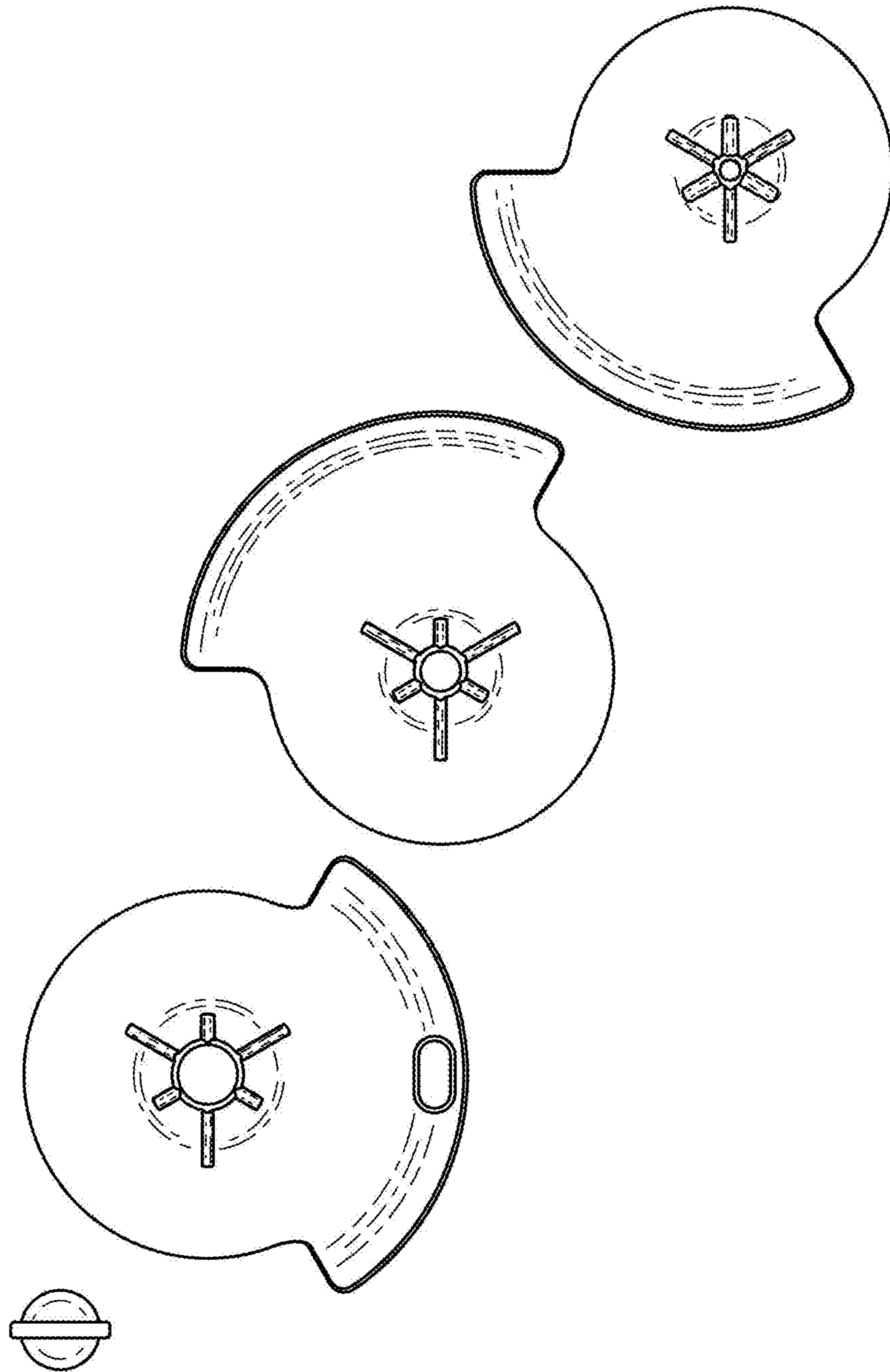


Fig. 11

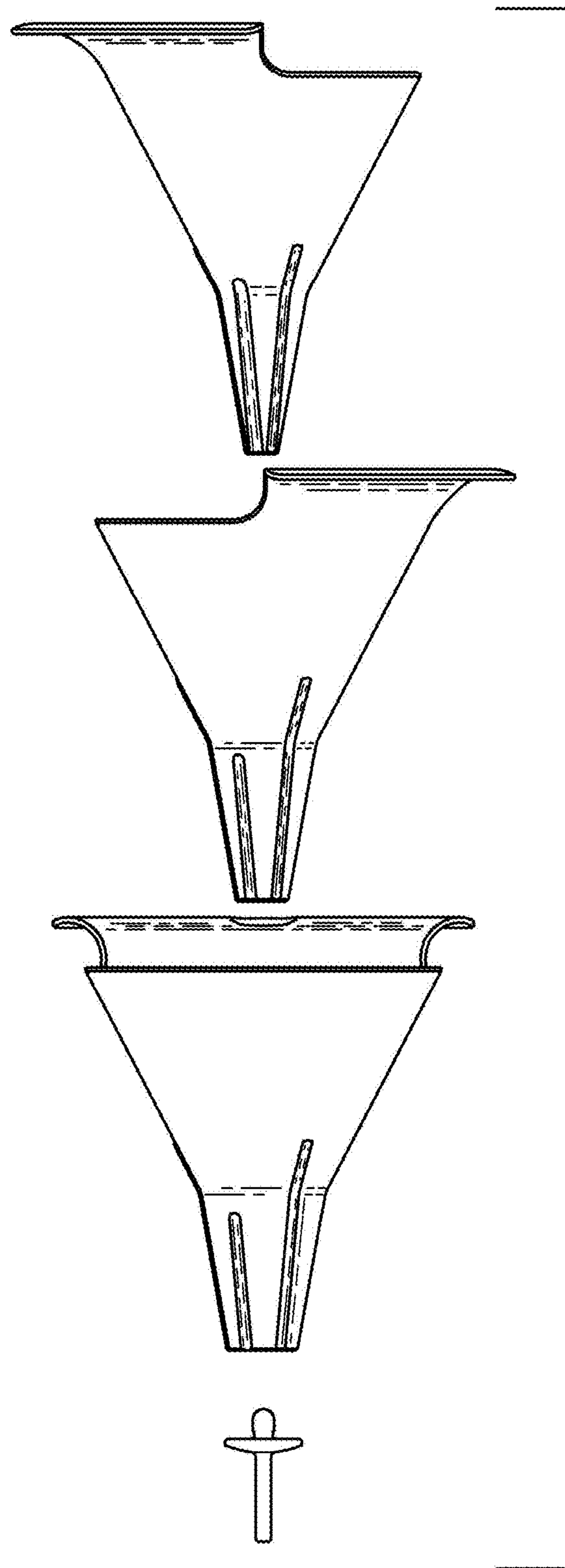


Fig. 12

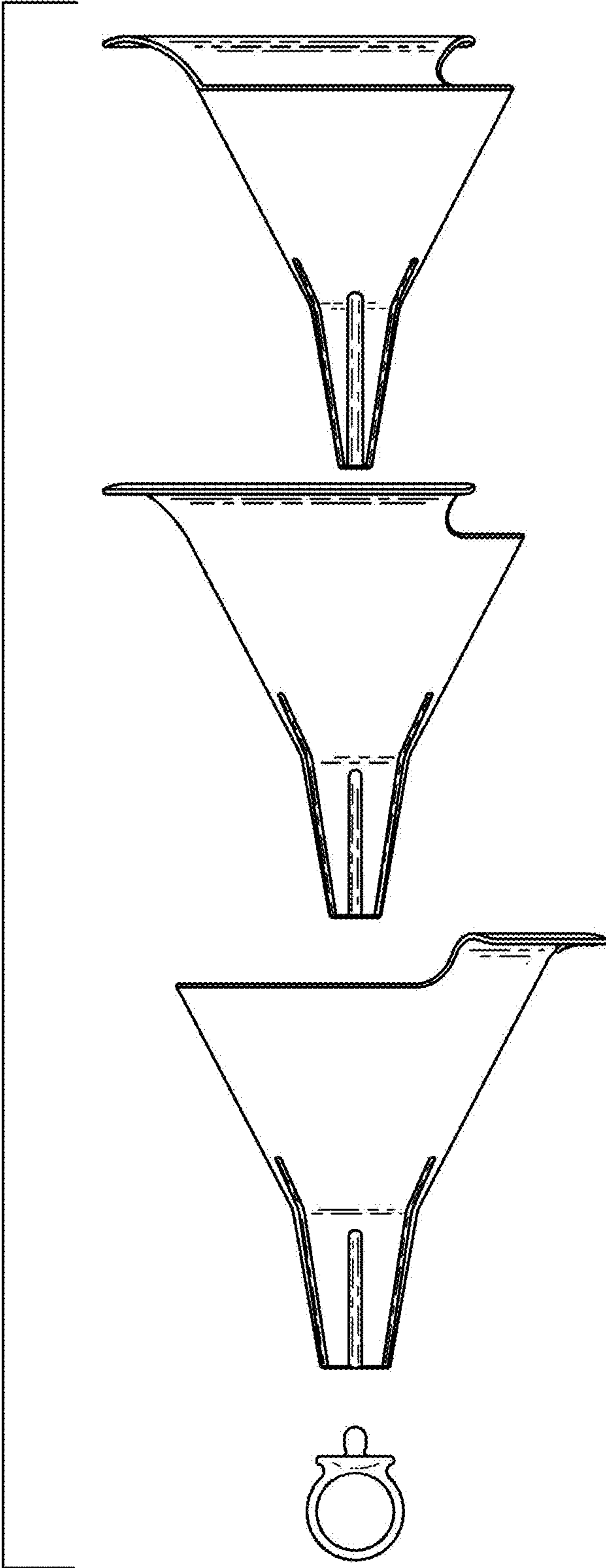


Fig. 13

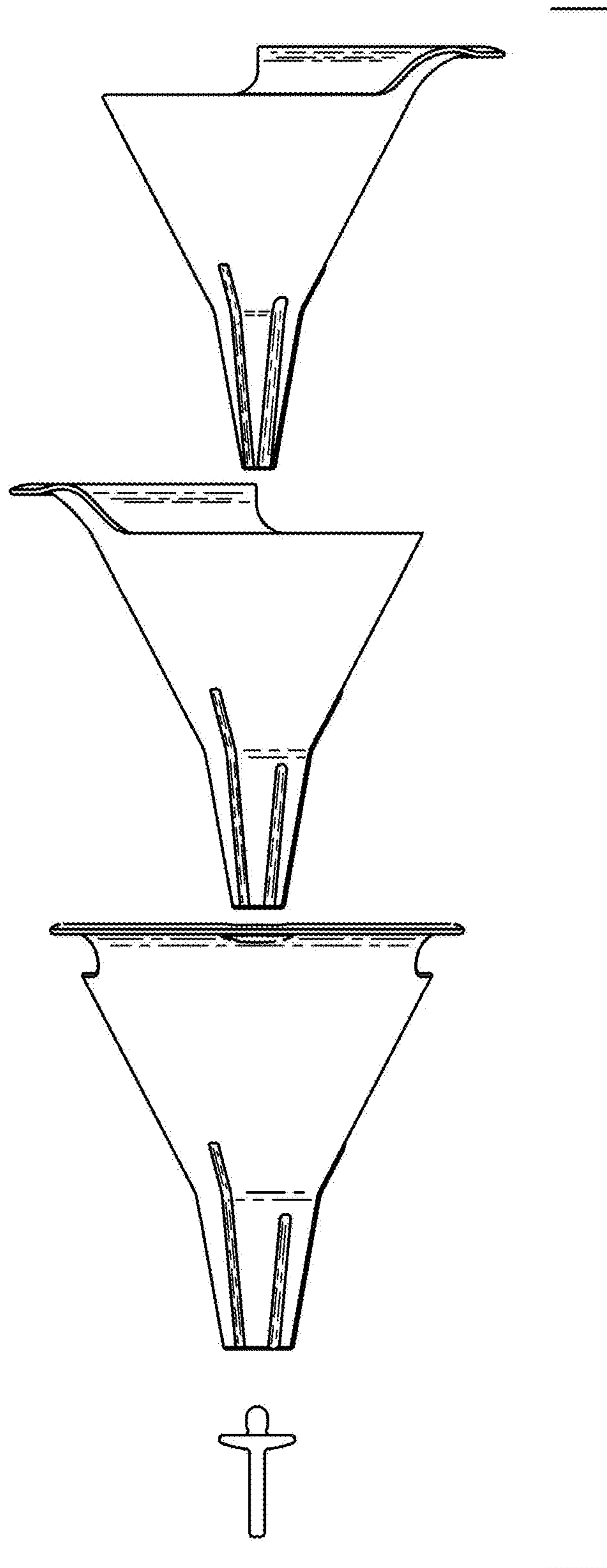


Fig. 14