

US00D952417S

(12) **United States Design Patent** (10) **Patent No.:** **US D952,417 S**
Maghsadi et al. (45) **Date of Patent:** **** May 24, 2022**

(54) **COOKING UTENSIL**

(71) Applicant: **Frontline Advance, LLC**, Southlake, TX (US)

(72) Inventors: **Alexander K. Maghsadi**, Lewisville, TX (US); **Eric H. Jan**, Lehi, UT (US)

(73) Assignee: **SOLO BRANDS, LLC**, Grapevine, TX (US)

(**) Term: **15 Years**

(21) Appl. No.: **29/727,308**

(22) Filed: **Mar. 10, 2020**

(51) **LOC (13) Cl.** **07-02**

(52) **U.S. Cl.**
USPC **D7/688**

(58) **Field of Classification Search**
USPC D7/213, 372, 381, 412, 673, 683, 686, D7/687, 688, 689, 691, 692, 693, 694, D7/695, 696; D24/147; D32/42, 46, 49; D8/10
CPC A47J 43/282; A47J 43/288
See application file for complete search history.

(56) **References Cited**

U.S. PATENT DOCUMENTS

D31,935 S *	12/1899	Smith	D7/688
1,749,103 A *	3/1930	Kortick	B25G 1/00
				403/247
1,902,705 A *	3/1933	Kee	A01B 1/12
				172/380
2,280,778 A *	4/1942	Andersen	A01B 1/227
				172/371
D244,507 S *	5/1977	Jones	D32/42
D253,789 S *	12/1979	Gupta	D24/147
D258,111 S *	2/1981	Christen, Jr.	D32/49
D275,723 S *	10/1984	Leininger	D18/14
D297,494 S *	9/1988	Derting, Jr.	D32/46

(Continued)

Primary Examiner — S. Bryan Reinholdt, Jr.

(74) *Attorney, Agent, or Firm* — Haynes and Boone, LLP

(57) **CLAIM**

The ornamental design for a cooking utensil, as shown and described.

DESCRIPTION

This application is related to U.S. application Ser. No. 29/727,324, filed Mar. 10, 2020, the entire disclosure of which is hereby incorporated herein by reference.

This application is related to U.S. application Ser. No. 29/727,321, filed Mar. 10, 2020, the entire disclosure of which is hereby incorporated herein by reference.

This application is also related to U.S. application Ser. No. 29/727,315, filed Mar. 10, 2020, the entire disclosure of which is hereby incorporated herein by reference.

FIG. 1 is a front perspective view of a cooking utensil showing our new design according to a first embodiment;

FIG. 2 is a top view of the first embodiment;

FIG. 3 is a bottom view of the first embodiment;

FIG. 4 is a right side view of the first embodiment;

FIG. 5 is a left side view of the first embodiment;

FIG. 6 is a front view of the first embodiment shown at a larger scale;

FIG. 7 is a rear view of the first embodiment shown at a larger scale; and

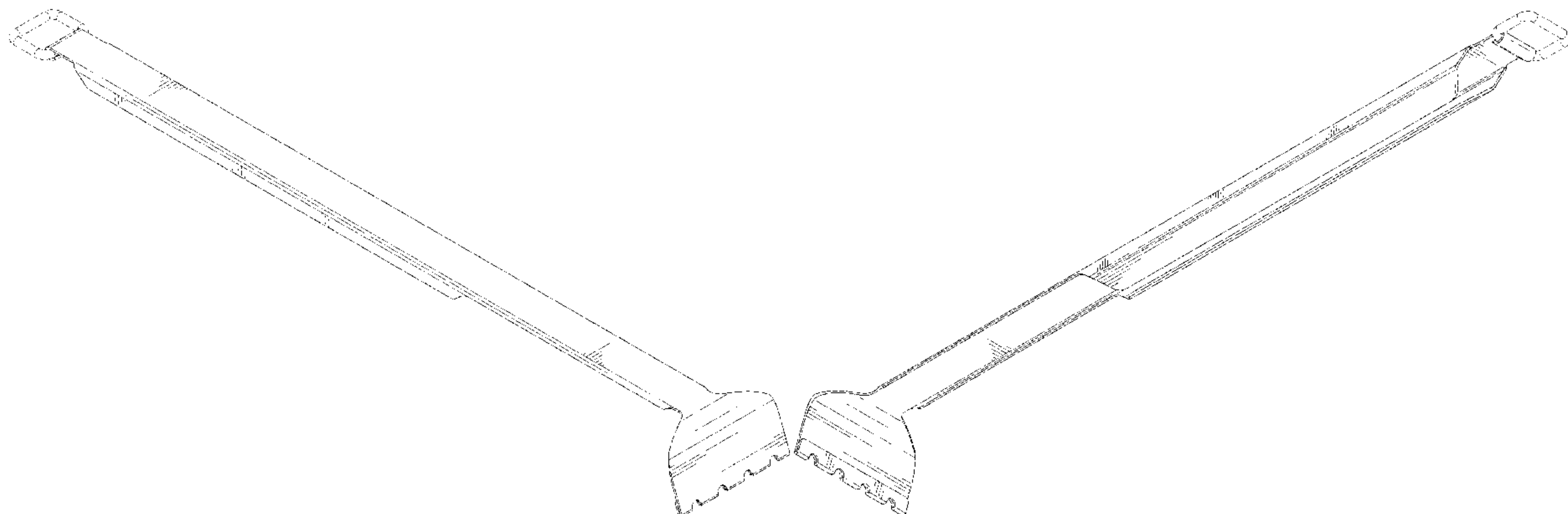
FIG. 8 is a rear perspective view of the first embodiment; and,

FIG. 9 is a bottom view of the cooking utensil showing our new design according to a second embodiment.

The broken lines shown in FIGS. 1-5 and 7-9 depict portions of the cooking utensil that form no part of the claimed design.

In FIG. 9, the second embodiment of the cooking utensil is shown with two (2) sets of break lines; neither the break lines nor the appearance of any portion of the second embodiment of the cooking utensil between each set of the break lines forms part of the claimed design.

1 Claim, 6 Drawing Sheets



(56)

References Cited

U.S. PATENT DOCUMENTS

D317,854 S * 7/1991 Pifalo D8/11
D367,707 S * 3/1996 Baker D24/146
D368,345 S * 3/1996 Fisher D32/49
D374,382 S * 10/1996 Smith D8/13
D389,024 S * 1/1998 Jensen, Jr. D8/10
D405,661 S * 2/1999 Erickson D7/688
D410,542 S * 6/1999 McCool D24/146
6,105,469 A * 8/2000 Gracy E04D 15/003
30/169
D439,119 S * 3/2001 Colonello D8/13
D447,238 S * 8/2001 Tang D24/147
D450,548 S * 11/2001 Veltri D7/688
D508,829 S * 8/2005 Bitter D7/688
D570,063 S * 5/2008 Manak D32/49
D581,754 S * 12/2008 Vodrey D8/13
D592,919 S * 5/2009 Oliwa D7/688
D602,219 S * 10/2009 Bailey D32/49
D622,467 S * 8/2010 Martin D32/40
D676,726 S * 2/2013 Davis D8/13
D717,139 S * 11/2014 Romero D8/13
D730,702 S * 6/2015 Bucks D7/650
D750,456 S * 3/2016 Cleary D8/14
D768,446 S * 10/2016 Soo D8/11
D787,899 S * 5/2017 Lannan D7/688
D799,913 S * 10/2017 Ryan A01B 1/227
D7/688
D829,443 S * 10/2018 Blouin D4/118
D836,413 S * 12/2018 Fragale D8/13
D866,896 S * 11/2019 Gee, II D32/46
D867,836 S * 11/2019 Juarez D8/11

* cited by examiner

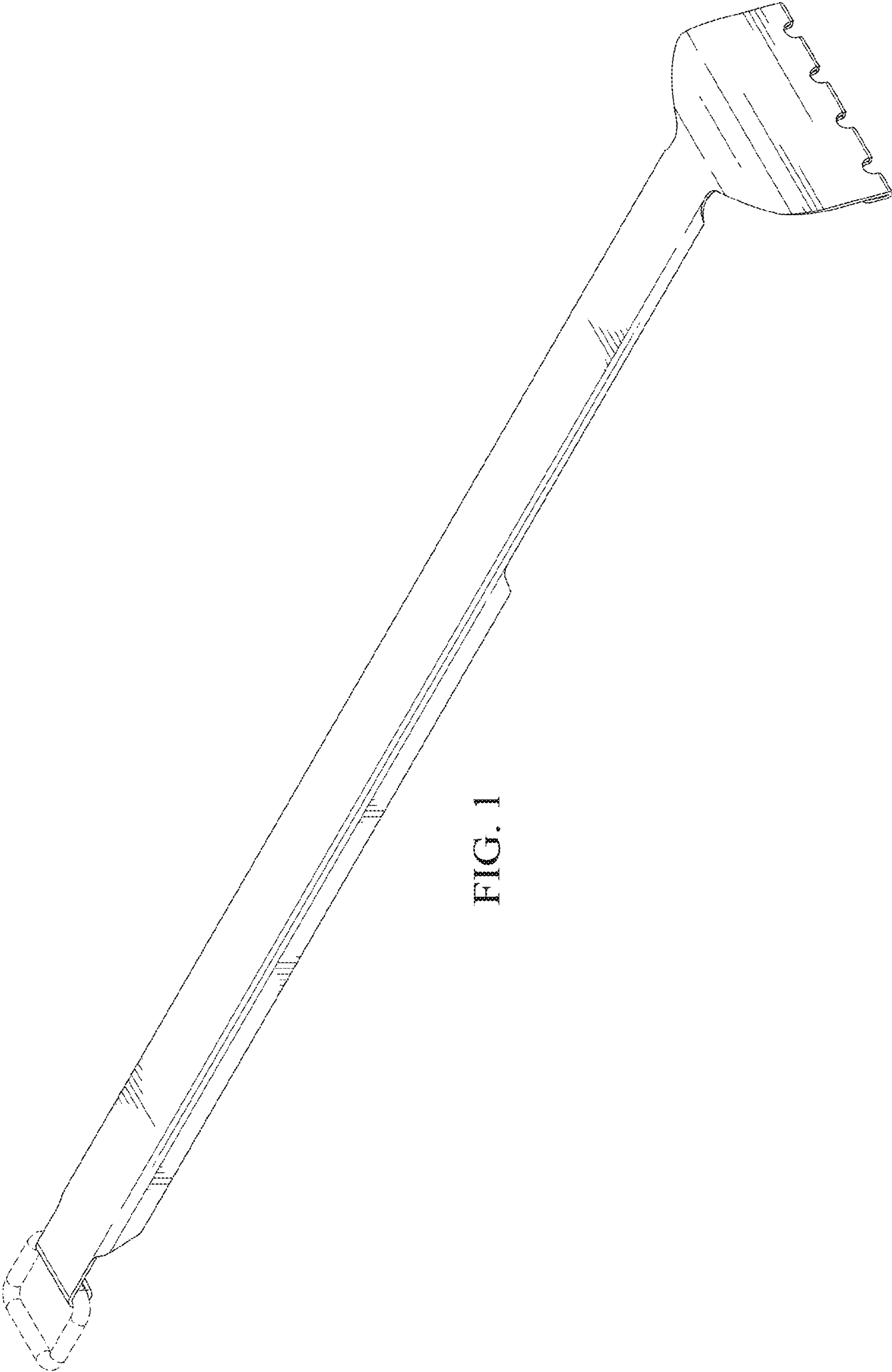


FIG. 1

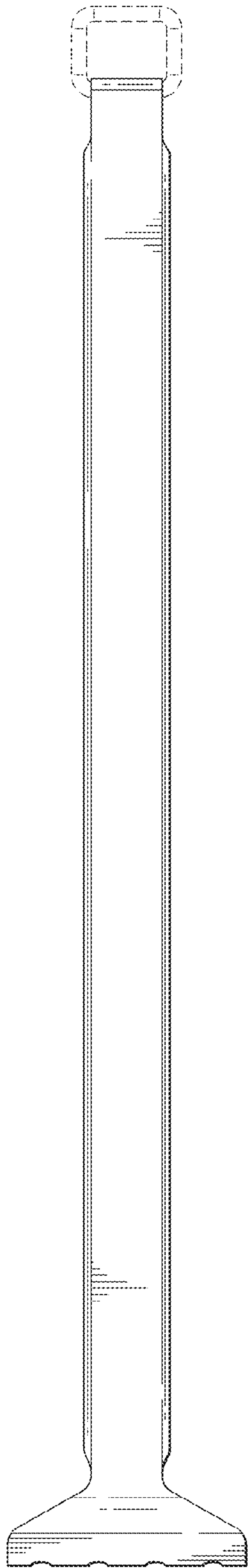


FIG. 2

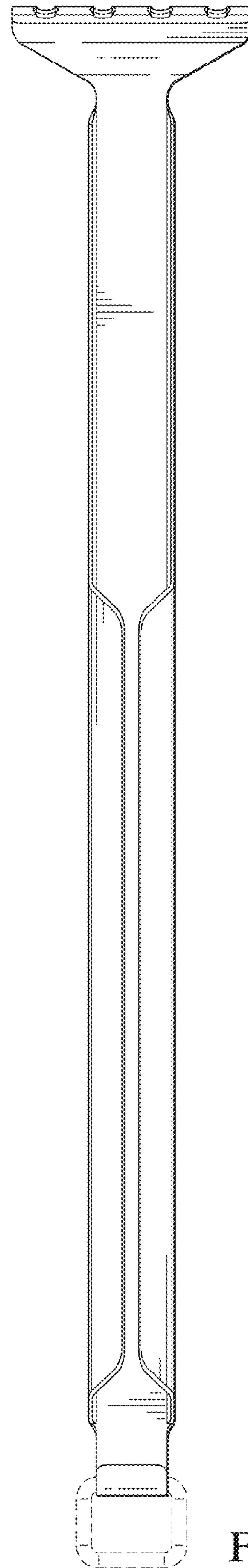


FIG. 3

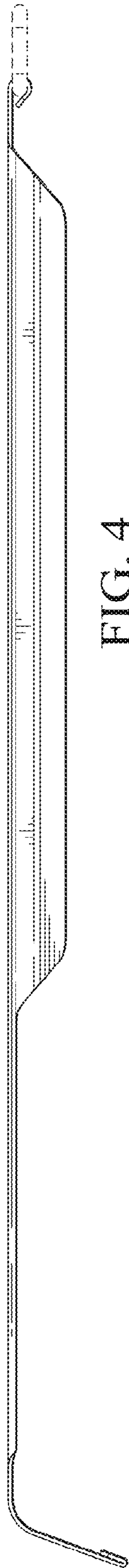


FIG. 4

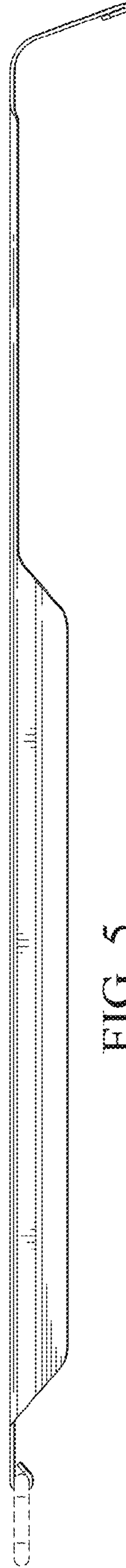


FIG. 5

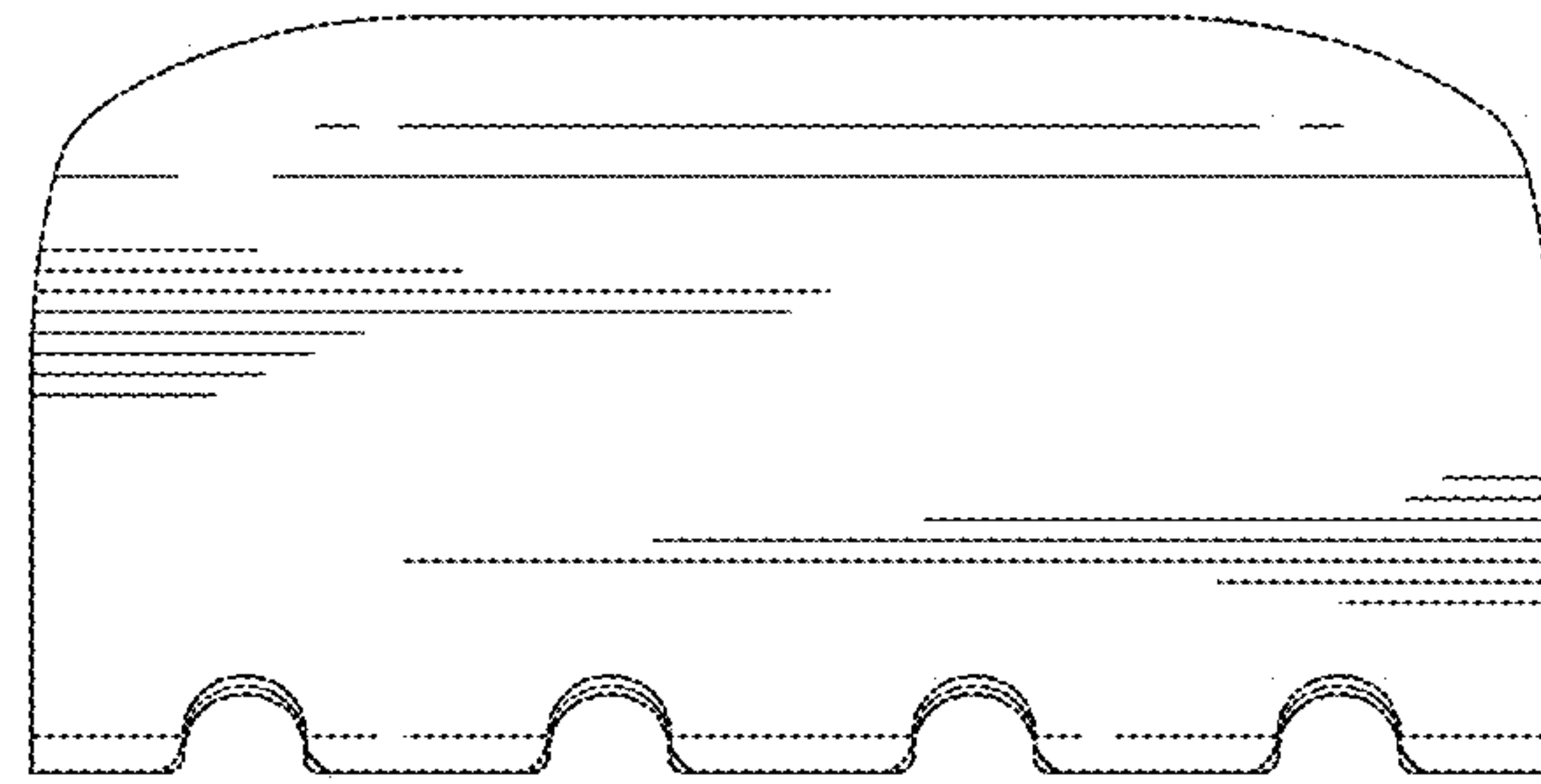


FIG. 6

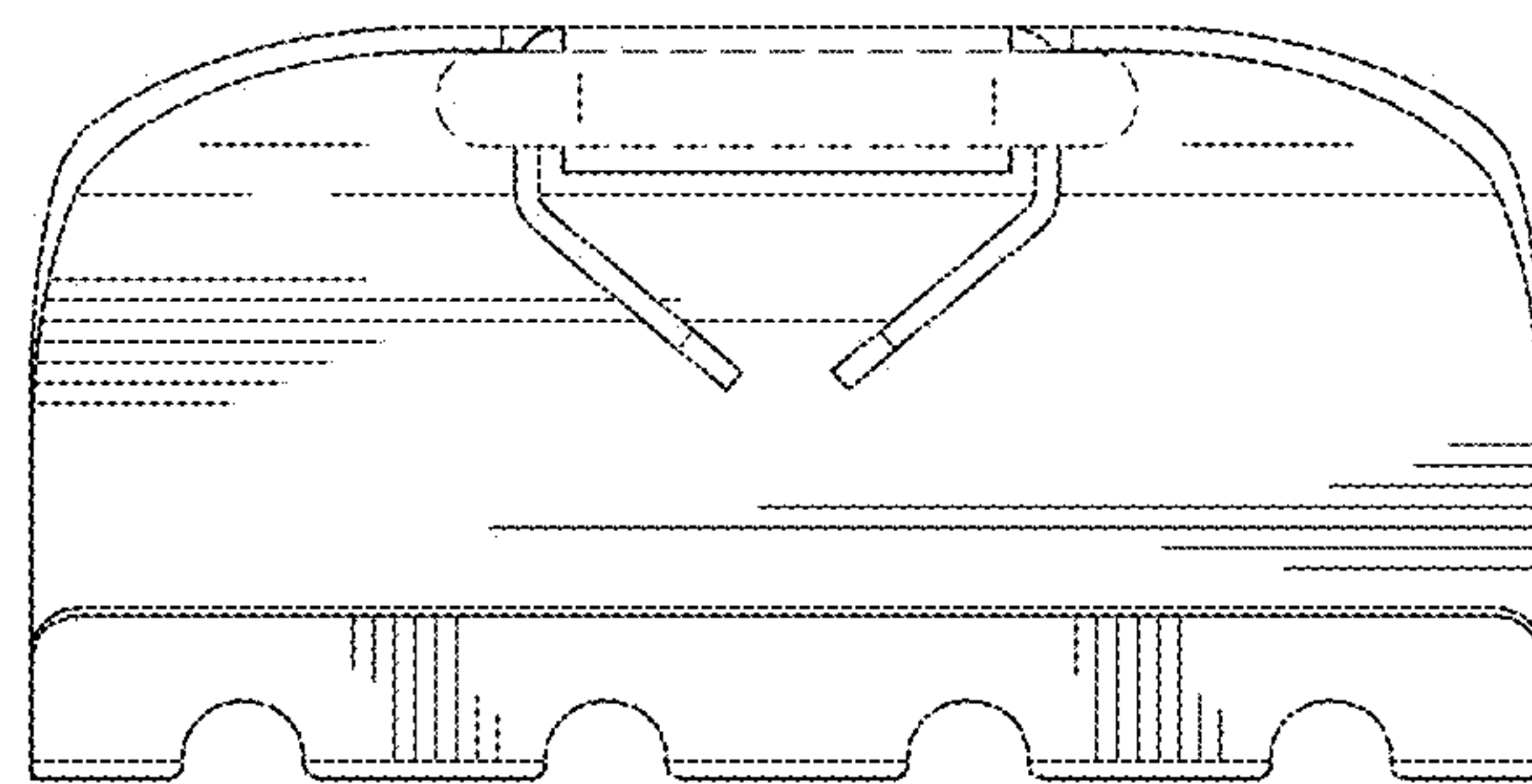


FIG. 7

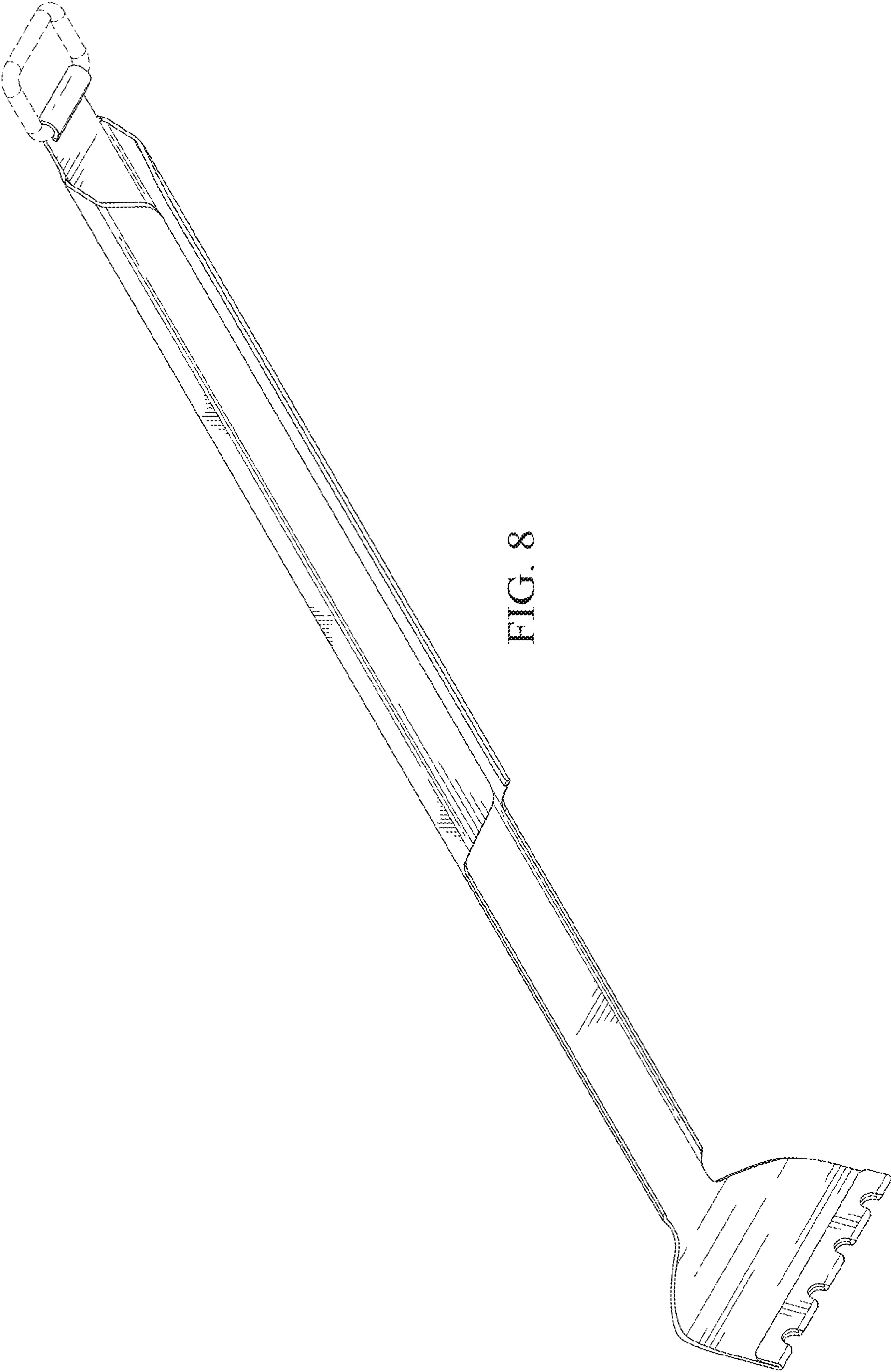


FIG. 8

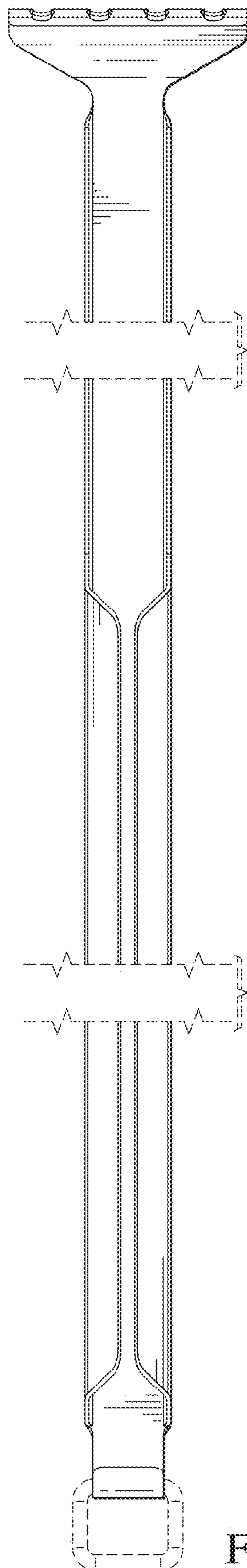


FIG. 9