



US00D952415S

(12) **United States Design Patent**  
**Nicolas**

(10) **Patent No.:** **US D952,415 S**  
(45) **Date of Patent:** **\*\* May 24, 2022**

(54) **SPICE GRINDER**

(71) Applicant: **Alvin Nicolas**, Vallejo, CA (US)

(72) Inventor: **Alvin Nicolas**, Vallejo, CA (US)

(\*\*) Term: **15 Years**

(21) Appl. No.: **29/712,242**

(22) Filed: **Nov. 6, 2019**

(51) **LOC (13) Cl.** ..... **07-04**

(52) **U.S. Cl.**

USPC ..... **D7/679; D7/372; D7/414**

(58) **Field of Classification Search**

USPC ..... **D7/372, 414, 667, 669, 678, 670, 679, D7/683; D27/194, 195**

(Continued)

(56) **References Cited**

**U.S. PATENT DOCUMENTS**

D284,252 S \* 6/1986 Lichtenvort ..... D7/597  
D309,240 S \* 7/1990 Griffin ..... D7/679

(Continued)

*Primary Examiner* — S. Bryan Reinholdt, Jr.

(74) *Attorney, Agent, or Firm* — Nwamu, P.C.

(57) **CLAIM**

The ornamental design for a spice grinder, as shown and described.

**DESCRIPTION**

FIG. 1 is a top perspective view of a spice grinder showing my new design.

FIG. 2 is a bottom perspective view thereof.

FIG. 3 is an exploded top perspective view of the spice grinder of FIG. 1 showing a top section, first middle section, second middle section, third middle section and a bottom section.

FIG. 4 is a front elevational view thereof.

FIG. 5 is a right side elevational view thereof.

FIG. 6 is a back elevational view of thereof.

FIG. 7 is a left side elevational view thereof.

FIG. 8 is a top elevational view thereof.

FIG. 9 is a bottom elevational view thereof.

FIG. 10 is a perspective view of the top section of FIG. 3.

FIG. 11 is a front elevational view thereof.

FIG. 12 is a right side elevational view of the top section thereof.

FIG. 13 is a back elevational view of the top section thereof.

FIG. 14 is a top elevational view of the top section thereof.

FIG. 15 is a bottom elevational view of the top section thereof.

FIG. 16 is a top perspective view of the first middle section of FIG. 3.

FIG. 17 is a top elevational view of the first middle section thereof.

FIG. 18 is a side elevational view of the first middle section thereof.

FIG. 19 is a bottom elevational view of the first middle section thereof.

FIG. 20 is a top perspective view of the second middle section of FIG. 3.

FIG. 21 is a top elevational view of the second middle section thereof.

FIG. 22 is a side elevational view of the second middle section thereof.

FIG. 23 is a bottom elevational view of the second middle section thereof.

FIG. 24 is a top perspective view of the third middle section of FIG. 3.

FIG. 25 is a top elevational view of the third middle section thereof.

FIG. 26 is a side elevational view of the third middle section thereof.

FIG. 27 is a bottom elevational view of the third middle section thereof.

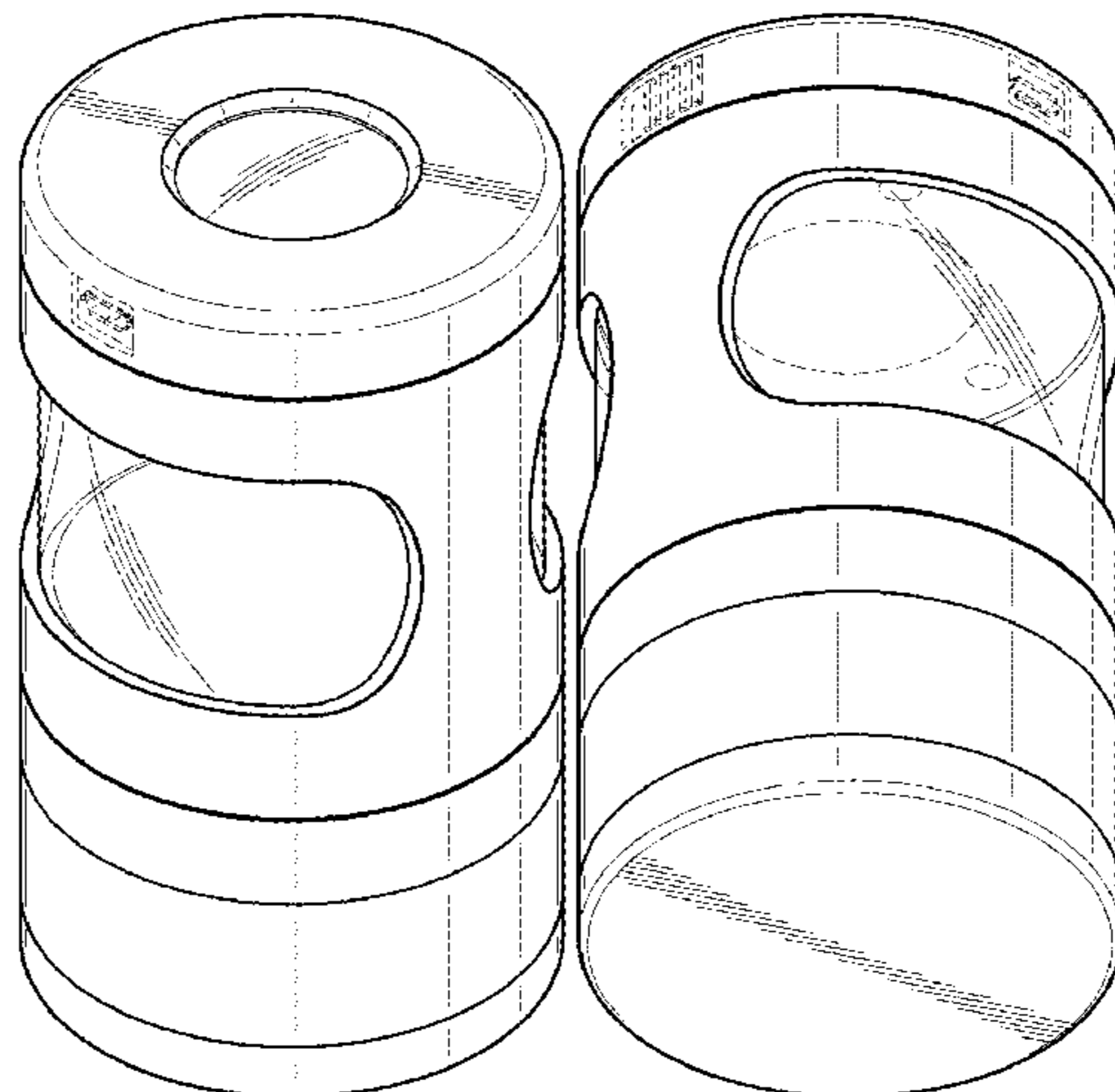
FIG. 28 is a top perspective view of the bottom section of FIG. 3.

FIG. 29 is a top elevational view thereof.

FIG. 30 is a side elevational view thereof; and,

FIG. 31 is a bottom elevational view thereof.

(Continued)



The dashed broken lines depict portions of the spice grinder that form no part of the claimed design.

The oblique shade lines in the drawings depict a surface that is transparent.

**1 Claim, 12 Drawing Sheets**

**(58) Field of Classification Search**

CPC ..... A47J 42/00; A47J 42/04; A47J 42/14

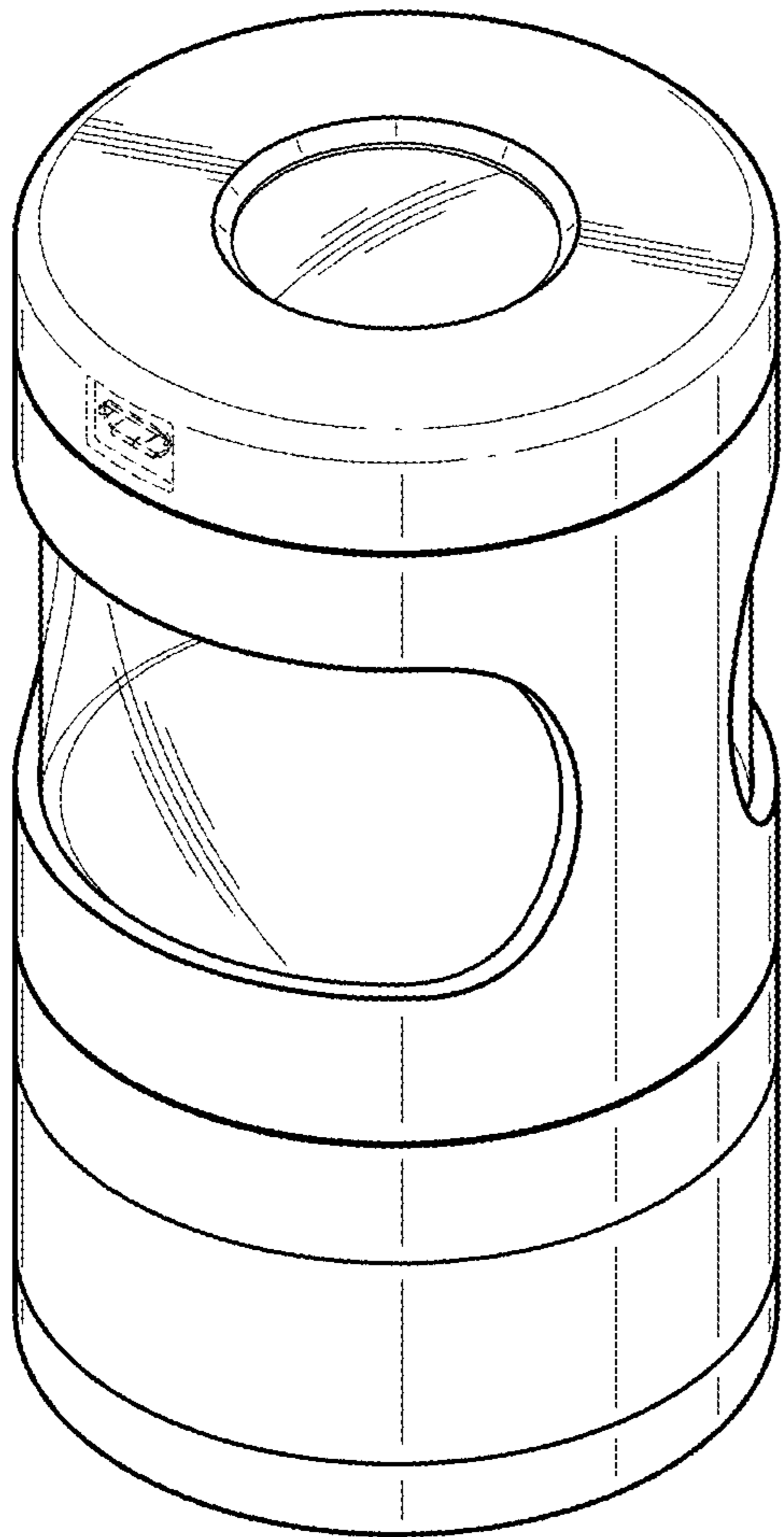
See application file for complete search history.

**(56) References Cited**

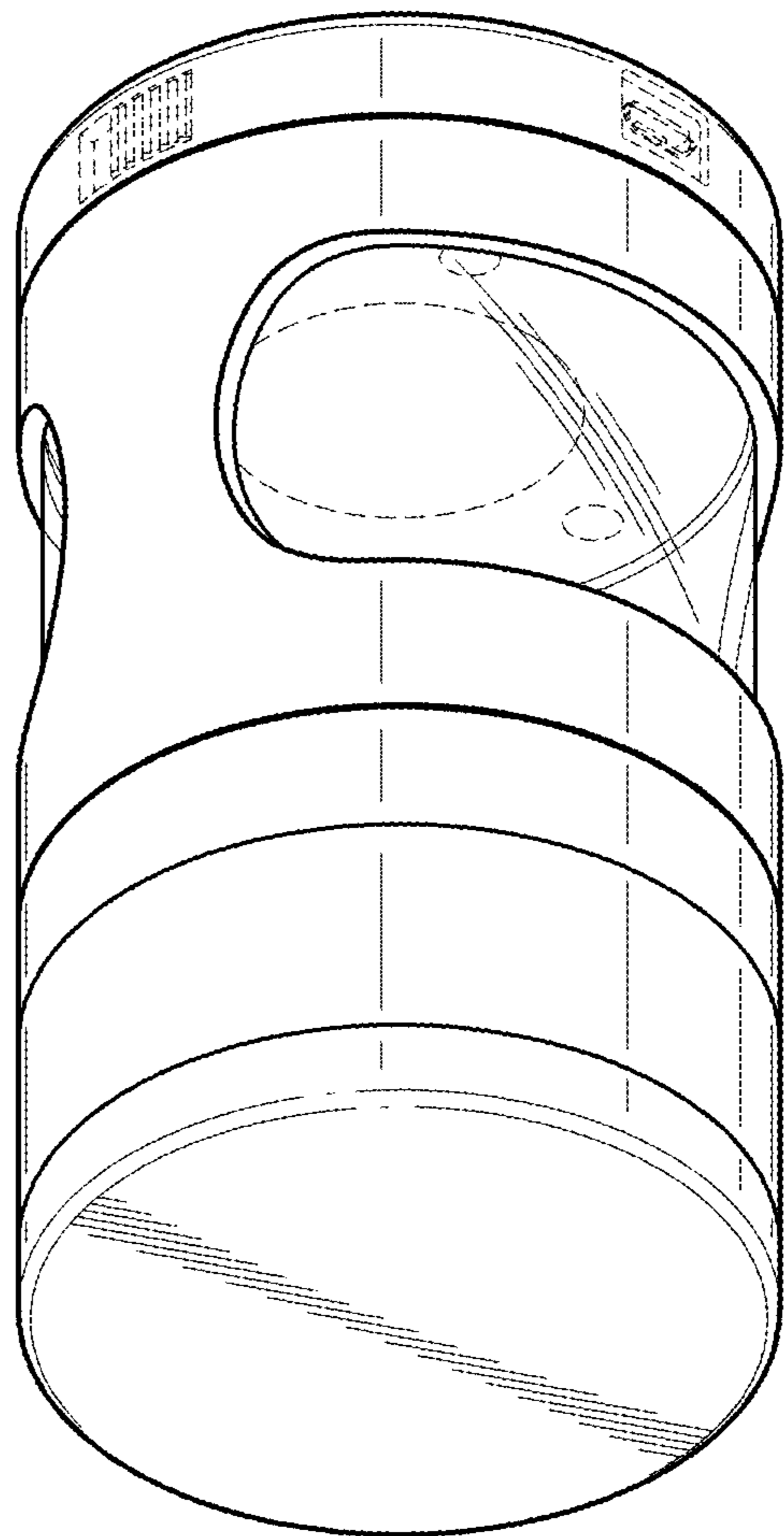
U.S. PATENT DOCUMENTS

5,007,592	A *	4/1991	Poncy .....	A47J 42/04 241/169.1
D341,063	S *	11/1993	Husted .....	D7/679
D346,526	S *	5/1994	Bannigan .....	D7/323
D386,644	S *	11/1997	Orrico .....	D7/300
D779,293	S *	2/2017	Cranston .....	D7/679
D817,104	S *	5/2018	Ignatoff .....	D7/589
D827,394	S *	9/2018	Greiner .....	D7/678
D929,863	S *	9/2021	Demers .....	D9/504
2012/0097774	A1 *	4/2012	Hainbach .....	A47J 42/14 241/101.2
2016/0100715	A1 *	4/2016	Staiano .....	A47J 42/34 241/79
2019/0000140	A1 *	1/2019	Manning .....	A24F 19/10
2020/0061629	A1 *	2/2020	Breneman .....	A47J 42/34
2020/0367695	A1 *	11/2020	Staiano .....	A47J 42/40
2020/0390285	A1 *	12/2020	Galaviz .....	A47J 42/34

\* cited by examiner

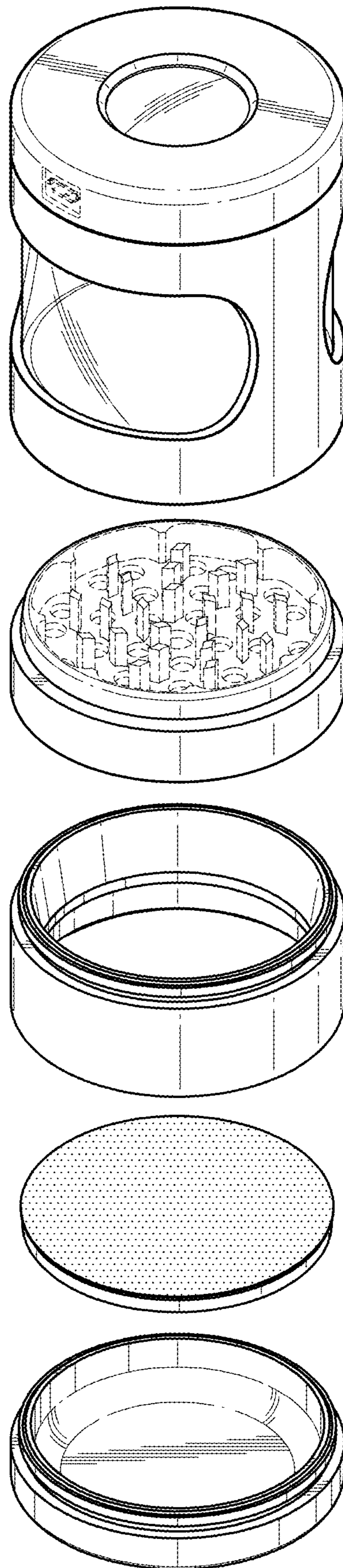


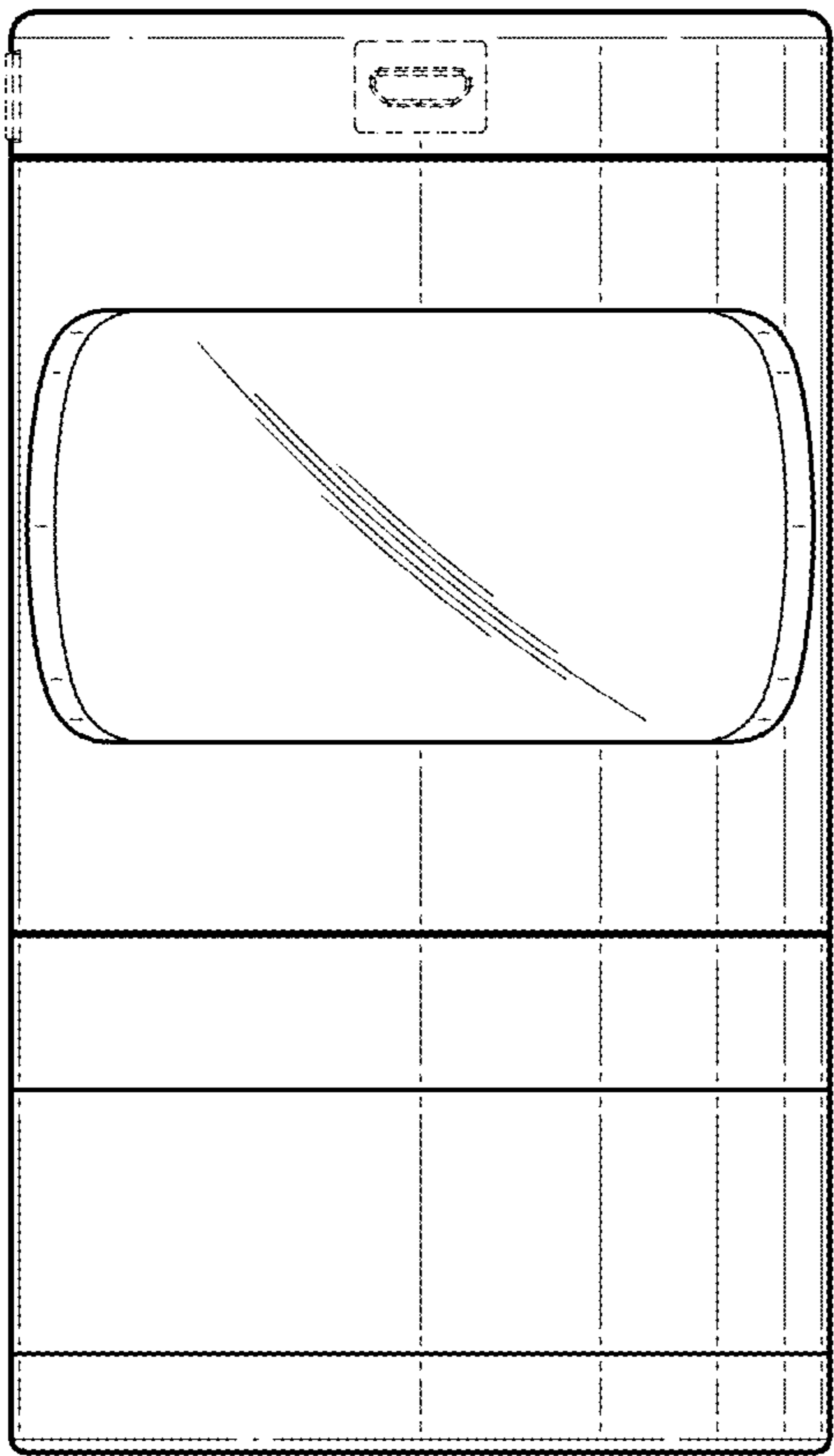
**FIG. 1**



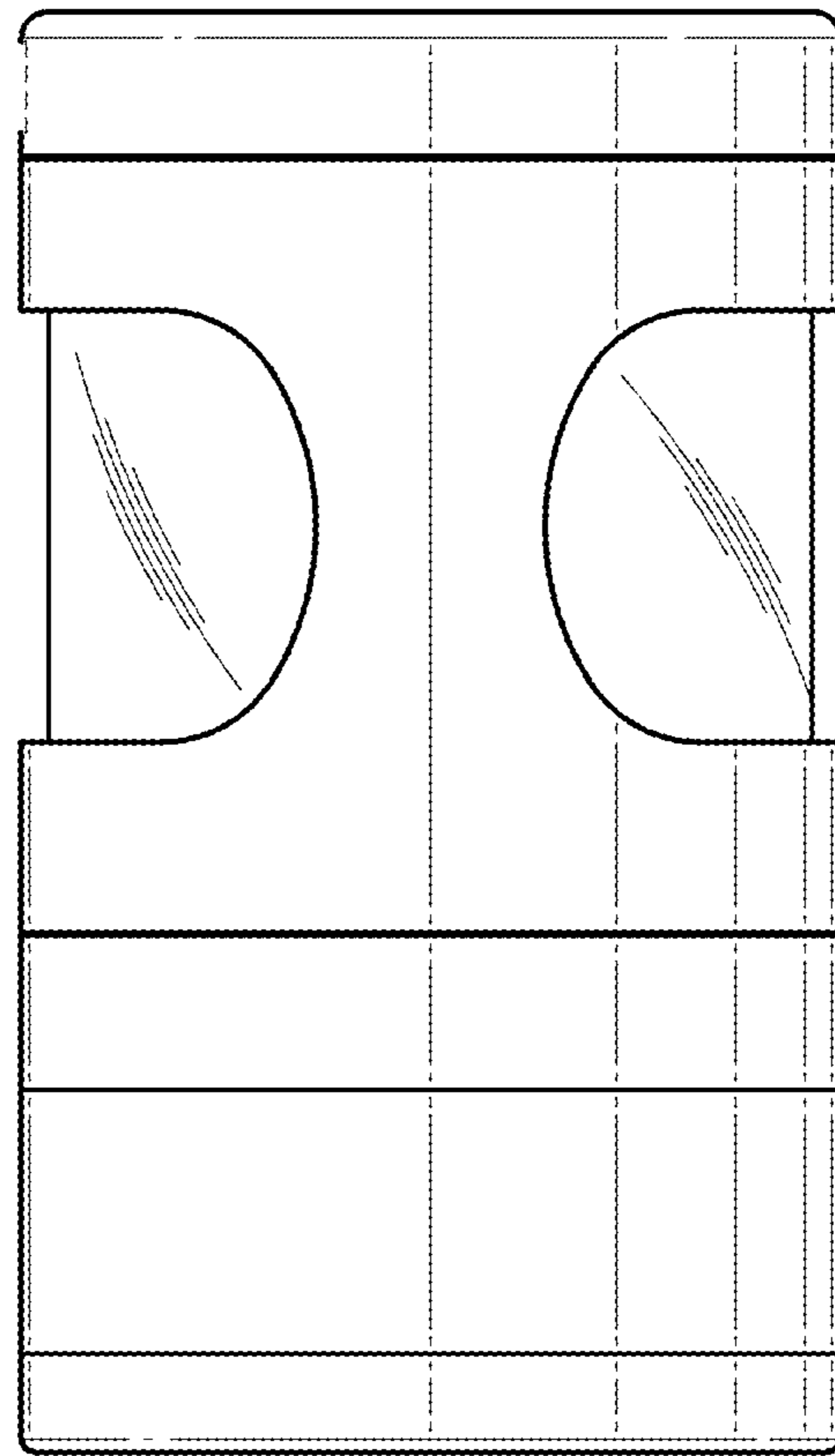
**FIG. 2**

**FIG. 3**

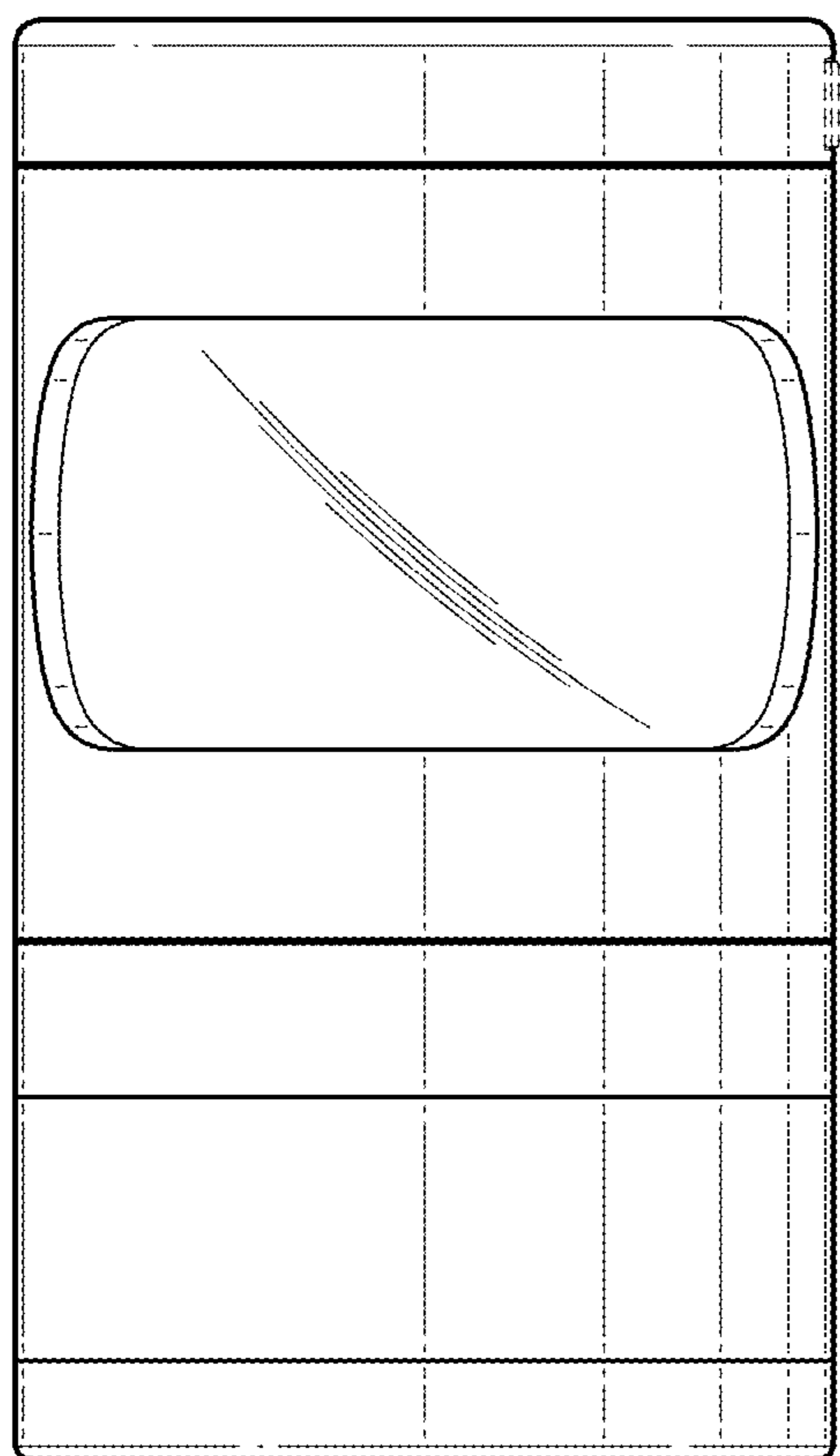




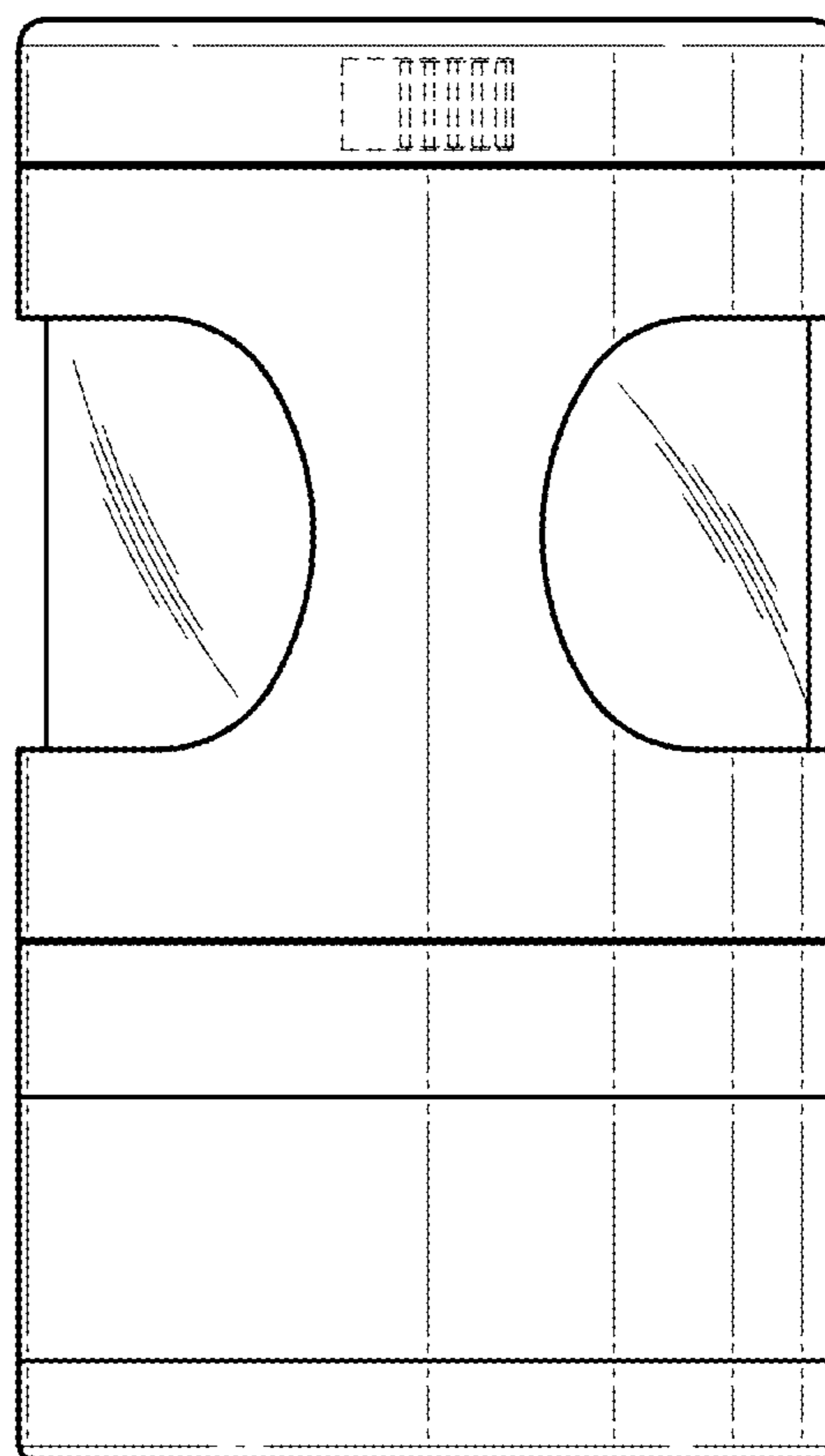
**FIG. 4**



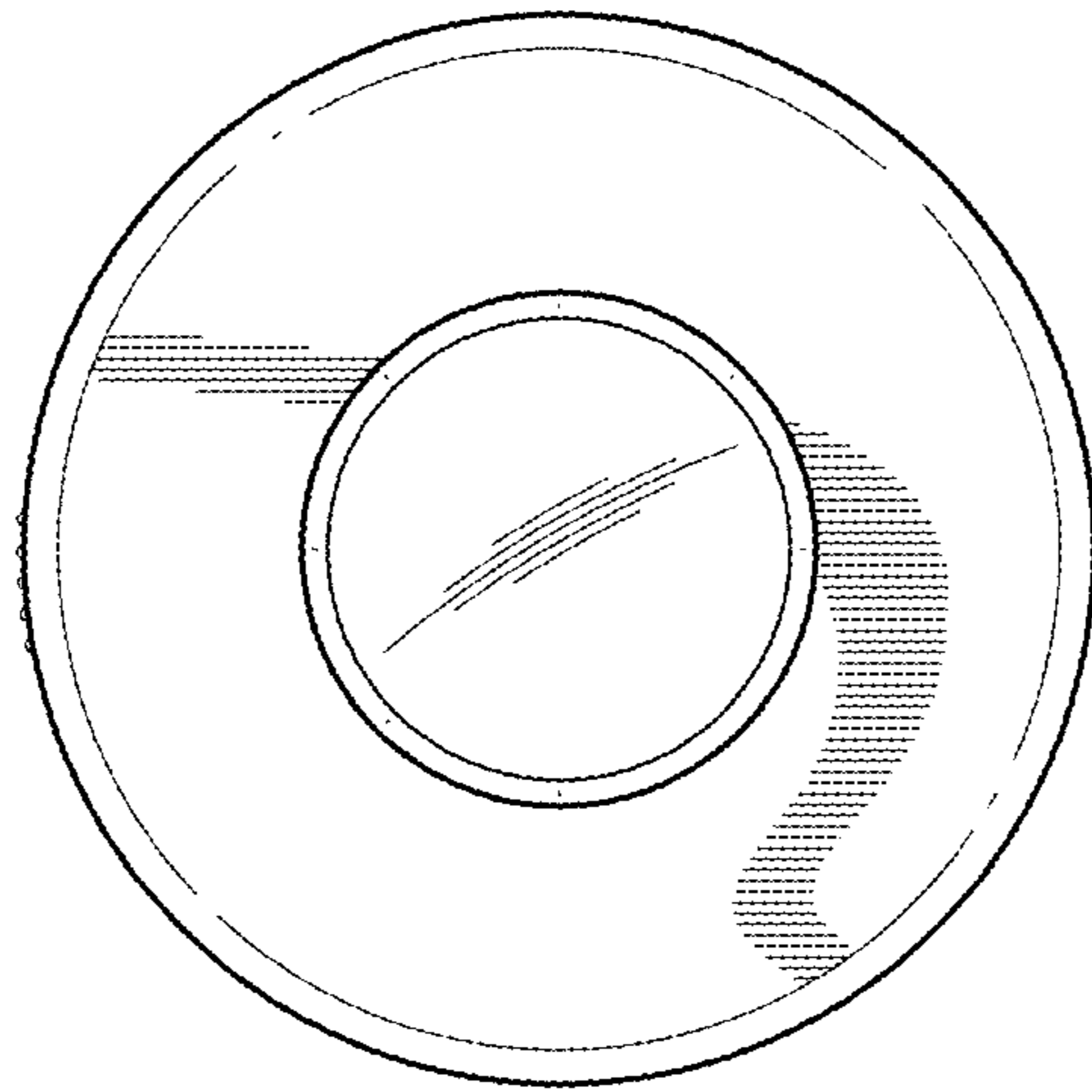
**FIG. 5**



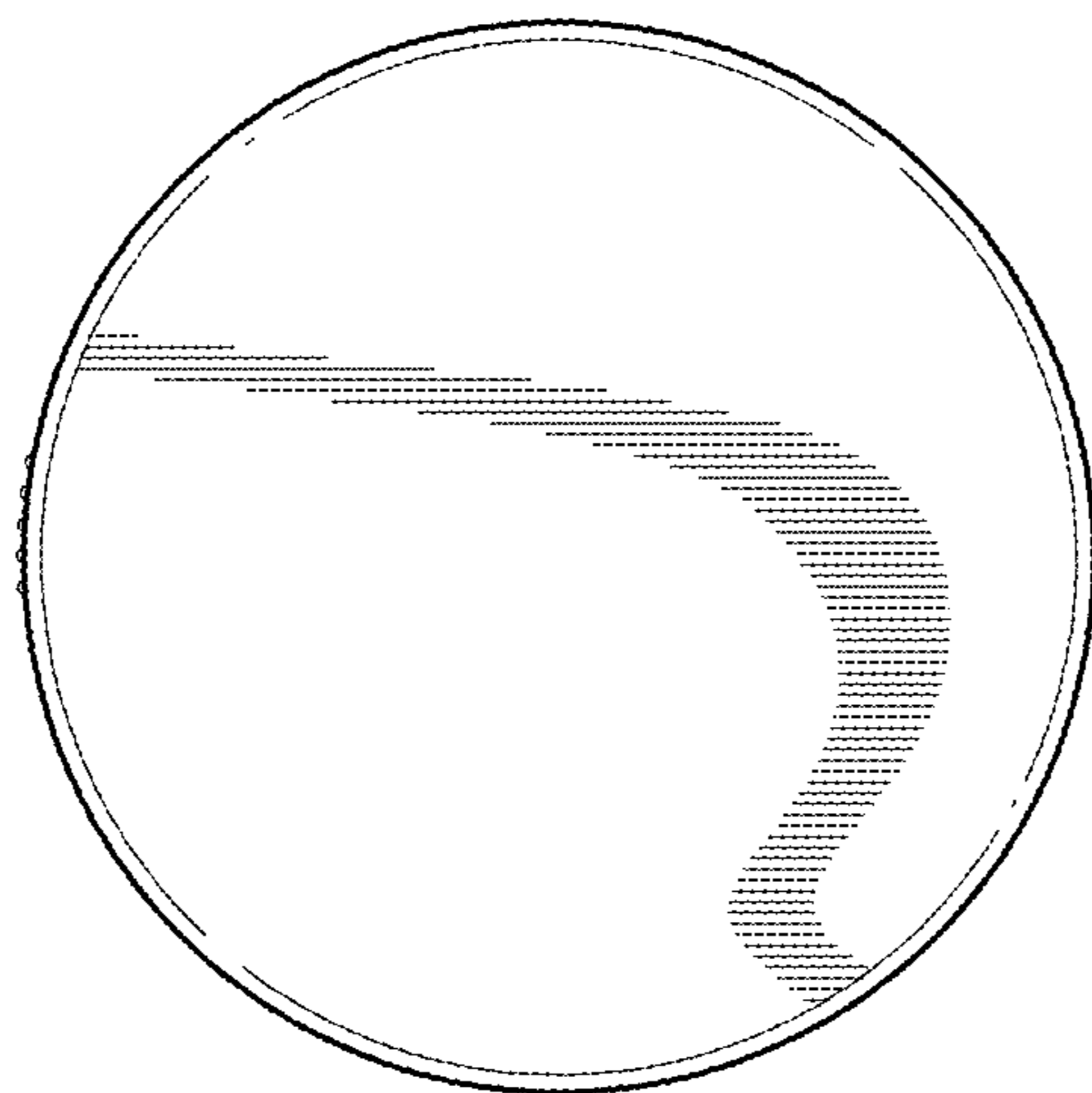
**FIG. 6**



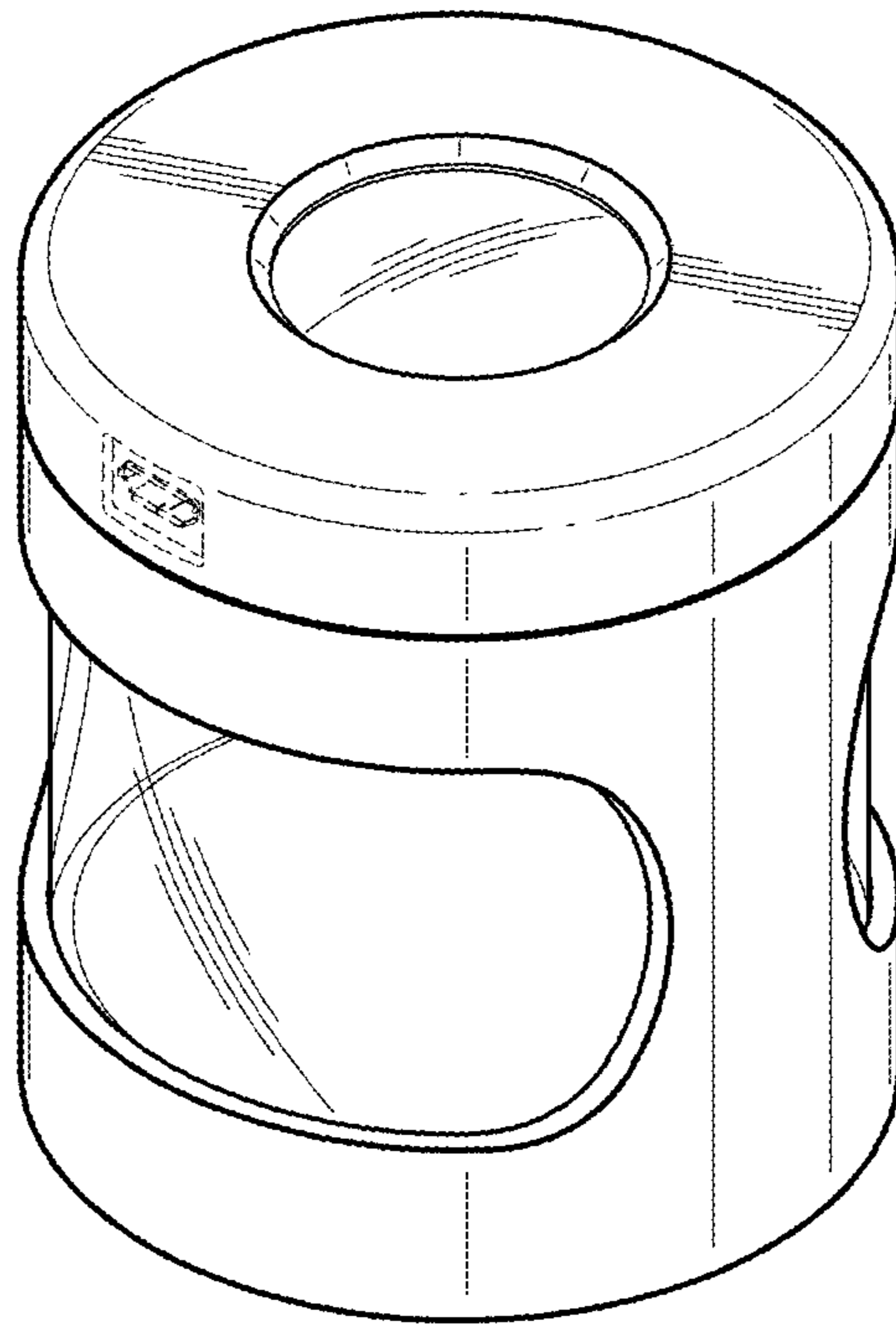
**FIG. 7**



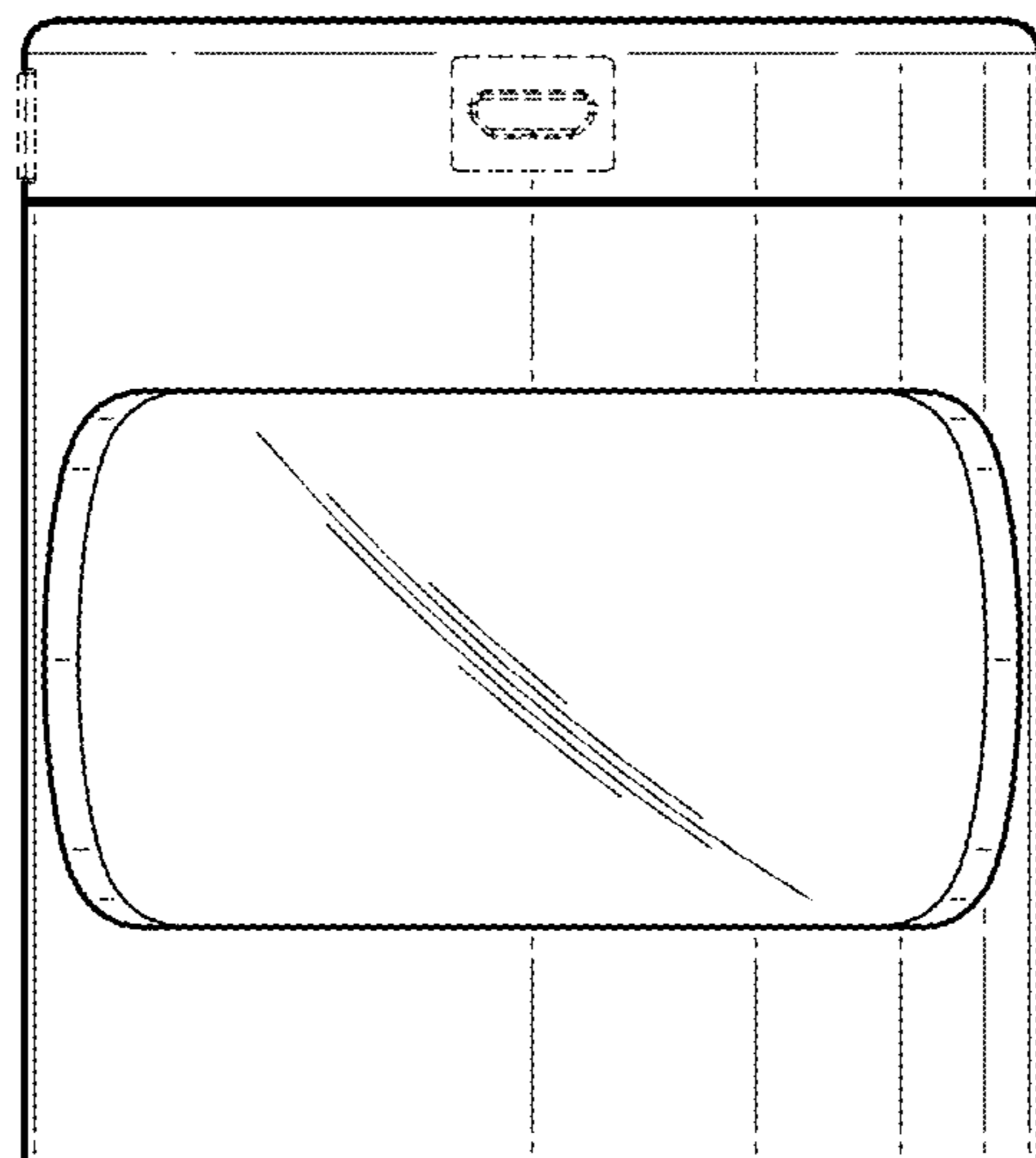
**FIG. 8**



**FIG. 9**

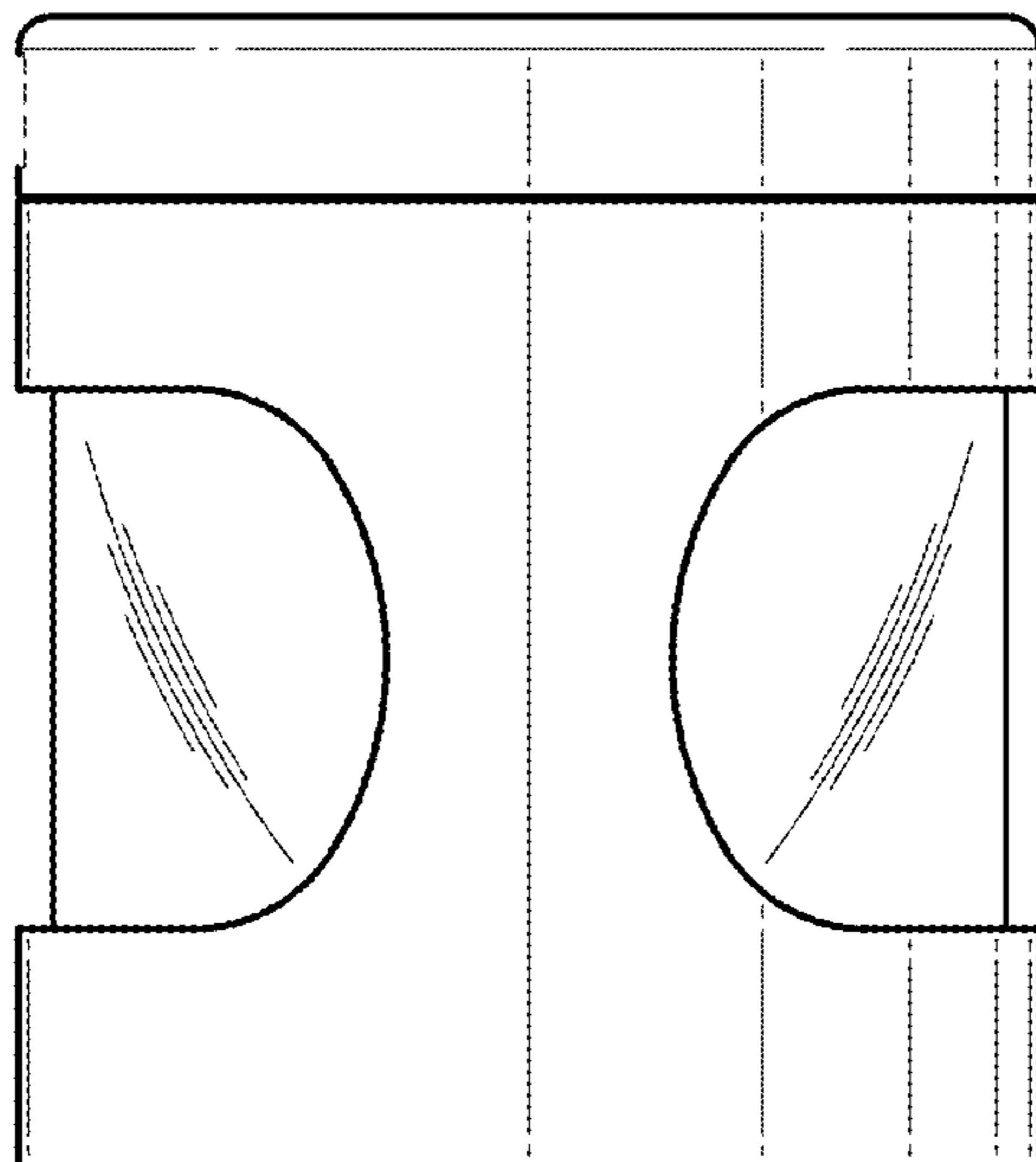


**FIG. 10**

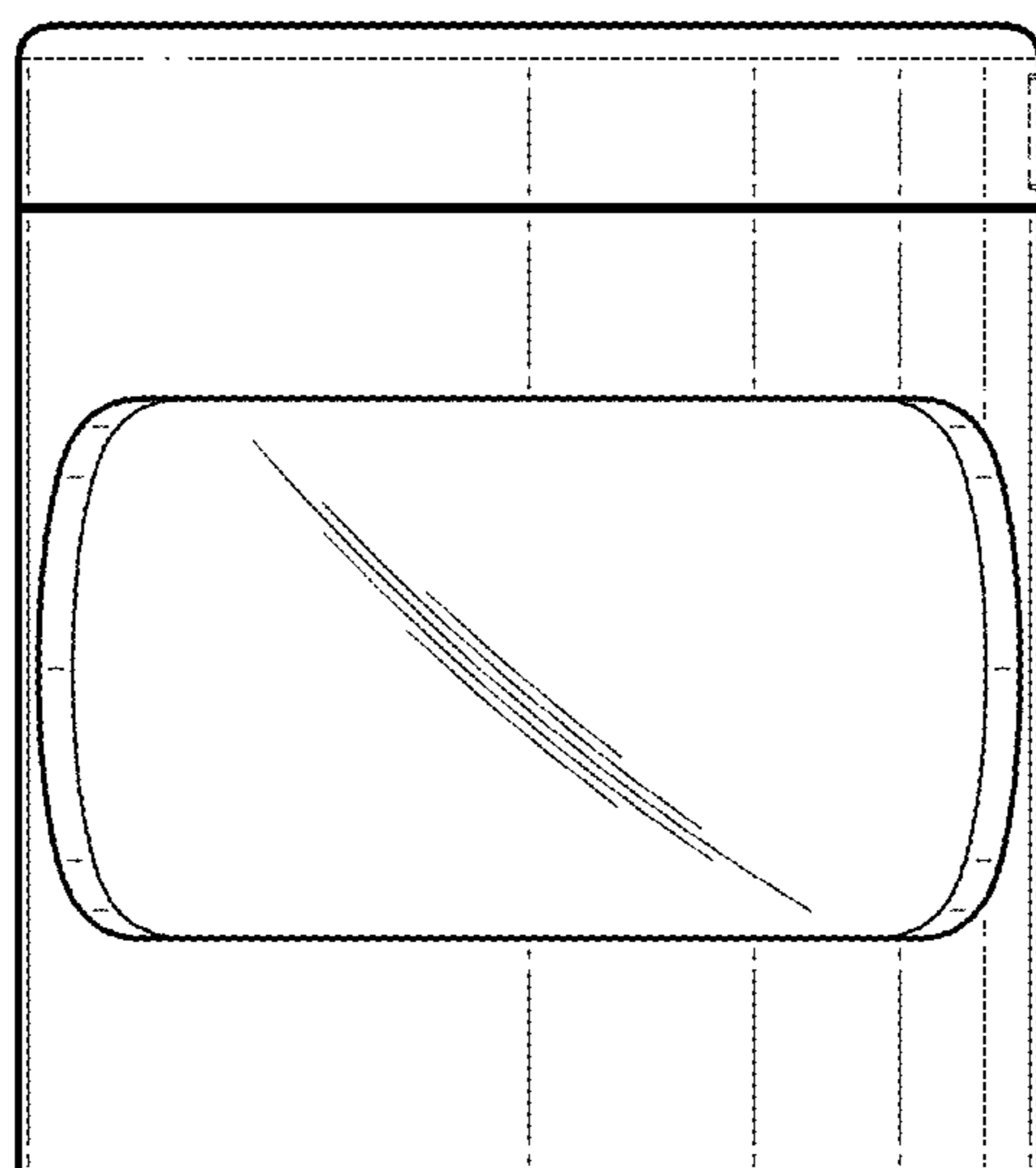


**FIG. 11**

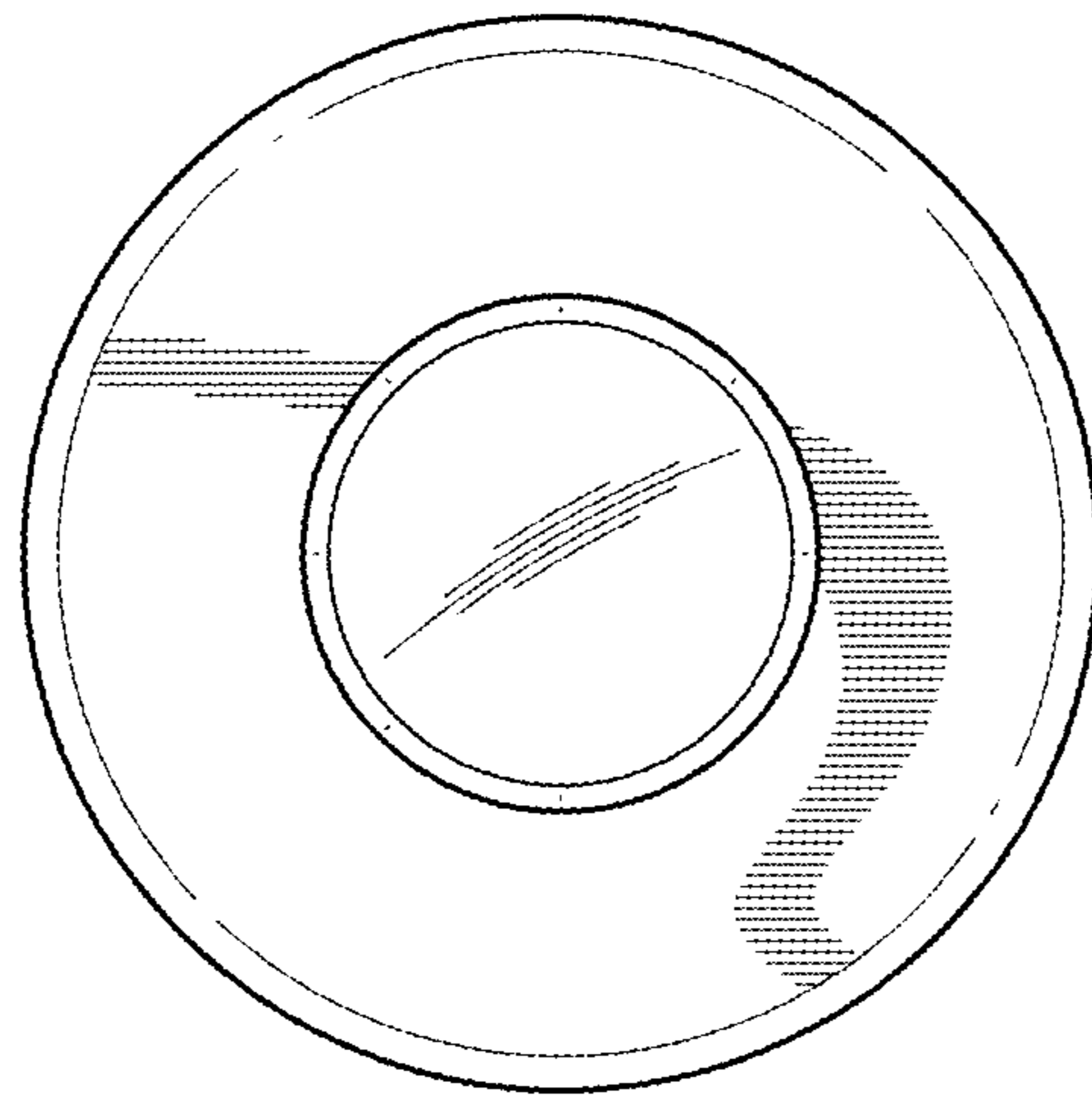




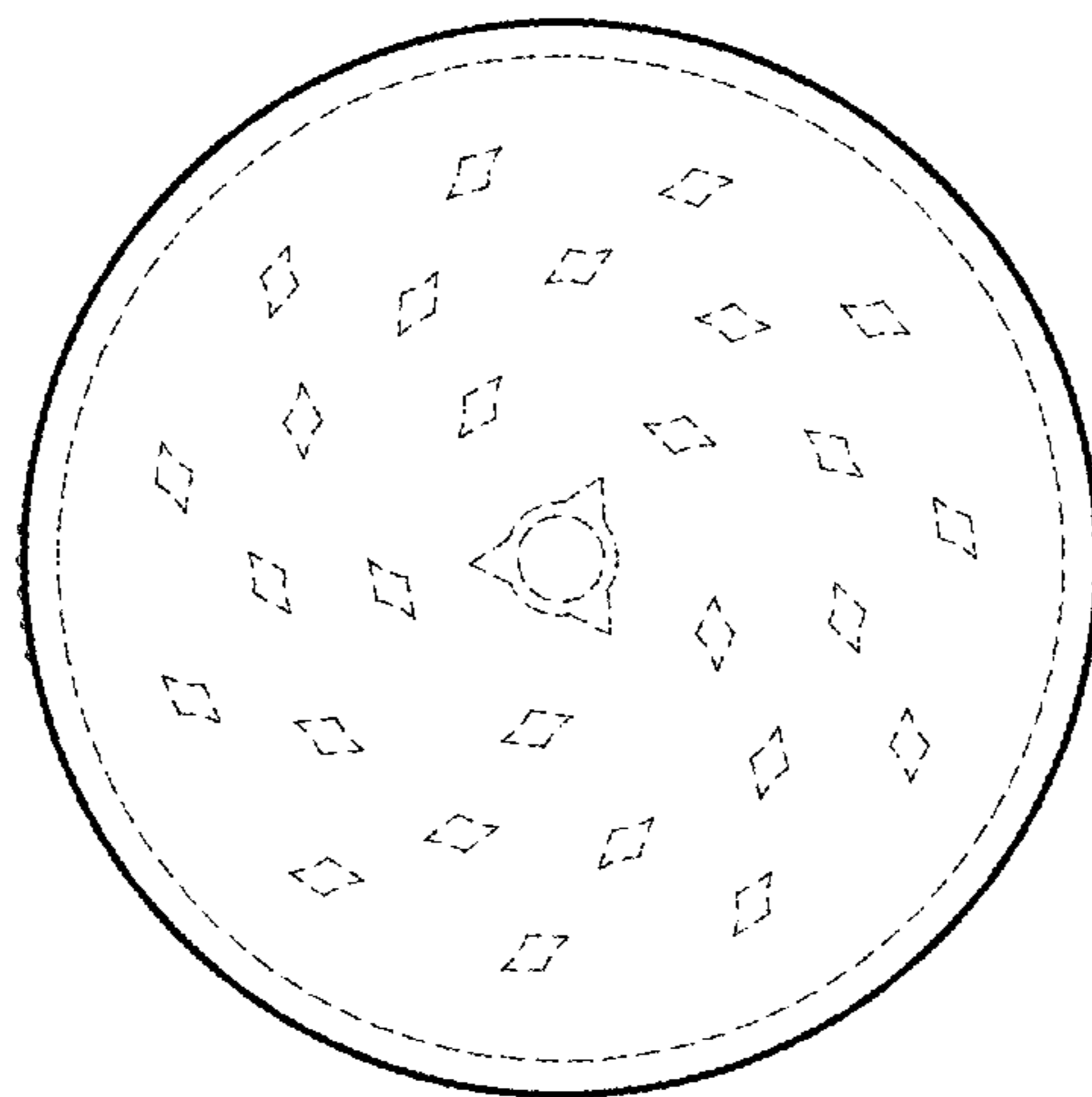
**FIG. 12**



**FIG. 13**

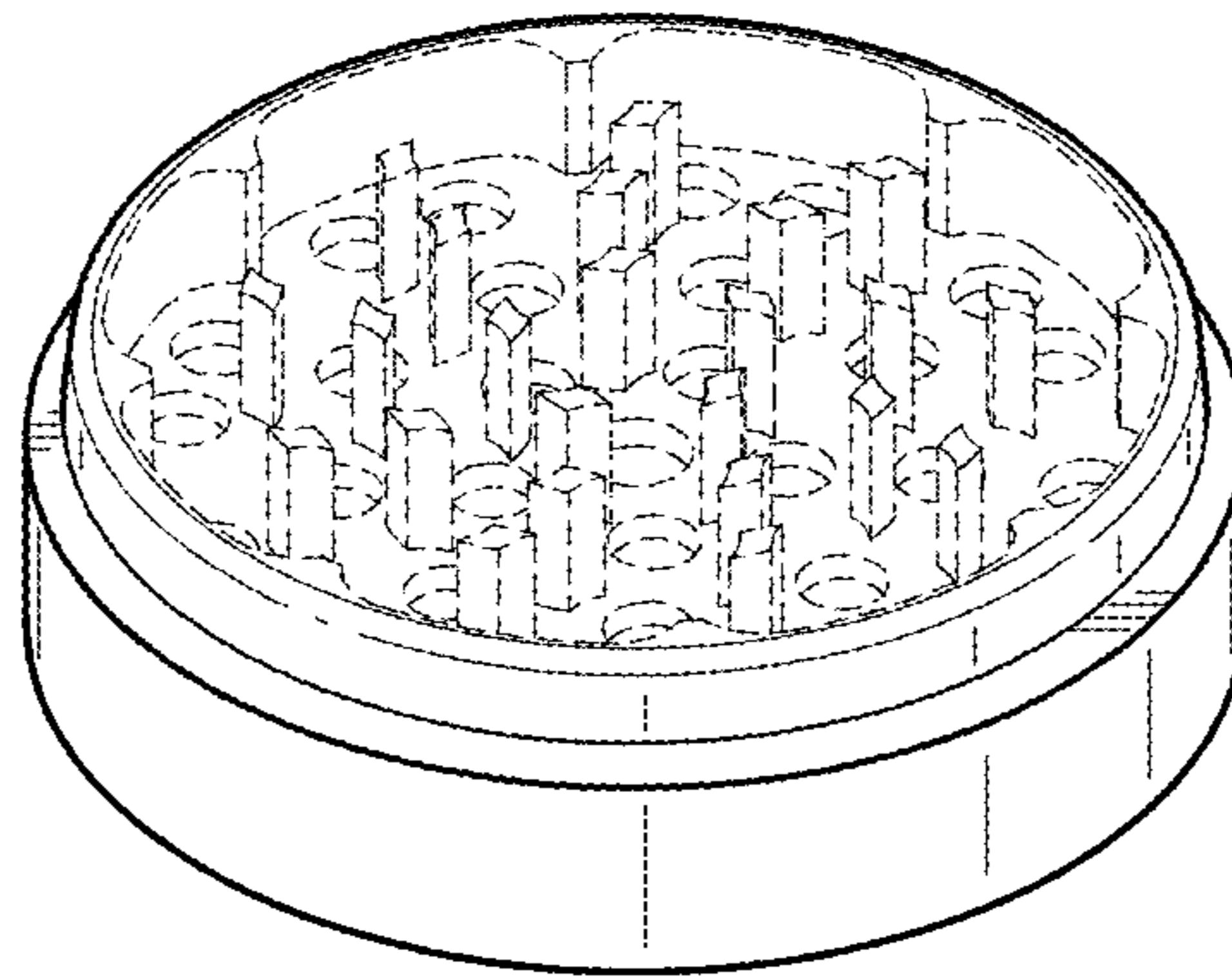


**FIG. 14**

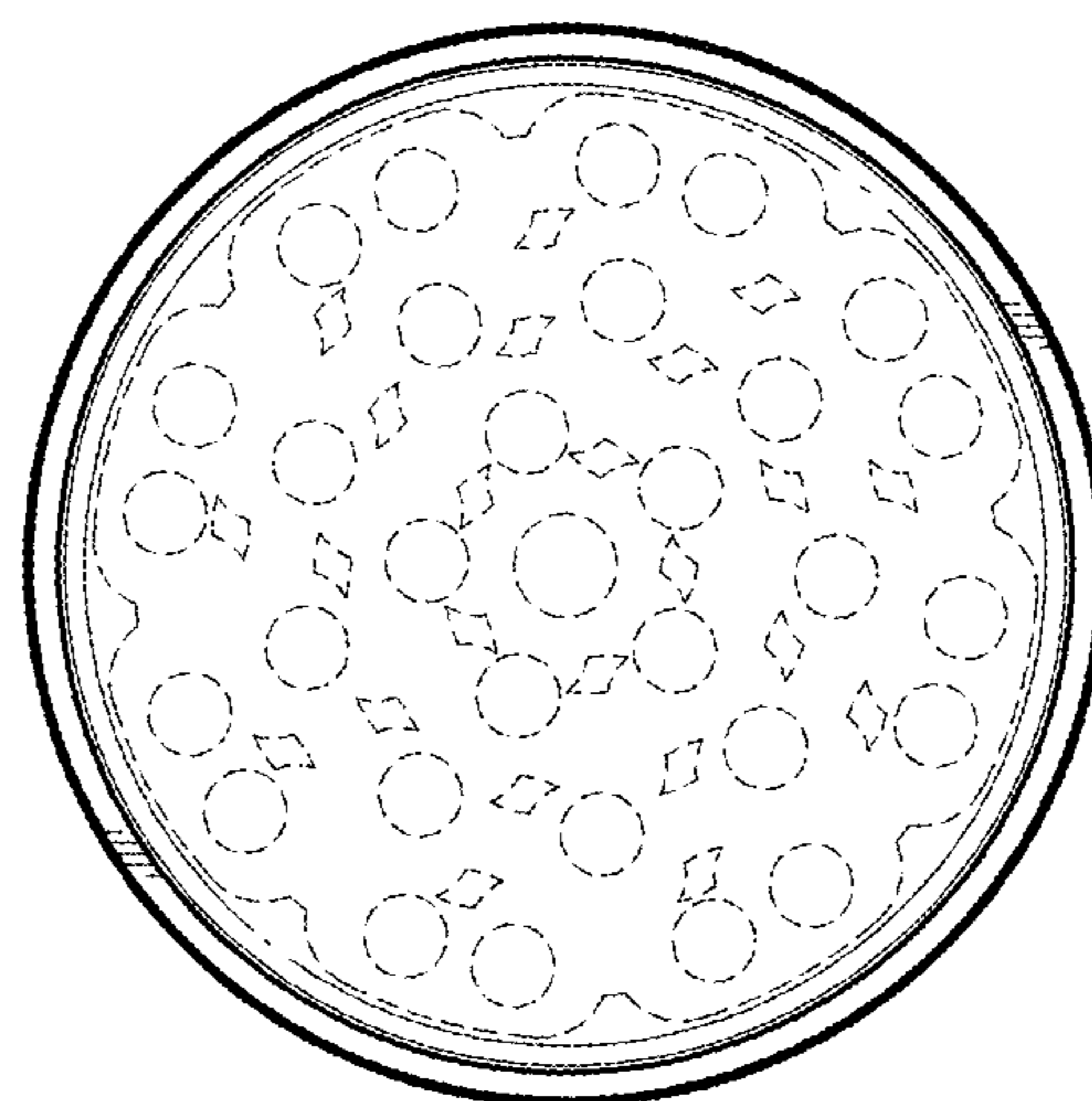


**FIG. 15**

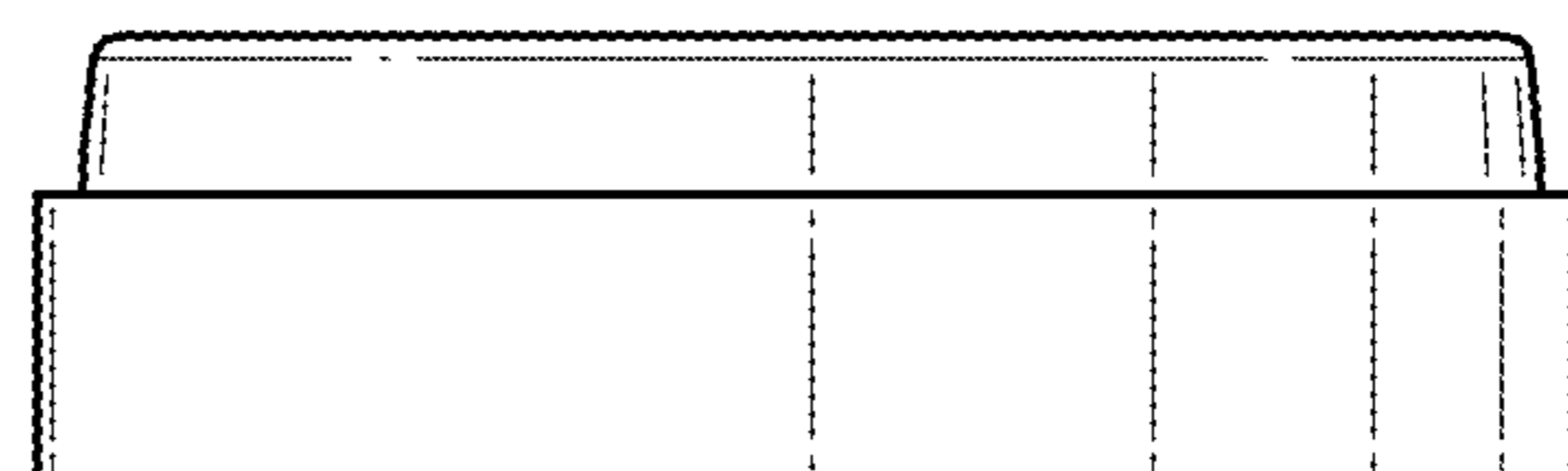
**FIG. 16**



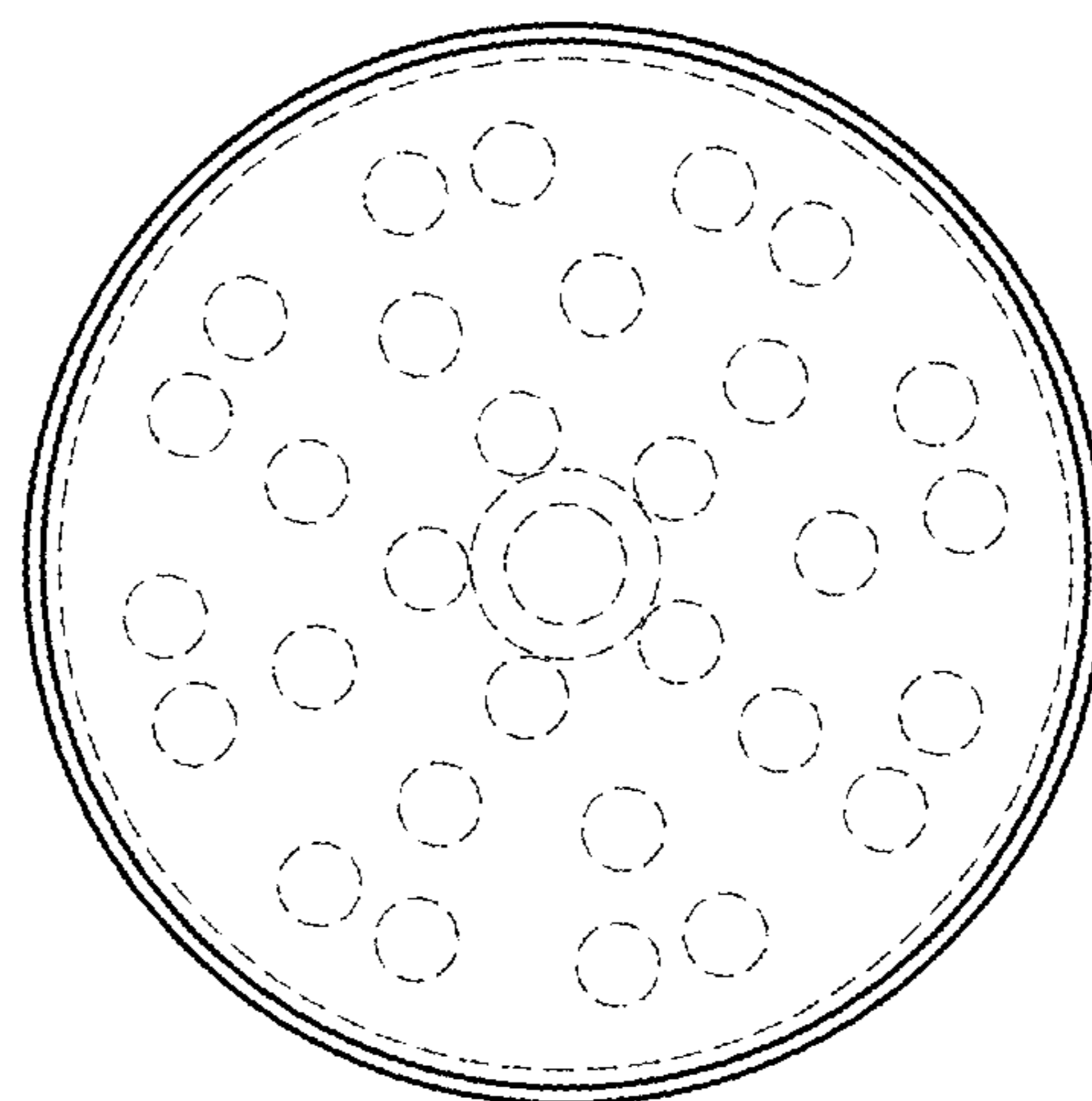
**FIG. 17**



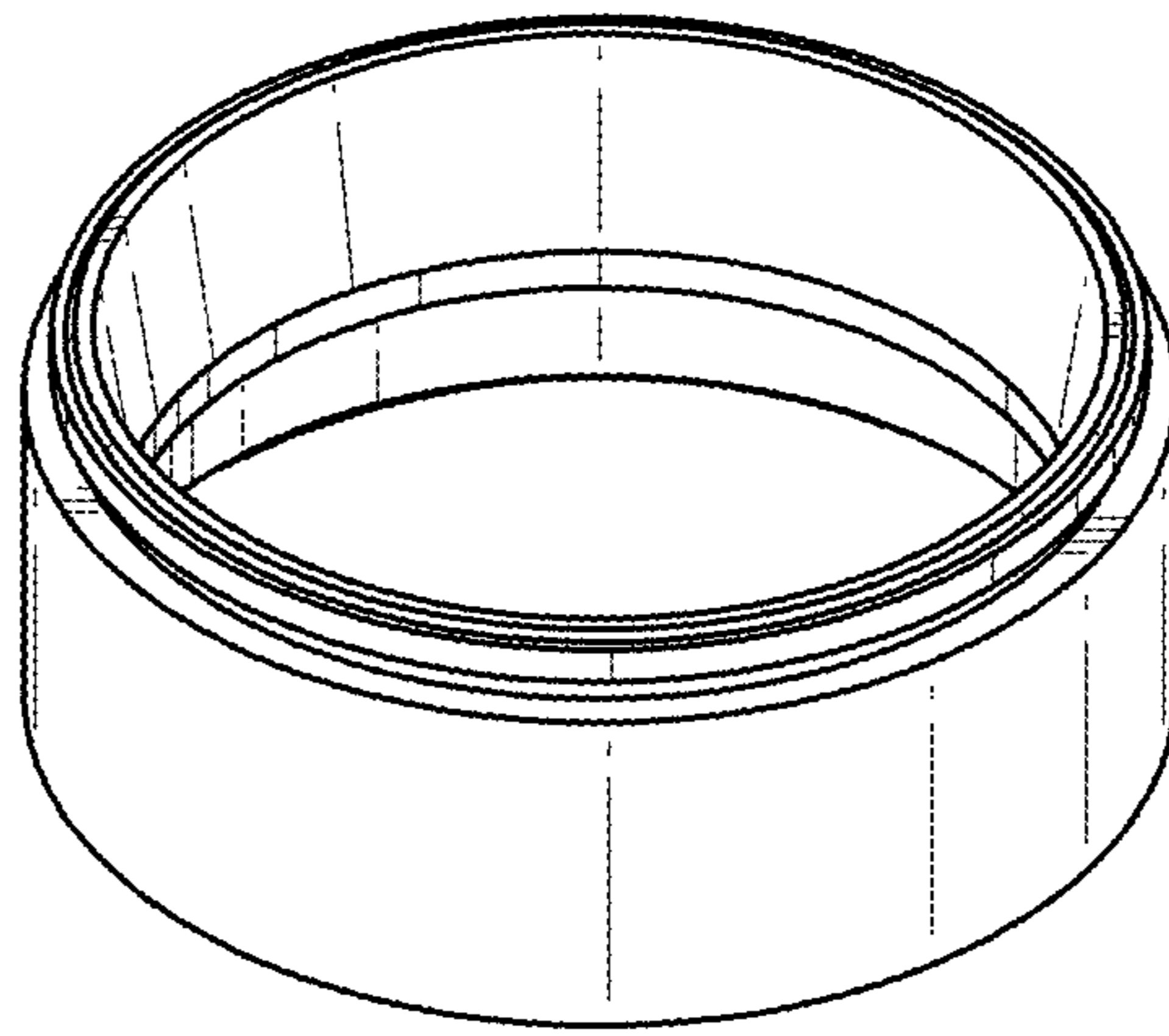
**FIG. 18**



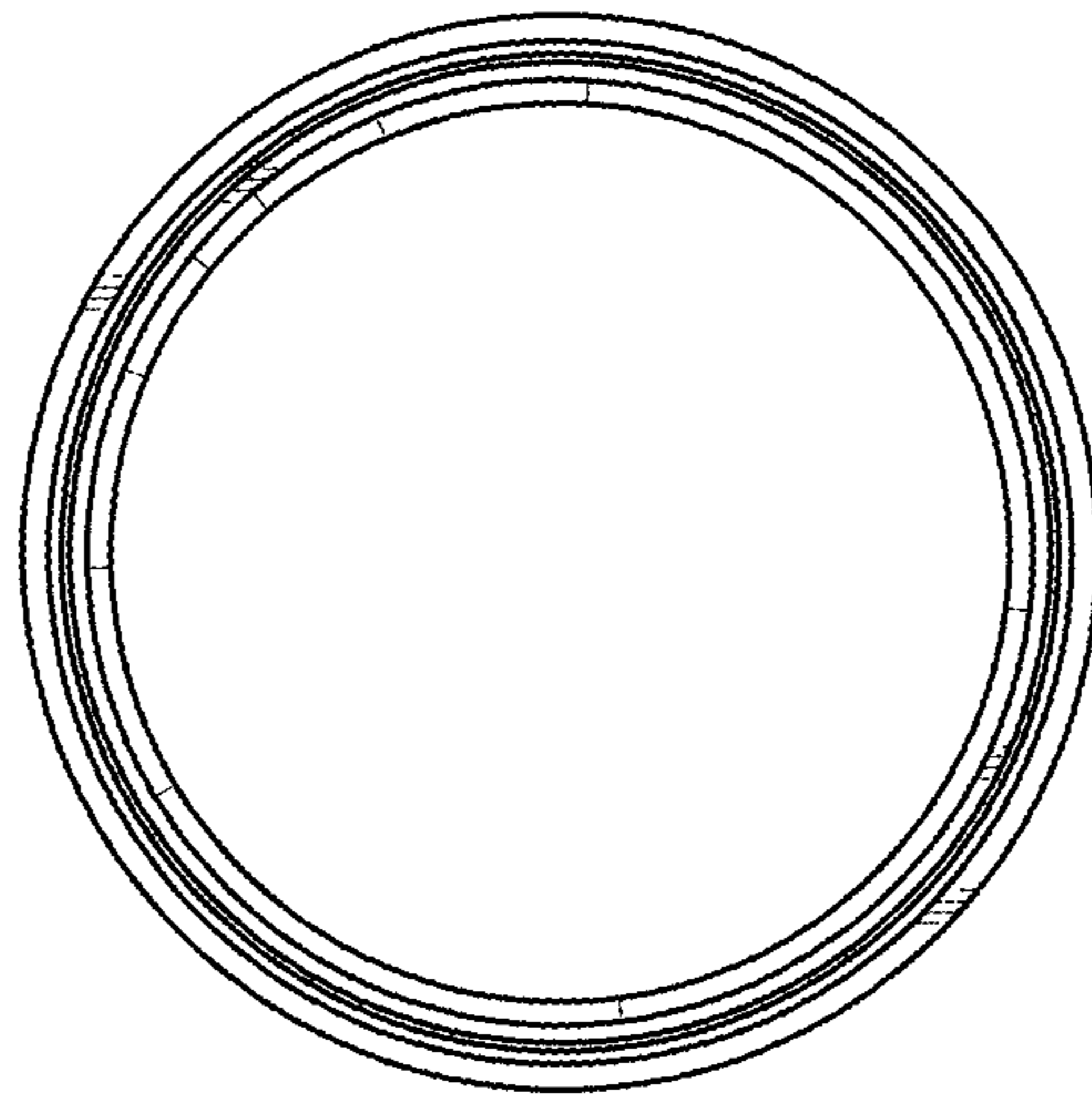
**FIG. 19**



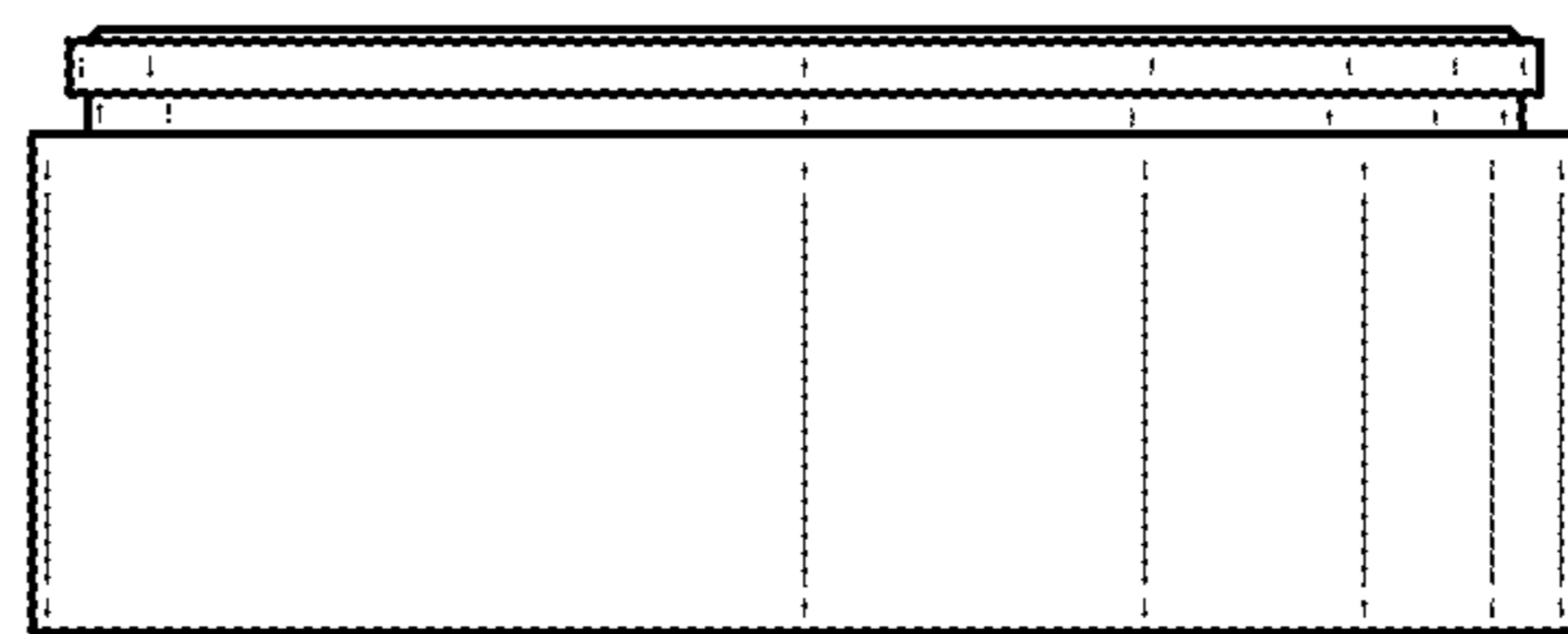
**FIG. 20**



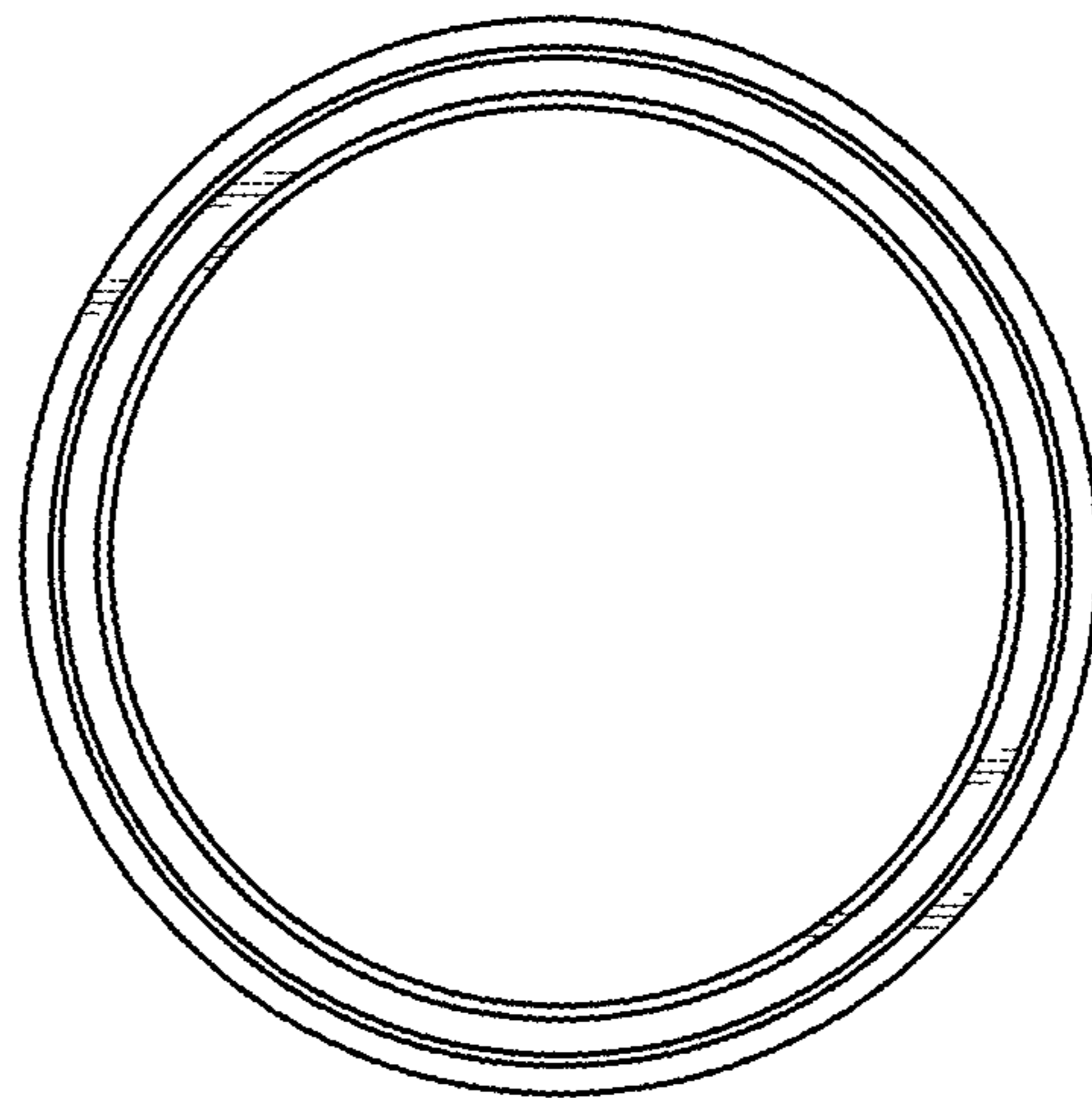
**FIG. 21**



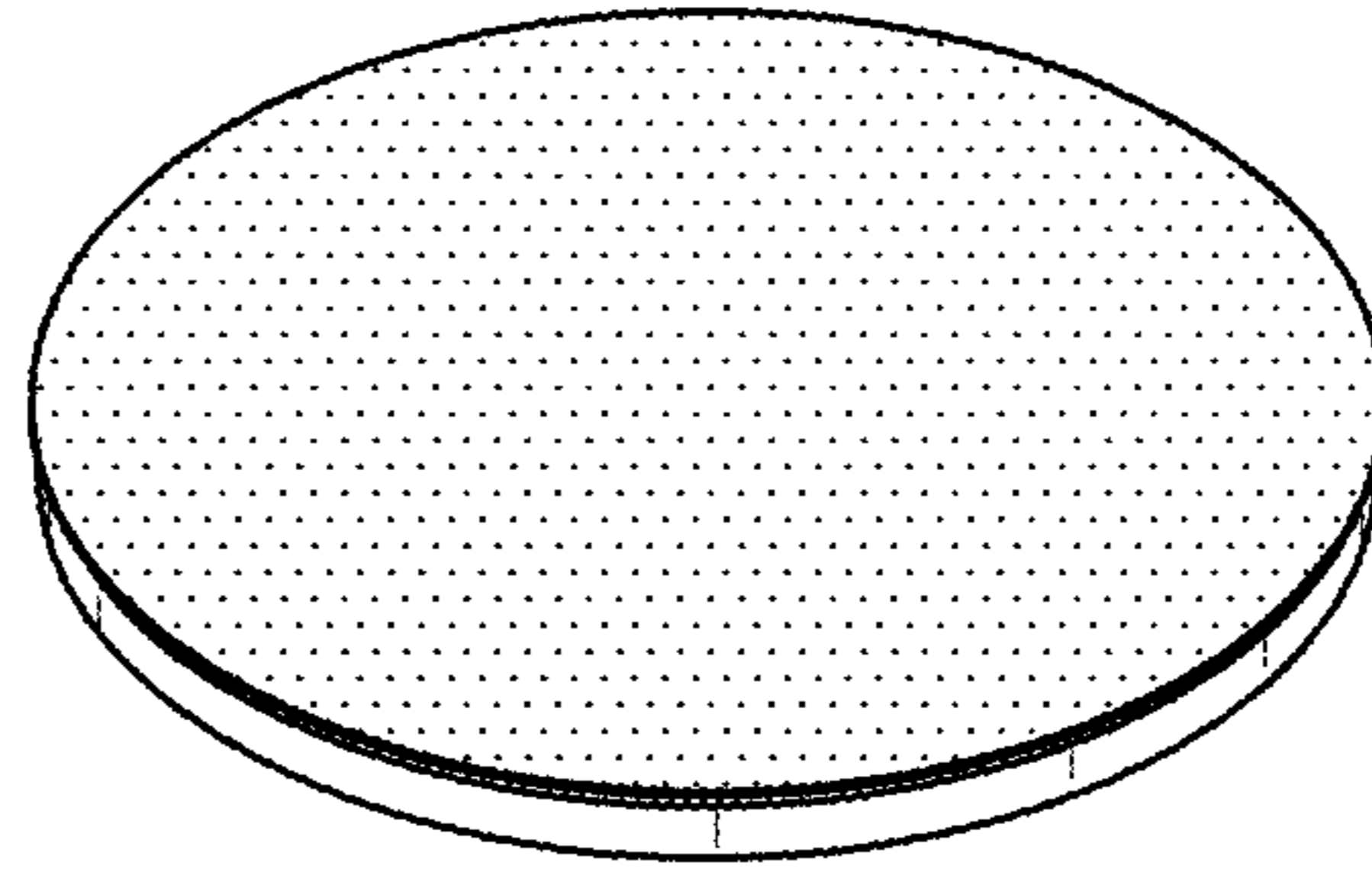
**FIG. 22**



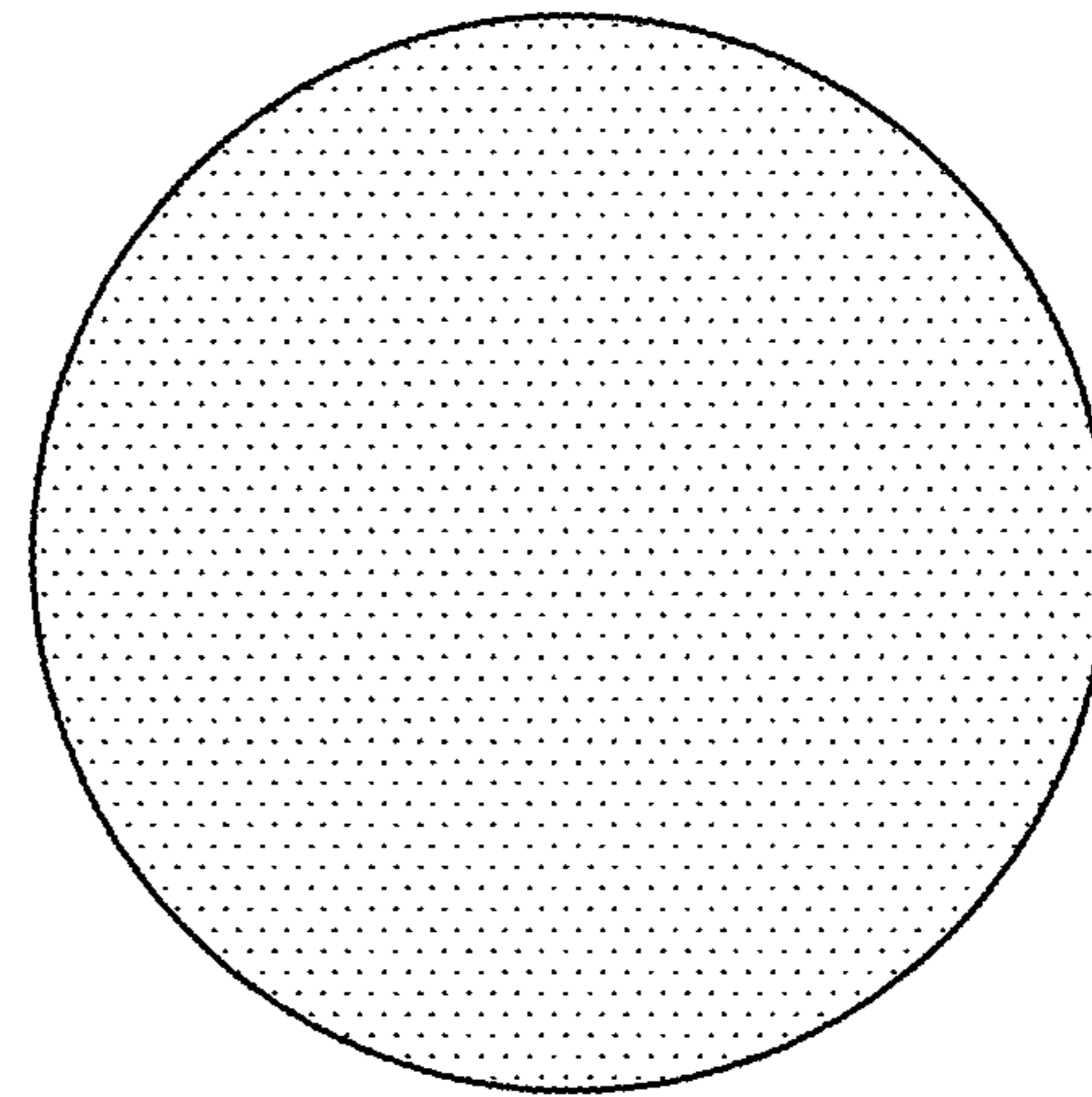
**FIG. 23**



**FIG. 24**



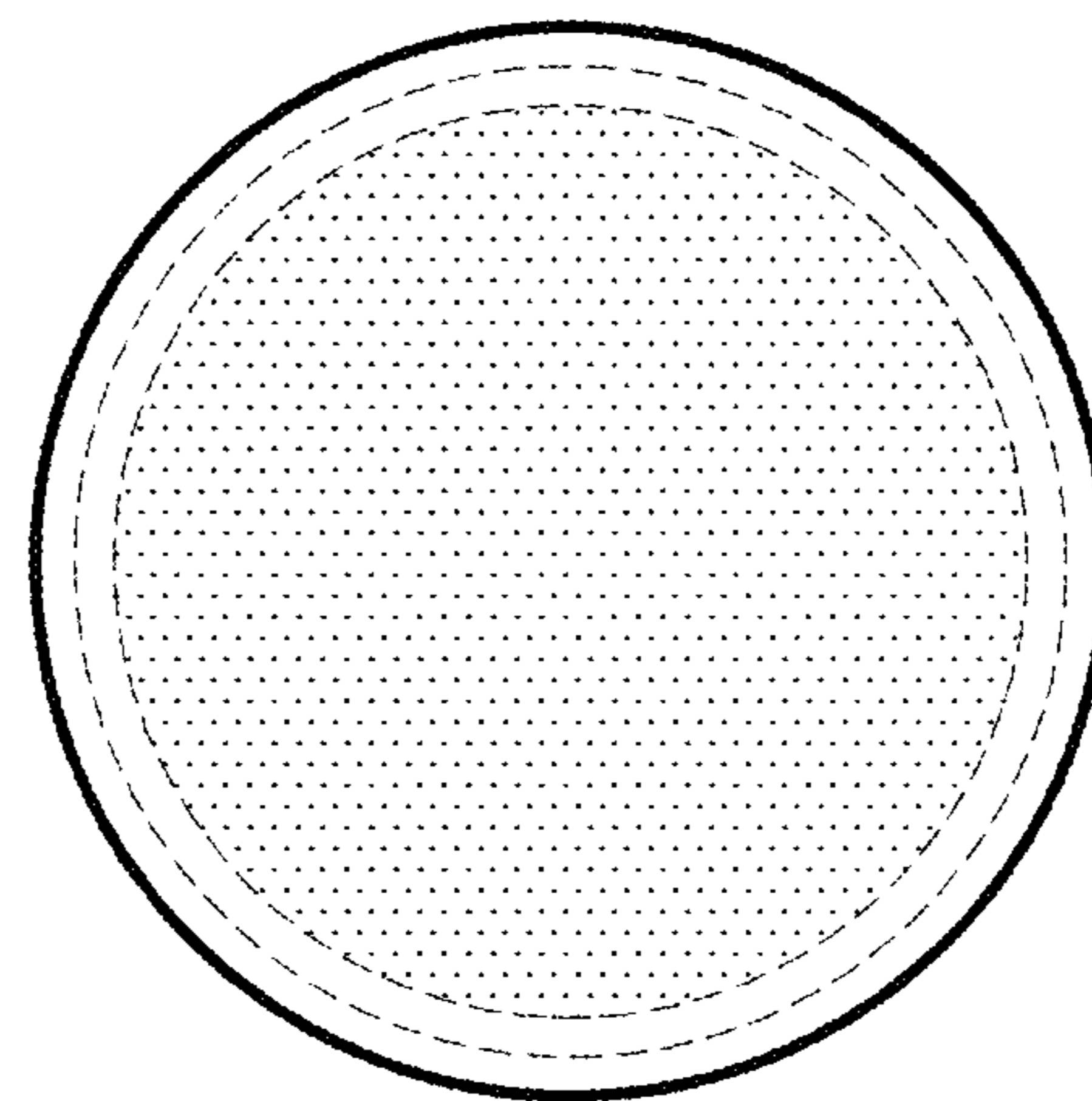
**FIG. 25**



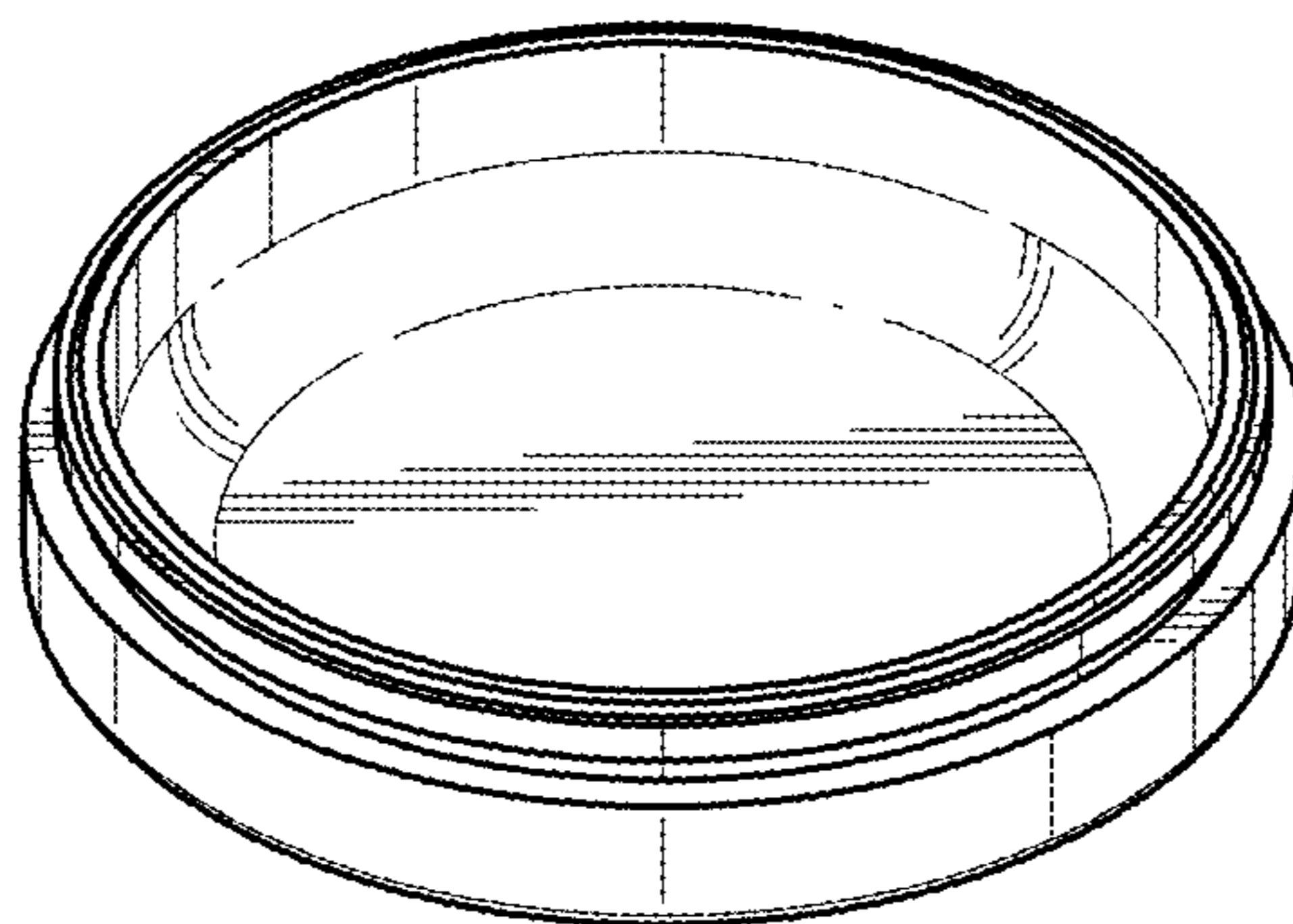
**FIG. 26**



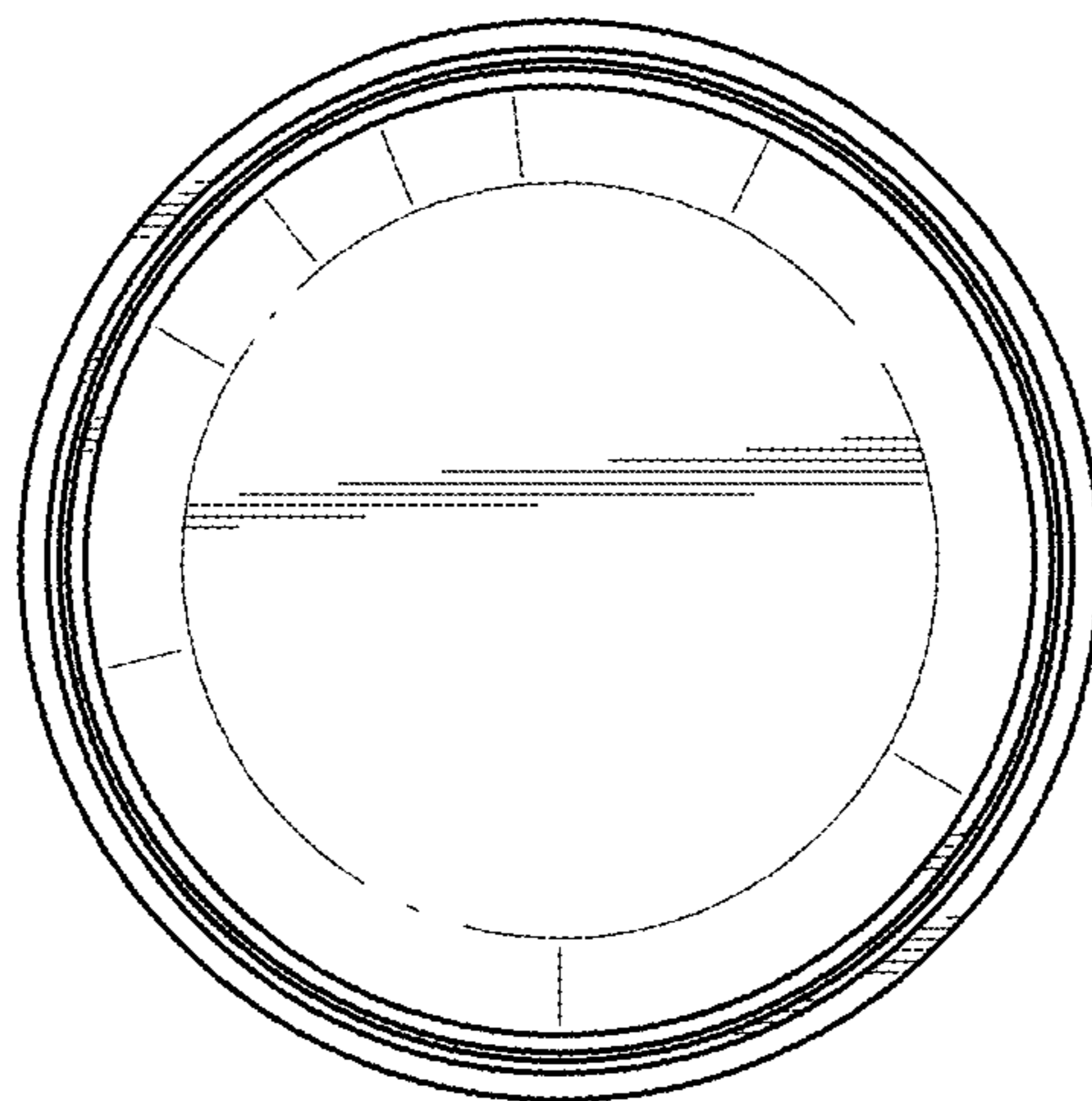
**FIG. 27**



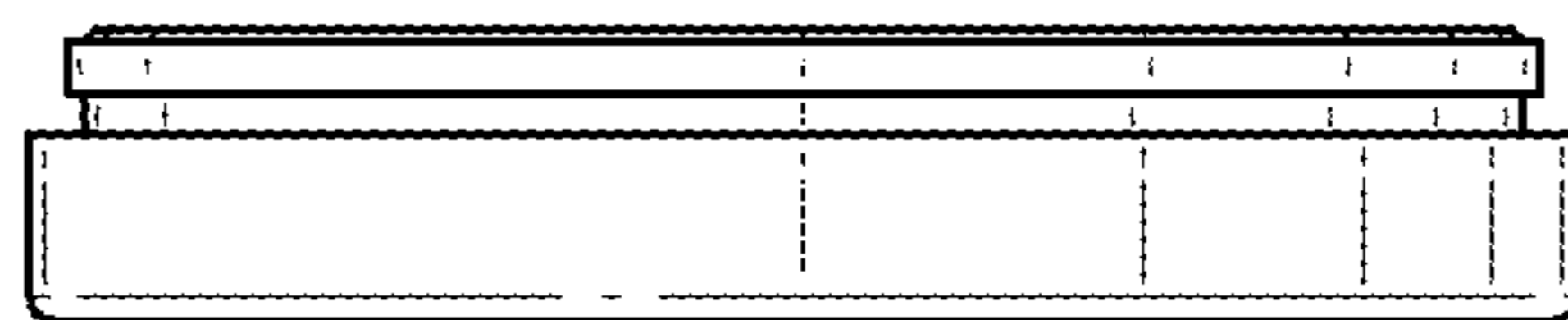
**FIG. 28**



**FIG. 29**



**FIG. 30**



**FIG. 31**

