

US00D952414S

(12) **United States Design Patent** (10) **Patent No.:** **US D952,414 S**
Boomsma (45) **Date of Patent:** **** May 24, 2022**

(54) **POUCH HOLDER**

(71) Applicant: **Leah Ceee O. Boomsma**, Lakeville, MN (US)

(72) Inventor: **Leah Ceee O. Boomsma**, Lakeville, MN (US)

(**) Term: **15 Years**

(21) Appl. No.: **29/714,738**

(22) Filed: **Nov. 25, 2019**

Related U.S. Application Data

(60) Division of application No. 29/580,815, filed on Oct. 13, 2016, now Pat. No. Des. 867,828, which is a continuation-in-part of application No. 14/566,090, filed on Dec. 10, 2014, now Pat. No. 10,377,559.

(51) **LOC (13) Cl.** **09-03**

(52) **U.S. Cl.**
USPC **D7/622**; D7/624.2; D9/455

(58) **Field of Classification Search**
USPC D3/20, 202, 203.1, 203.2, 203, 208, 215, D3/220, 303, 318; D6/512, 513, 517, D6/524, 525, 534, 535, 542, 545; D7/387, 388, 306.1, 396.2, 401.1, 602, D7/619.1-625, 681, 701-708, 300, 302, D7/318, 509, 510, 534, 543, 589, 590, D7/601, 622; D9/434, 435, 436, 443, D9/444, 445, 446, 455, 499, 516, 529, D9/530, 542, 543, 552, 565, 574, 575, D9/682, 686, 687, 693, 694; D24/197, D24/199
CPC A47G 19/2272; A47G 2019/122; G01F 11/262; B65D 25/04; B65D 25/10; B65D 25/2805; B65D 81/3865; B65D 85/14; B65D 43/02

See application file for complete search history.

(56) **References Cited**

U.S. PATENT DOCUMENTS

2,622,420 A * 12/1952 Rice A47G 19/2272
215/11.1
D318,017 S * 7/1991 Patterson D7/622
D321,885 S * 11/1991 Sheldrake D14/138 R
(Continued)

FOREIGN PATENT DOCUMENTS

CA 2428592 A1 * 5/2002 A47G 19/2272
CA 2761952 A1 * 11/2010 A47G 19/2272
(Continued)

OTHER PUBLICATIONS

No Squeeze Flipping Holder for Food Pouches and Drink Boxes: Announced May 25, 2016 [online]. Site Visited Feb. 9, 2018. Available from Internet URL: https://www.kickstarter.com/projects/1620444960/no-squeeze-flipping-holder-for-food-pouches-and-ju.*
(Continued)

Primary Examiner — Catherine S Posthauer
(74) *Attorney, Agent, or Firm* — Gerald E. Helget; Taft Stettinius & Hollister LLP

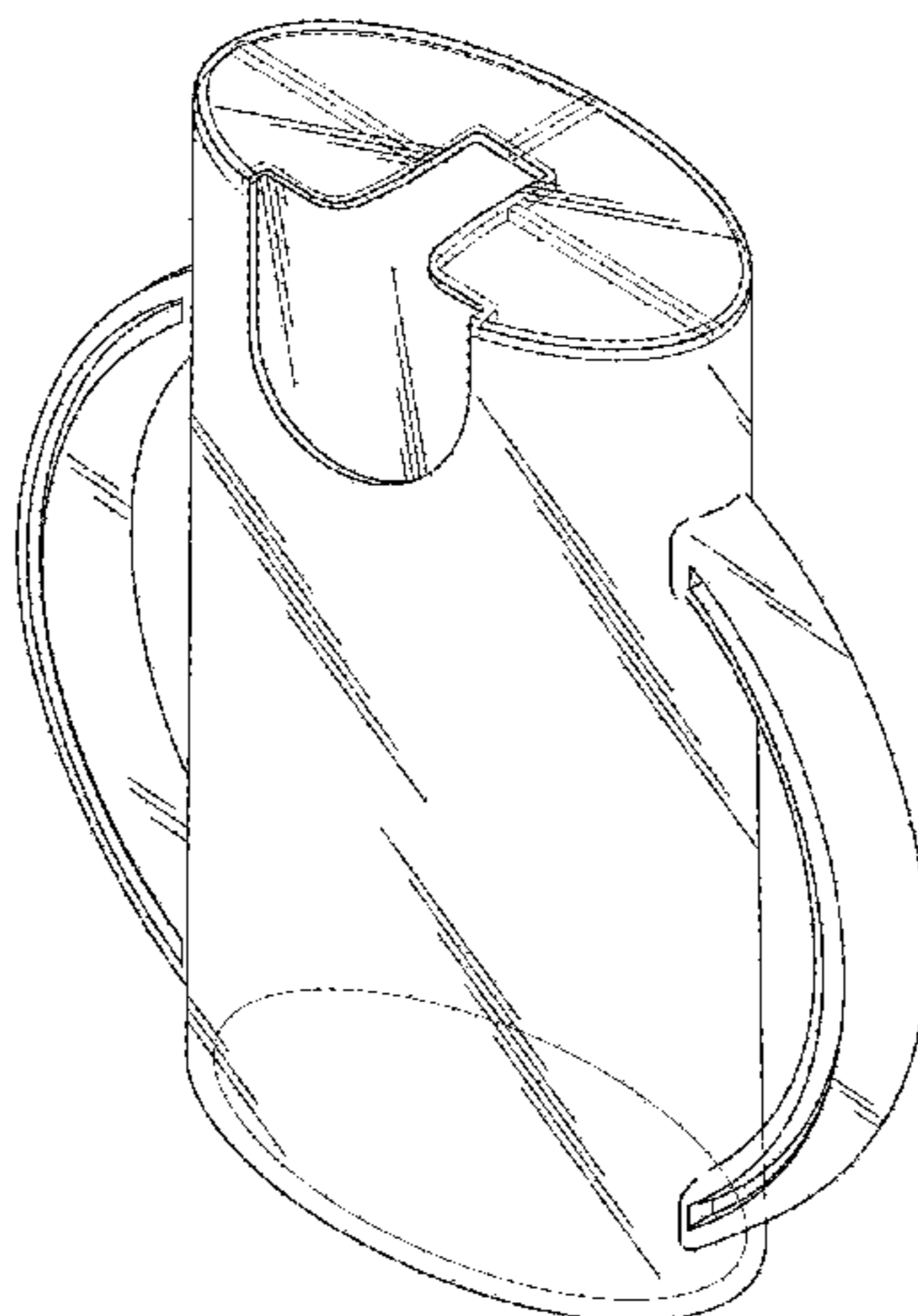
(57) **CLAIM**

The ornamental design for a pouch holder, as shown and described.

DESCRIPTION

FIG. 1 is a perspective view of a pouch holder, showing my new design;
FIG. 2 is a front view thereof;
FIG. 3 is a back view thereof;
FIG. 4 is a side view thereof;
FIG. 5 is another side view thereof;
FIG. 6 is a top view thereof; and,
FIG. 7 is a bottom view thereof.
The broken lines are shown for the purpose of illustrating parts of the article that form no part of the claim.

1 Claim, 5 Drawing Sheets



(56)

References Cited

U.S. PATENT DOCUMENTS

D324,176 S * 2/1992 Patterson D24/199
 D327,431 S * 6/1992 Farricielli D9/444
 5,405,030 A * 4/1995 Frazier A47G 19/2205
 215/6
 D379,711 S * 6/1997 Fitzgerald D3/202
 5,702,020 A * 12/1997 Larsen A47G 19/2272
 215/229
 D402,192 S * 12/1998 Bell D9/686
 5,899,354 A * 5/1999 Garcia A47G 19/22
 206/217
 6,086,240 A * 7/2000 Murphy A47G 19/22
 366/147
 D433,143 S * 10/2000 Chomik D24/197
 D453,095 S * 1/2002 Bailey D7/620
 6,640,992 B1 * 11/2003 Berger A47G 19/2261
 220/603
 D585,224 S * 1/2009 Hwang D6/553
 D639,118 S * 6/2011 Huang D7/624.2
 D667,665 S * 9/2012 DelGigante D6/542
 D683,589 S * 6/2013 Itzek D7/510
 D695,574 S * 12/2013 Min D7/622
 D703,059 S * 4/2014 Chopdat D9/529
 D721,925 S * 2/2015 Feldman D7/623
 D782,328 S * 3/2017 McCormack D9/729
 D784,163 S * 4/2017 McCormack D9/729
 9,801,481 B2 * 10/2017 Dunn A47G 19/2272
 10,377,559 B1 * 8/2019 Boomsma A47G 23/0258
 D867,828 S * 11/2019 Boomsma D7/622

2003/0019876 A1 * 1/2003 Burke A47G 19/2272
 220/717
 2003/0218015 A1 * 11/2003 Randolph A47G 19/2272
 220/212.5
 2009/0008419 A1 * 1/2009 Tsang A45F 5/00
 224/271
 2009/0218357 A1 * 9/2009 Byrd A47G 19/2272
 220/592.2
 2014/0069945 A1 * 3/2014 Gubitosi A47G 19/2266
 220/710.5
 2014/0158699 A1 * 6/2014 Kim A47G 19/2272
 220/592.17
 2018/0014672 A1 * 1/2018 Coey A47G 19/2227
 2018/0014673 A1 * 1/2018 Wert A47G 19/2272

FOREIGN PATENT DOCUMENTS

CA 2867543 A1 * 4/2015 A47G 19/2272
 WO WO-02087397 A1 * 11/2002 A47G 19/2272
 WO WO-2012164615 A1 * 12/2012 A47G 19/2272
 WO WO-2016038285 A1 * 3/2016 A47G 19/2272
 WO WO-2017091639 A1 * 6/2017 A47G 19/22

OTHER PUBLICATIONS

Flipping Holder Multi Purpose Squeeze-Proof Food Pouch: Announced Oct. 28, 2016 [online]. Site Visited Feb. 9, 2018. Available from URL:https://www.amazon.com/Flipping-Holder-multipurpose-squeeze-proof-holder/dp/B01JDAKC8W/ref=sr_1_3_a_it?ie=UTF8&qid=1518535207&sr=8-3&keywords=flipping+holder+food+pouch.*

* cited by examiner

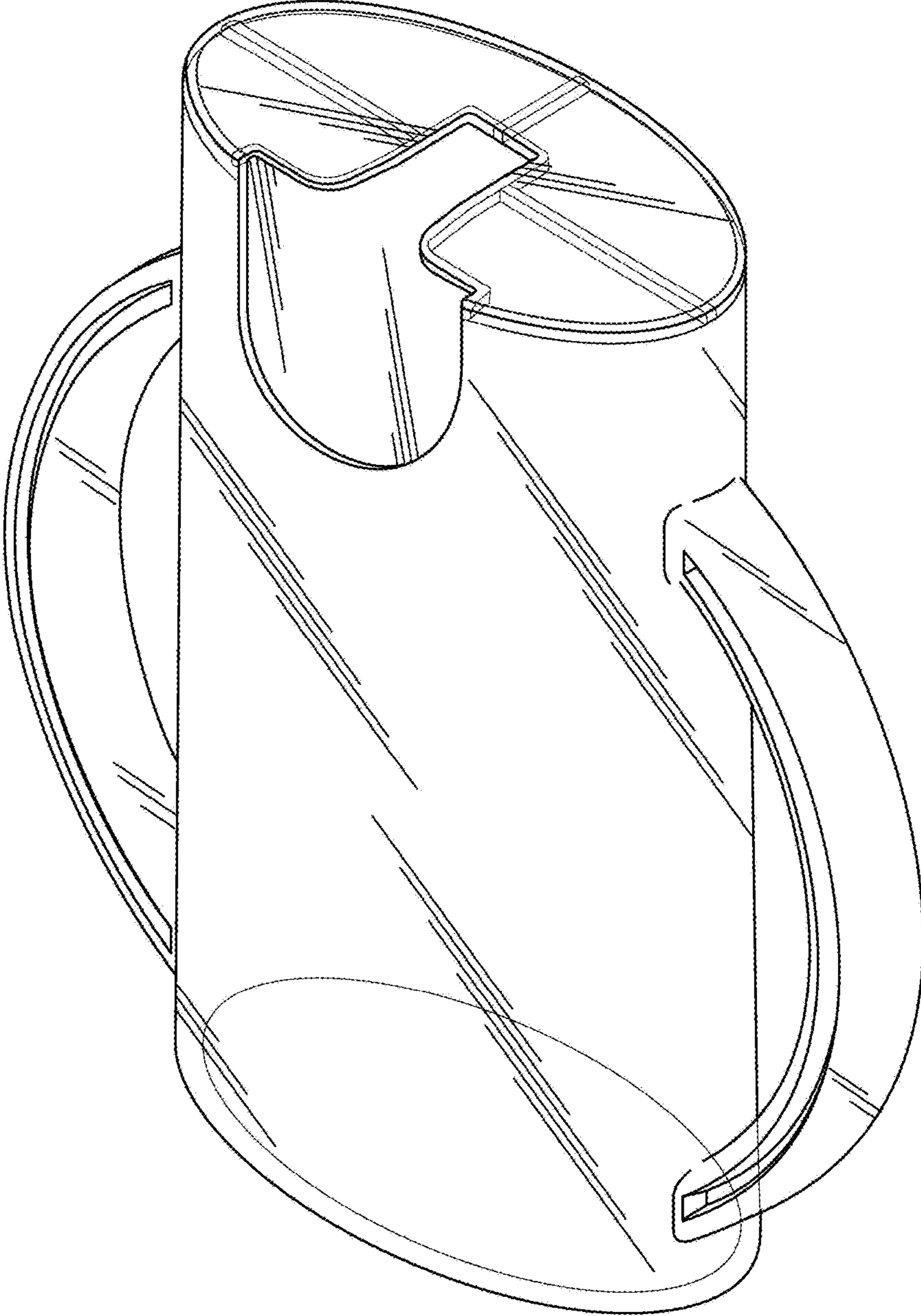


FIG. 1

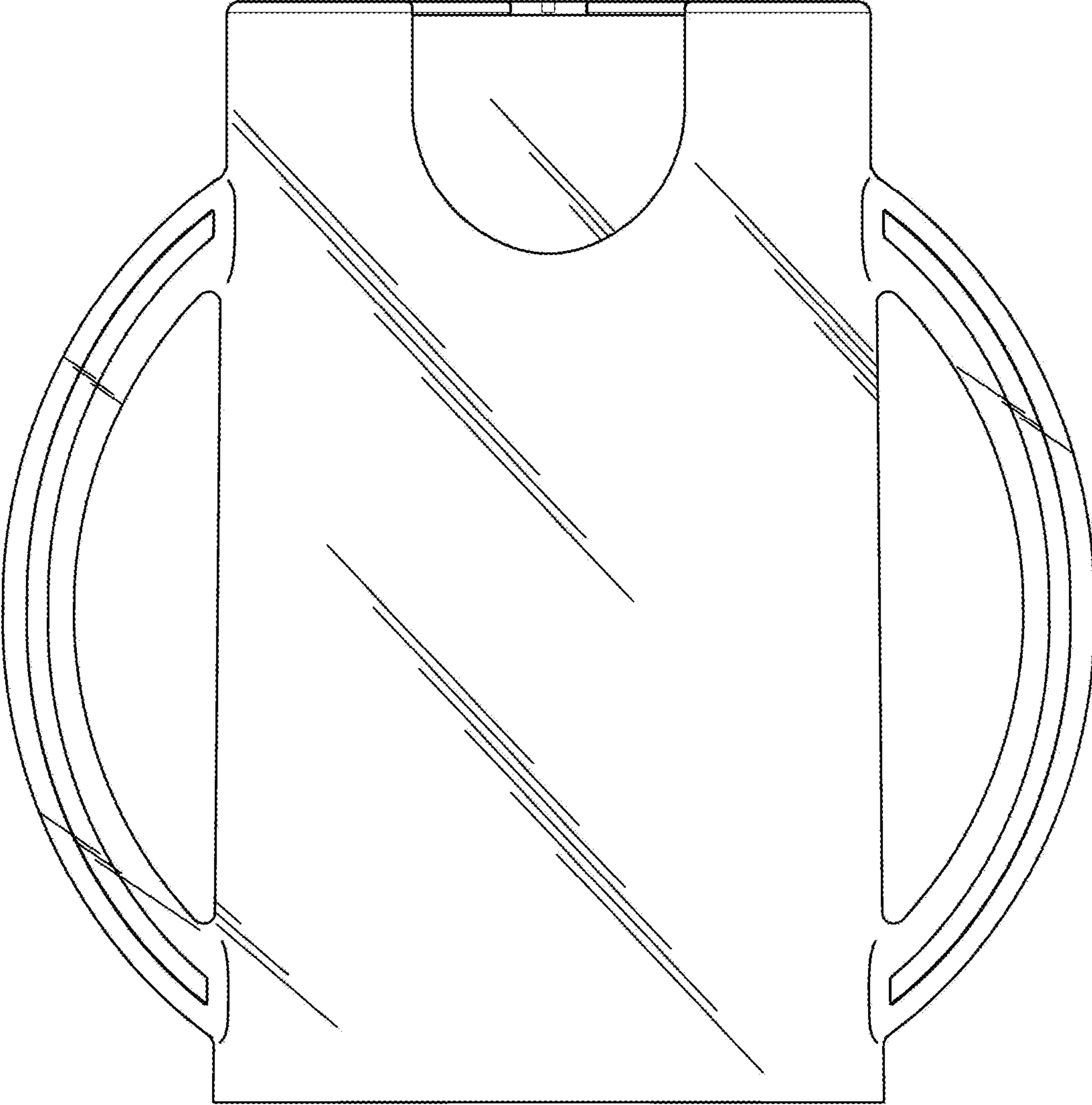


FIG. 2

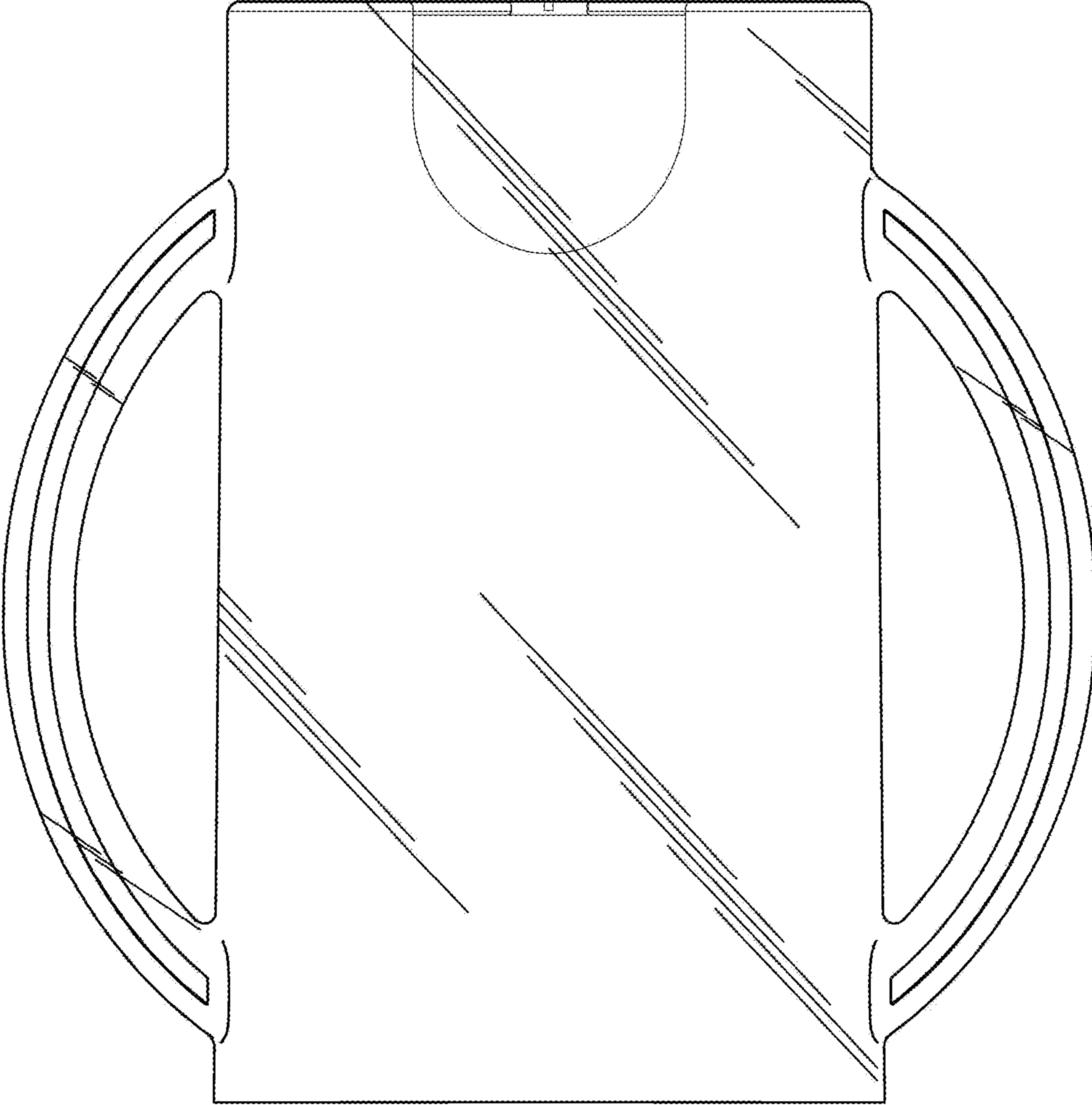


FIG. 3

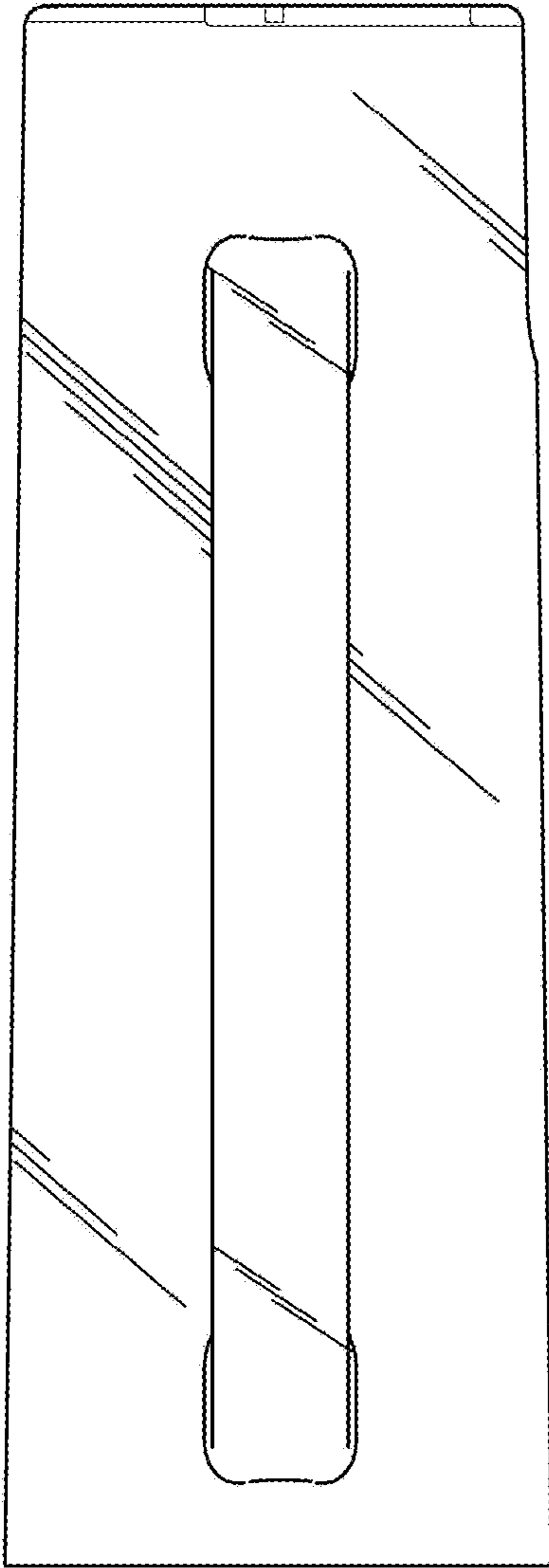


FIG. 4

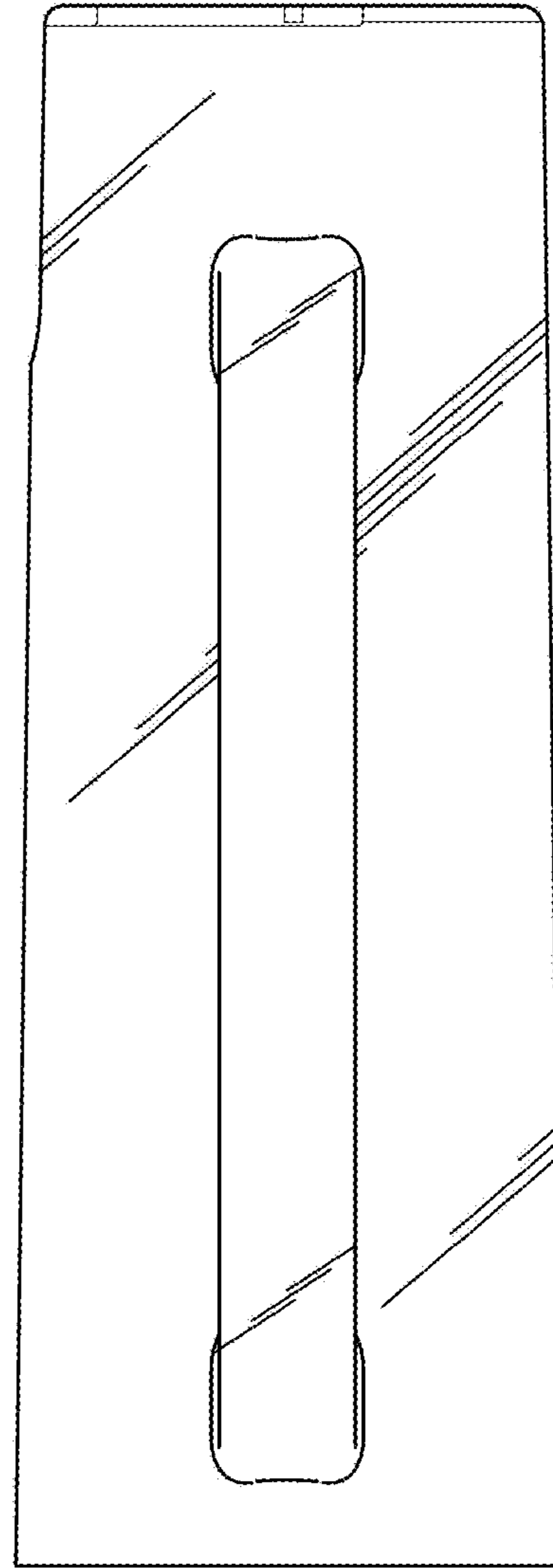


FIG. 5

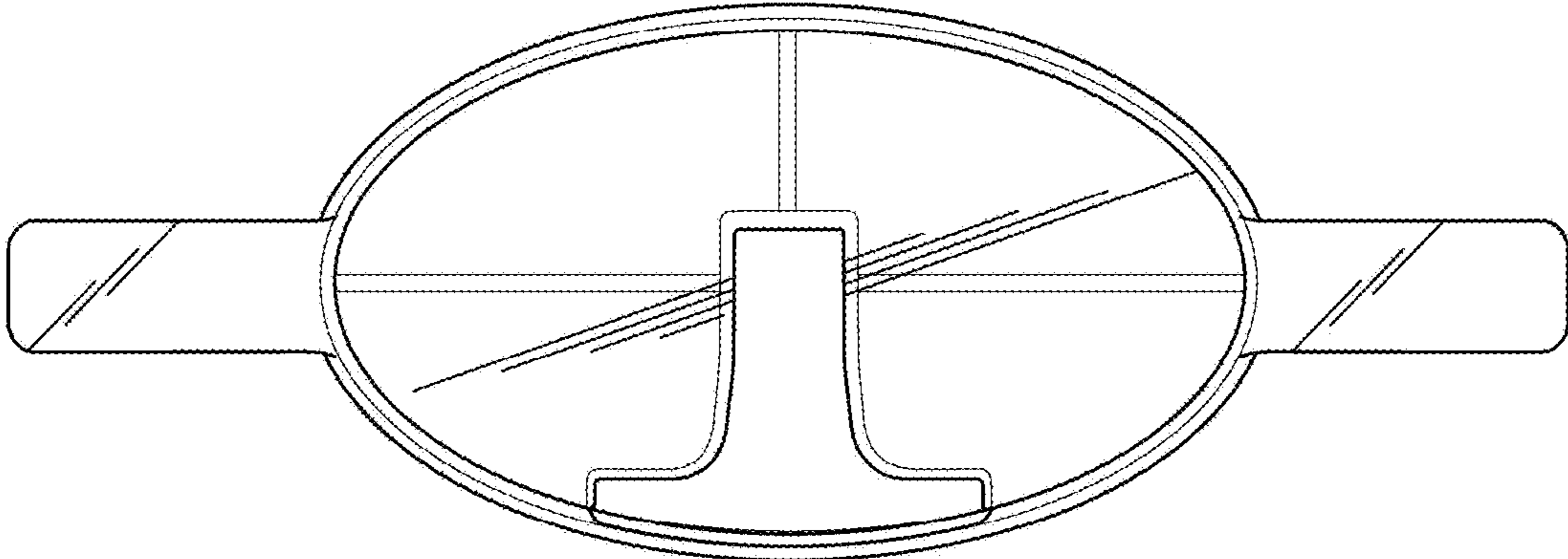


FIG. 6

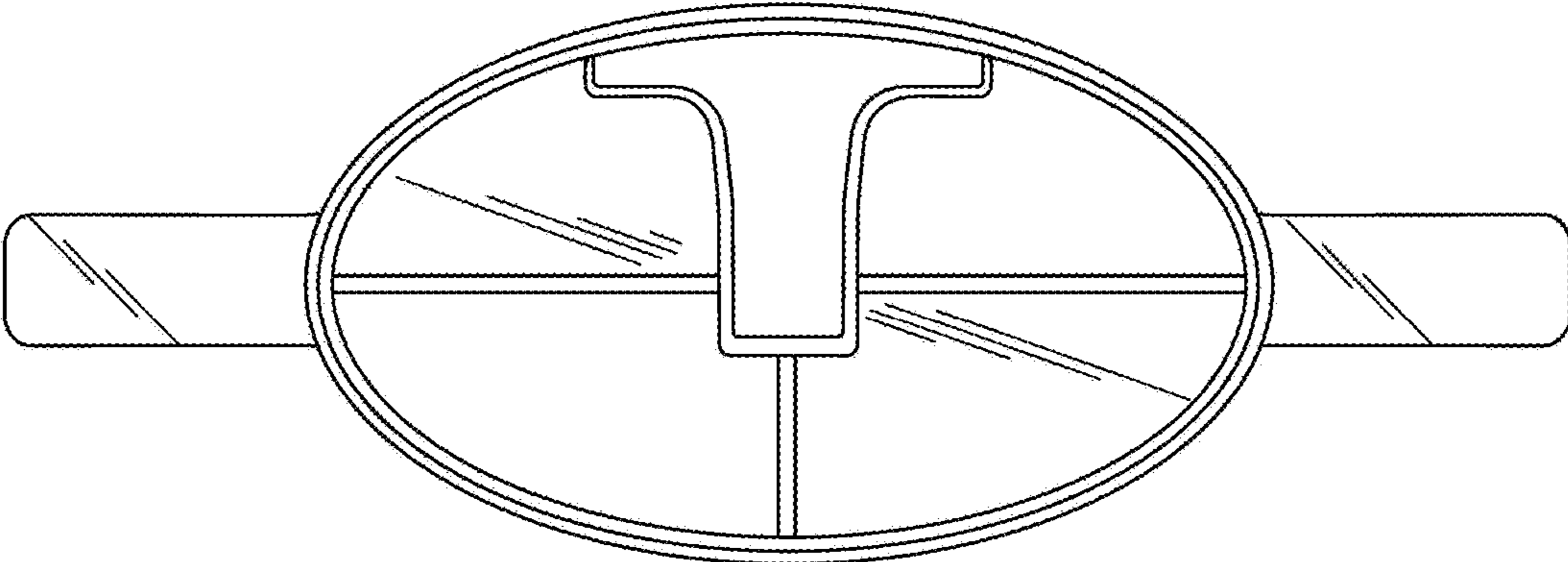


FIG. 7