



US00D952413S

(12) **United States Design Patent**
LaPierre

(10) **Patent No.:** **US D952,413 S**

(45) **Date of Patent:** **** *May 24, 2022**

(54) **PORTABLE HOLDER FOR A CONCAVE CONTAINER**

(71) Applicant: **Seth Charles LaPierre**, Arlington, VA (US)

(72) Inventor: **Seth Charles LaPierre**, Arlington, VA (US)

(*) Notice: This patent is subject to a terminal disclaimer.

(**) Term: **15 Years**

(21) Appl. No.: **29/662,611**

(22) Filed: **Sep. 6, 2018**

(51) **LOC (13) Cl.** **07-06**

(52) **U.S. Cl.**
USPC **D7/620**

(58) **Field of Classification Search**

USPC D7/619.1-625, 605-608, 707-708, 533, D7/536, 393, 396.2

CPC A47G 23/0266; A47G 23/0233; A47G 23/0241; A47G 23/0216; A47G 23/02; A47G 23/0225; A47G 19/2205; A45F 5/10; A47J 45/10; A47J 45/077; B65D 2313/02; B65D 25/2829; B65D 25/2817; B65D 21/0224; A47C 7/622; A47C 4/20; B60N 3/102; B60N 3/103; B60N 3/106; B60N 3/108; B62B 9/26; A45C 11/20; A47K 1/09

See application file for complete search history.

(56) **References Cited**

U.S. PATENT DOCUMENTS

3,698,675 A * 10/1972 Lerew A47K 1/09 248/311.2
D228,335 S * 9/1973 Jackson D7/620

5,224,678 A * 7/1993 McClellan B65D 21/0224 108/53.1
5,279,452 A * 1/1994 Huynh B60N 3/103 108/46
D370,384 S * 6/1996 Shamis D7/393
D709,738 S * 7/2014 Weinert D7/622
D725,971 S * 4/2015 Farhat D7/622
D795,021 S * 8/2017 Lindloff D7/620
2002/0145096 A1 * 10/2002 Eubanks A47G 23/0225 248/311.2

* cited by examiner

Primary Examiner — Terry A Wallace

(57) **CLAIM**

The ornamental design of a portable holder for a concave container, substantially shown and described.

DESCRIPTION

FIG. 1 is a front perspective view of a portable holder for a concave container in accordance with the present invention; FIG. 2 is a front view of the portable holder for a concave container in FIG. 1; FIG. 3 is a rear view thereof; FIG. 4 is a left side view thereof; FIG. 5 is a right side view thereof; FIG. 6 is a top plan view thereof; FIG. 7 is a bottom view thereof; FIG. 8 is a cross section view thereof taken along line 8-8; FIG. 9 is a bottom perspective view thereof; and, FIG. 10 is a cross section perspective view of FIG. 8.

1 Claim, 6 Drawing Sheets

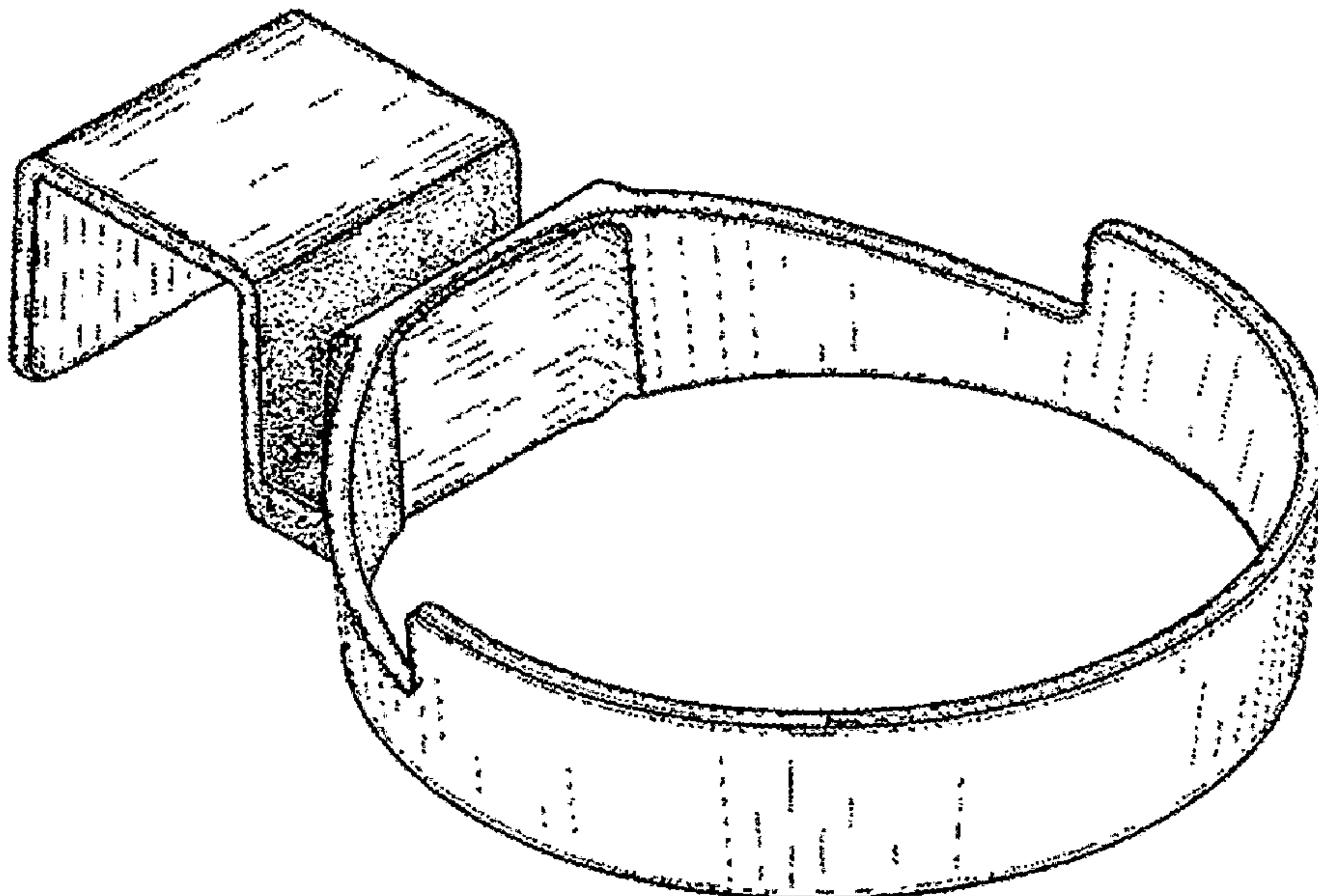


FIG. 1

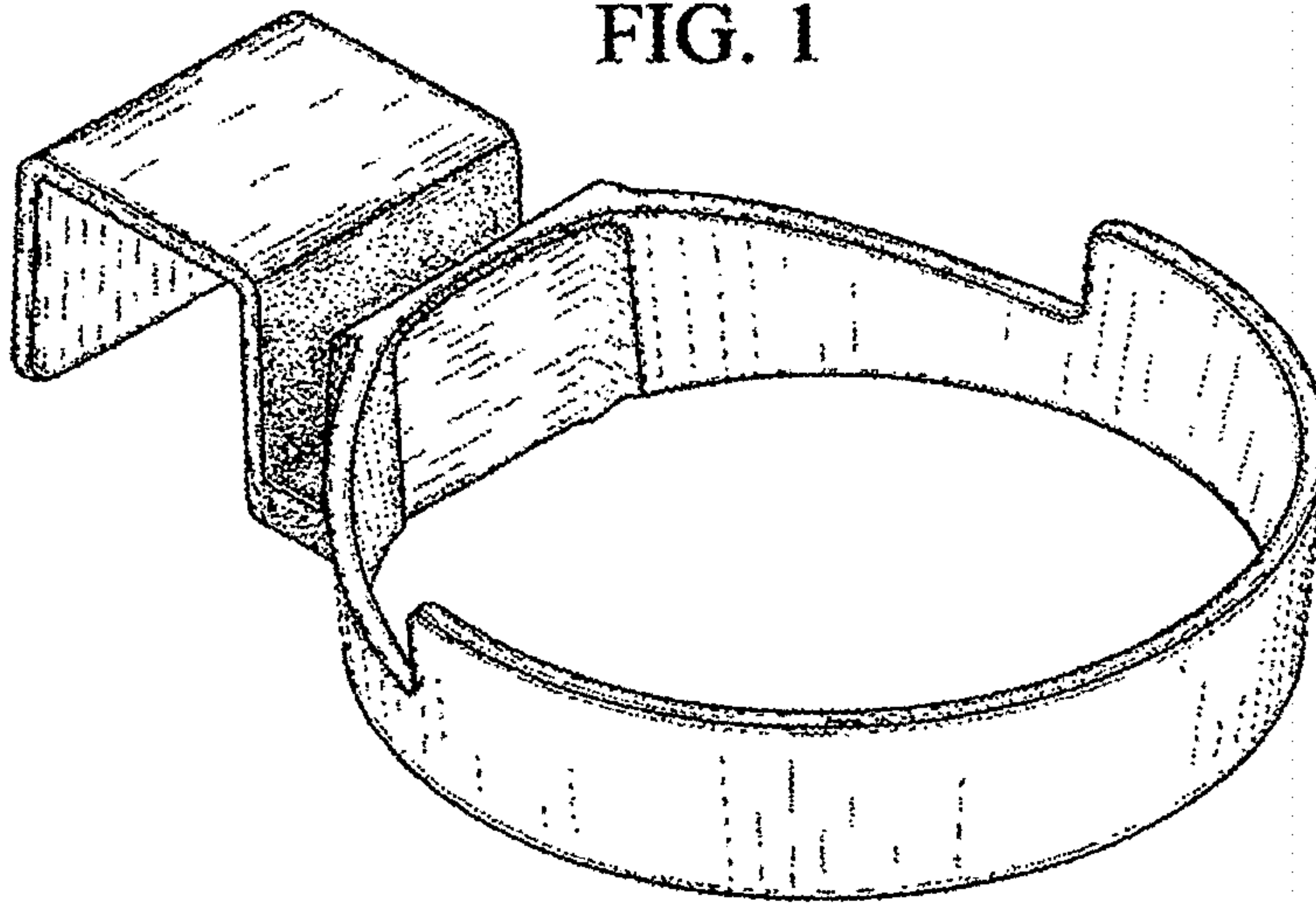


FIG. 2

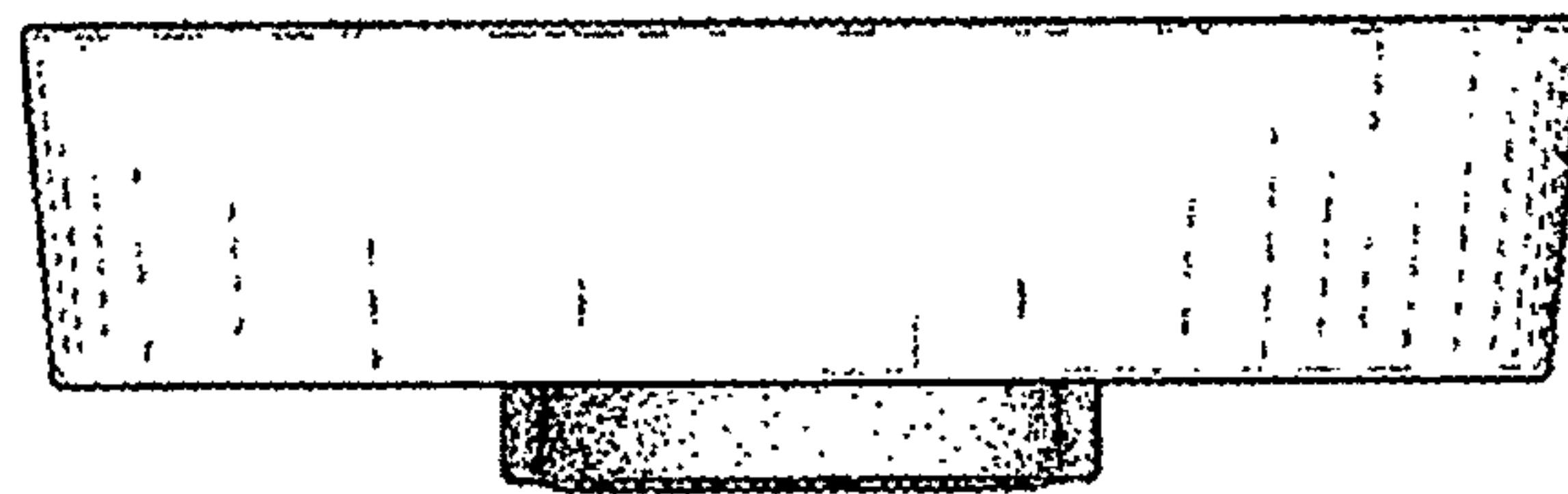


FIG. 3

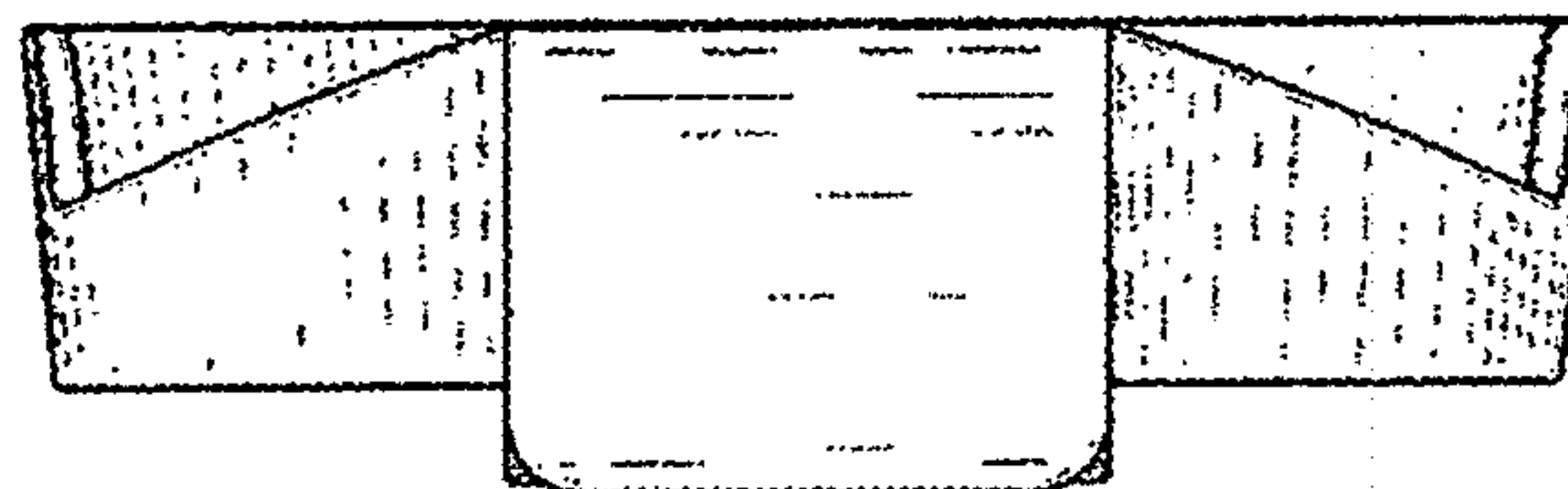


FIG. 4

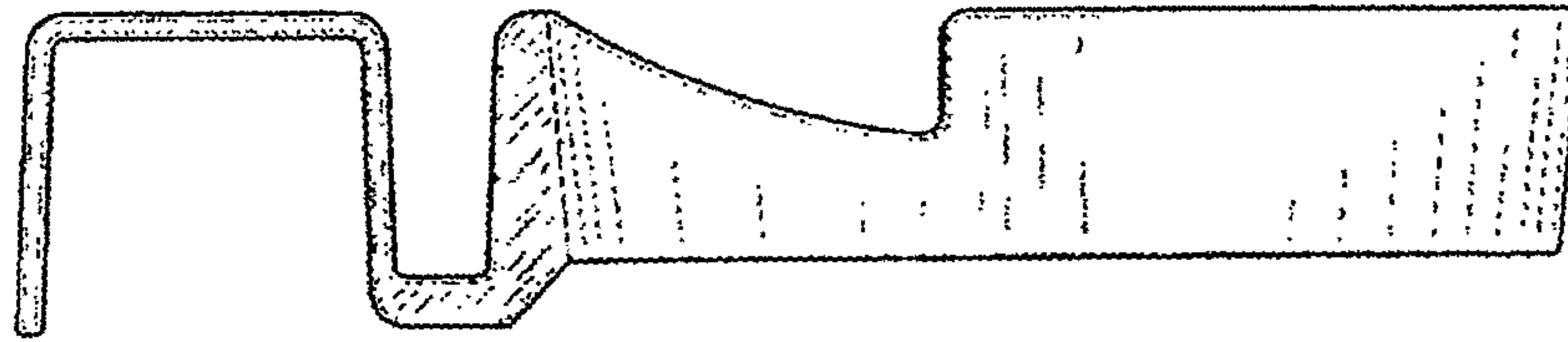


FIG. 5

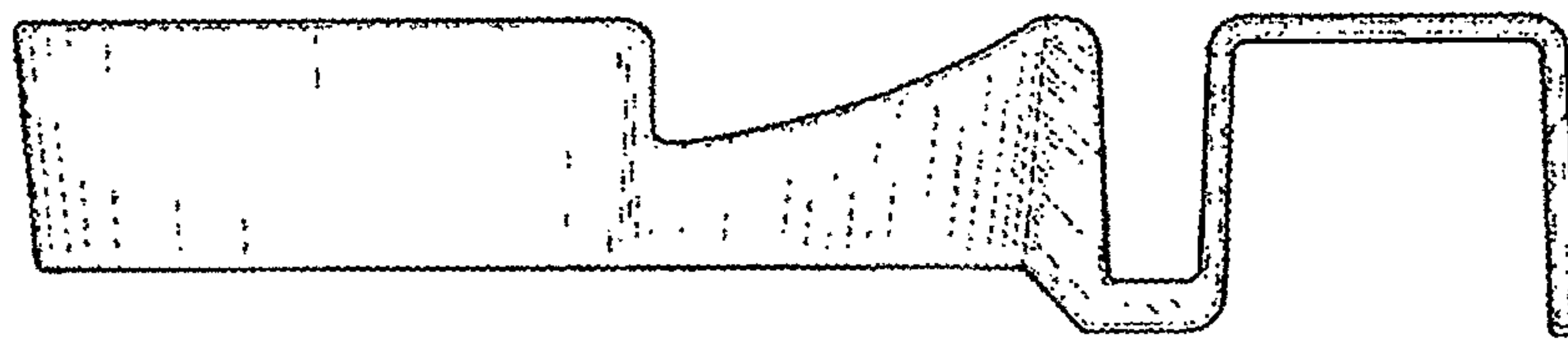


FIG. 6

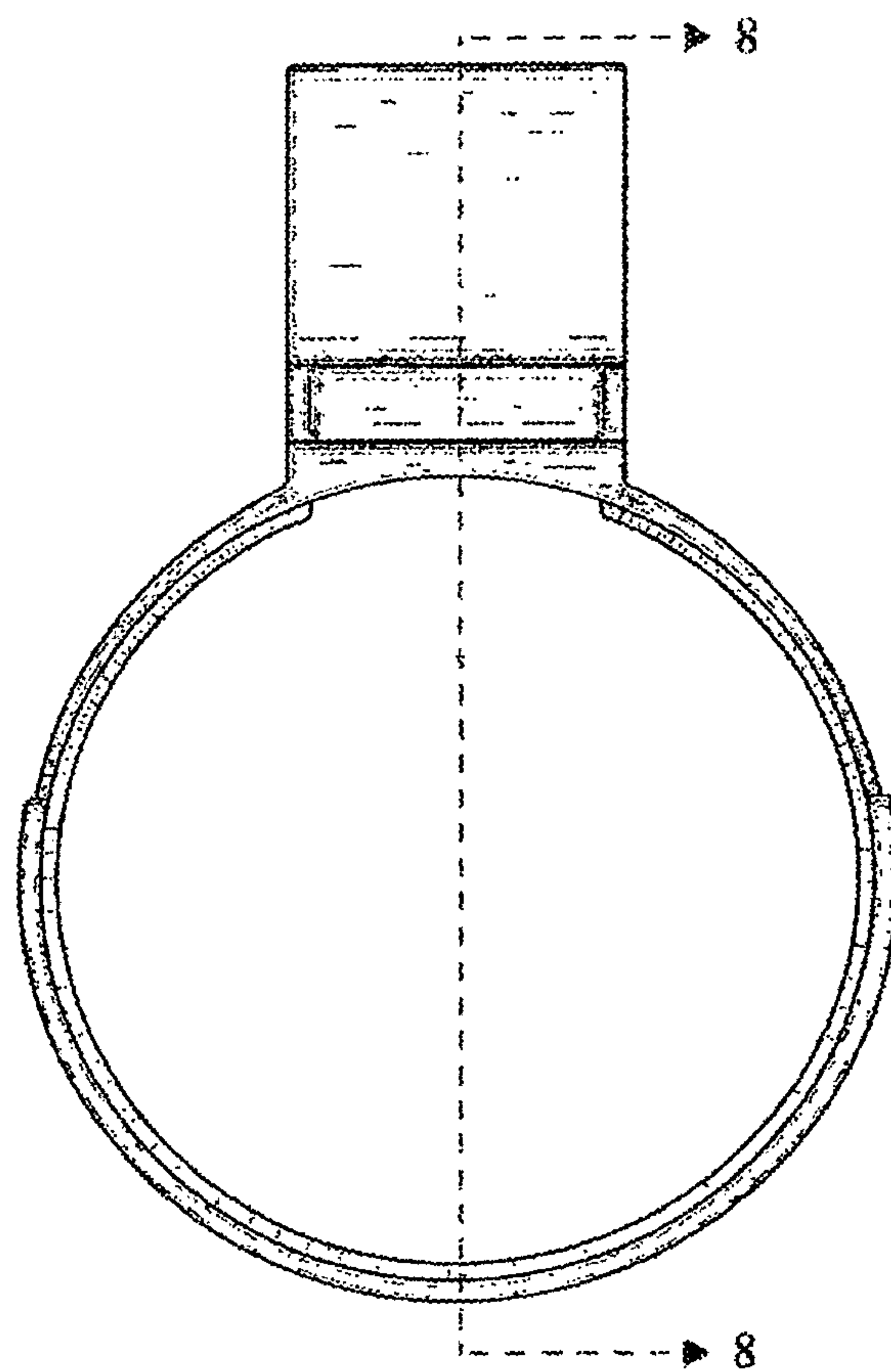


FIG. 7

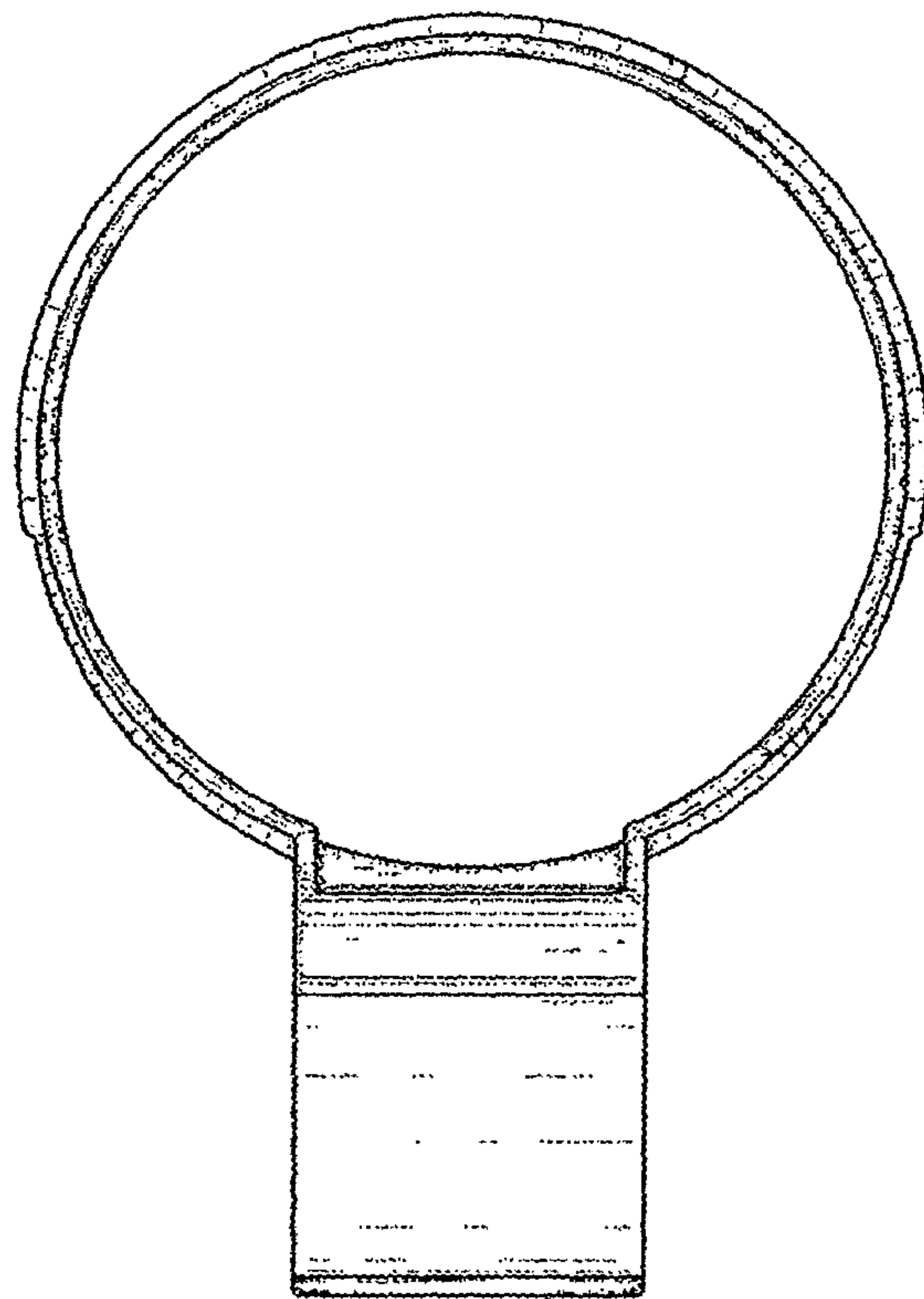


FIG. 8

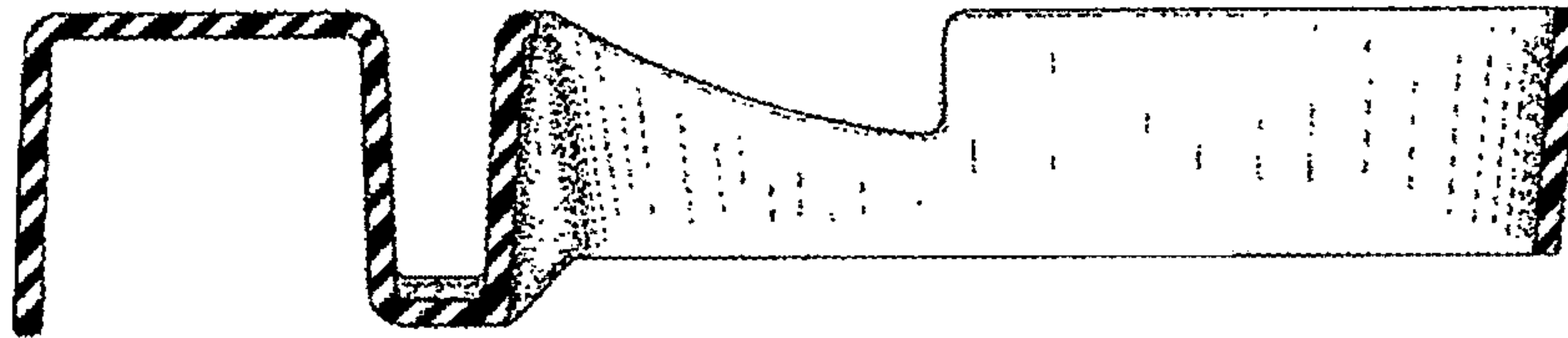


FIG. 9

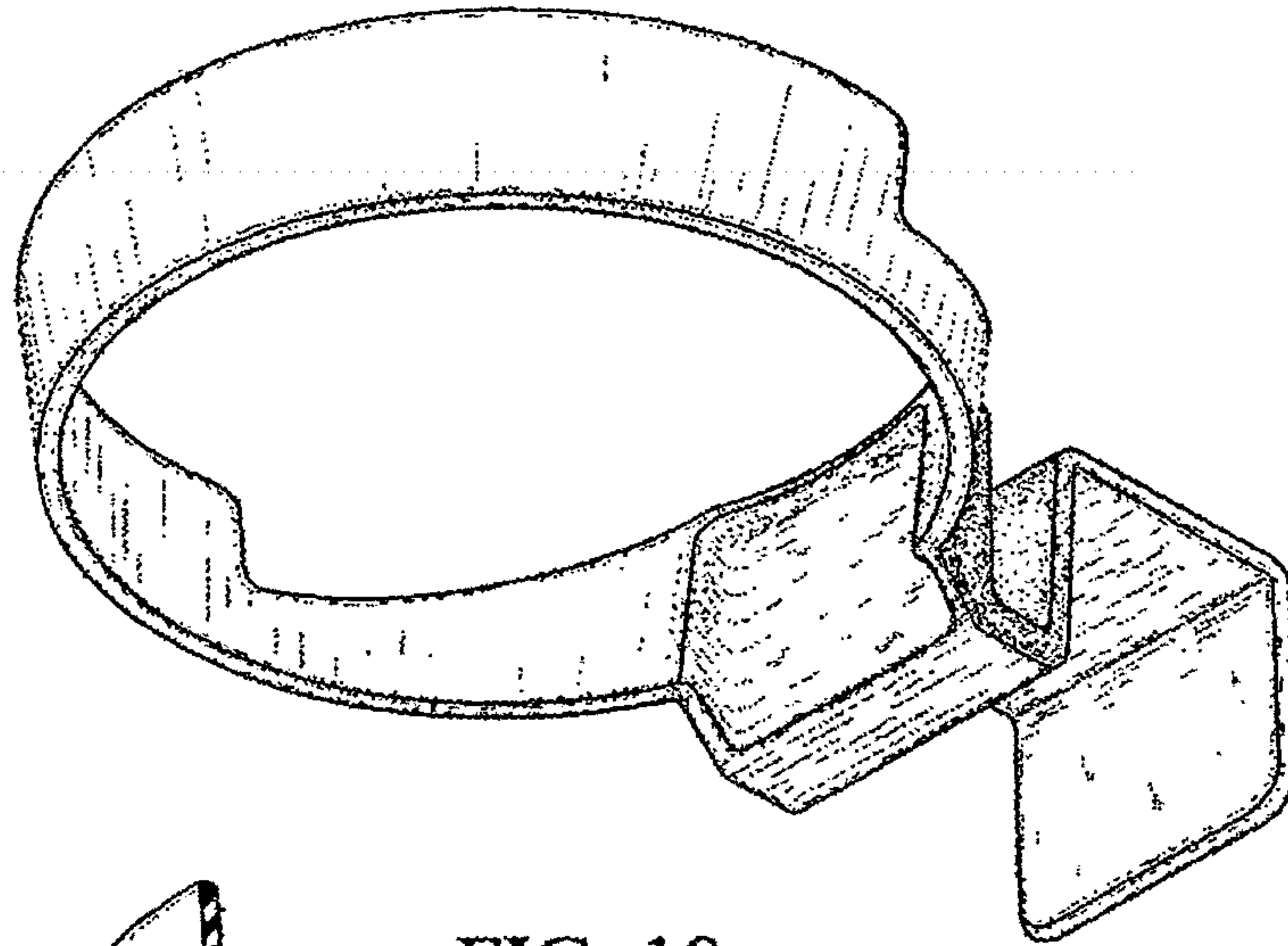


FIG. 10

