



US00D952408S

(12) **United States Design Patent** (10) **Patent No.:** **US D952,408 S**  
**Andrew et al.** (45) **Date of Patent:** **\*\* \*May 24, 2022**

(54) **BEVERAGE CONTAINER**

- (71) Applicant: **Pacific Market International, LLC**,  
Seattle, WA (US)
- (72) Inventors: **Mercedita Andrew**, Seattle, WA (US);  
**Andrew C. F. Wahl**, Seattle, WA (US)
- (73) Assignee: **Pacific Market International, LLC**,  
Seattle, WA (US)
- (\*) Notice: This patent is subject to a terminal disclaimer.
- (\*\*) Term: **15 Years**
- (21) Appl. No.: **29/719,913**
- (22) Filed: **Jan. 8, 2020**

**Related U.S. Application Data**

- (63) Continuation of application No. 29/719,771, filed on Jan. 7, 2020.
- (51) **LOC (13) Cl.** ..... **07-01**
- (52) **U.S. Cl.**  
USPC ..... **D7/511**
- (58) **Field of Classification Search**  
USPC .... D3/202; D7/300, 300.1, 300.2, 301, 305,  
D7/319, 392, 392.1, 396.2, 396.3, 413,  
(Continued)

(56) **References Cited**

**U.S. PATENT DOCUMENTS**

- D143,757 S 2/1946 Reinecke
- D287,919 S \* 1/1987 Clements ..... D7/392.1  
(Continued)

**FOREIGN PATENT DOCUMENTS**

- CA 164170 \* 9/2016
- CA 170257 \* 8/2017  
(Continued)

**OTHER PUBLICATIONS**

Amazon.com, "Thermos Stainless King Vacuum-Insulated Drink Bottle," Apr. 8, 2016, Amazon.com, www.amazon.com/dp/B01DZQSWQ4 (Year: 2016).\*

(Continued)

*Primary Examiner* — Shannon W Morgan  
*Assistant Examiner* — Arva P Adams  
(74) *Attorney, Agent, or Firm* — George C. Rondeau, Jr.;  
Davis Wright Tremaine, LLP

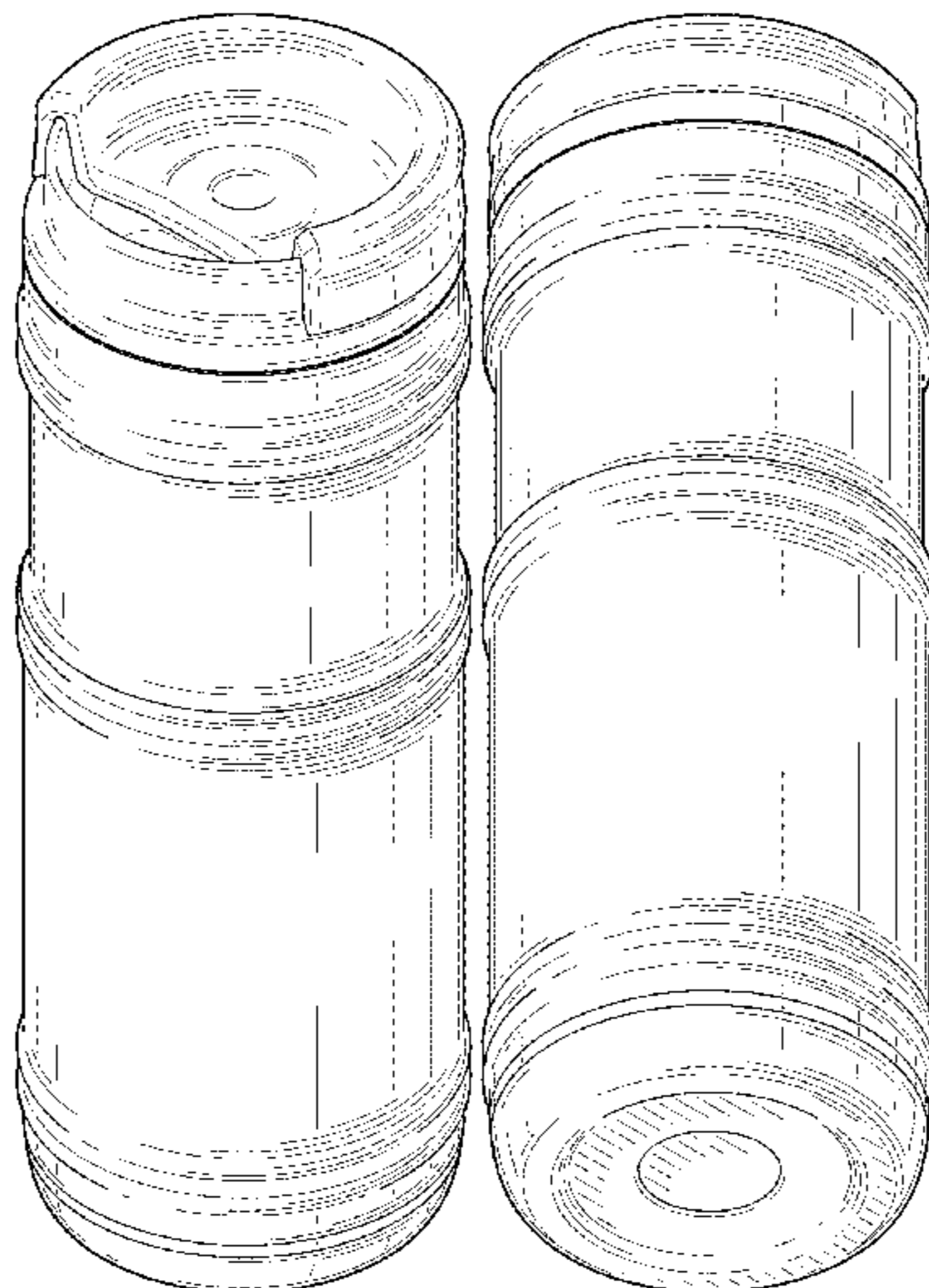
(57) **CLAIM**

The ornamental design for a beverage container, as shown and described.

**DESCRIPTION**

FIG. 1 is a top perspective view of a first embodiment of a beverage container showing our new design. FIG. 2 is a bottom perspective view thereof. FIG. 3 is a front elevational view thereof. FIG. 4 is a left side elevational view thereof. FIG. 5 is a right side elevational view thereof. FIG. 6 is a rear elevational view thereof. FIG. 7 is a top plan view thereof. FIG. 8 is a bottom plan view thereof. FIG. 9 is a top perspective view of a second embodiment of a beverage container showing our new design. FIG. 10 is a bottom perspective view thereof. FIG. 11 is a front elevational view thereof. FIG. 12 is a left side elevational view thereof. FIG. 13 is a right side elevational view thereof. FIG. 14 is a rear elevational view thereof. FIG. 15 is a top plan view thereof; and, FIG. 16 is a bottom plan view thereof. The broken lines depict portions of the beverage container that form no part of the claimed design. The dot-dash broken lines depict a boundary line, and form no part of the claimed design. The areas within the dot-dash broken lines form no part of the claimed design.

**1 Claim, 14 Drawing Sheets**



US D952,408 S

(58) Field of Classification Search

USPC ..... D7/501-505, 507, 509-516, 520, D7/522-525, 528, 529, 531, 532, 533, D7/536, 537, 543, 608, 619.2, 620, 623, D7/624.1, 624.2, 624.3, 636, 900; D9/436, 447, 449, 500, 516, 517, 531, D9/539, 549, 551, 575, 780; D23/212; D24/197, 224
CPC ..... A47G 19/22; A47G 19/2205; A47G 19/2211; A47G 19/2222; A47G 19/2227; A47G 19/2266; A47G 19/2272; A47G 19/2288; A47G 21/18; A47G 21/184; A47G 21/185; A47G 23/0216; A47G 23/0241; A47G 23/0258; A47J 41/0077; A47J 41/0088; A47J 43/042; B65D 1/265; B65D 51/245; B65D 51/28; B65D 77/0493; B65D 81/3865

See application file for complete search history.

D863,875 S 10/2019 Briel
D903,421 S \* 12/2020 Wahl ..... D7/523
D930,429 S 9/2021 Wu

FOREIGN PATENT DOCUMENTS

CA 174998 S 6/2018
CN 302934865 \* 9/2014
CN 303124091 \* 3/2015
CN 303611373 \* 3/2016
CN 304436759 \* 1/2018
CN 304591537 \* 4/2018
DE M9207830-0004 \* 4/1993
GB 9008017875-0037 \* 6/2020
JP D1479693 \* 9/2013
JP D1507225 9/2014
JP D1576930 \* 5/2017
JP D1619020 \* 11/2018
JP D1646565 \* 11/2019
KR 300935135.0000 \* 12/2017
KR 300992131.0000 2/2019

(56) References Cited

U.S. PATENT DOCUMENTS

D402,556 S 12/1998 Frye
D417,360 S 12/1999 Bickert et al.
D445,640 S \* 7/2001 Cruz ..... D7/322
D500,343 S \* 12/2004 McRobbie ..... D20/28
D539,650 S 4/2007 Smith et al.
D556,576 S \* 12/2007 Webb ..... D9/500
D567,656 S 4/2008 Neias
D614,447 S 4/2010 Richau et al.
D622,103 S \* 8/2010 Gilbert ..... D7/510
D627,192 S 11/2010 Gilbert et al.
D628,906 S \* 12/2010 Fedusa ..... D9/776
D630,059 S \* 1/2011 Gilbert ..... D7/510
D636,634 S 4/2011 Kemper et al.
D649,402 S \* 11/2011 Gilbert ..... D7/510
D655,134 S \* 3/2012 Gilbert ..... D7/510
D658,059 S 4/2012 Bailey
D658,431 S 5/2012 Gilbert
D675,873 S \* 2/2013 Miller ..... D7/510
D686,040 S \* 7/2013 Lane ..... D7/608
D686,074 S 7/2013 Brinckerhoff et al.
D691,847 S 10/2013 Beckman
D696,073 S \* 12/2013 Miller ..... D7/510
D707,492 S \* 6/2014 George ..... D7/510
D729,586 S \* 5/2015 Nemeth ..... D7/523
D732,337 S 6/2015 Coon et al.
D734,096 S \* 7/2015 George ..... D7/523
D742,699 S \* 11/2015 Boroski ..... D7/608
D746,634 S \* 1/2016 Lapsker ..... D7/532
D753,950 S 4/2016 Feeley et al.
D754,485 S \* 4/2016 Lapsker ..... D7/532
D763,620 S 8/2016 Szymanski
9,462,904 B2 10/2016 Coon et al.
D789,140 S \* 6/2017 Joseph ..... D7/392.1
D807,746 S 1/2018 Fleming
D809,347 S \* 2/2018 Silsby ..... D7/608
D814,297 S 4/2018 Silsby et al.
D826,641 S 8/2018 Nickley et al.
D827,377 S \* 9/2018 Silsby ..... D7/510
D831,434 S \* 10/2018 Washburn ..... D7/608
D835,939 S 12/2018 Yee et al.
D846,344 S 4/2019 Lullie

OTHER PUBLICATIONS

House Smart, "Contigo TwistSeal Glaze Vacuum-Insulated Stainless Steel Travel Mug with Ceramic Coating," Jan. 11, 2017, www.amazon.com/Contigo-Vacuum-Insulated-Stainless-TwistSeal-Travel/dp/B01N9QQKNR (Year: 2017).\*
General Wholesale Warehouse, "Rubbermaid Leak Proof Flip Lid Thermal Bottle," Nov. 13, 2017, Amazon.com, www.amazon.com/Rubbermaid-Proof-Thermal-Bottle-Nautical/dp/B077FRBWJP (Year: 2017).\*
John Lin, "Ultimate cleaning guide: Stanley One Hand Classic Vacuum Travel Insulated Mug," Jan. 21, 2018, YouTube, www.youtube.com/watch?v=UWhwEL2klhU (Year: 2018).\*
Amazon.com, "Simple Modern Tumbler, Water Bottle Lid Replacement," May 5, 2018, Amazon.com, www.amazon.com/Simple-Modern-Twist-Lid-Internally/dp/B078K5D4VH (Year: 2018).\*
Stanley, "Stanley NeverLeak Travel Mug," Jan. 20, 2021, Amazon.co.uk, www.amazon.co.uk/Stanley-NeverLeak-Travel-Hammertone-Leakproof/dp/B08THL9S1G (Year: 2021).\*
Stanley, "Stanley The Quadvac NeverLeak Mug," Jan. 3, 2021, Amazon.com, www.amazon.com/Stanley-10-09967-002-The-Quadvac-NeverLeakMug/dp/B08RXTKZBQ (Year: 2021).\*
U.S. Appl. No. 29/719,769, filed Jan. 7, 2020.
U.S. Appl. No. 29/719,905, filed Jan. 8, 2020.
U.S. Appl. No. 29/719,916, filed Jan. 8, 2020.
U.S. Appl. No. 29/719,771, filed Jan. 7, 2020.
U.S. Appl. No. 29/719,923, filed Jan. 8, 2020.
Information Disclosure Statement Transmittal Letter filed herewith, dated Mar. 25, 2020, 2 pages.
4Imprint USA, "Venti Tumbler," 4imprint USA, www.4imprint.com/product/105558, Apr. 2011, 2 pages.
Noe, "How Lid Design Changes in 1967, 75, and 84 Led us to Drink Coffee On-the-Go," Core77, www.core77.com/posts/92200/How-Lid-Design-Changes-in-1967-75-and-84-Led-Us-to-Drink-Coffee-On-the-Go, 2020, 24 pages.
Pacific Market International, "Stanley Neverleak-Taza de viaje de 0,35l," Amazon.com, www.amazon.com/dp/B08THQPZP1?th=1, Jan. 31, 2021, 2 pages.
CM Tactical & Outdoor Shop, "Stanley never leak," YouTube, www.youtube.com/watch?v=3KReU8vzcyg, Apr. 29, 2021, 1 page.

\* cited by examiner

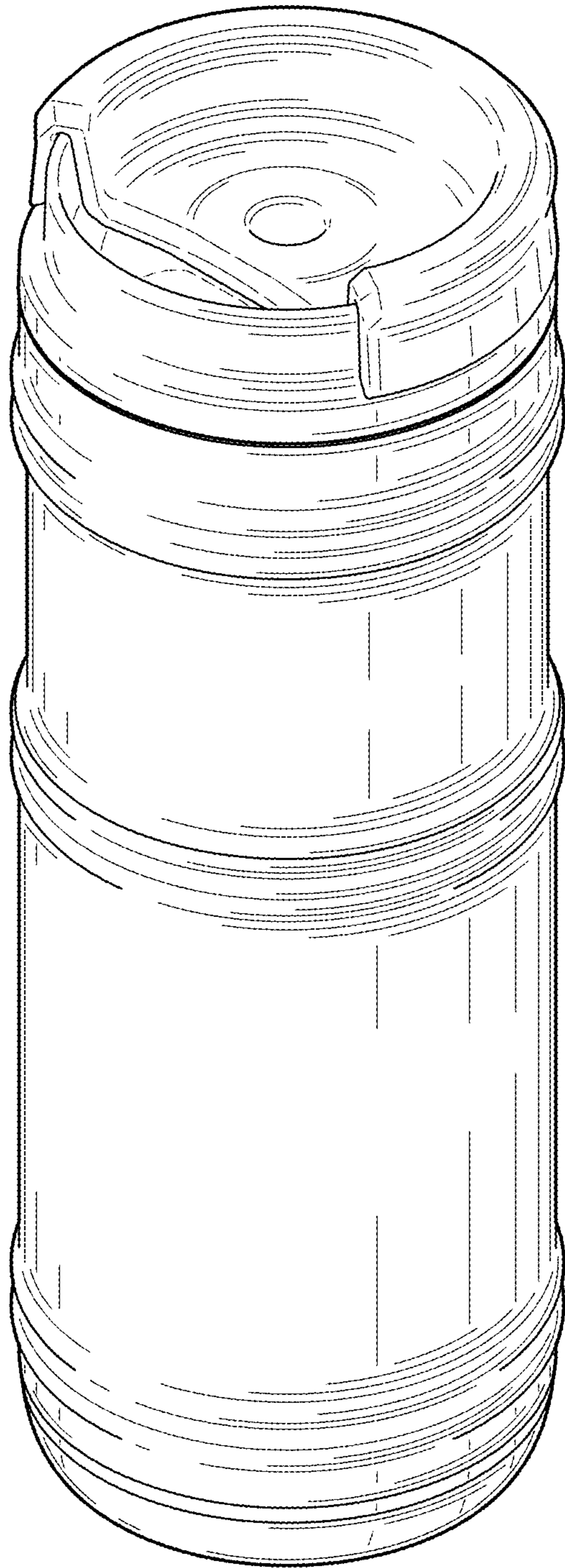


FIG. 1

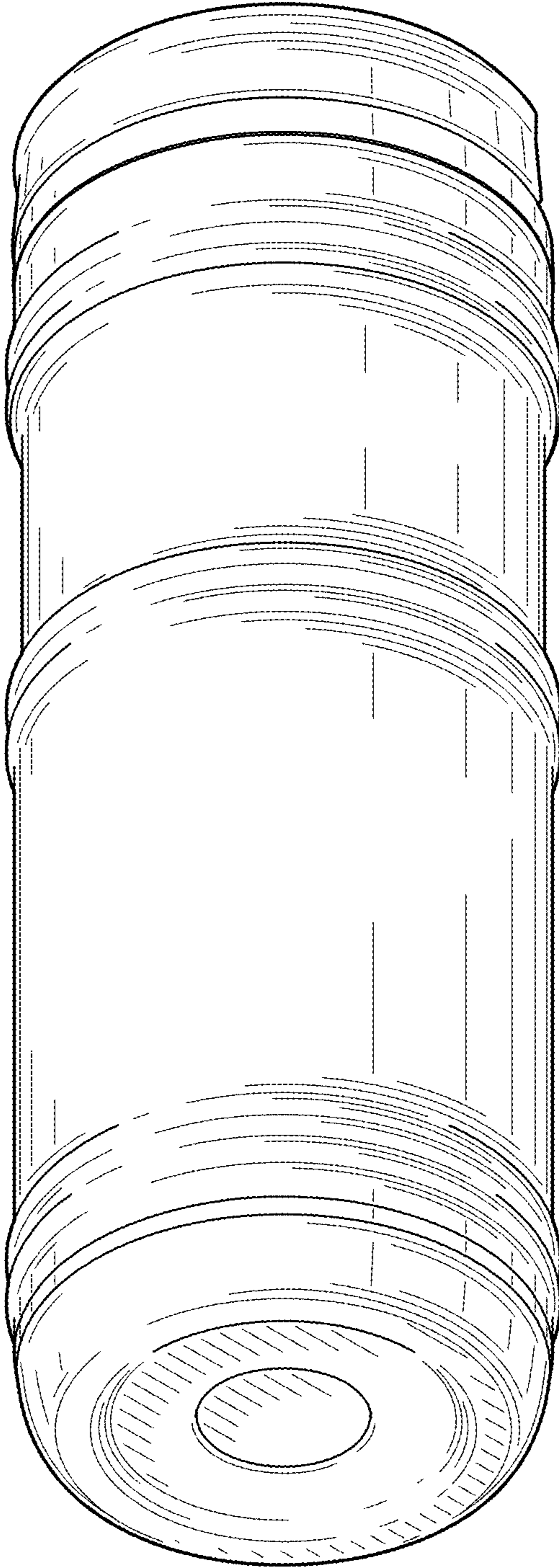


FIG. 2

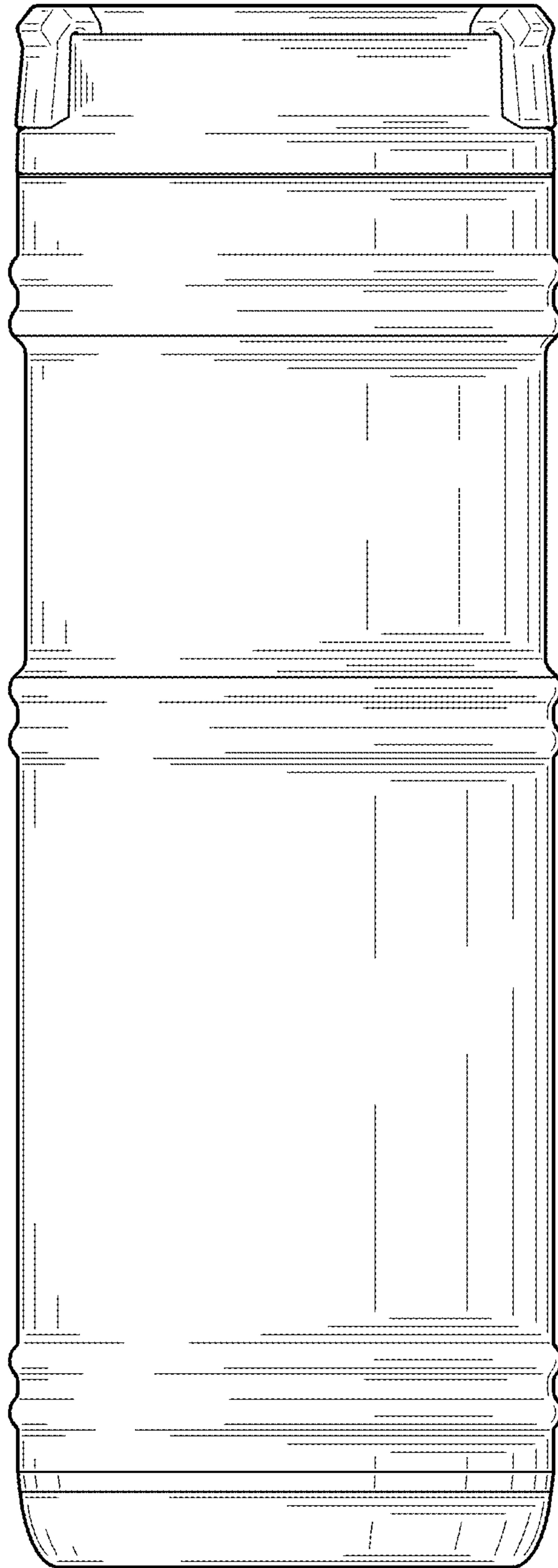


FIG. 3

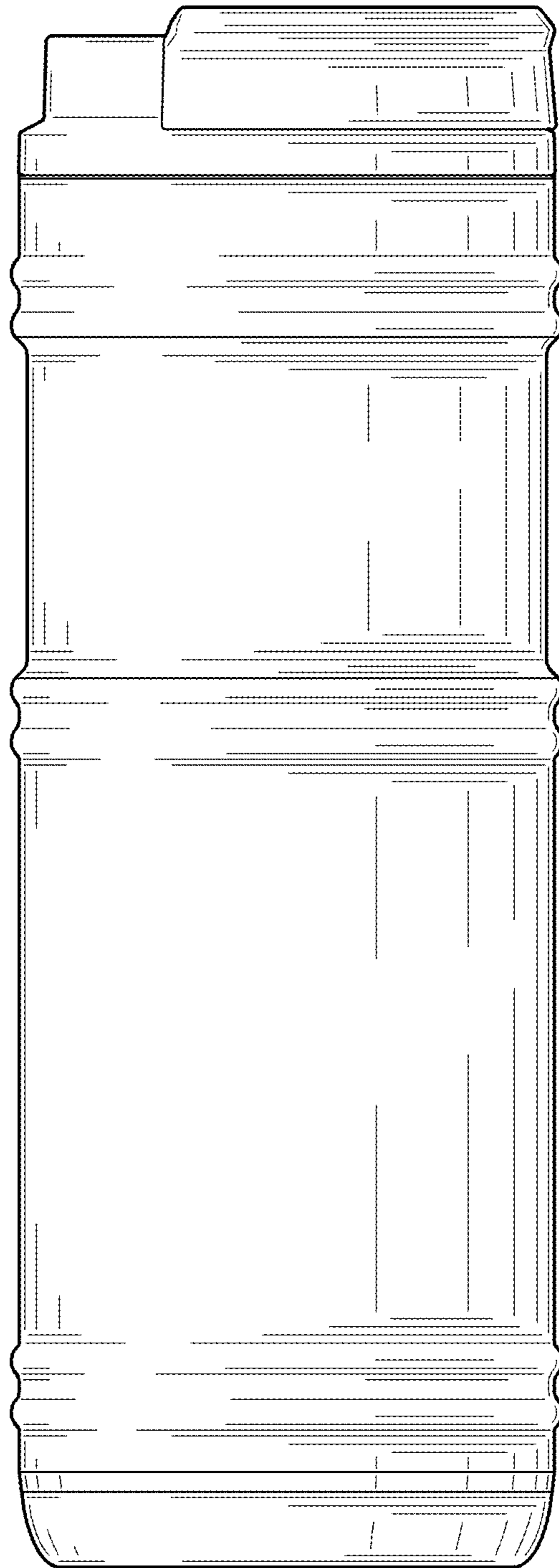


FIG. 4

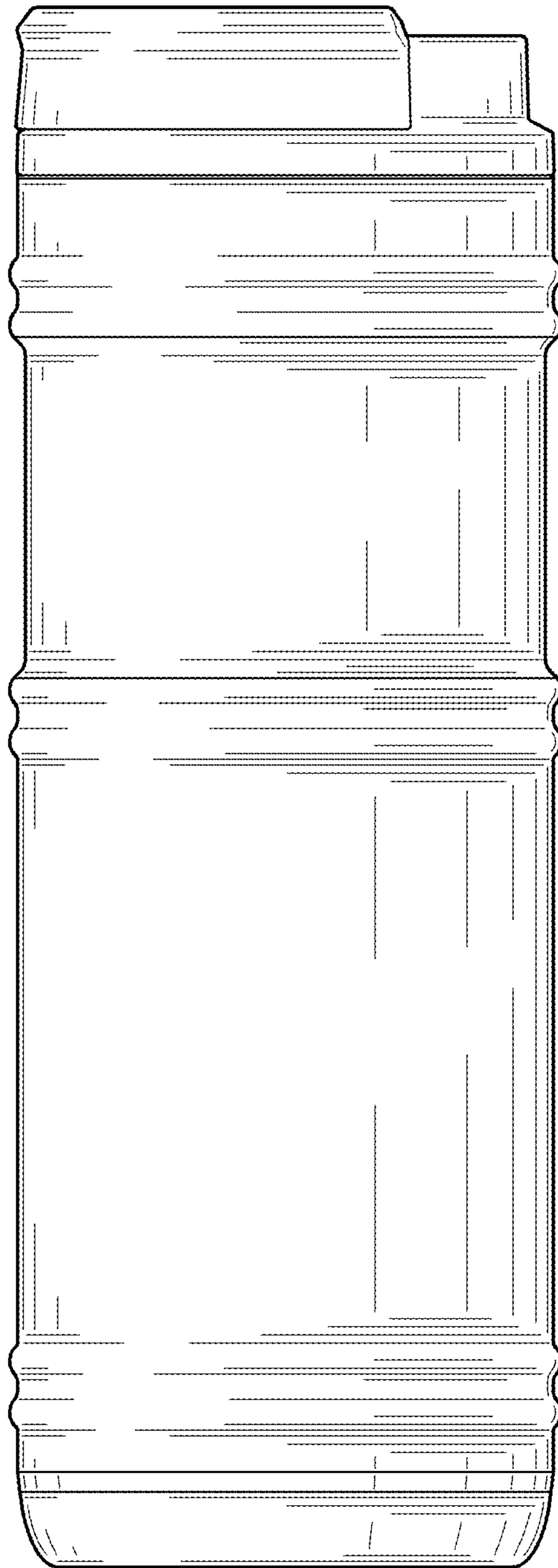


FIG. 5

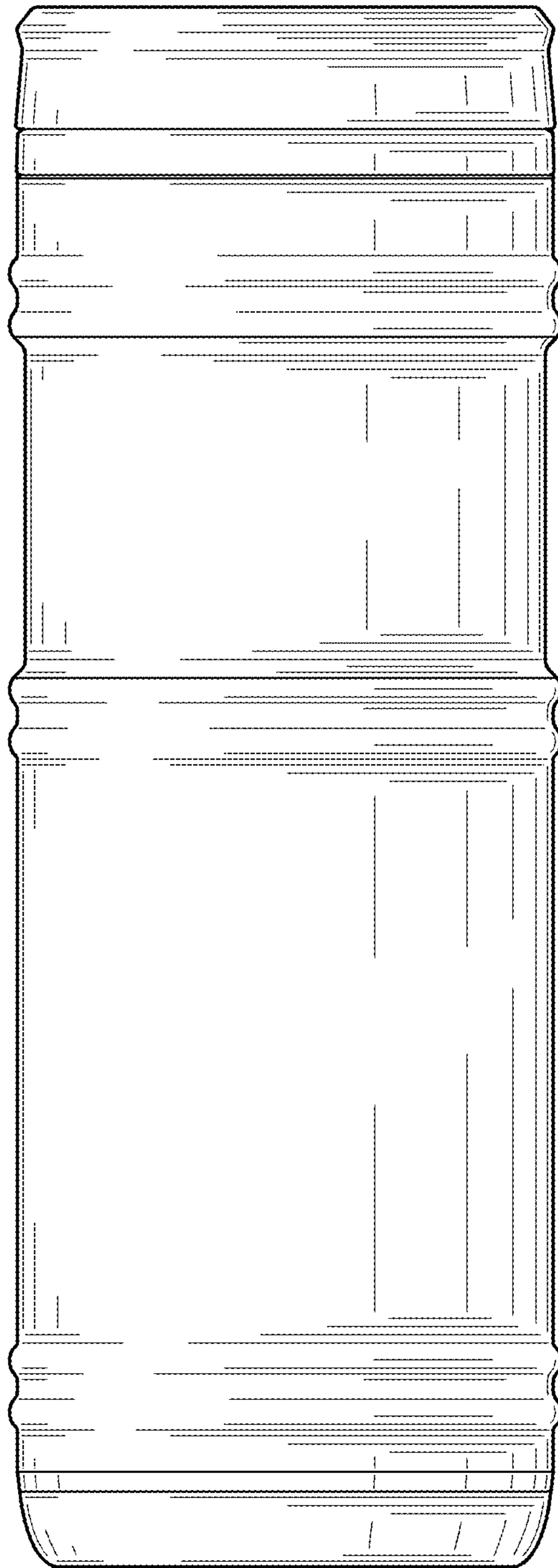


FIG. 6



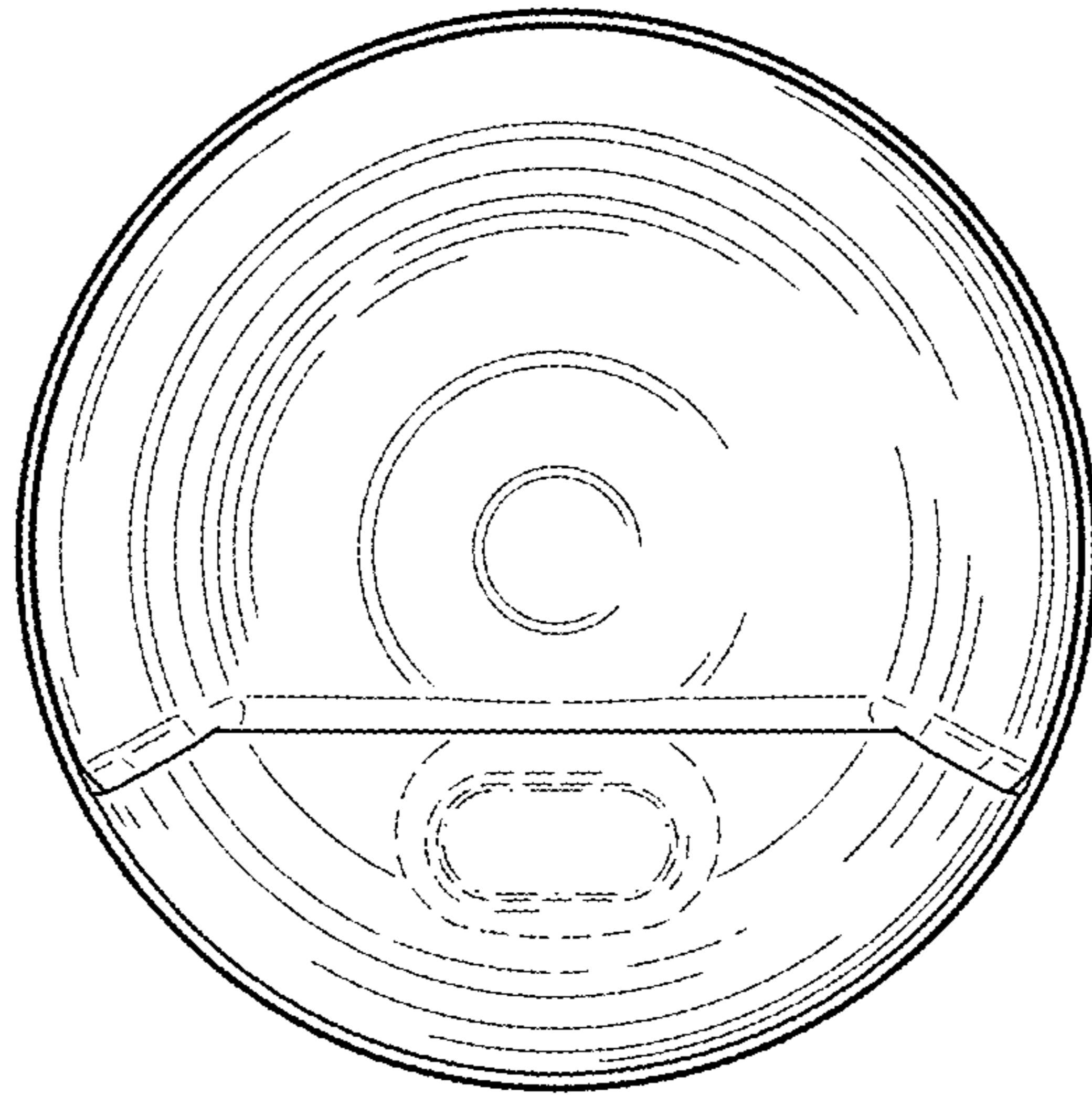


FIG. 7

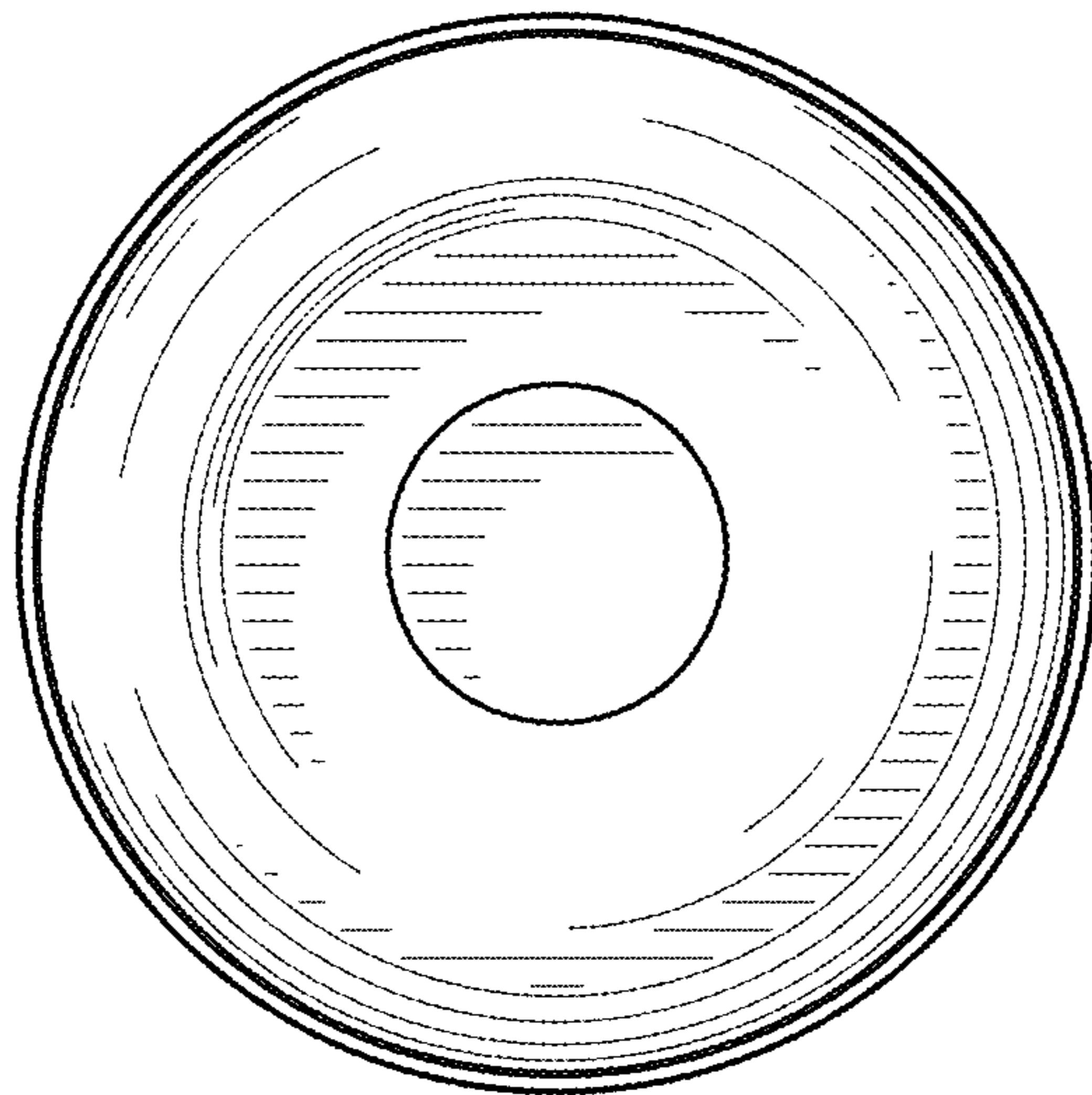


FIG. 8

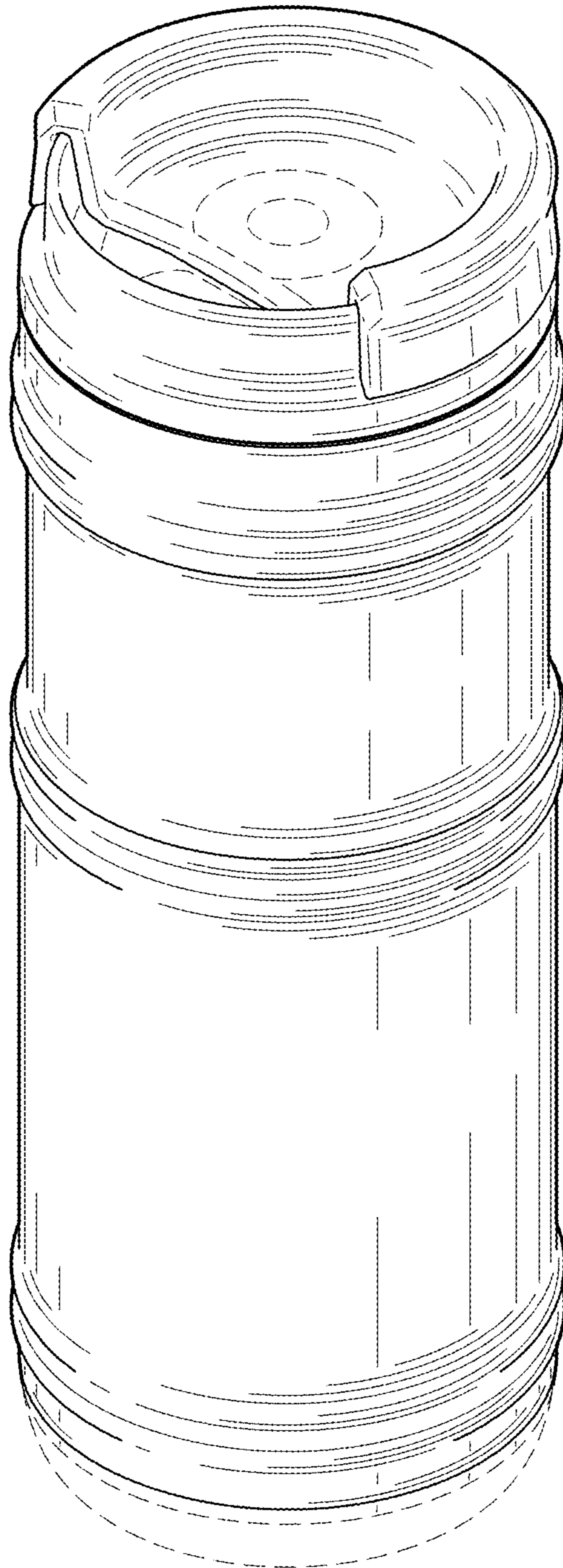


FIG. 9

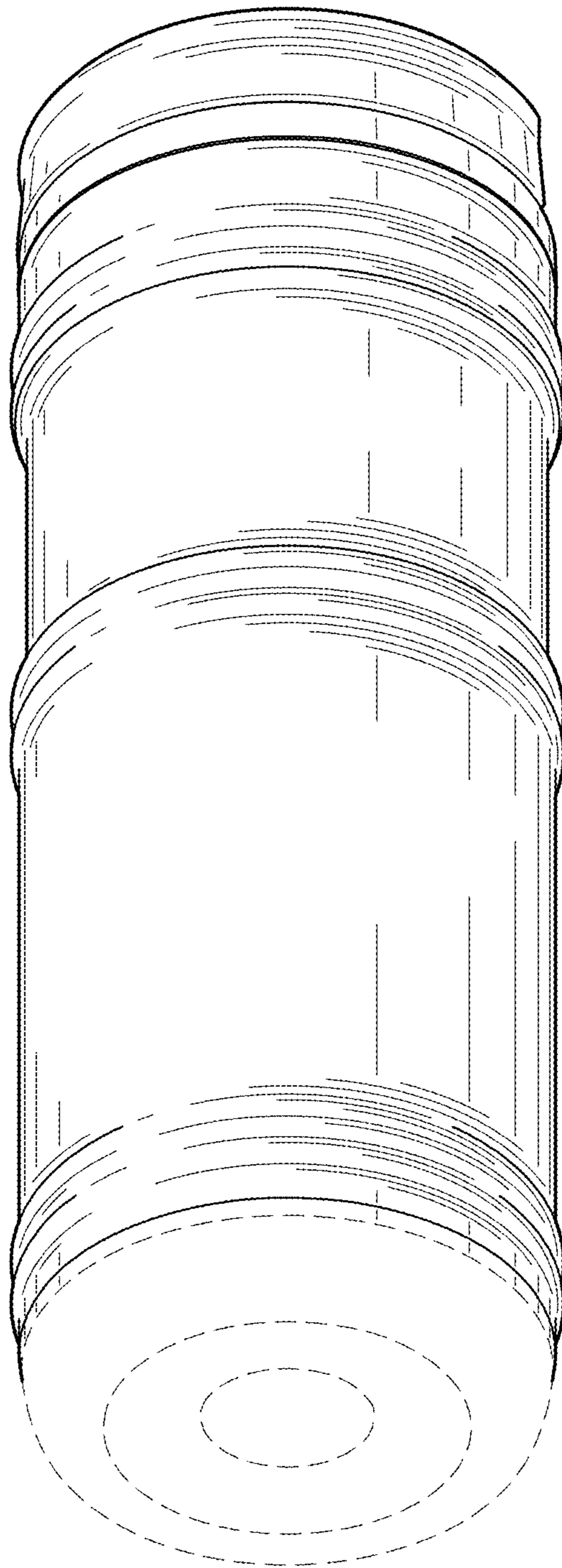


FIG. 10

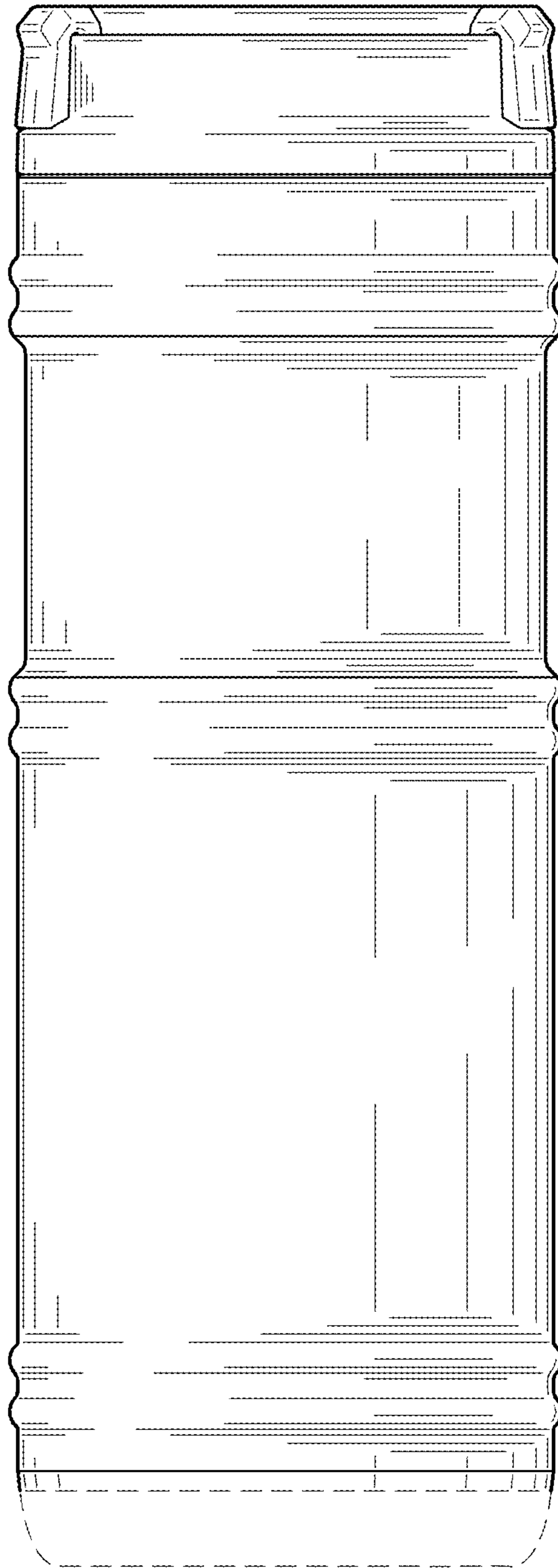


FIG. 11

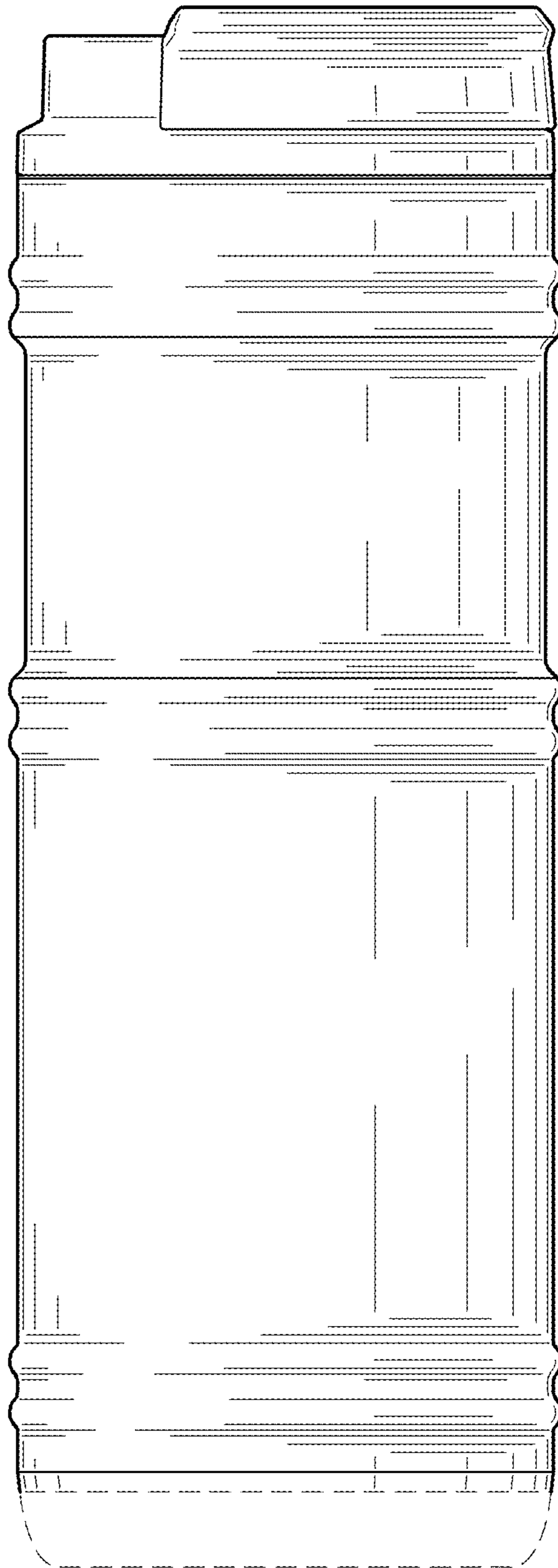


FIG. 12

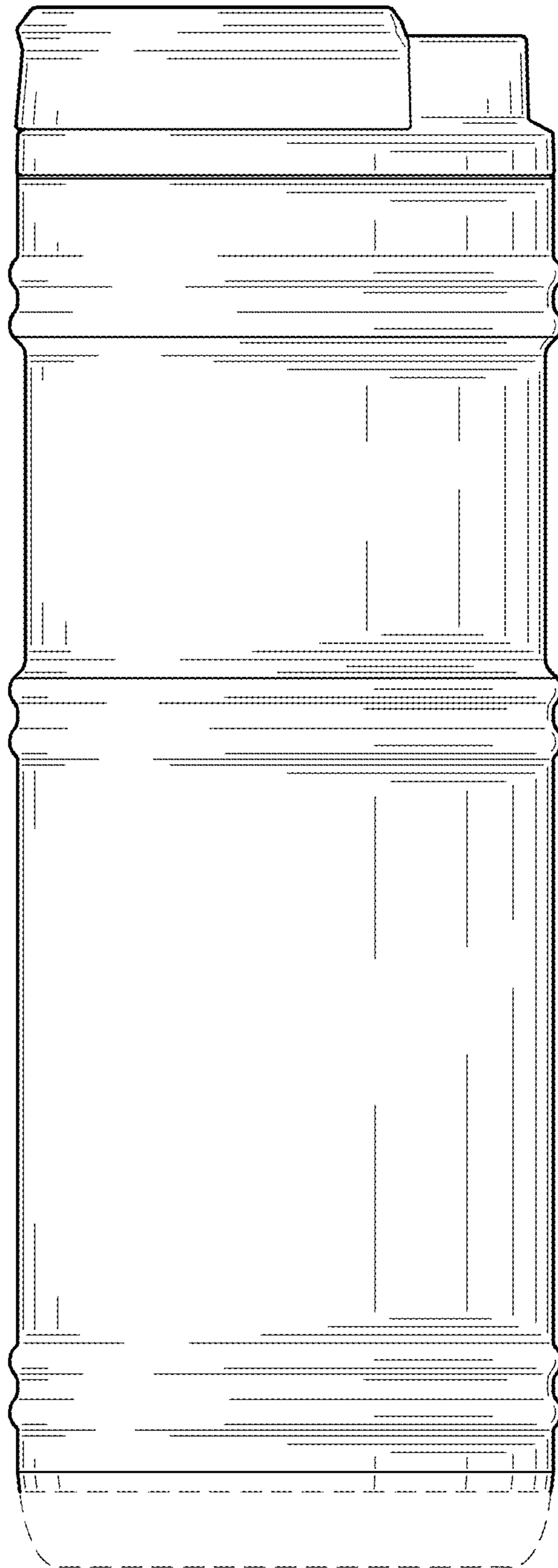


FIG. 13

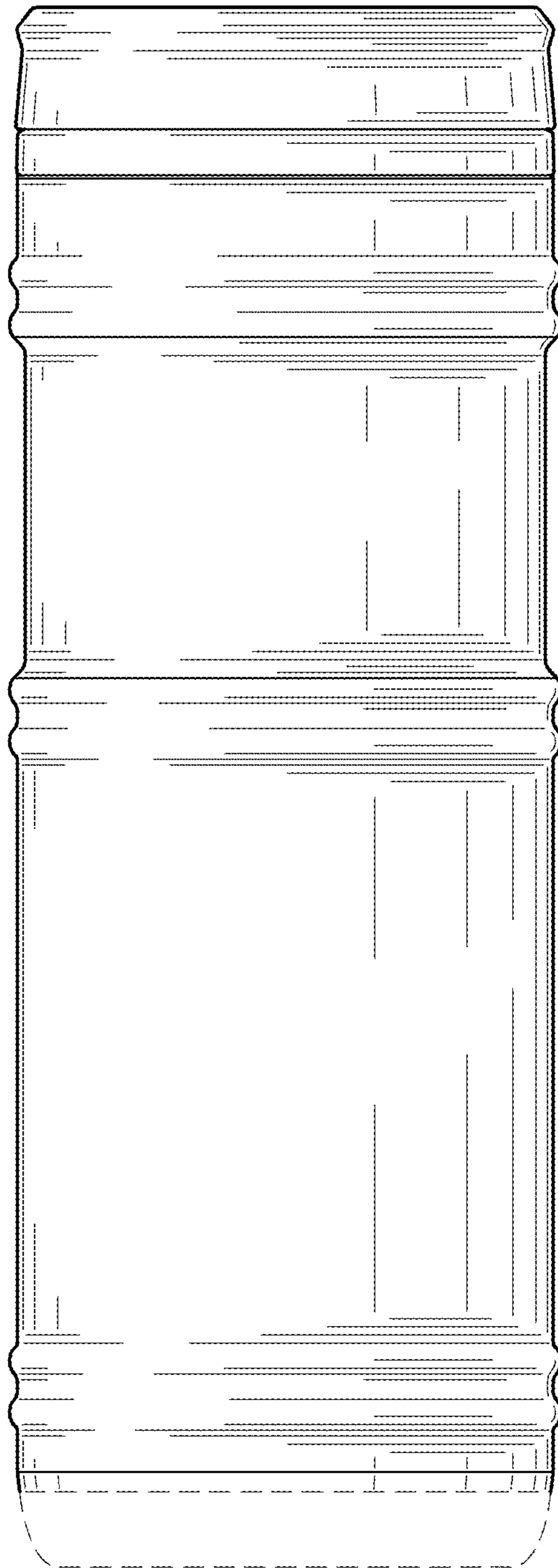


FIG. 14

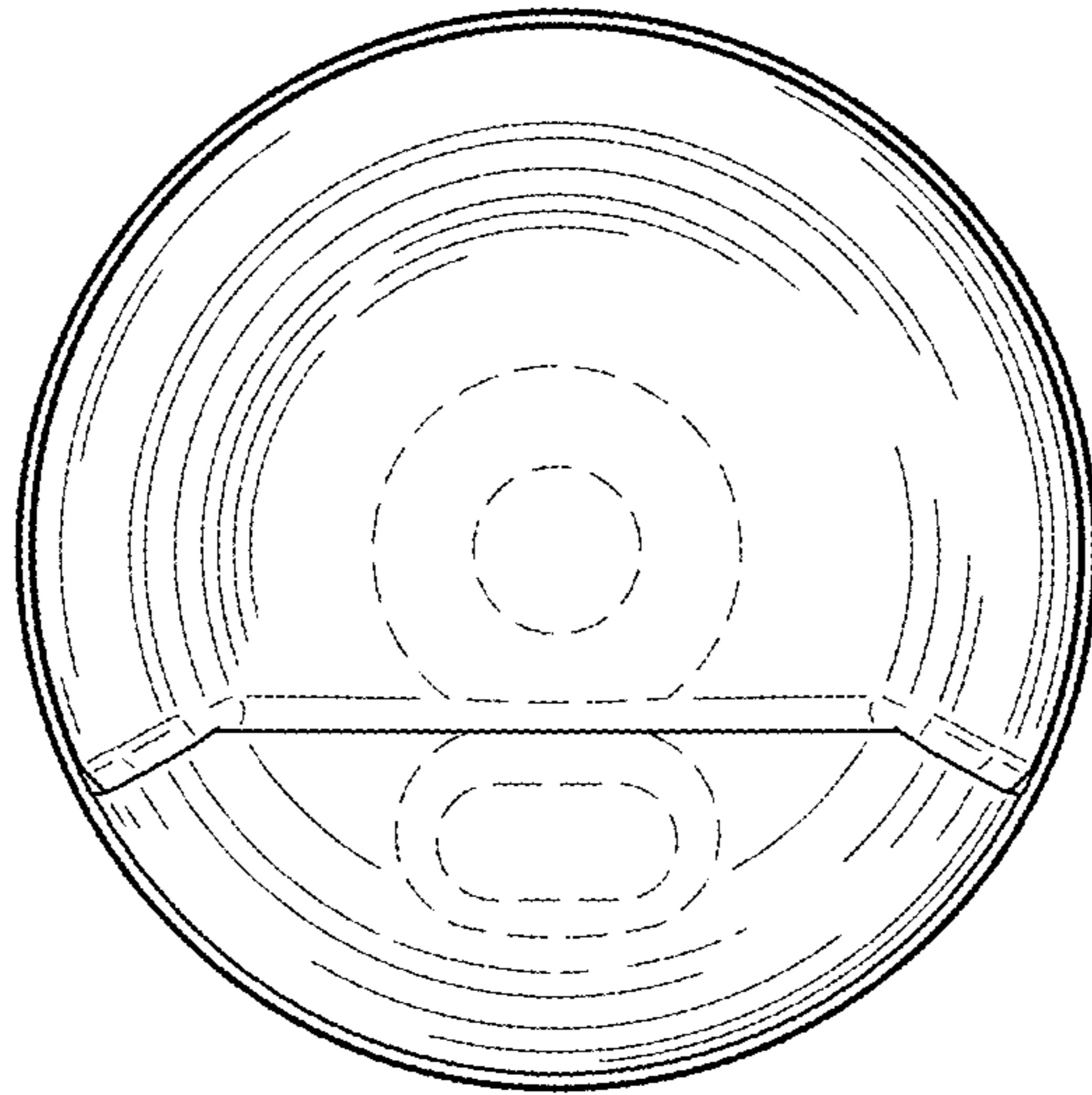


FIG. 15

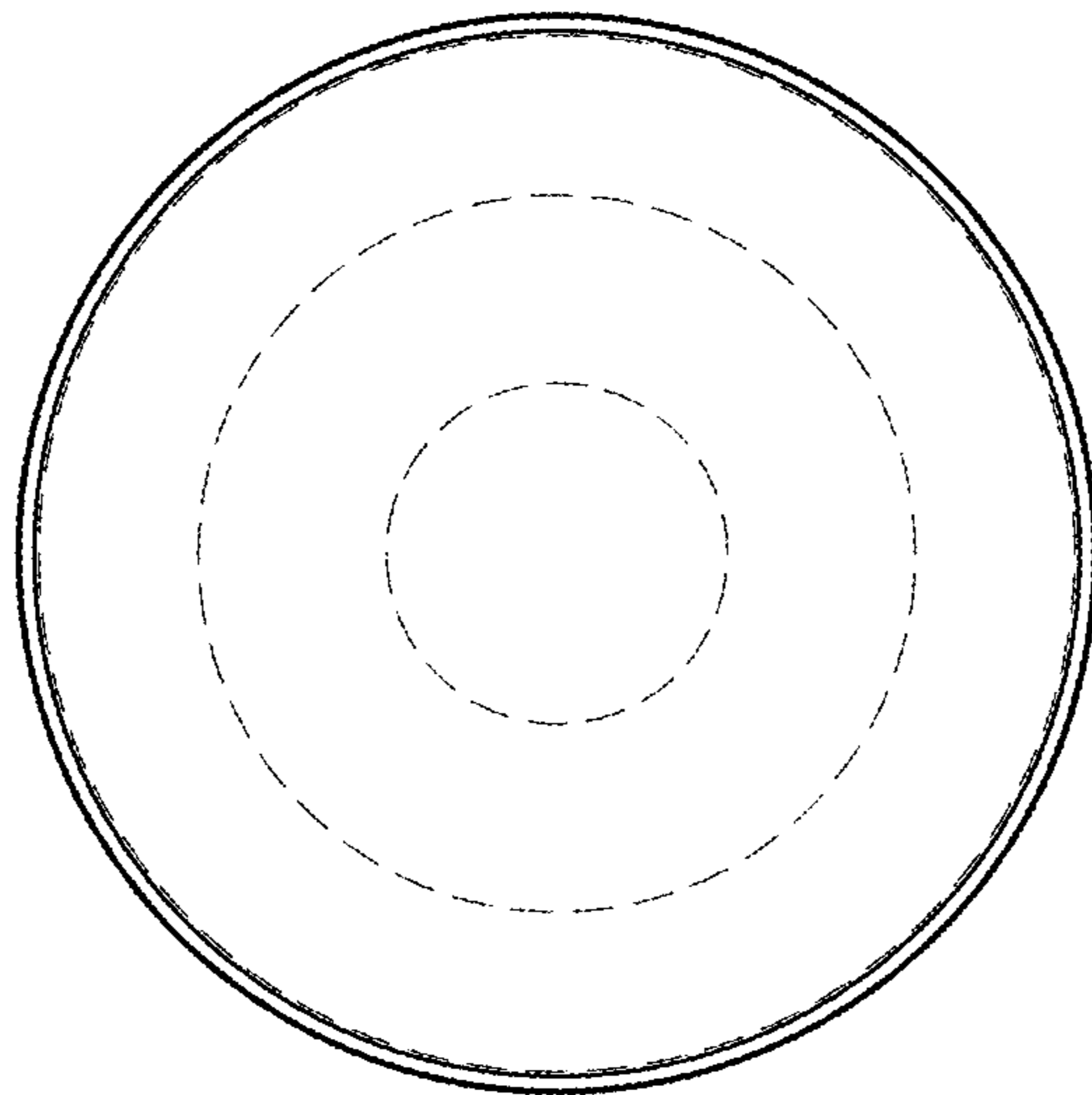


FIG. 16