



US00D952404S

(12) **United States Design Patent** (10) **Patent No.:** **US D952,404 S**  
**Zhou** (45) **Date of Patent:** **\*\* May 24, 2022**

(54) **WATER BOTTLE**  
(71) Applicant: **UZ TECHNOLOGY (SHENZHEN) COMPANY LIMITED**, Shenzhen (CN)  
(72) Inventor: **Han Zhou**, Shenzhen (CN)  
(73) Assignee: **UZ TECHNOLOGY (SHENZHEN) COMPANY LIMITED**, Shenzhen (CN)  
(\*\*) Term: **15 Years**  
(21) Appl. No.: **29/764,613**  
(22) Filed: **Dec. 31, 2020**  
(51) **LOC (13) Cl.** ..... **07-01**  
(52) **U.S. Cl.**  
USPC ..... **D7/509; D7/531**  
(58) **Field of Classification Search**  
USPC ..... D7/507, 509, 510, 511, 523, 533, 536, D7/392.1, 396.1, 396.2, 608, 300.1, 598, D7/600, 532, 900; D9/443, 446, 449, D9/535, 516, 549; D3/202; D29/125, D29/126; 220/713, 715  
CPC ..... A47G 19/2205; A47G 23/16; A47G 19/2272; A47J 41/00; A47J 41/02; A47J 41/0088; A47J 41/0077; Y10S 220/903; B65D 21/02; B65D 43/00; B65D 41/00  
See application file for complete search history.

D743,269 S \* 11/2015 Papé ..... D9/550  
D745,408 S \* 12/2015 Koop ..... D9/550  
D800,501 S \* 10/2017 Rummel ..... D7/509  
D836,397 S \* 12/2018 Silsby ..... A47J 19/023  
D7/300.1  
D863,888 S \* 10/2019 Meyers ..... D7/378  
D875,535 S \* 2/2020 Schlies ..... D9/557  
(Continued)

**FOREIGN PATENT DOCUMENTS**

CN 305214927 \* 6/2019  
CN 306160023 \* 11/2020  
(Continued)

**OTHER PUBLICATIONS**

Helimix [online] URL: <https://www.amazon.com/dp/B078KCYLZF>  
(site visited: Mar. 16, 2022) (Year: 2017).\*  
(Continued)

*Primary Examiner* — Jae Liang  
*Assistant Examiner* — Tia Ruth-Renee Polidori

(57) **CLAIM**

The ornamental design for a water bottle, as shown and described.

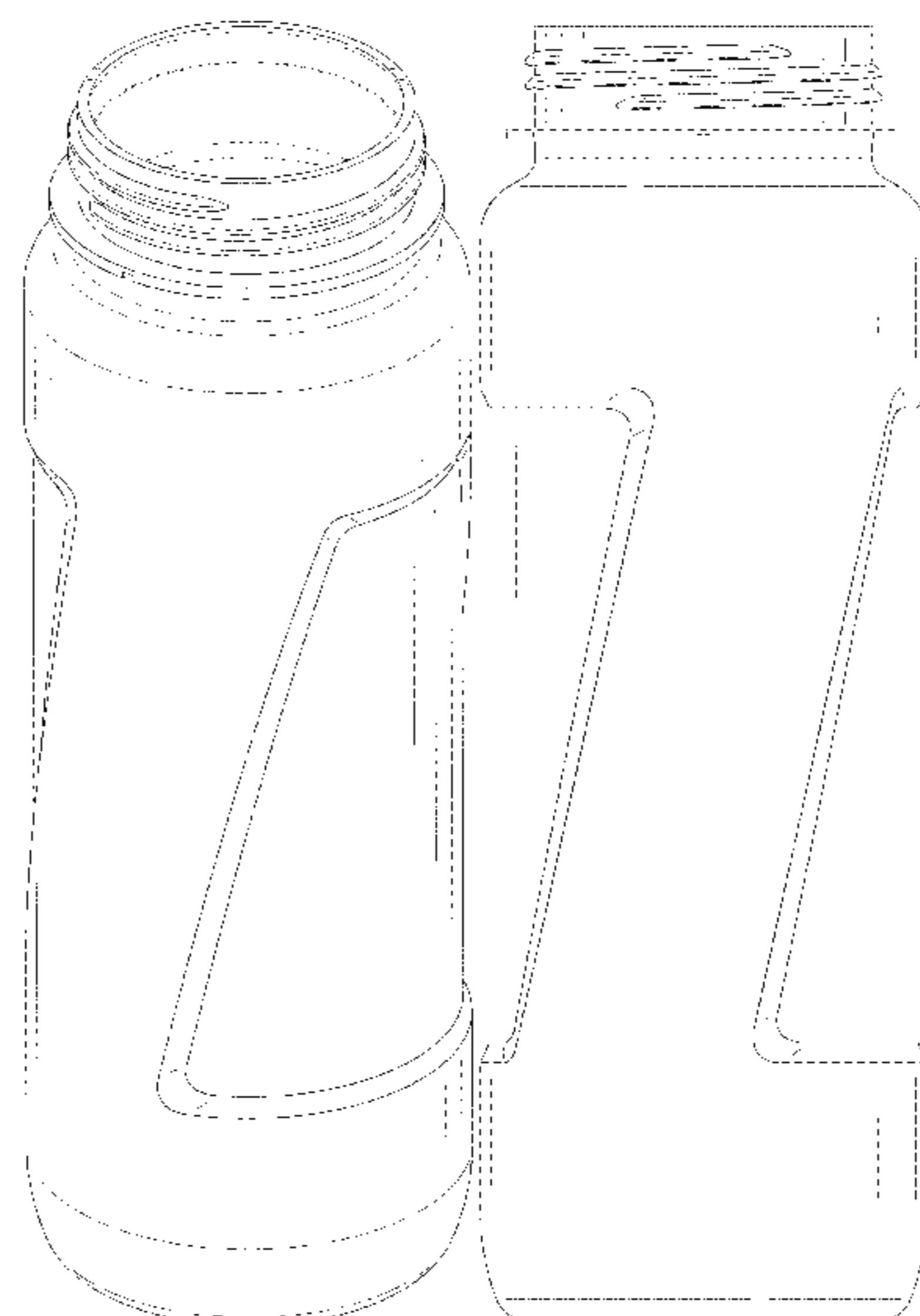
**DESCRIPTION**

FIG. 1 is a top perspective view of my new design for a water bottle;  
FIG. 2 is a bottom perspective view thereof;  
FIG. 3 is a front elevational view thereof;  
FIG. 4 is a rear elevational view thereof;  
FIG. 5 is a left side elevational view thereof;  
FIG. 6 is a right side elevational view thereof;  
FIG. 7 is a top plan view thereof; and,  
FIG. 8 is a bottom plan view thereof.  
The broken lines in the drawings depict portions of the water bottle that form no part of the claimed design.

**1 Claim, 8 Drawing Sheets**

(56) **References Cited**  
**U.S. PATENT DOCUMENTS**

D571,153 S \* 6/2008 Lopez ..... D7/510  
D644,107 S \* 8/2011 Hirst ..... D9/449  
8,186,528 B2 \* 5/2012 Melrose ..... B65D 79/0084  
215/381  
D675,329 S \* 1/2013 Berkovitch ..... D24/197  
D690,162 S \* 9/2013 Staton ..... D9/530  
D713,201 S \* 9/2014 Rees ..... D7/509  
D718,089 S \* 11/2014 Rees ..... D7/509



(56)

**References Cited**

U.S. PATENT DOCUMENTS

D878,155 S \* 3/2020 Peng ..... D7/532  
D914,456 S \* 3/2021 Lin ..... D7/511  
D925,994 S \* 7/2021 Wadsworth ..... D7/624.2  
D930,438 S \* 9/2021 Zhang ..... D7/511  
2017/0305640 A1\* 10/2017 Thompson ..... B65D 77/0493  
2021/0061523 A1\* 3/2021 Bytheway ..... F16B 35/047

FOREIGN PATENT DOCUMENTS

CN 306265651 \* 1/2021  
CN 306783485 \* 8/2021  
JP D1638696 \* 8/2019

OTHER PUBLICATIONS

AIRON [online] URL: <https://www.amazon.com/AIRON-34oz-Sports-Water-Bottle/dp/B08X9Y85CB> (site visited: Mar. 16, 2022) (Year: 2021).\*

UZSPACE [online] URL: <https://www.amazon.com/UZSPACE-Sports-Plastic-Portable-Detachable/dp/B08V15WFFC> (site visited: Mar. 16, 2022) (Year: 2021).\*

\* cited by examiner

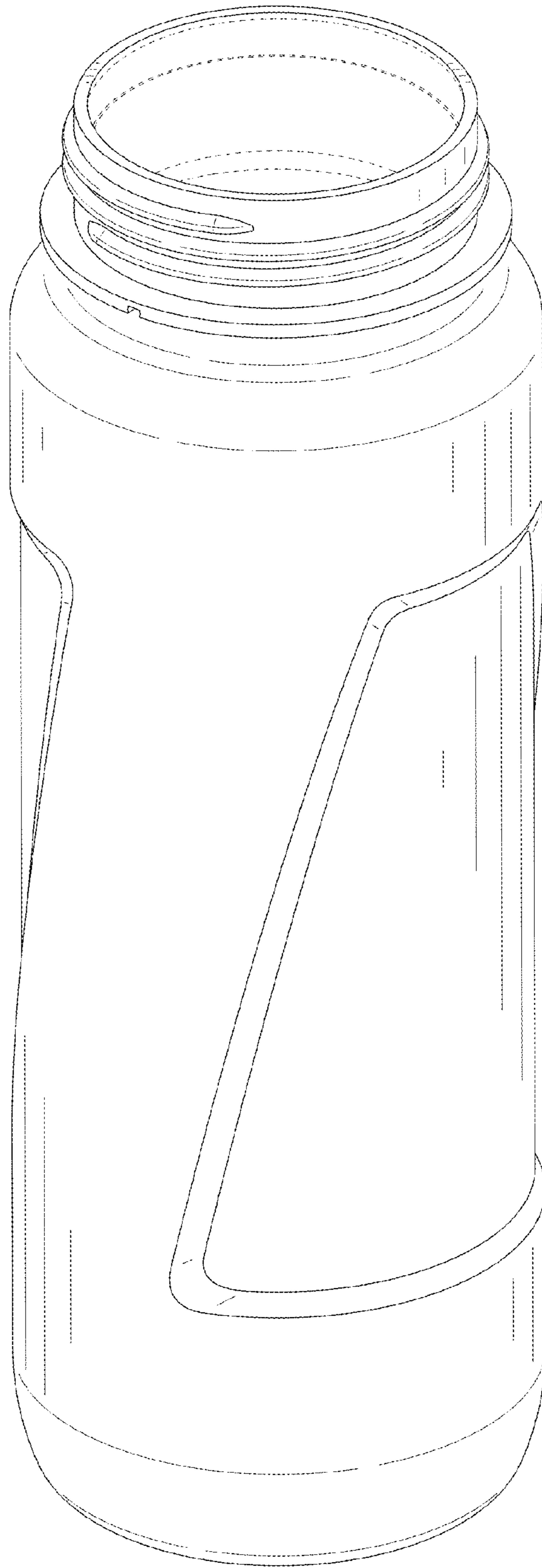


FIG. 1

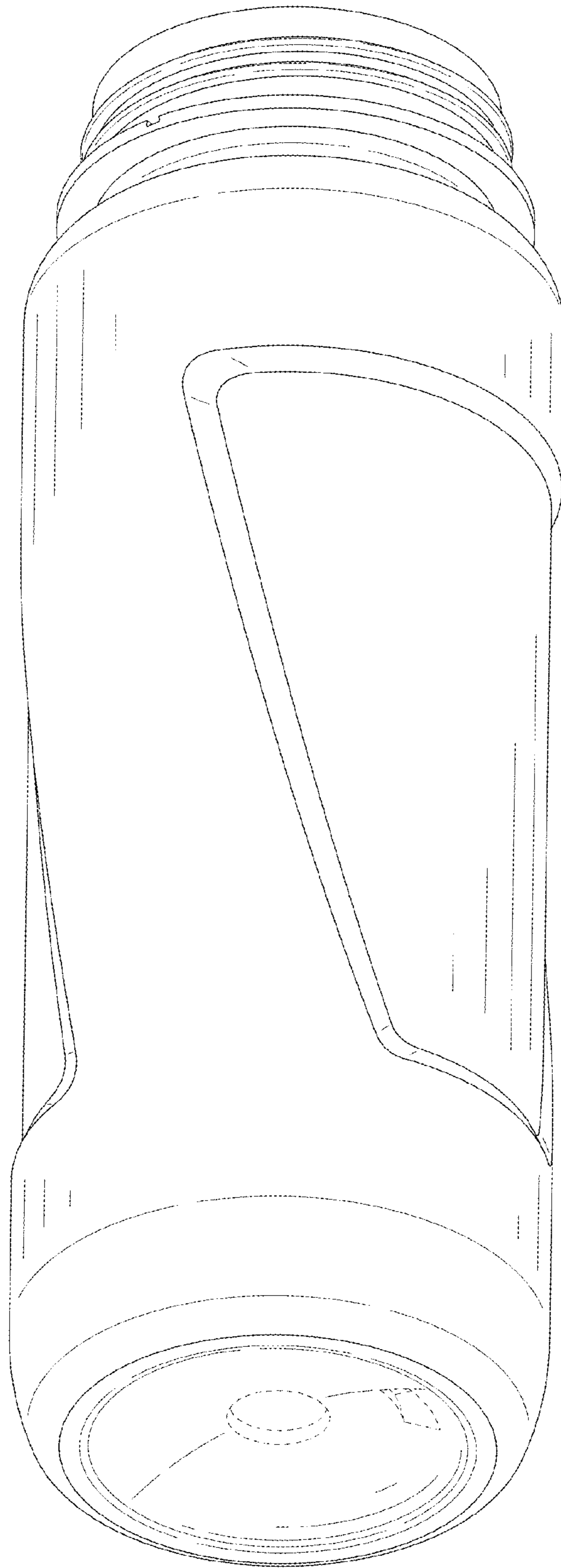


FIG. 2

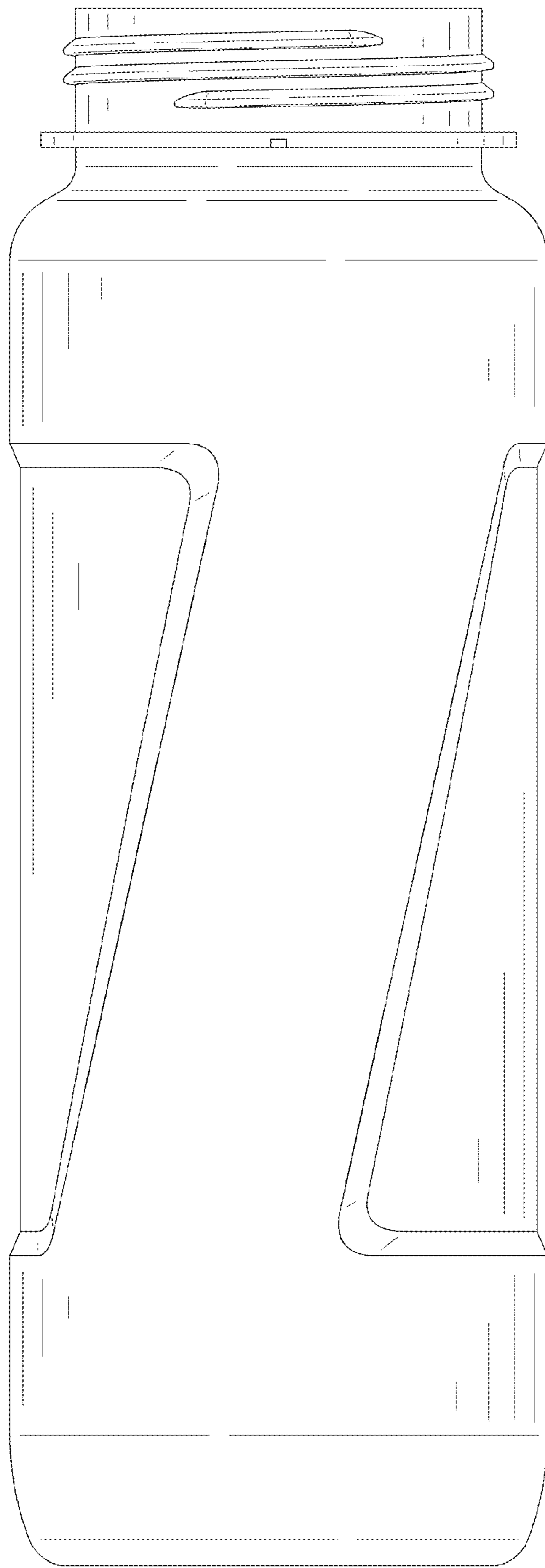


FIG. 3

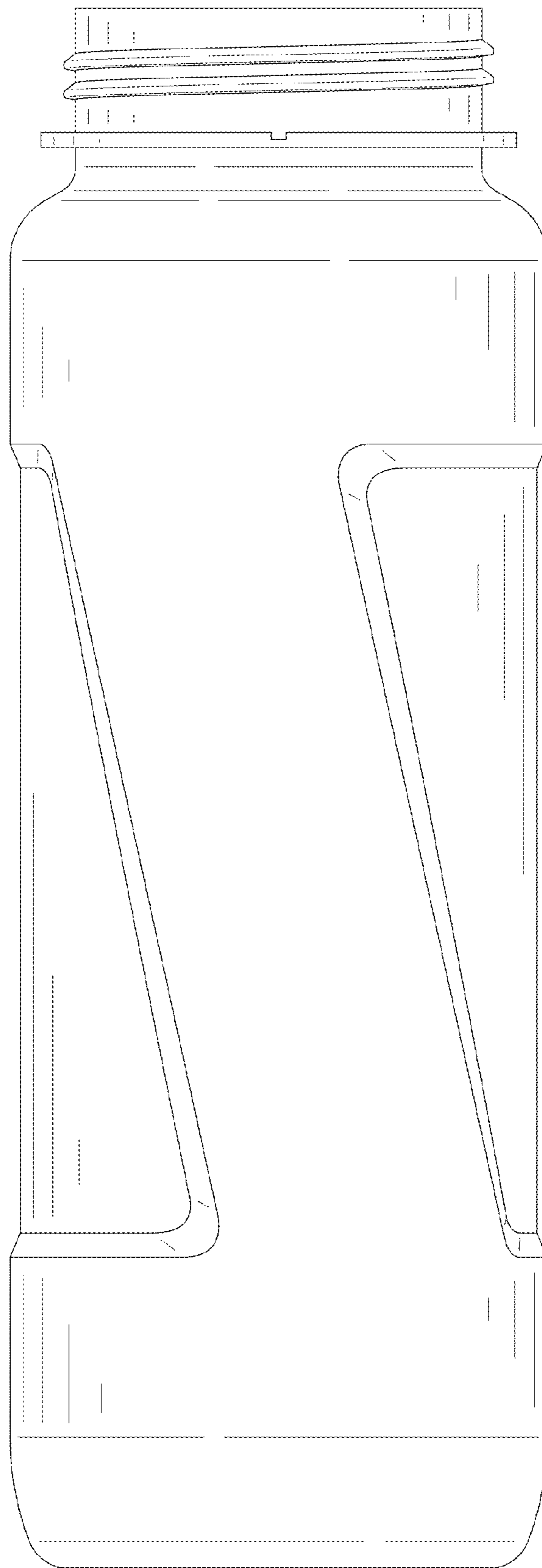


FIG. 4

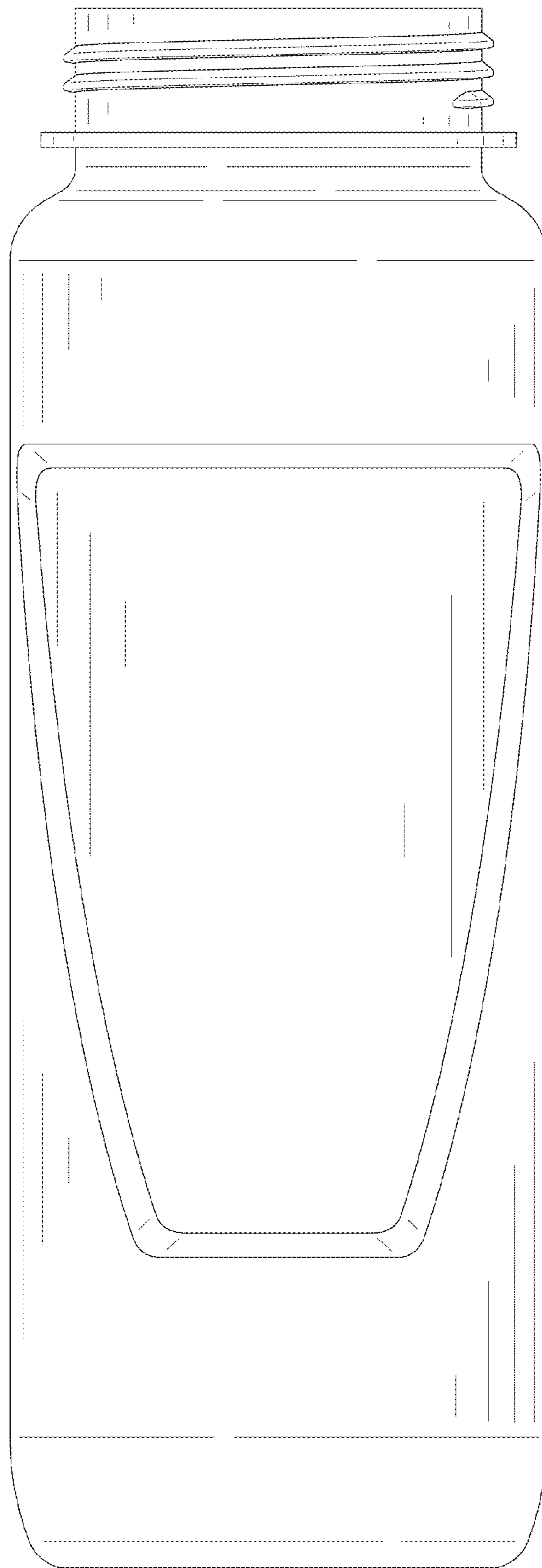


FIG. 5

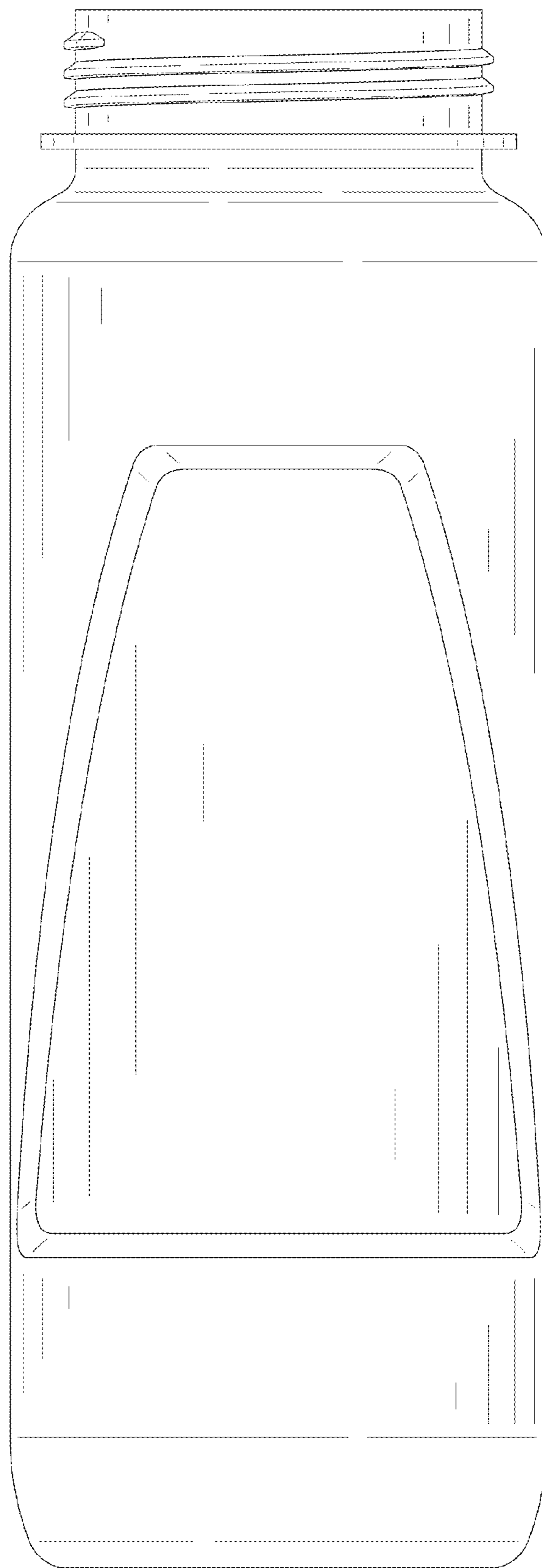


FIG. 6



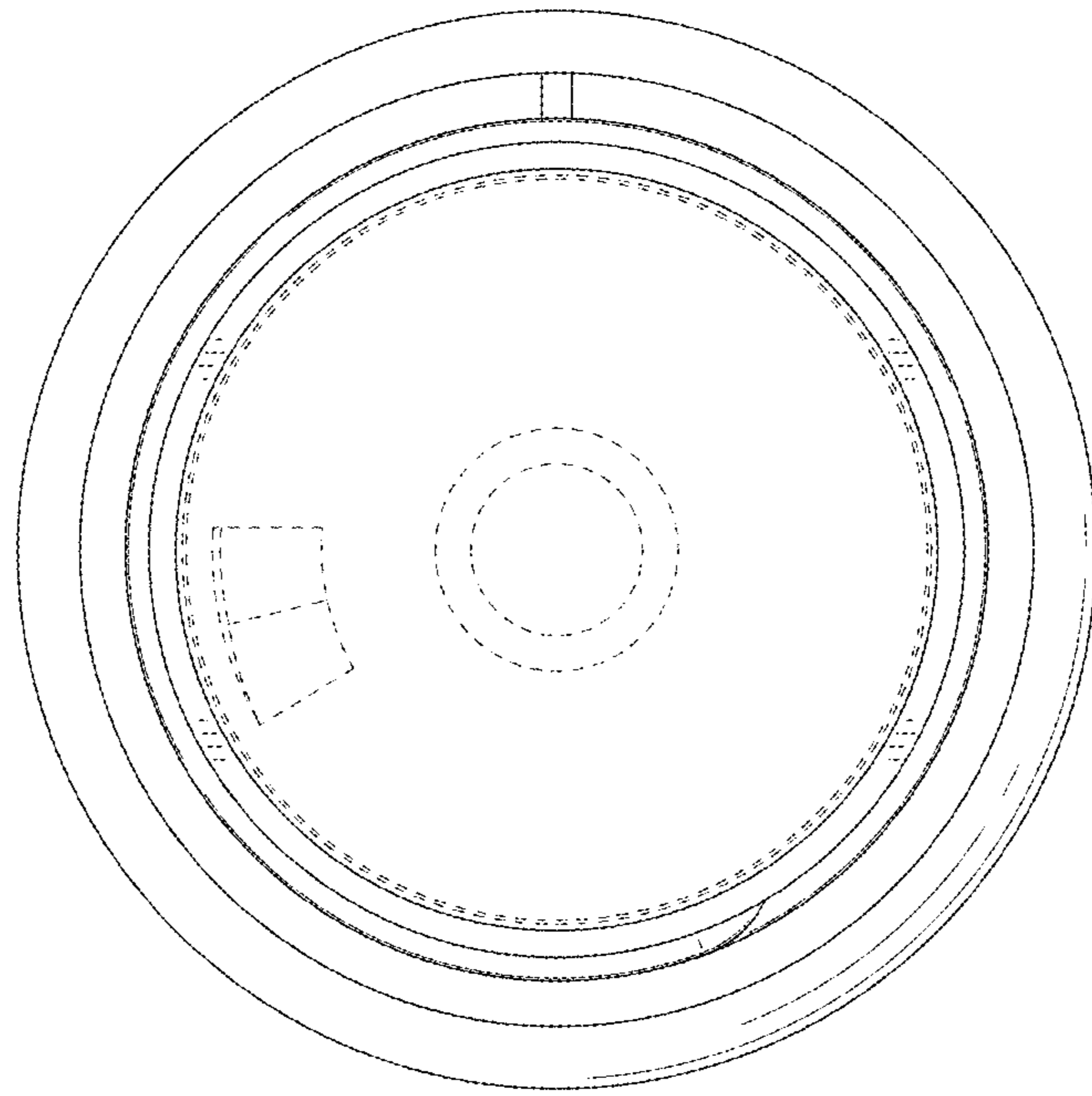


FIG. 7

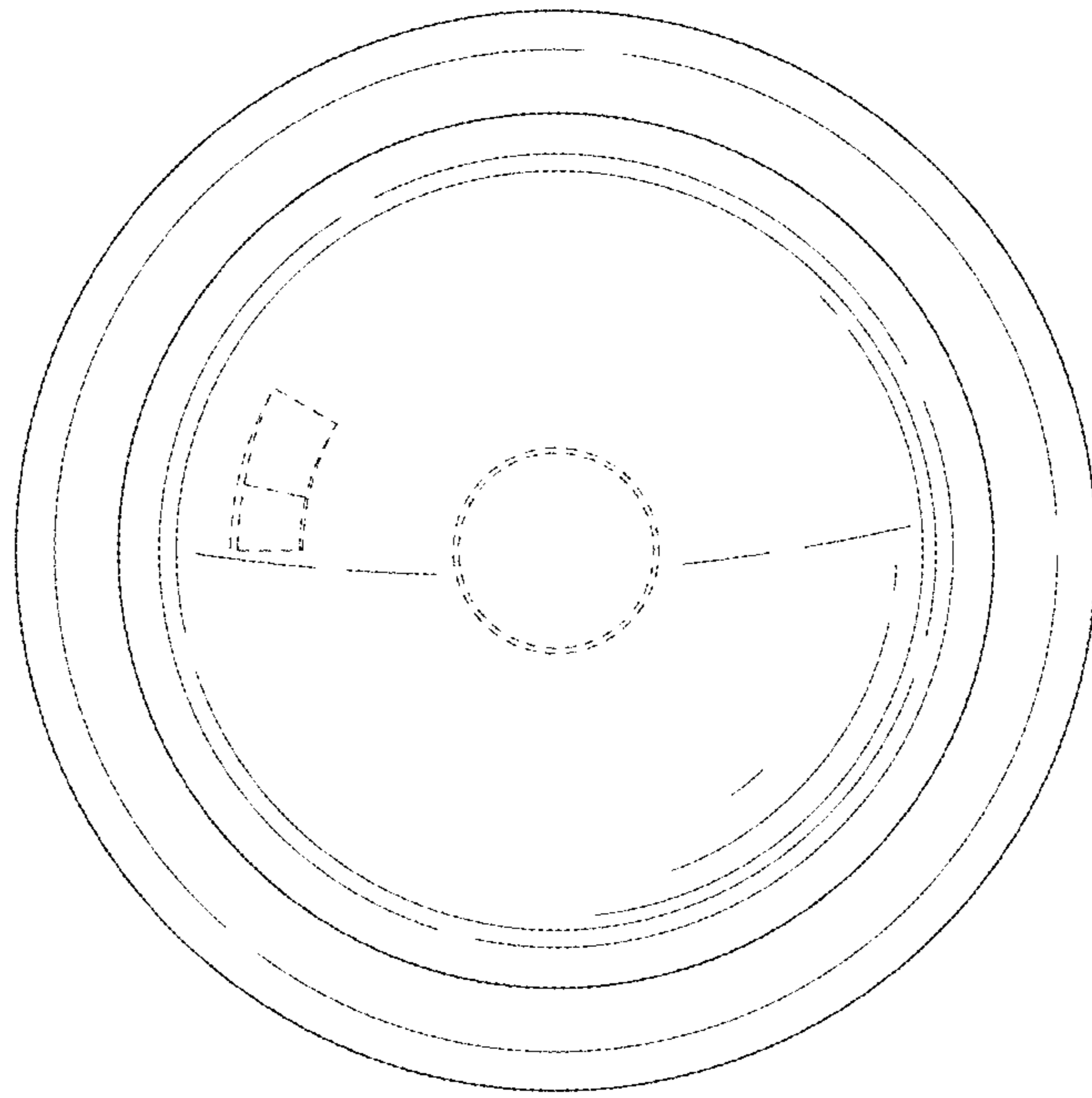


FIG. 8