



US00D952400S

(12) **United States Design Patent** (10) **Patent No.:** **US D952,400 S**
Kuempel et al. (45) **Date of Patent:** **** May 24, 2022**

(54) **COFFEE DRIPPER**

(71) Applicant: **Société des Produits Nestlé S.A.**,
Vevey (CH)

(72) Inventors: **Jeremy John Kuempel**, Brisbane, CA
(US); **Christopher William Ledesma**,
Arcadia, CA (US); **Thomas Drew
Carlson**, Oakland, CA (US); **Neil M.
Day**, Portola Valley, CA (US)

(73) Assignee: **SOCIÉTÉ DES PRODUITS NESTLÉ
S.A.**, Vevey (CH)

(**) Term: **15 Years**

(21) Appl. No.: **29/737,983**

(22) Filed: **Jun. 12, 2020**

Related U.S. Application Data

(63) Continuation of application No. 15/799,784, filed on
Oct. 31, 2017, now Pat. No. 10,709,283.

(60) Provisional application No. 62/416,643, filed on Nov.
2, 2016, provisional application No. 62/415,503, filed
on Oct. 31, 2016.

(51) **LOC (13) Cl.** **07-02**

(52) **U.S. Cl.**
USPC **D7/400**

(58) **Field of Classification Search**

USPC D7/300, 300.1, 309-312, 368, 369, 387,
D7/397-401, 412, 415, 500, 509, 533,
D7/536, 598, 602, 647, 665-667, 669,
D7/679, 692, 700; D8/1; D9/435, 436,
D9/443, 447; D15/150-152; D23/200;
D24/112; 141/297-300
CPC A47J 19/00; A47J 19/005; A47J 19/02;
A47J 19/023; A47J 19/027; A47J 27/60;
A47J 31/06; A47J 31/0626; A47J
31/0636; A47J 31/18; A47J 31/20; A47J
42/50

See application file for complete search history.

(56) **References Cited**

U.S. PATENT DOCUMENTS

3,418,916 A * 12/1968 Peirce A47J 31/06
99/305
D250,804 S * 1/1979 Nilsson A47J 31/06
D7/400

(Continued)

OTHER PUBLICATIONS

HIC Coffee Filter Cone, first available Jul. 3, 2016, Amazon,
[online], [site visited Nov. 19, 2021], Available from internet URL:
[https://www.amazon.com/HIC-Coffee-Filter-Number-1-Size/dp/
B01HXGDYMO](https://www.amazon.com/HIC-Coffee-Filter-Number-1-Size/dp/B01HXGDYMO) (Year: 2016).*

(Continued)

Primary Examiner — Mary Ann Calabrese

Assistant Examiner — Natalya M Rapundalo

(74) *Attorney, Agent, or Firm* — Finnegan, Henderson,
Farabow, Garrett & Dunner, LLP

(57) **CLAIM**

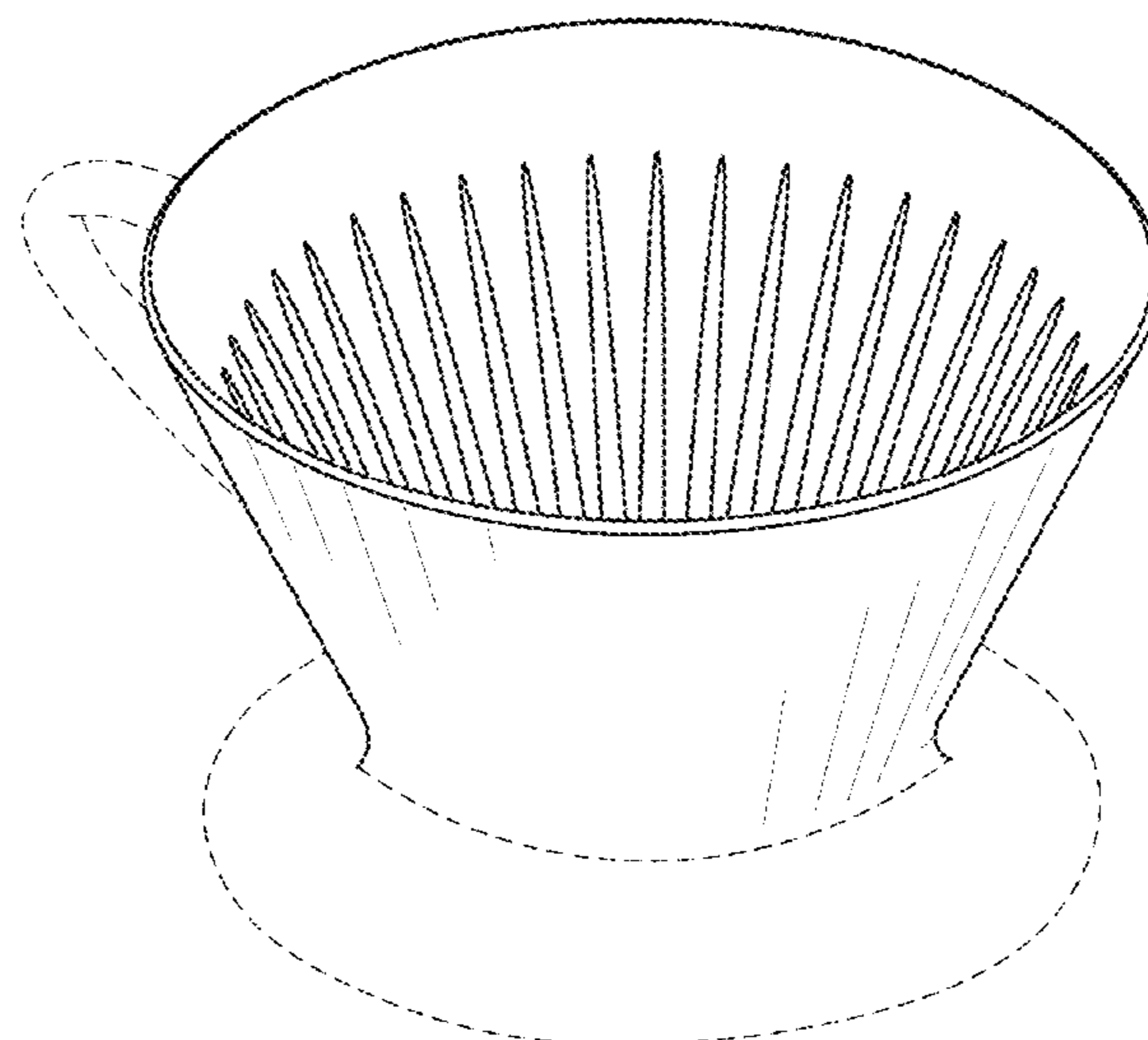
We claim the ornamental design for a coffee dripper, as
shown and described.

DESCRIPTION

FIG. 1 is a top perspective view of a coffee dripper in
accordance with the present design;
FIG. 2 is a right side view thereof;
FIG. 3 is a left side view thereof;
FIG. 4 is a front view thereof;
FIG. 5 is a rear view thereof;
FIG. 6 is a top view thereof;
FIG. 7 is a bottom view thereof; and,
FIG. 8 is a cross-sectional view taken along line 8-8 of FIG.
6.

The broken lines show parts of the article which form no part
of the claimed design.

1 Claim, 5 Drawing Sheets



(56)

References Cited

U.S. PATENT DOCUMENTS

5,826,493 A * 10/1998 Tien Lin A47J 31/061
99/306
D414,876 S * 10/1999 Morimoto D24/220
D564,832 S * 3/2008 Bodum D7/399
D778,668 S * 2/2017 Hojo D7/400
D793,156 S * 8/2017 Hojo D7/400
D797,501 S * 9/2017 Thurlow D7/400
D873,607 S * 1/2020 Day, Jr. A47J 31/061
D7/400
D873,608 S * 1/2020 de Martrin-Donos .. A47J 31/02
D7/400
D907,437 S * 1/2021 Molnar A47J 31/06
D7/400
D939,891 S * 1/2022 Chapman D7/400
2009/0178572 A1 * 7/2009 Wolcott A47J 31/0626
99/323
2010/0089245 A1 * 4/2010 Gerber A47J 31/02
99/306
2018/0055272 A1 * 3/2018 Sachtleben A47J 31/06
2019/0191914 A1 * 6/2019 Schillheim A47J 31/02
2020/0205604 A1 * 7/2020 Lin A47J 31/4425

OTHER PUBLICATIONS

Design No. 306166280, Nov. 13, 2020—China National Intellectual Property Administration (CNIPA) Publication Date—Nov. 13, 2020 Owner—Foshan Youdemei Electrical Appliance Co Ltd, Designer—Zhang Weidong WIPO, available at <https://www3.wipo.int/designdb/en/index.jsp> (Year: 2020).*

Blue Bottle Ceramic Coffee Dripper for Pour Over Coffee, first available Sep. 18, 2020, Amazon, [online], [site visited Nov. 18, 2021], Available from internet URL: <https://www.amazon.com/Blue-Bottle-Ceramic-Coffee-Dripper/dp/B08HVRWB1K> (Year: 2020).*

Design No. 306295539, Jan. 26, 2021—China National Intellectual Property Administration (CNIPA) Publication Date—Jan. 26, 2021 Owner—Suzhou Lv Xiao and His Friends Coffee Trade Co Ltd, Designer—Lv Xiao WIPO, available at <https://www3.wipo.int/designdb/en/index.jsp> (Year: 2021).*

Blue Bottle Coffee Dripper, Blue Bottle Coffee, [online], [site visited Nov. 8, 2021], Available from internet URL: <https://bluebottlecoffee.com/store/blue-bottle-coffee-dripper> (Year: 2021).*

* cited by examiner

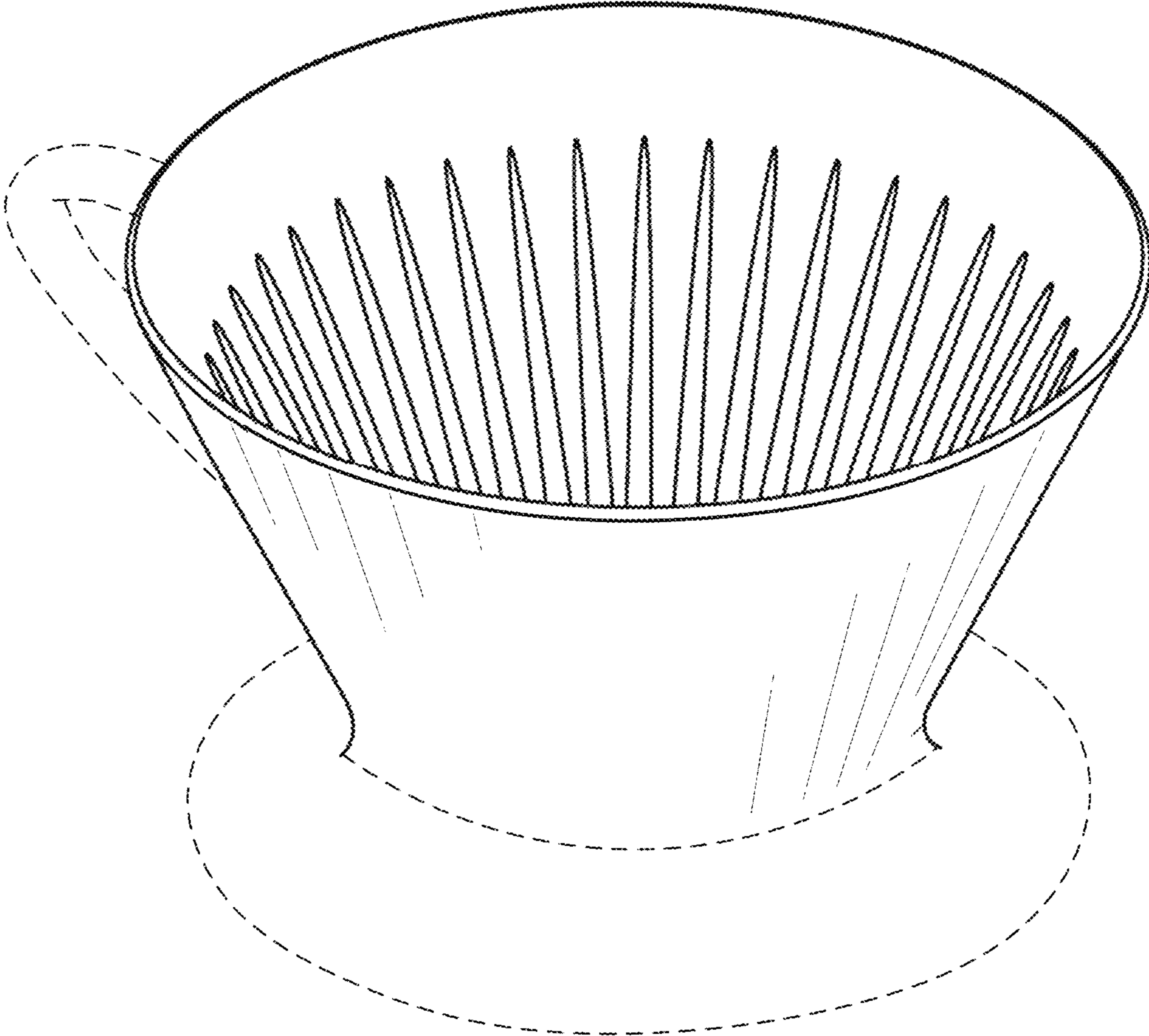


FIG. 1

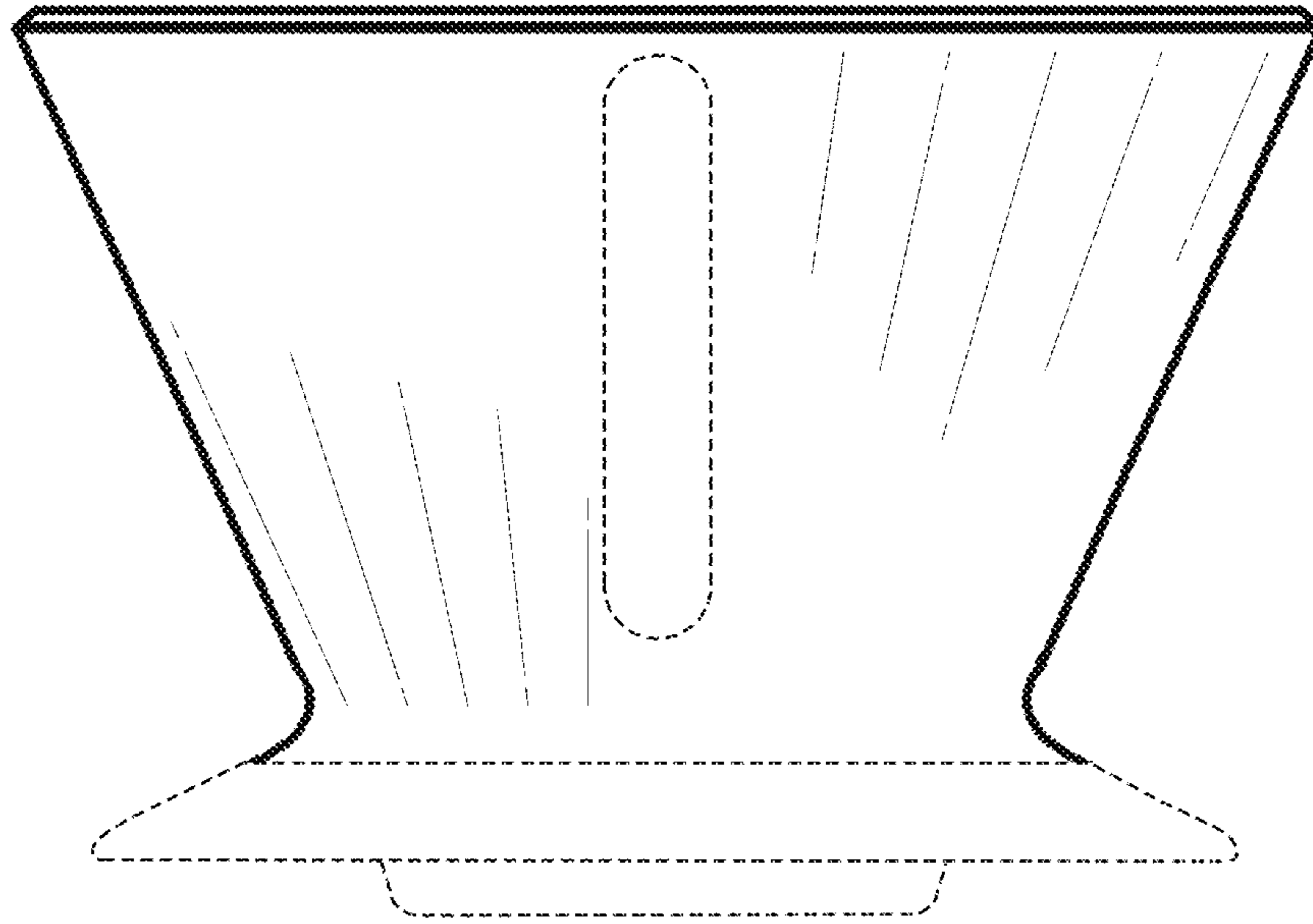


FIG. 2

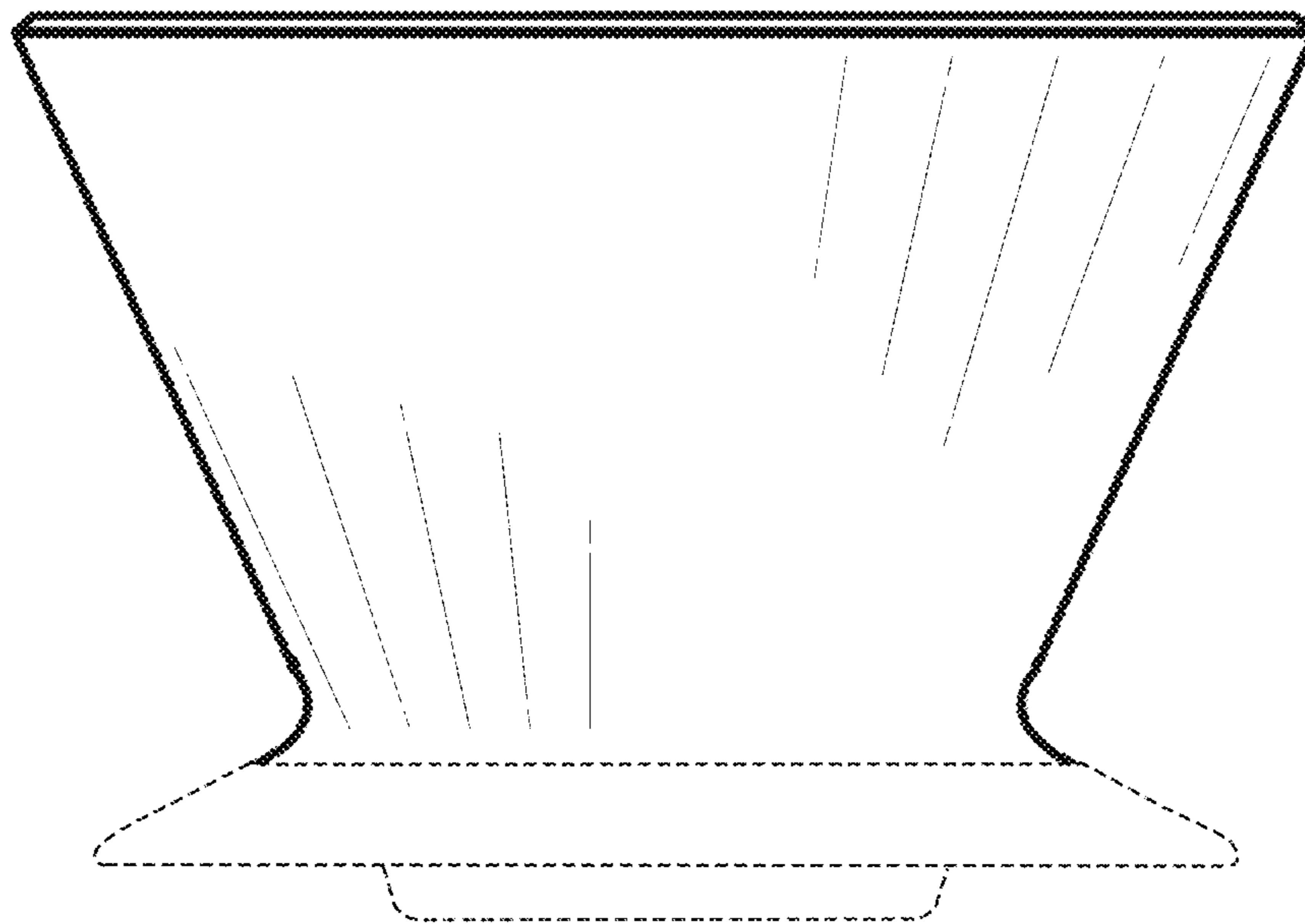


FIG. 3

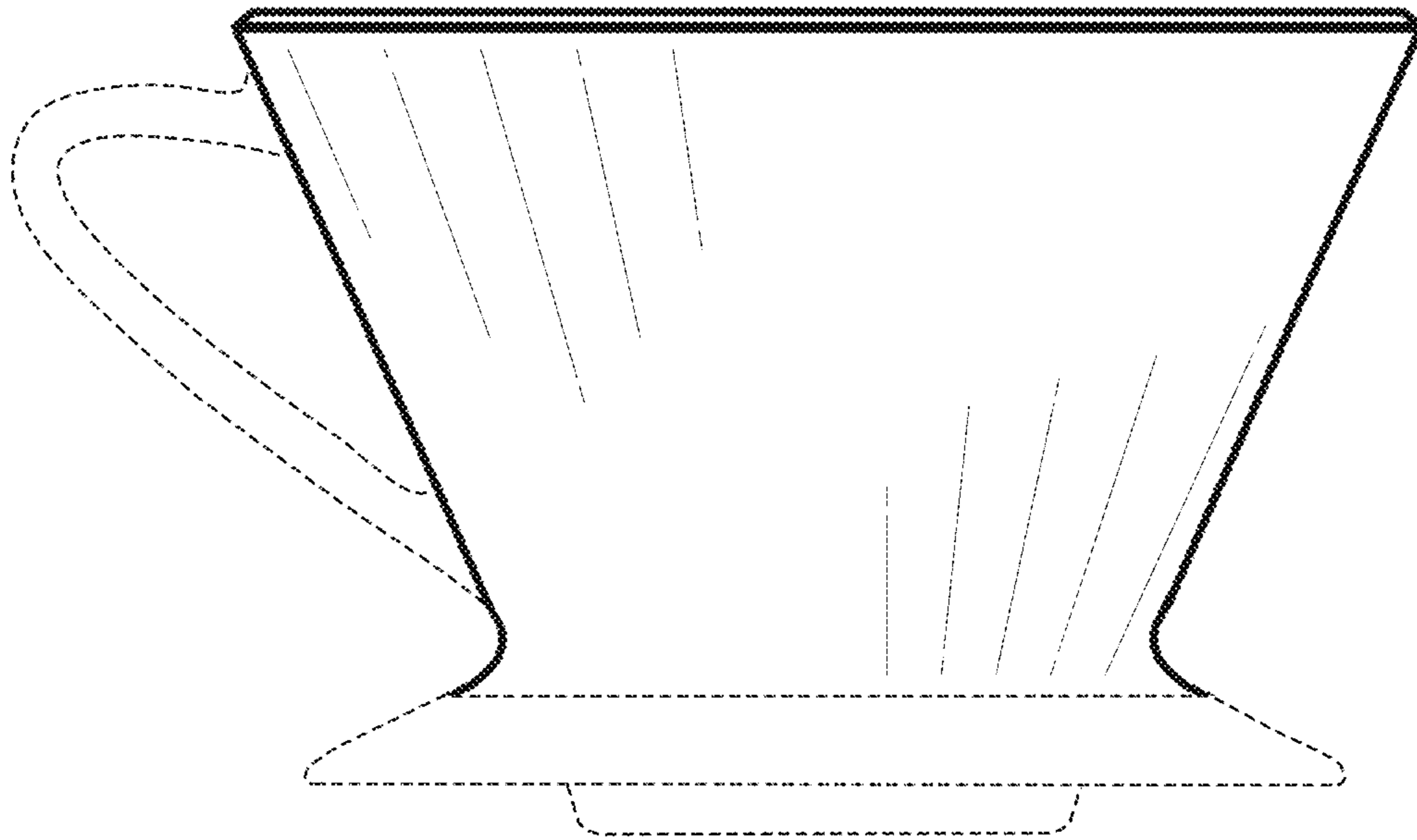


FIG. 4

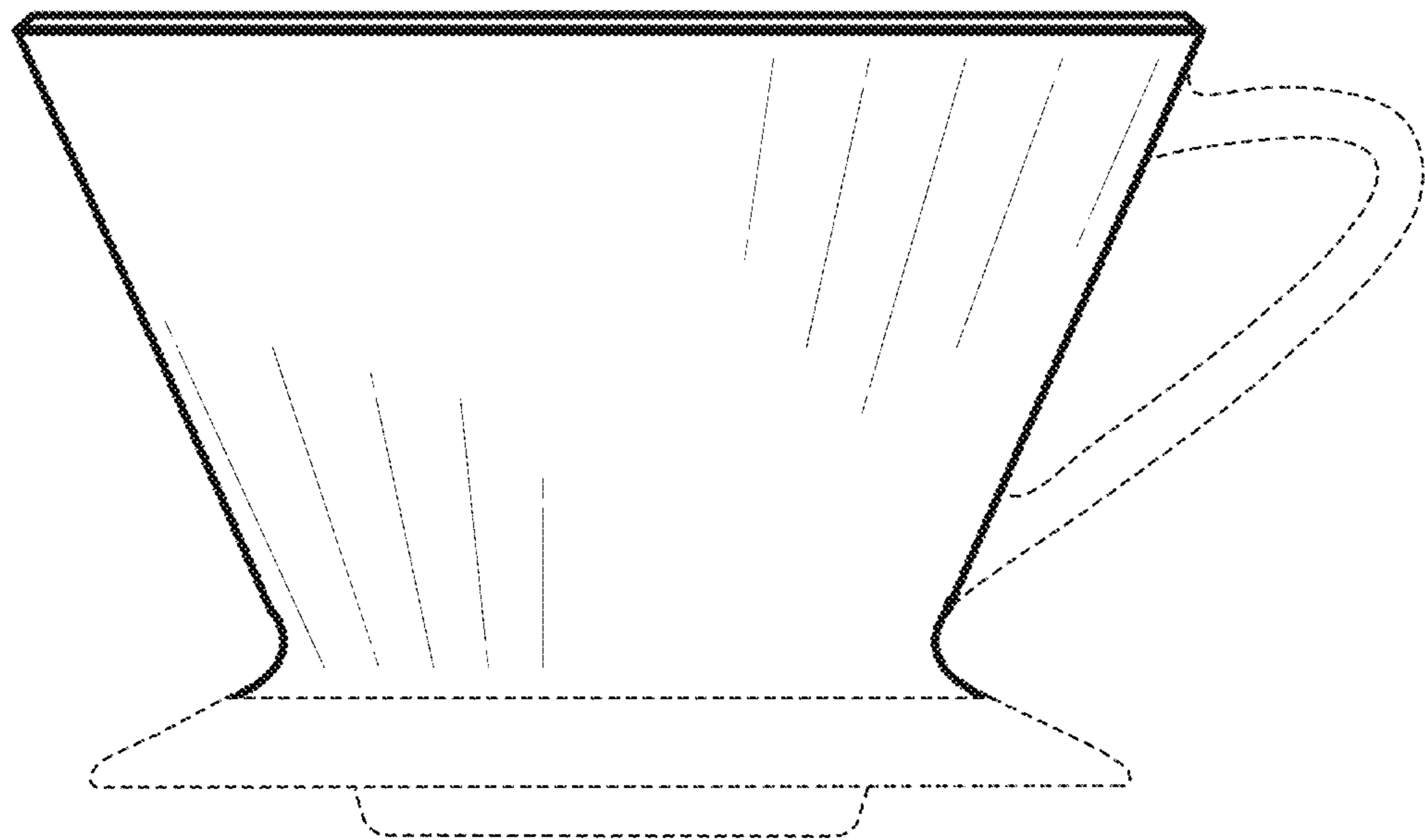


FIG. 5

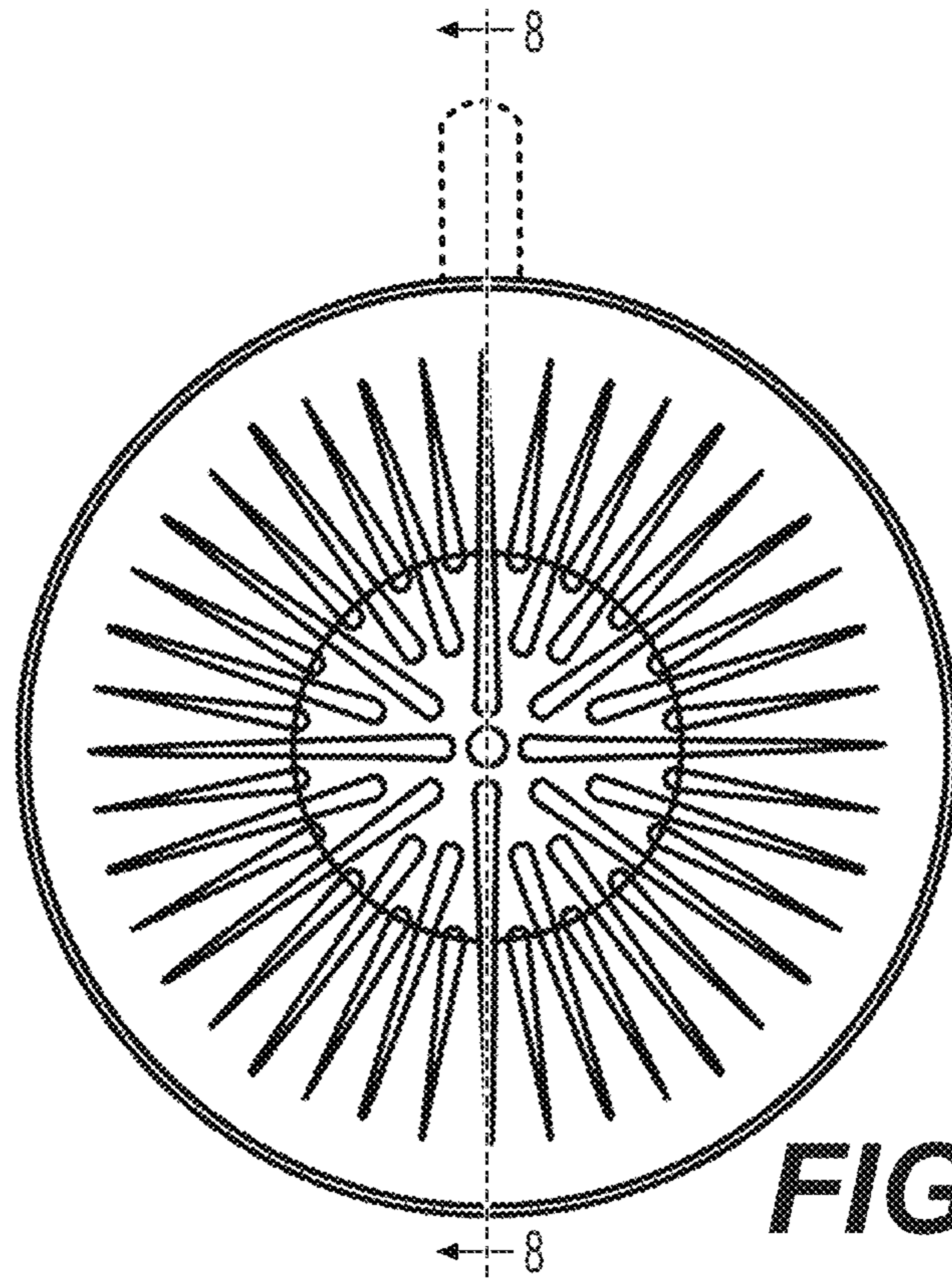


FIG. 6

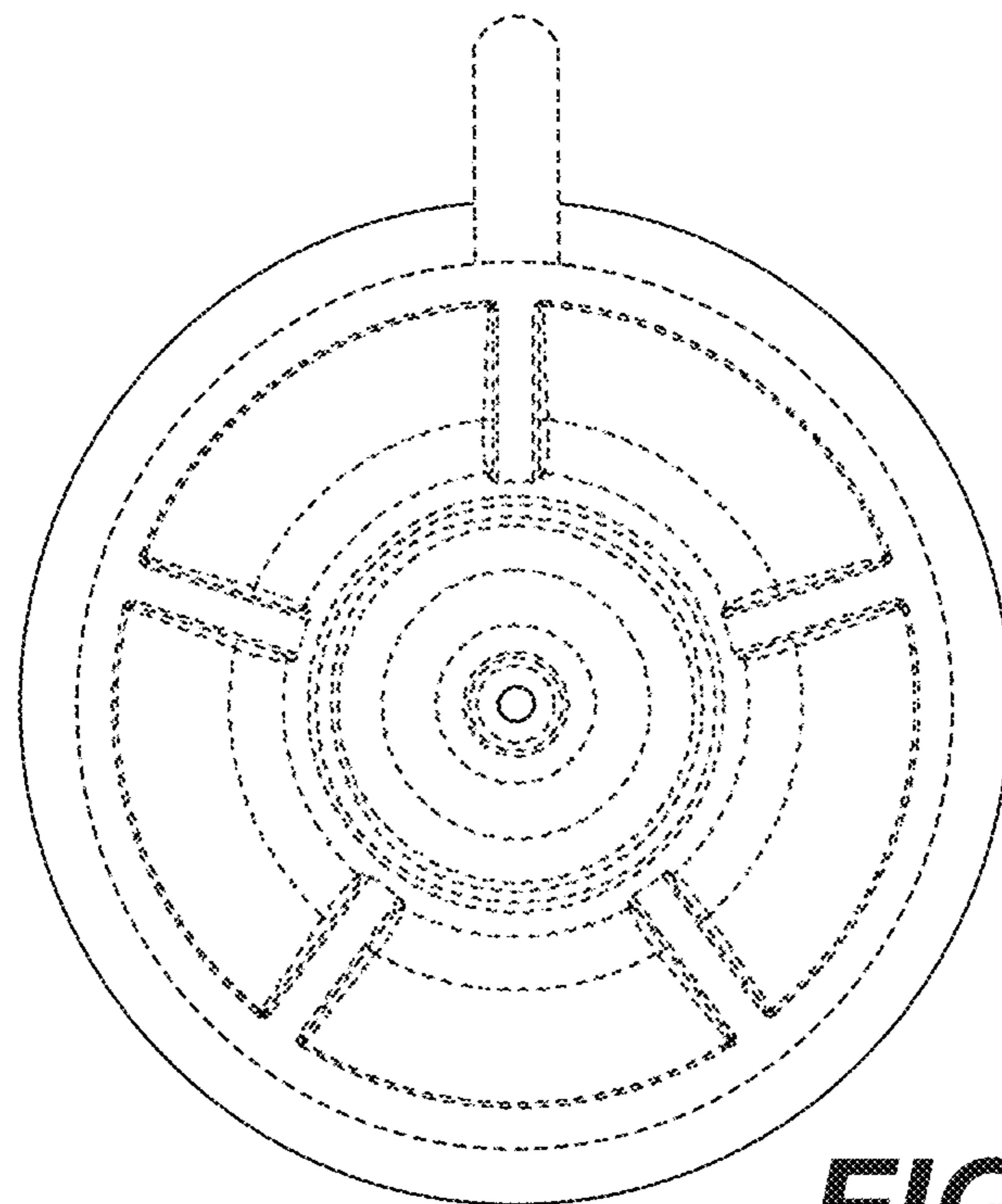


FIG. 7

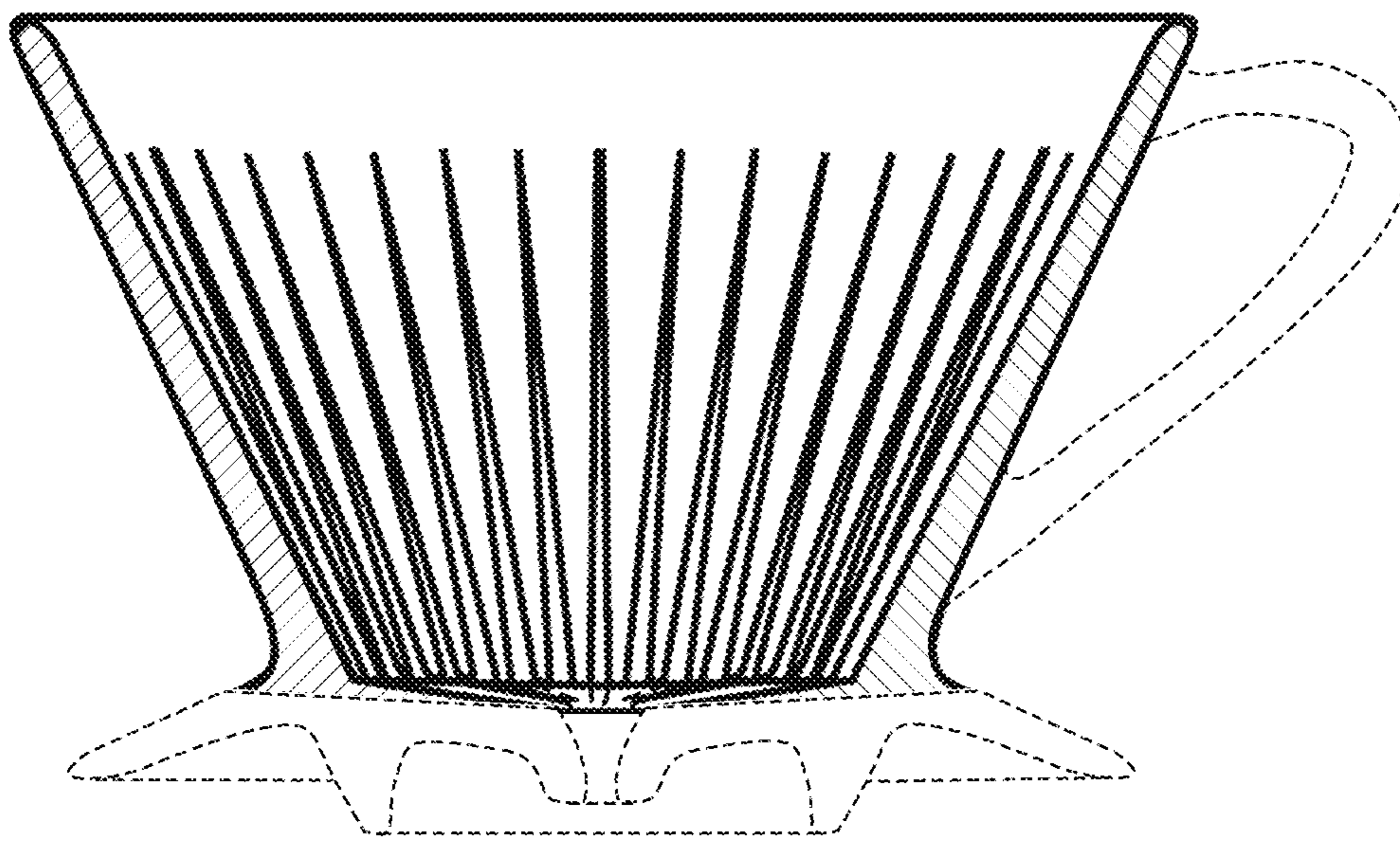


FIG. 8