



US00D952399S

(12) **United States Design Patent**
Chen

(10) **Patent No.:** **US D952,399 S**

(45) **Date of Patent:** **** May 24, 2022**

(54) **COVER**

(71) Applicant: **Shuangma Plastic Manufacturing Inc,**
Zhejiang (CN)

(72) Inventor: **Cuihong Chen,** Zhejiang (CN)

(**) Term: **15 Years**

(21) Appl. No.: **29/726,526**

(22) Filed: **Mar. 4, 2020**

(30) **Foreign Application Priority Data**

Sep. 30, 2019 (CN) 201930541796.5

(51) **LOC (13) Cl.** **07-01**

(52) **U.S. Cl.**
USPC **D7/392.1; D7/396.2**

(58) **Field of Classification Search**
USPC D7/387, 392.1, 396.2, 393, 394, 397,
D7/398, 510, 511, 213; D9/435, 436,
D9/439, 440, 449

CPC A47G 19/22; A47G 19/2211; A47G
19/2222; A47G 19/2205; A45F 3/16;
B65D 41/04; A47J 43/27; A47J 41/028
See application file for complete search history.

(56) **References Cited**

U.S. PATENT DOCUMENTS

D569,685 S * 5/2008 Liu D7/387
D633,790 S * 3/2011 Pontes D9/438
D650,672 S * 12/2011 Krallmann D9/449
D746,999 S * 1/2016 Jonsson D24/216
D799,321 S * 10/2017 Mazurkiewicz D9/449
D814,235 S * 4/2018 Shirley D7/392.1

D850,259 S * 6/2019 Wiggins D9/449
D851,446 S * 6/2019 Lindsay D7/392.1
D902,650 S * 11/2020 Wang D7/396.2
2016/0376061 A1 * 12/2016 Shirley B65D 23/104
215/228
2017/0253396 A1 * 9/2017 Coon B65D 43/16
2018/0273398 A1 * 9/2018 Pehar C02F 1/003
2020/0055646 A1 * 2/2020 Harris A45F 3/16

OTHER PUBLICATIONS

Pratico Kitchen LargePour Water, Juice, and Beverage Airtight Pitcher, Made in Japan, 3.2 qt, 102 oz, White by Pratico Goods Learn more: https://www.amazon.com/dp/B071ZZ6N1M/ref=cm_sw_em_r_mt_dp_4695FZC01NE5920BP7MD (Year: 2017).*

* cited by examiner

Primary Examiner — Jae Liang

(74) *Attorney, Agent, or Firm* — Prakash Nama; Global IP Services, PLLC

(57) **CLAIM**

The ornamental design for a cover, as shown.

DESCRIPTION

FIG. 1 is a front elevational view of a cover showing my new design;

FIG. 2 is a rear elevational view thereof;

FIG. 3 is a left side view thereof;

FIG. 4 is a right side view thereof;

FIG. 5 is a top plan view thereof;

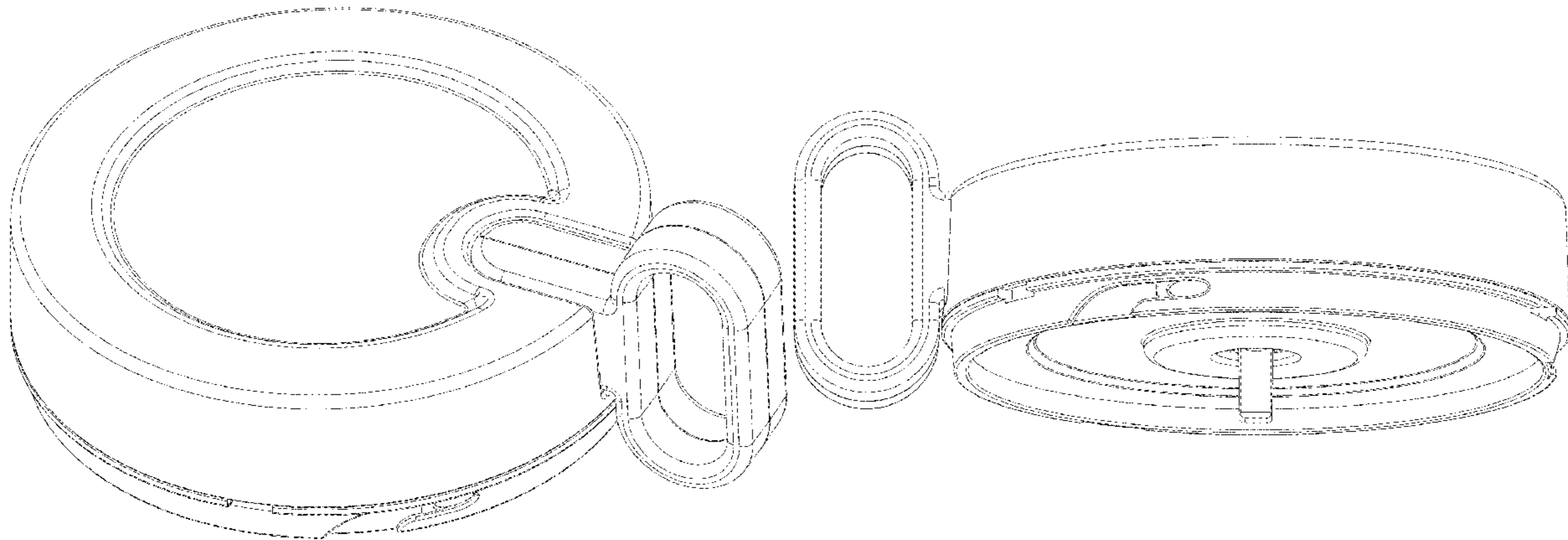
FIG. 6 is a bottom plan view thereof;

FIG. 7 is a perspective view thereof;

FIG. 8 is a second perspective view thereof; and,

FIG. 9 is a third perspective view thereof.

1 Claim, 9 Drawing Sheets



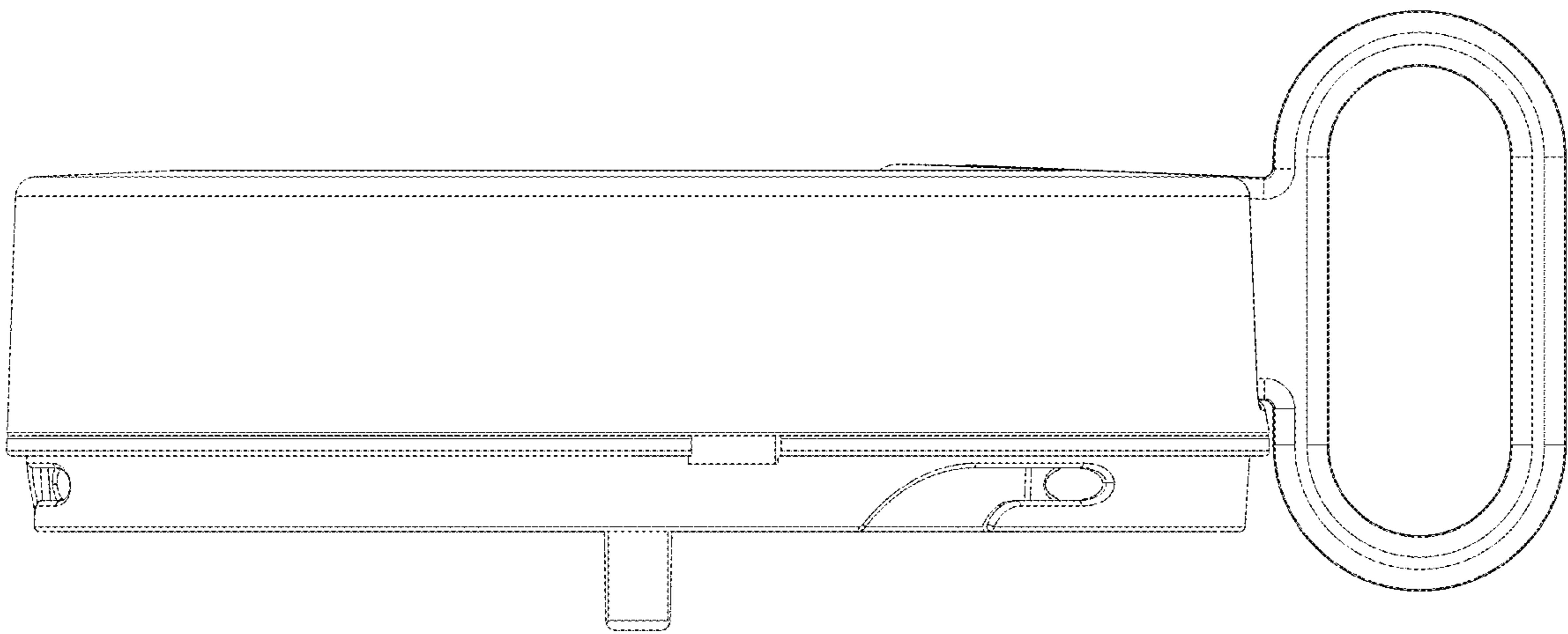


Fig. 1

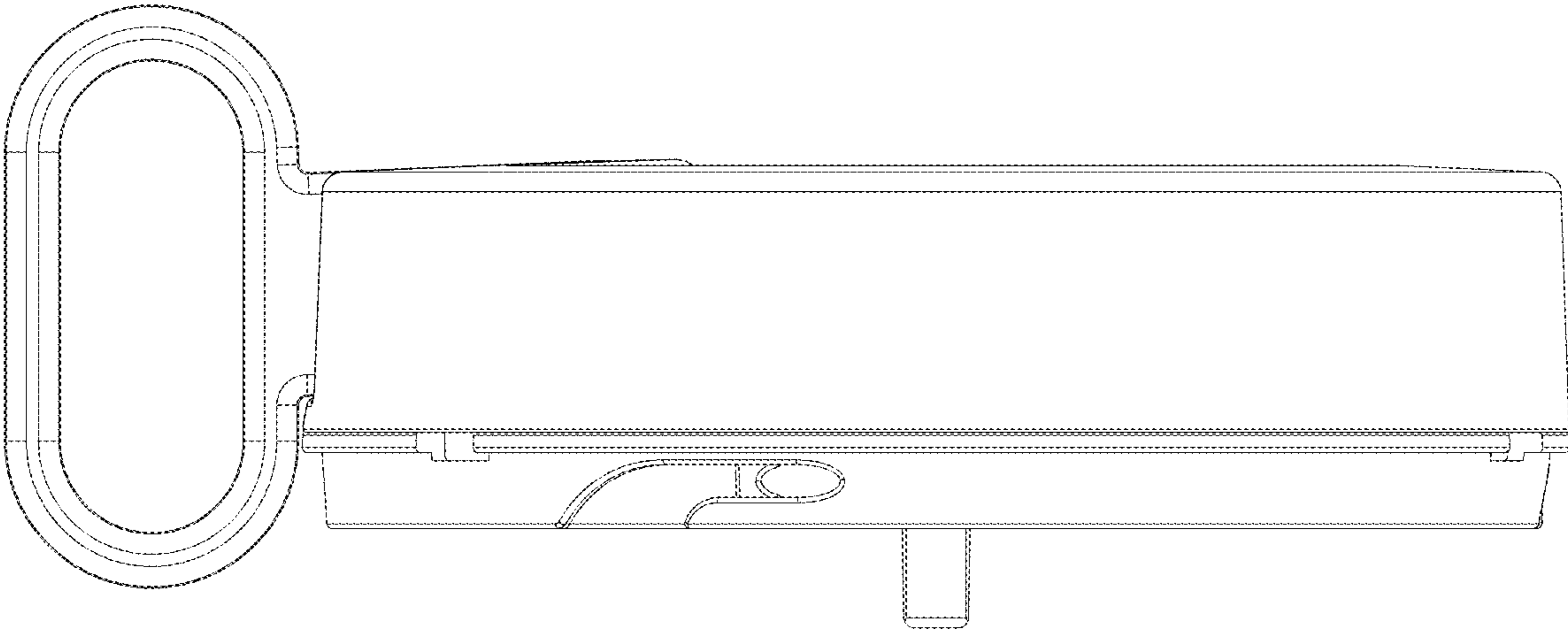


Fig. 2

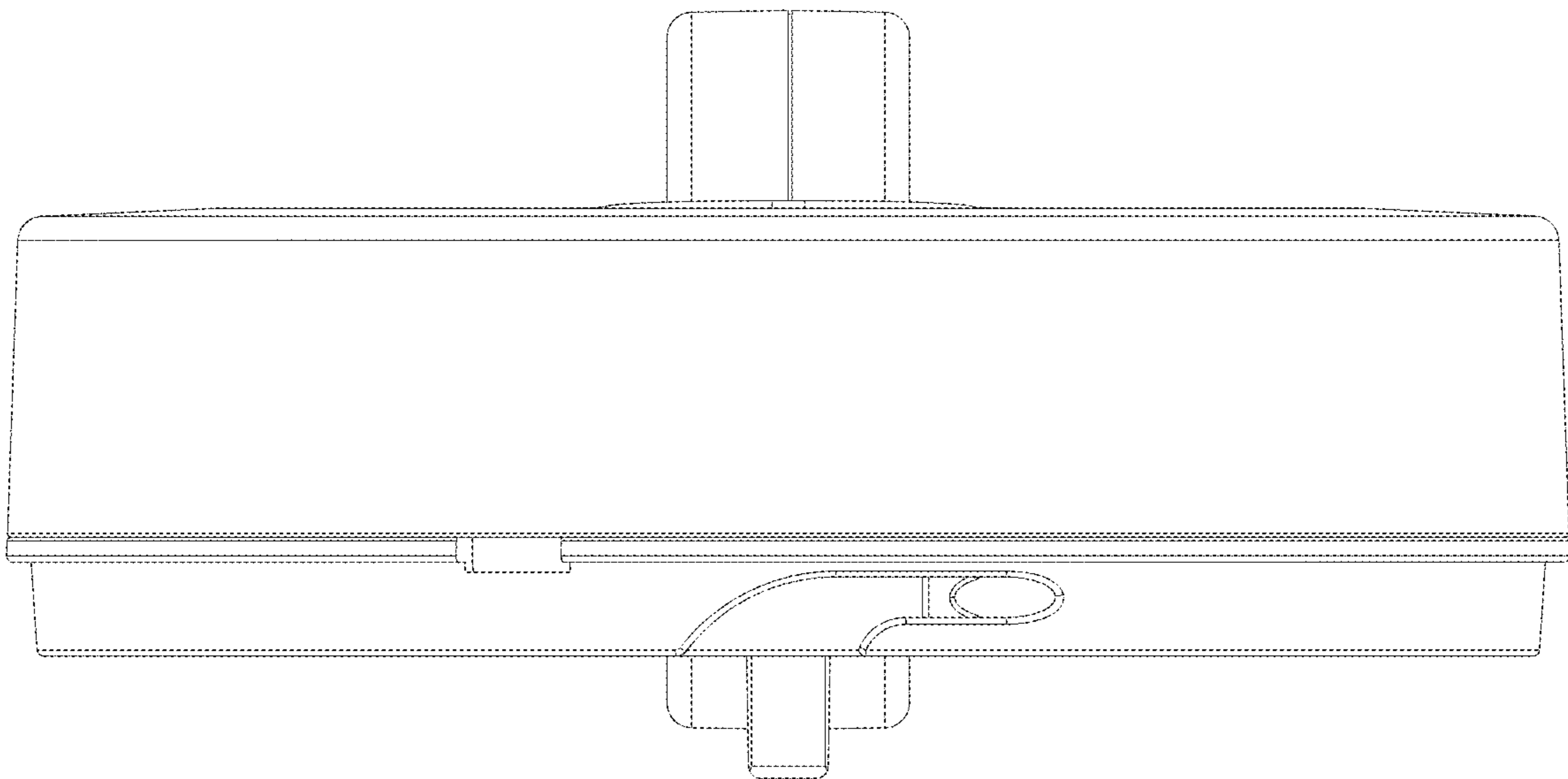


Fig. 3

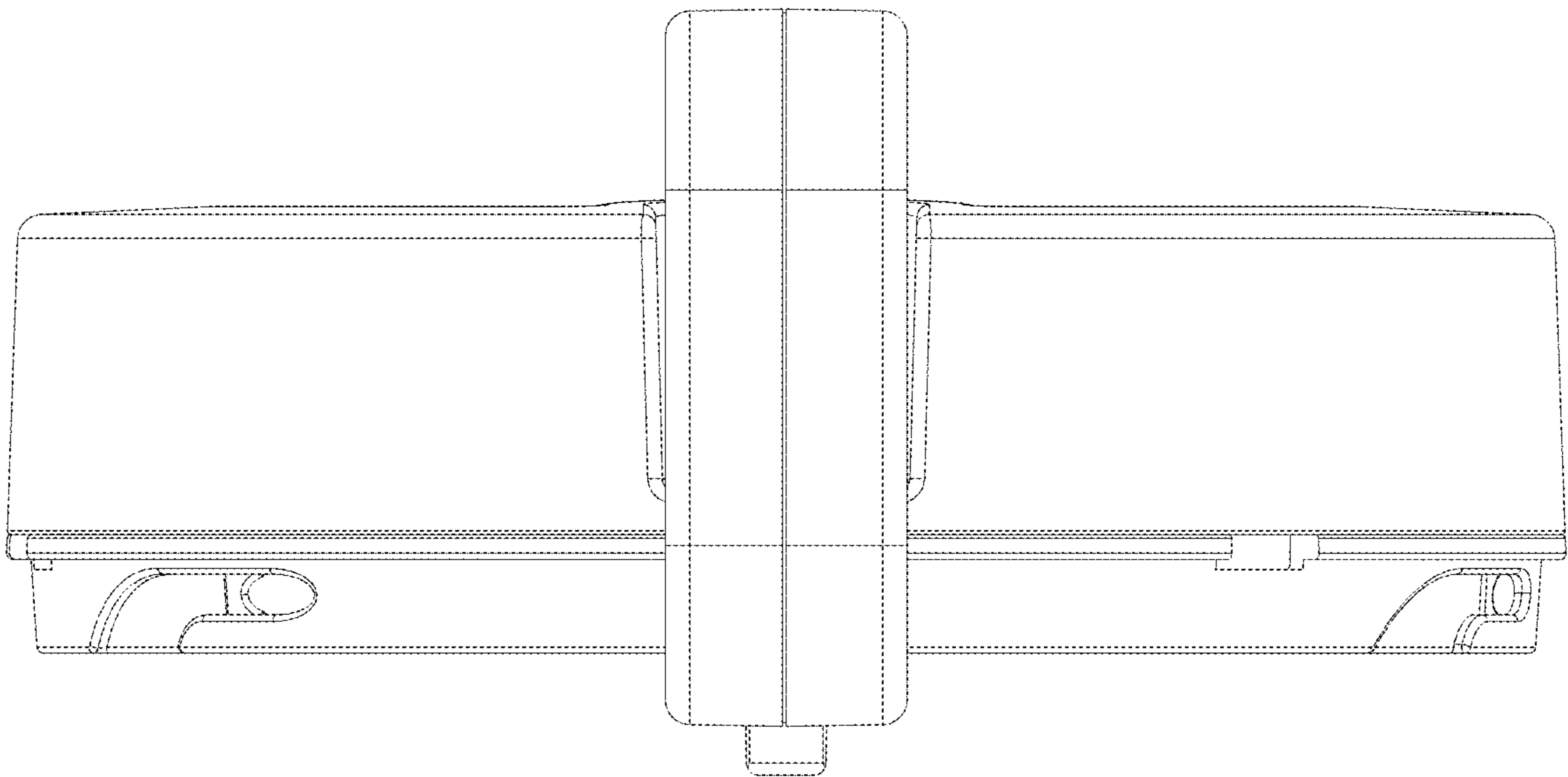


Fig. 4

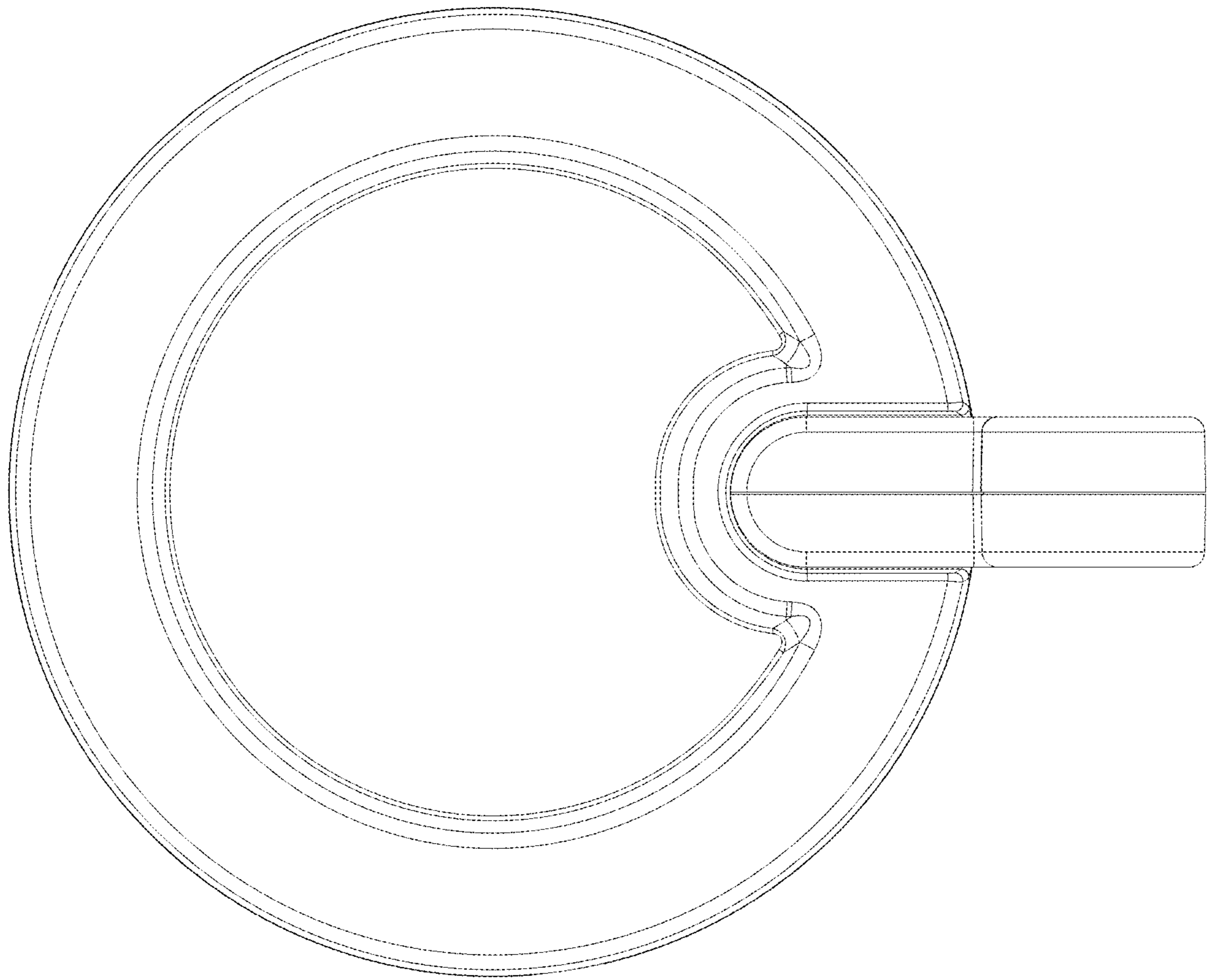


Fig. 5

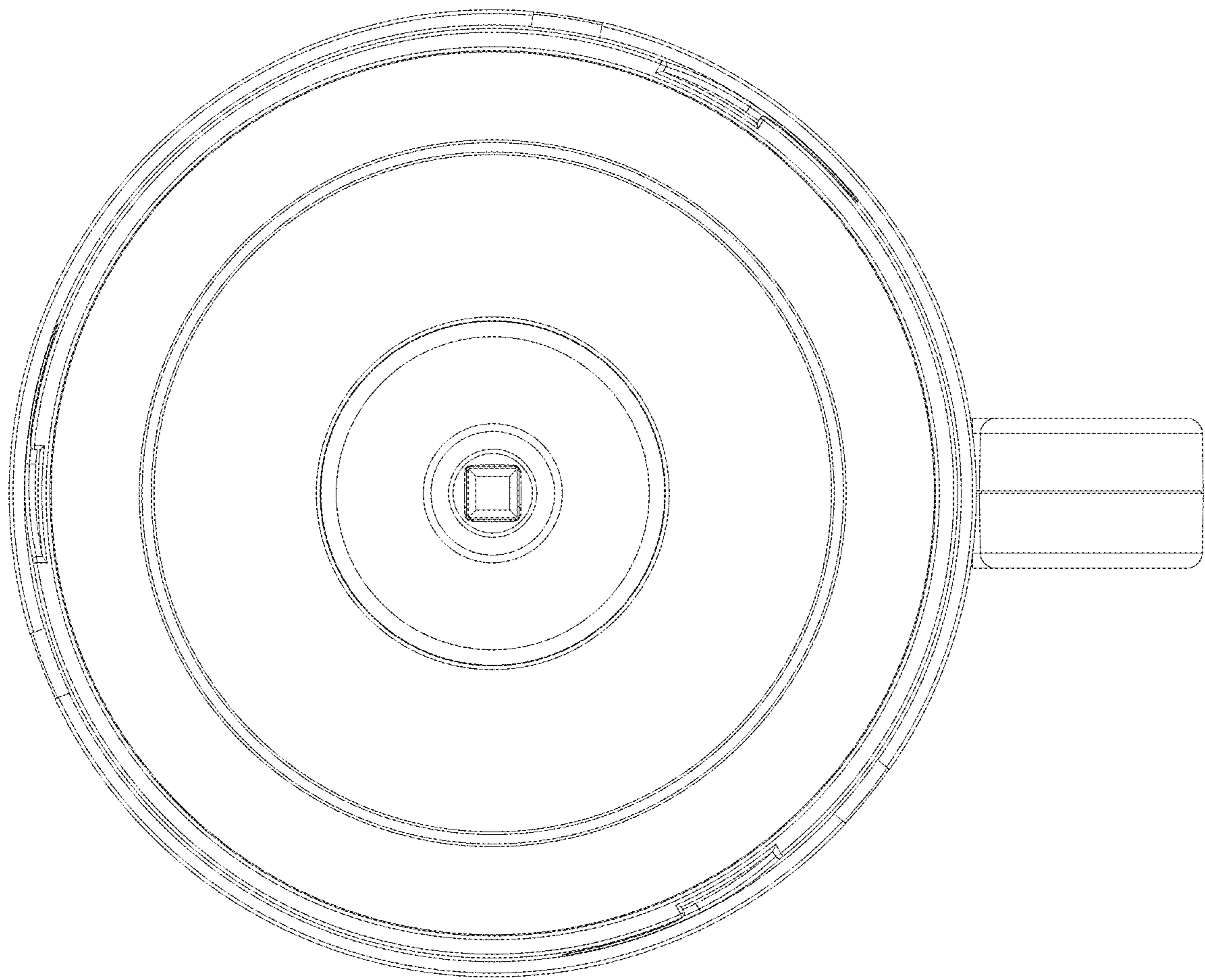


Fig. 6

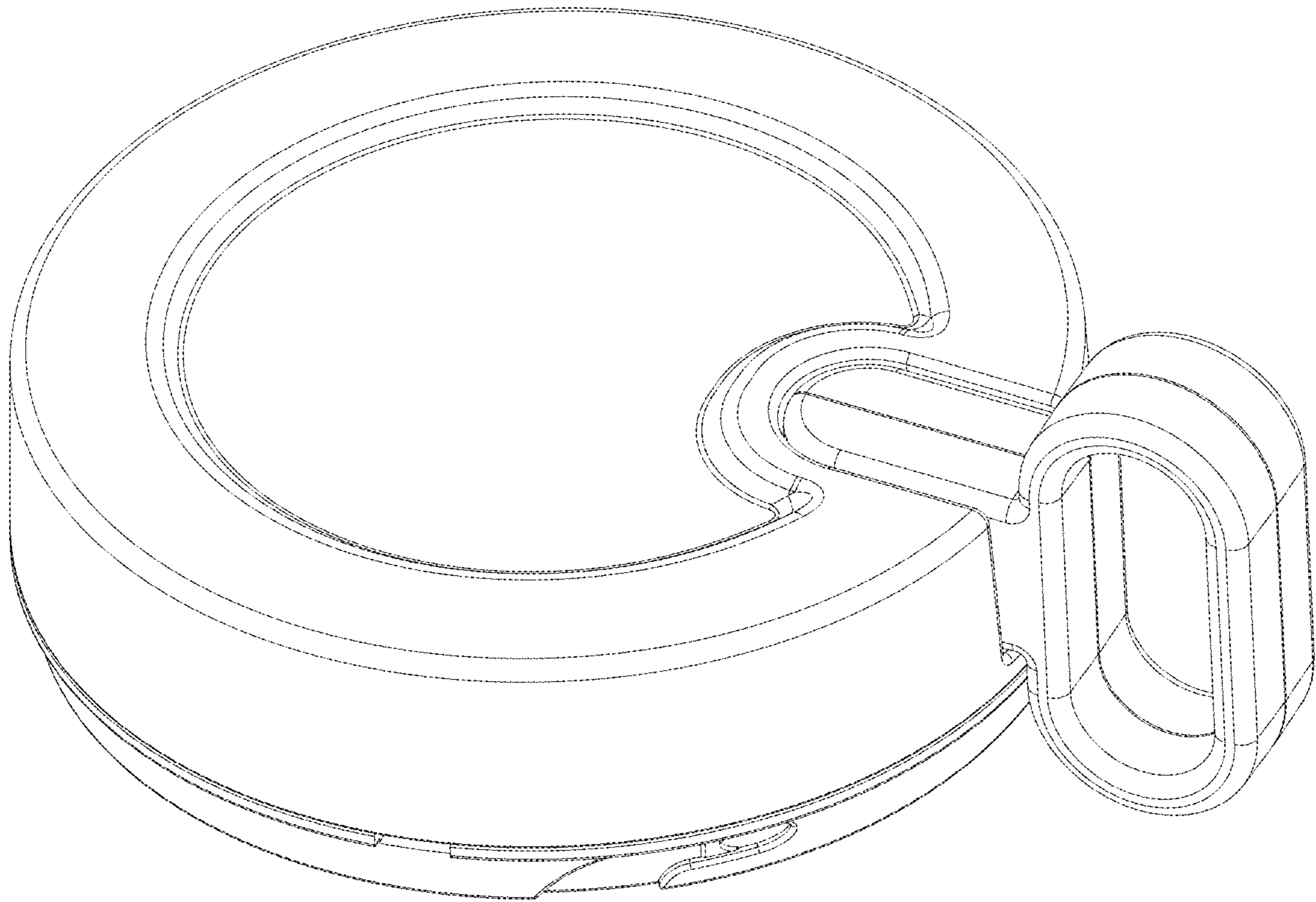


Fig. 7

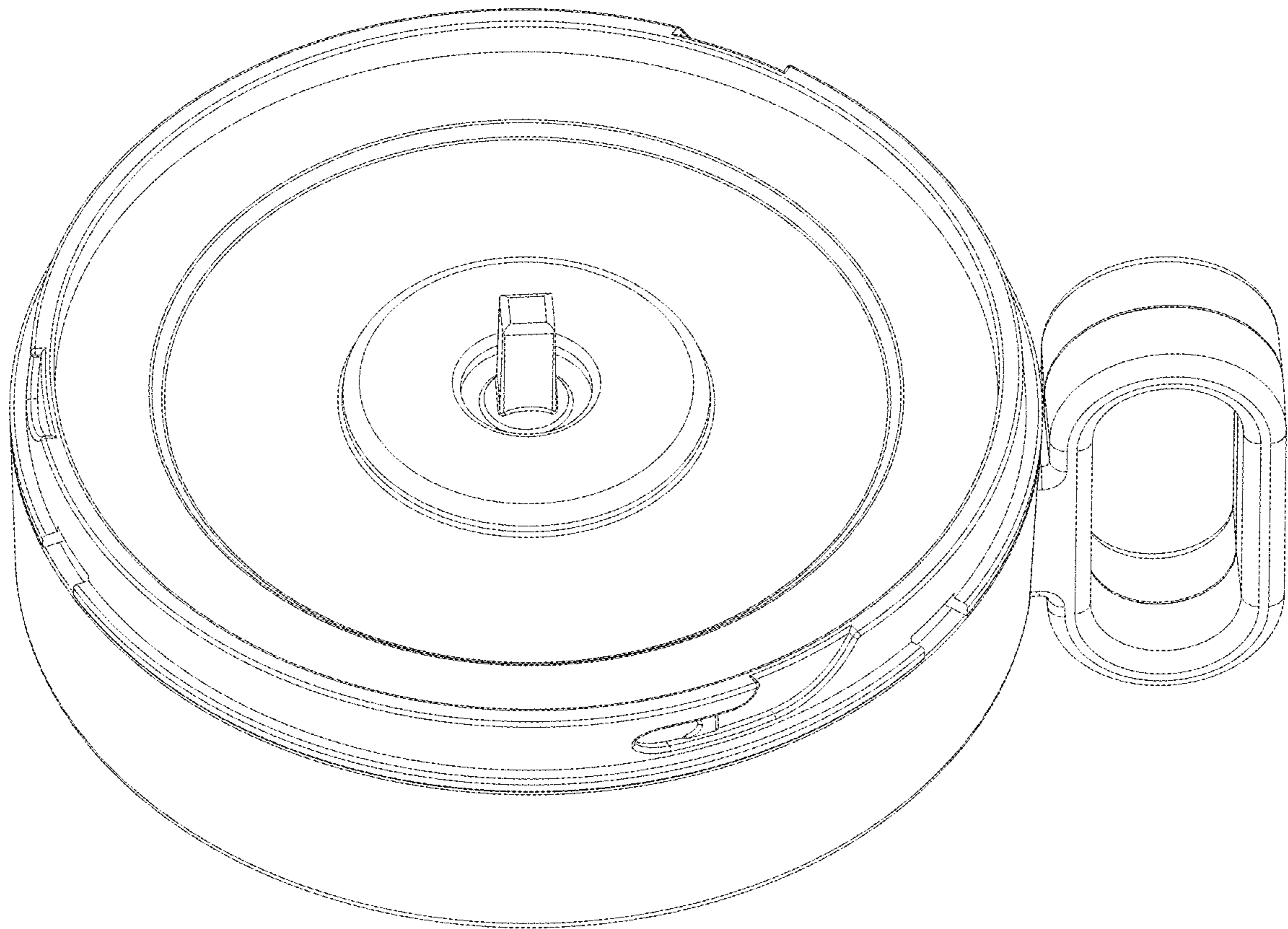


Fig. 8

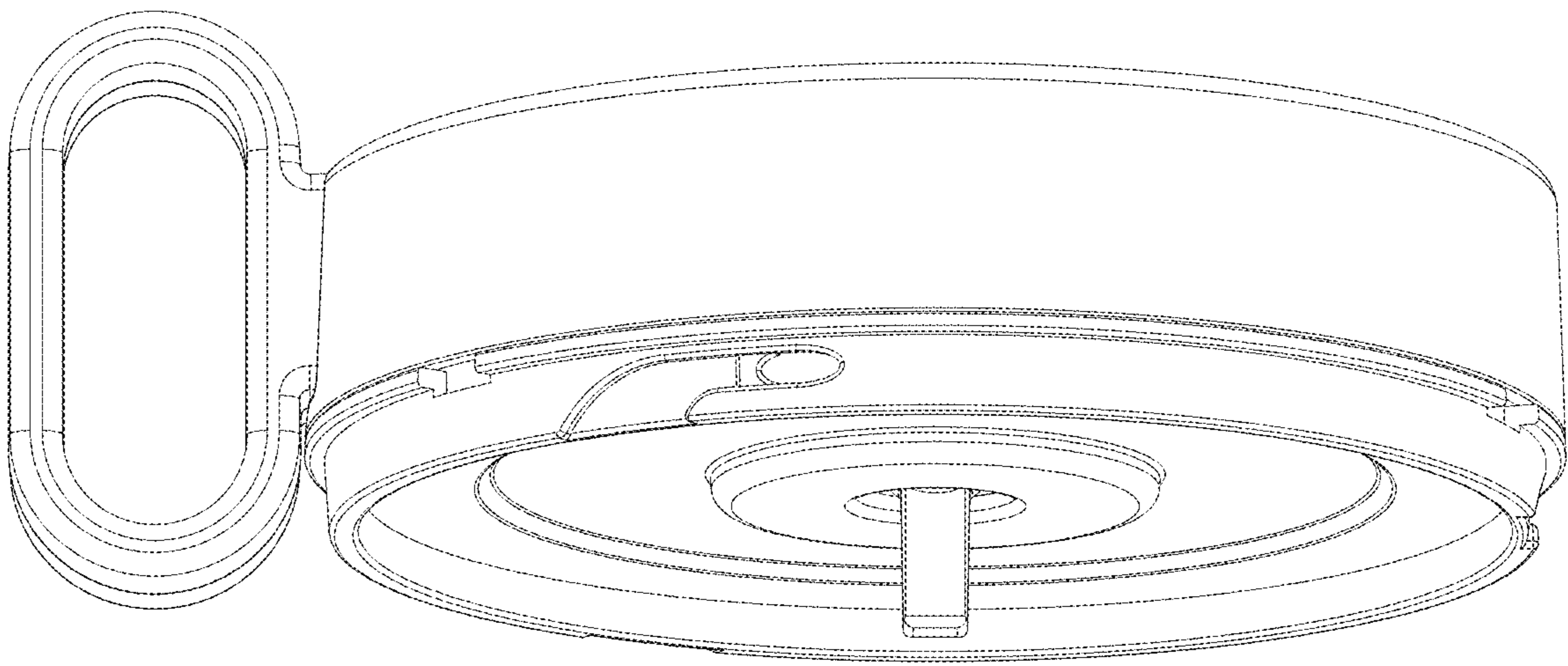


Fig. 9