



US00D952398S

(12) **United States Design Patent** (10) **Patent No.:** **US D952,398 S**
Junker et al. (45) **Date of Patent:** **** May 24, 2022**

(54) **STEAMER LID**
(71) Applicant: **Smart Product Concepts Limited**,
Kowloon (HK)
(72) Inventors: **Lars Junker**, Mid-Levels (HK); **Mark Fung**, Kowloon (HK)
(73) Assignee: **COOKINGPAL LIMITED**, Kowloon (HK)

D169,283 S * 4/1953 Orr D7/360
D386,647 S * 11/1997 Ho D7/360
D402,848 S * 12/1998 Piret D7/354
D451,335 S * 12/2001 Rossman D7/360
D647,752 S * 11/2011 Curtis D7/354
D648,595 S * 11/2011 Curtis D7/354
D657,993 S * 4/2012 Pantaleo D7/354
D697,362 S * 1/2014 Nguyen Geslin D7/354
D763,034 S * 8/2016 Berge D7/354
D788,518 S * 6/2017 Aggarwal D7/360
D830,117 S * 10/2018 Shieh D7/391

(**) Term: **15 Years**

(21) Appl. No.: **29/755,061**

(22) Filed: **Oct. 16, 2020**

(30) **Foreign Application Priority Data**

Jul. 13, 2020 (EM) 008038582-0002

(51) **LOC (13) Cl.** **07-02**

(52) **U.S. Cl.**
USPC **D7/391; D7/354**

(58) **Field of Classification Search**
USPC D7/323, 354-363, 391, 393-396, 409;
D9/439; D28/82
CPC A47G 19/12; A47J 27/00; A47J 27/002;
A47J 27/08; A47J 27/0811; A47J 27/21;
A47J 27/58; A47J 36/025; A47J 36/06;
A47J 36/12; A47J 37/00; A47J 37/10;
A47J 37/101; A47J 37/103; A47J 37/12;
A47J 37/1204; A47J 45/061; A47J
45/071; A47J 45/08; B65D 25/28; B65D
45/22; B65D 51/1672; H05B 6/12
See application file for complete search history.

(56) **References Cited**

U.S. PATENT DOCUMENTS

D160,649 S * 10/1950 Muller Munk D7/391
D165,596 S * 1/1952 Morgan 99/403

OTHER PUBLICATIONS

Presto, Grey Ceramic Electric Skillet. Date First Available on Amazon.com Sep. 28, 2016. <https://www.amazon.com/Presto-06856-Electric-Skillet-CERAMIC/dp/B01GD1JSZM/ref> (Year: 2016).*

* cited by examiner

Primary Examiner — Ricky Pham
(74) *Attorney, Agent, or Firm* — Berenato & White, LLC

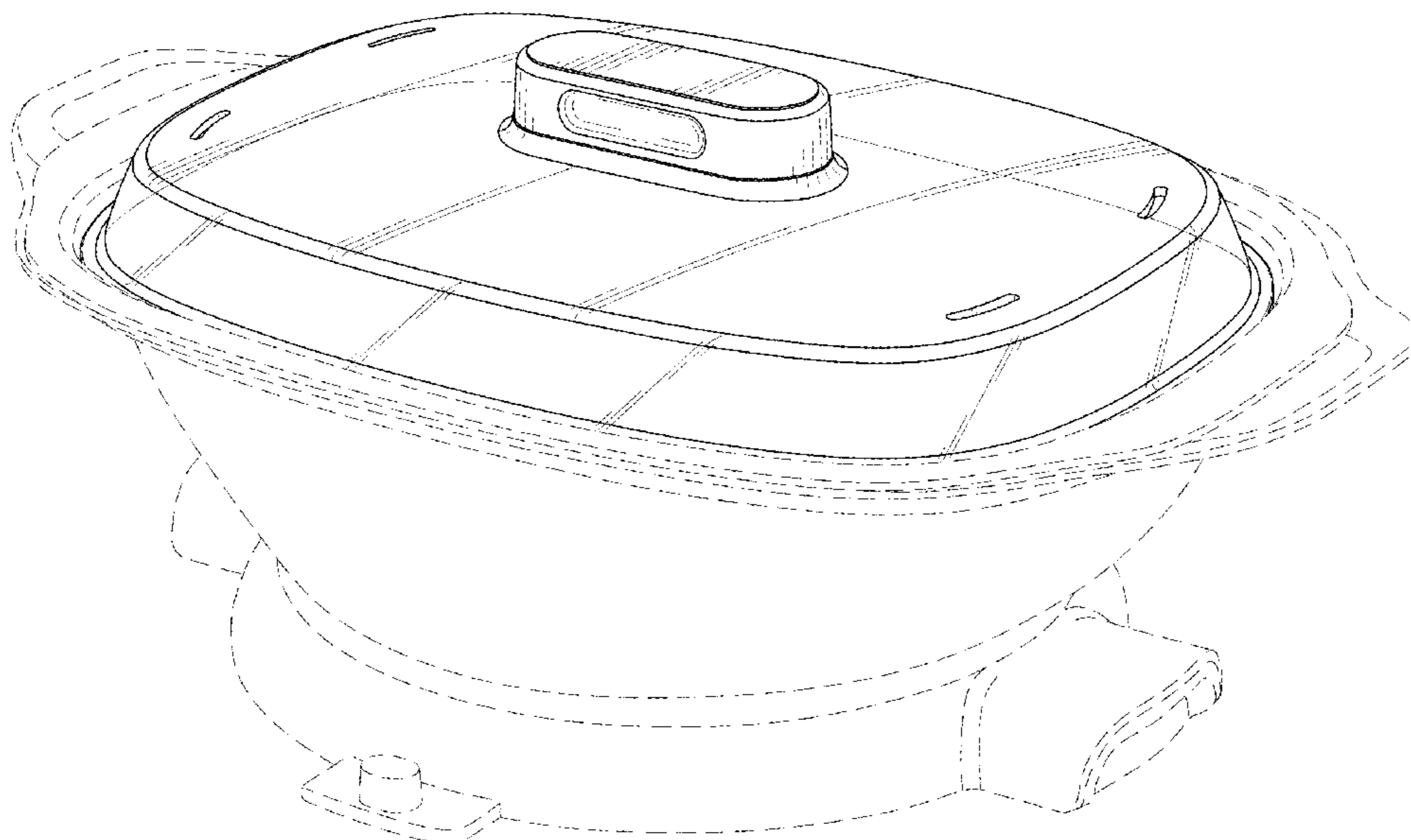
(57) **CLAIM**

The ornamental design for a steamer lid, as shown and described.

DESCRIPTION

FIG. 1 is a perspective view of our steamer lid;
FIG. 2 is a perspective view of our steamer lid positioned on a steamer;
FIG. 3 is a right side elevational view;
FIG. 4 is a left side elevational view;
FIG. 5 is a front elevational view;
FIG. 6 is a rear elevational view;
FIG. 7 is a top plan view; and,
FIG. 8 is a bottom plan view.
The dashed lines form no part of the claimed design.

1 Claim, 6 Drawing Sheets



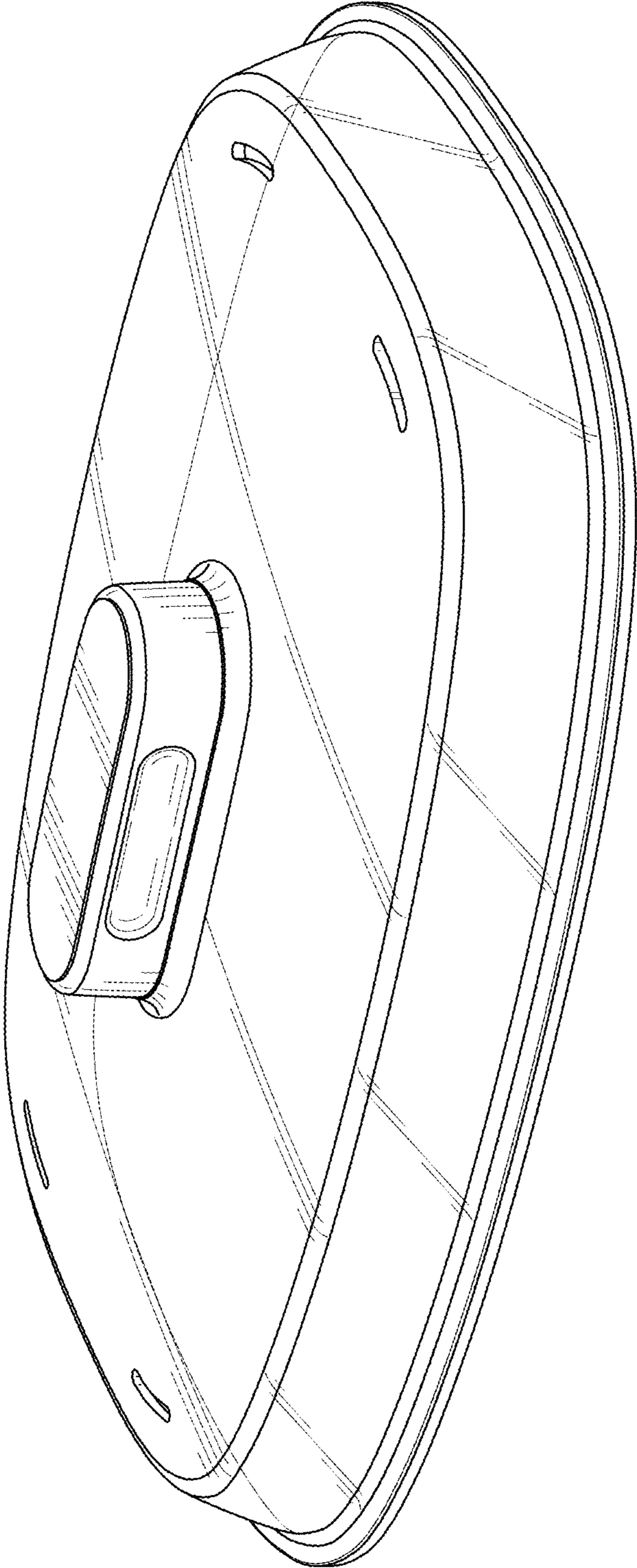


FIG. 1

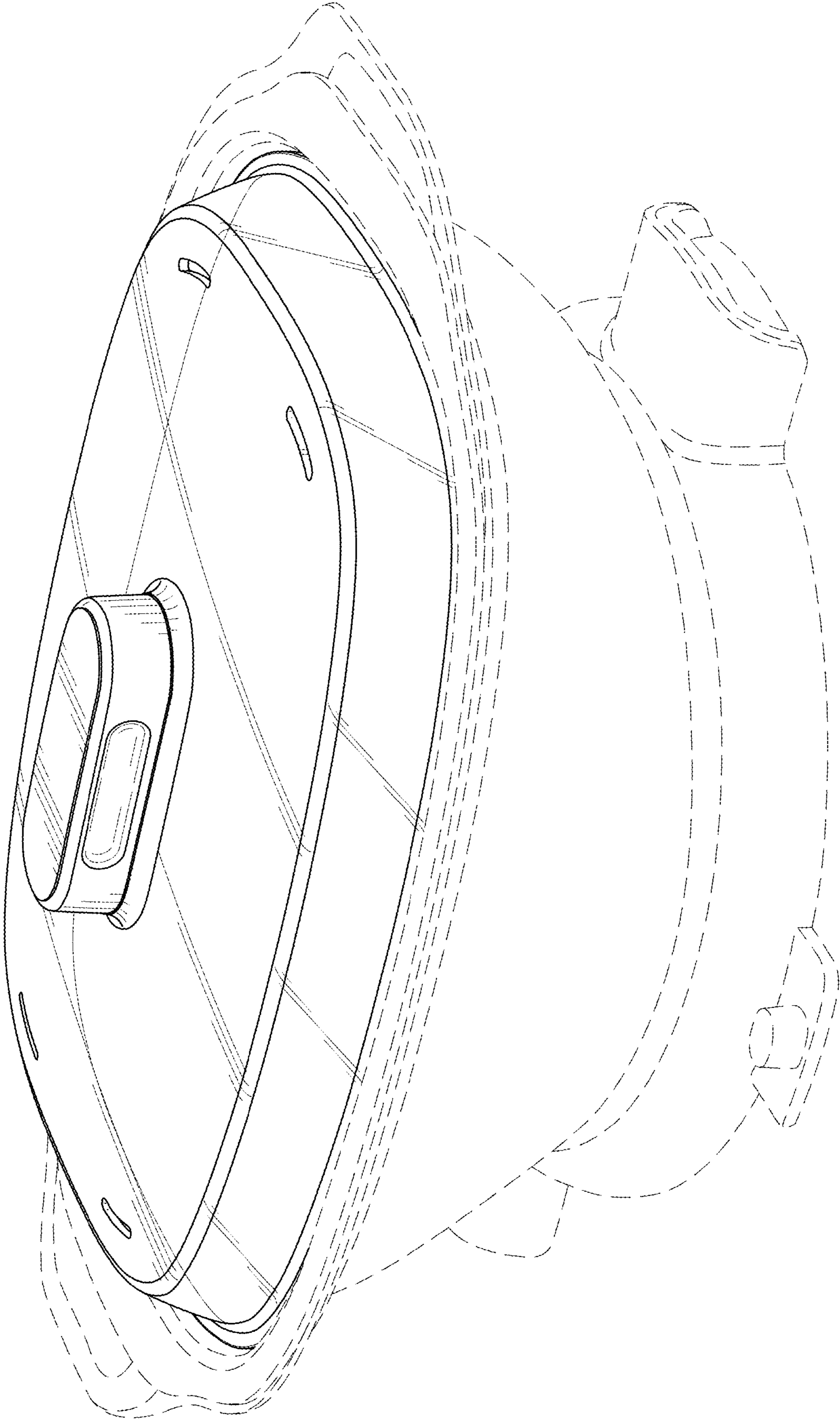


FIG. 2

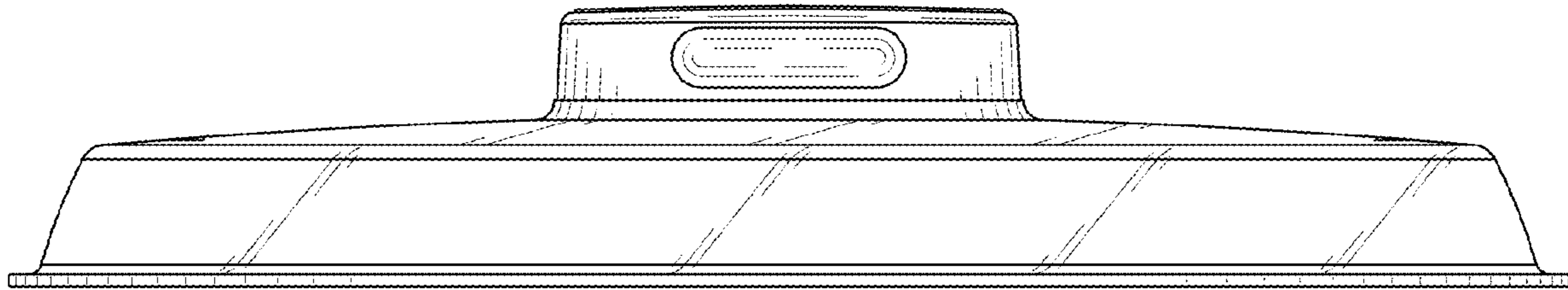


FIG. 3

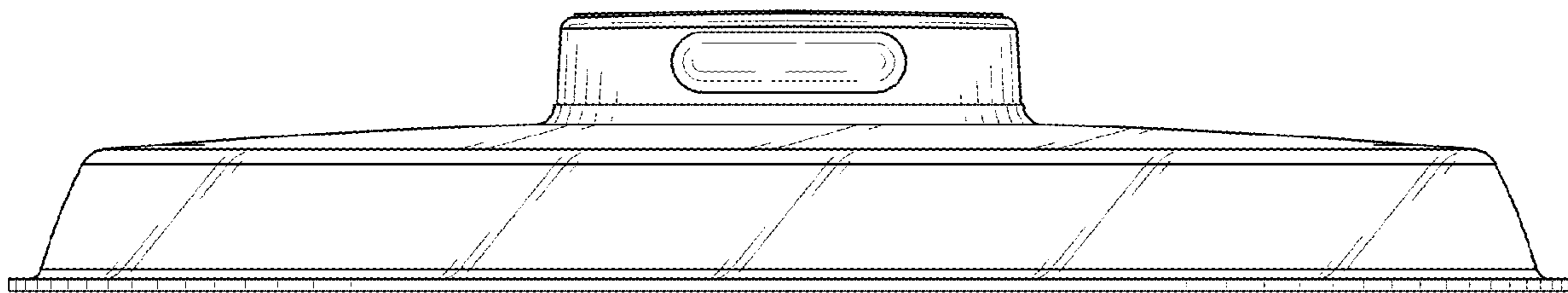


FIG. 4

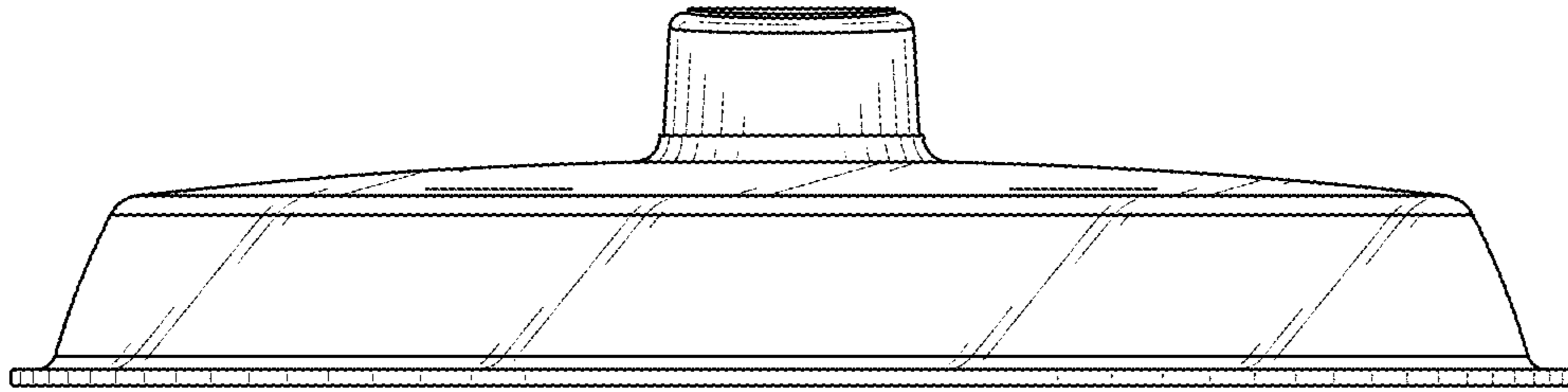


FIG. 5

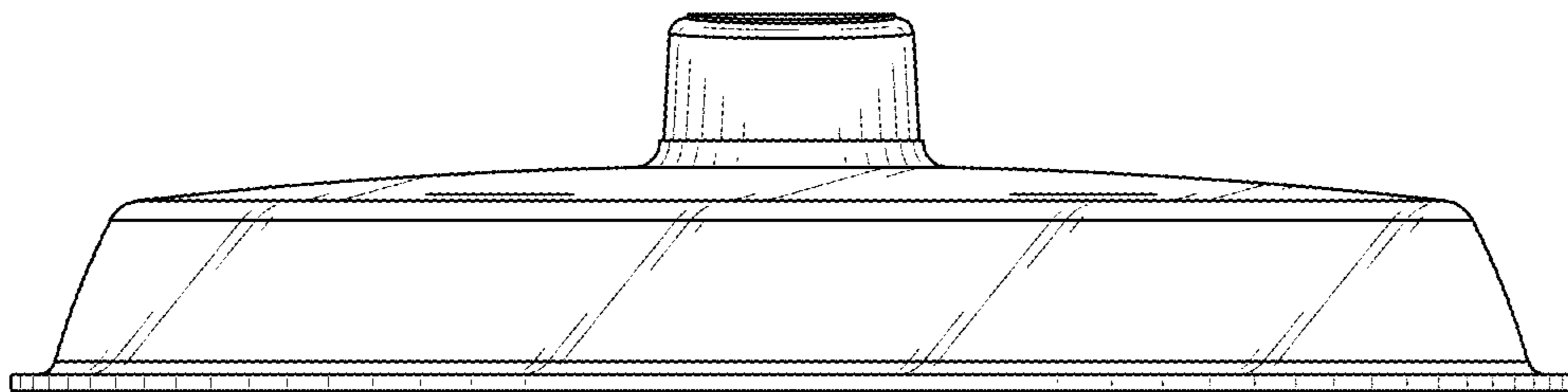


FIG. 6

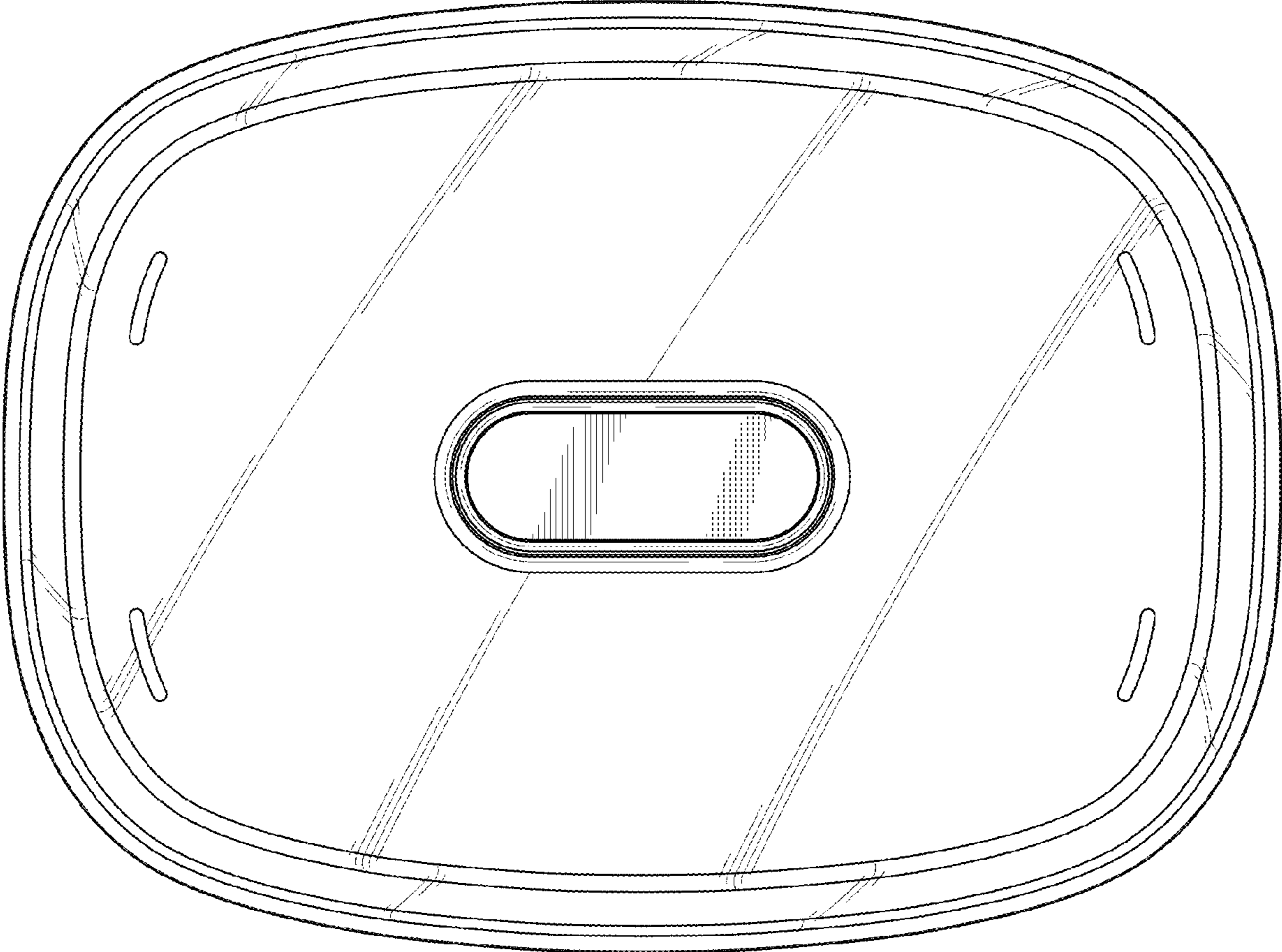


FIG. 7

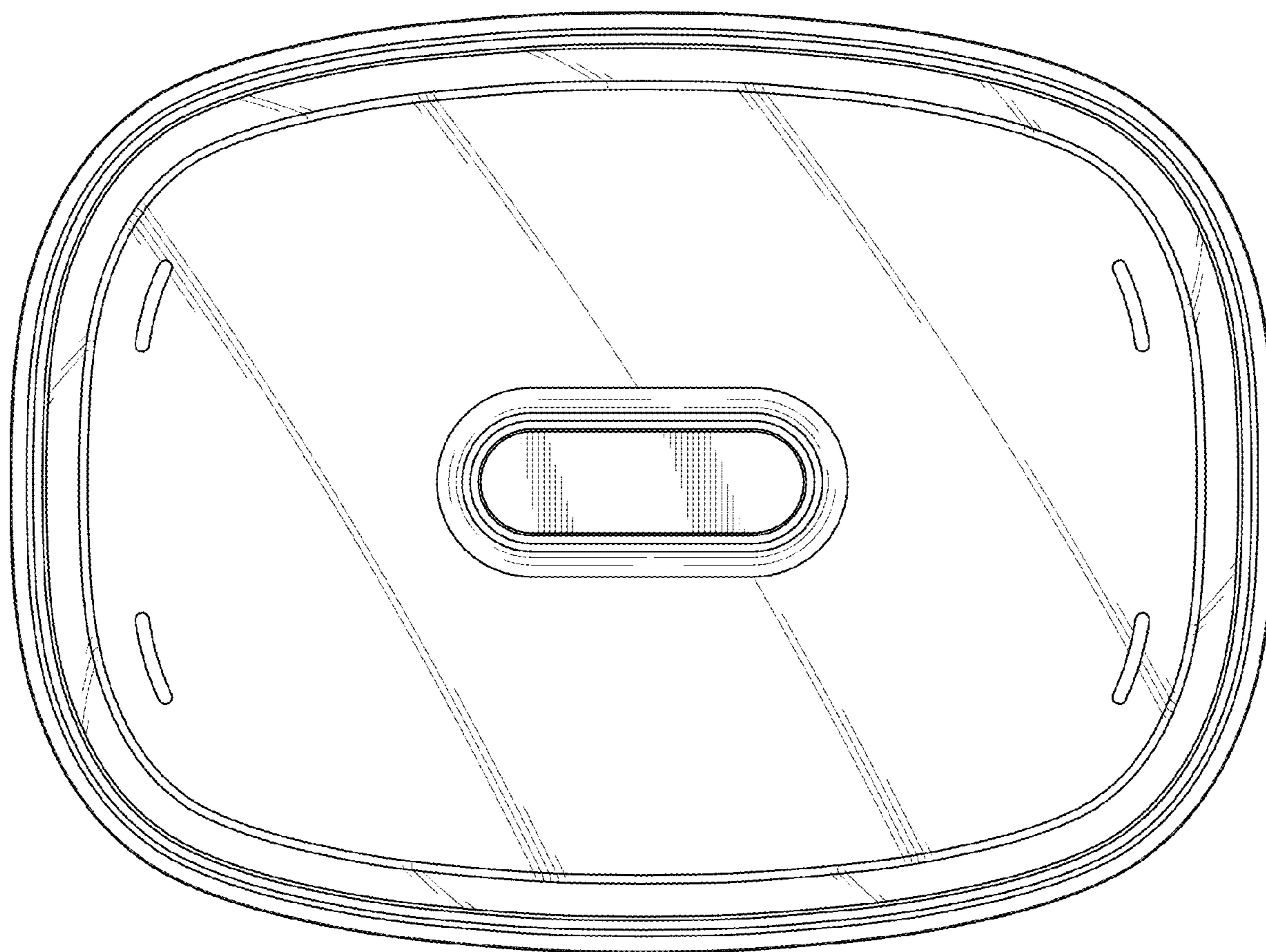


FIG. 8