



US00D952395S

(12) **United States Design Patent**  
**Li**

(10) **Patent No.:** **US D952,395 S**

(45) **Date of Patent:** **\*\* May 24, 2022**

(54) **FRYING PAN**

(71) Applicant: **Wei Li**, Ningbo (CN)

(72) Inventor: **Wei Li**, Ningbo (CN)

(\*\*) Term: **15 Years**

(21) Appl. No.: **29/798,445**

(22) Filed: **Jul. 8, 2021**

(51) **LOC (13) Cl.** ..... **07-02**

(52) **U.S. Cl.**

USPC ..... **D7/360**; D7/354; D7/361

(58) **Field of Classification Search**

USPC ..... D7/323, 354–363, 391, 393–396, 409

CPC ..... A47G 19/12; A47J 27/00; A47J 27/002;

A47J 27/08; A47J 27/21; A47J 27/58;

A47J 27/122; A47J 36/025; A47J 36/06;

A47J 36/08; A47J 36/12; A47J 36/20;

A47J 36/26; A47J 37/00; A47J 37/10;

A47J 37/101; A47J 37/103; A47J 37/12;

A47J 37/1204; A47J 45/061; A47J

45/062; A47J 45/071; A47J 45/08; H05B

6/12

See application file for complete search history.

(56) **References Cited**

**U.S. PATENT DOCUMENTS**

2,008,767	A *	7/1935	John	.....	A47J 37/10
					126/41 R
D373,285	S *	9/1996	Coroama	.....	D7/359
D414,981	S *	10/1999	Roskind	.....	D7/359
D519,778	S	5/2006	Brasset		
D672,604	S *	12/2012	Upston	.....	D7/354
D712,193	S	9/2014	Nagrani		
D761,614	S *	7/2016	Zemel	.....	D7/354
D779,871	S *	2/2017	Zemel	.....	D7/354
D860,727	S *	9/2019	Eom	.....	D7/354
D871,139	S *	12/2019	Peterson	.....	D7/409

D876,877	S *	3/2020	Cheng	.....	D7/359
D896,029	S *	9/2020	Thompson	.....	D7/409
D922,130	S *	6/2021	Yang	.....	D7/360
2011/0041708	A1 *	2/2011	Groll	.....	A47J 27/002
					164/112
2012/0055346	A1 *	3/2012	Navare	.....	A47J 37/10
					99/446

**OTHER PUBLICATIONS**

Bruntmor Store Enameled Deep Round Grill Cast Iron Griddle Pan. Date First Available on Amazon.com Dec. 27, 2021. <https://www.amazon.com/dp/B09PB4QCKK/ref> (Year: 2021).\*

Lodge 12" Cast Iron Dual Handle Grill Pan. Date last reviewed on Amazon.com Nov. 30, 2020. <https://www.amazon.com/Lodge-Cast-Handle-Grill-Black/dp/B087QS1BV9/ref> (Year: 2020).\*

\* cited by examiner

*Primary Examiner* — Ricky Pham

(57) **CLAIM**

The ornamental design for a frying pan, as shown and described.

**DESCRIPTION**

FIG. 1 is a perspective view of a frying pan showing my new design;

FIG. 2 is another perspective view thereof;

FIG. 3 is a front elevational view thereof;

FIG. 4 is a rear elevational view thereof;

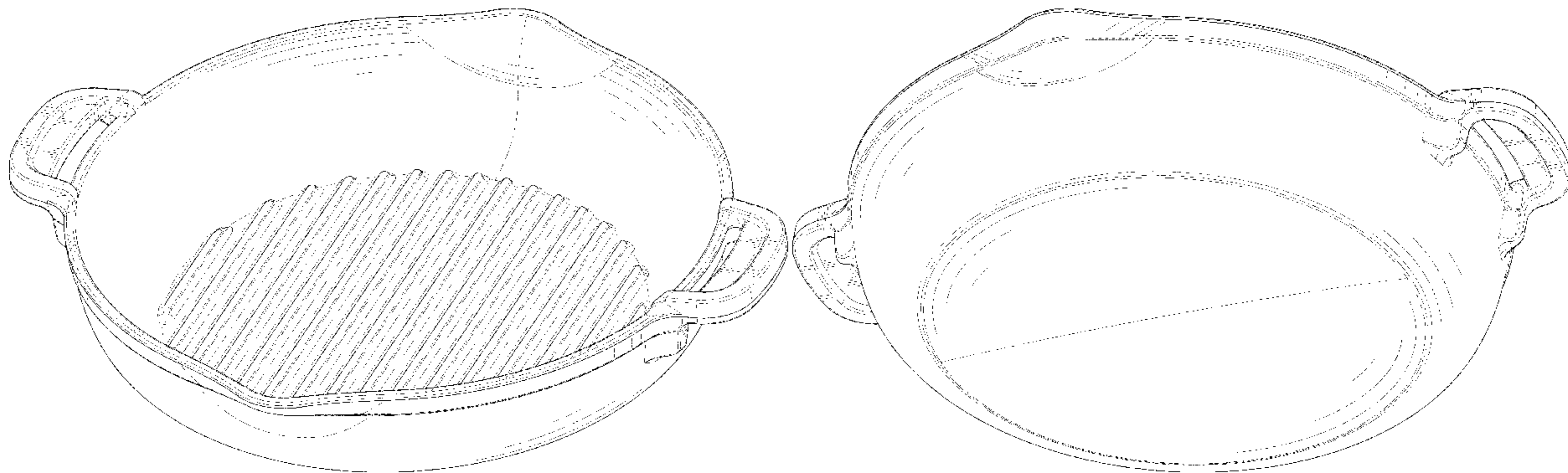
FIG. 5 is a left side elevational view thereof;

FIG. 6 is a right side elevational view thereof;

FIG. 7 is a top plan view thereof; and,

FIG. 8 is a bottom plan view thereof.

**1 Claim, 8 Drawing Sheets**



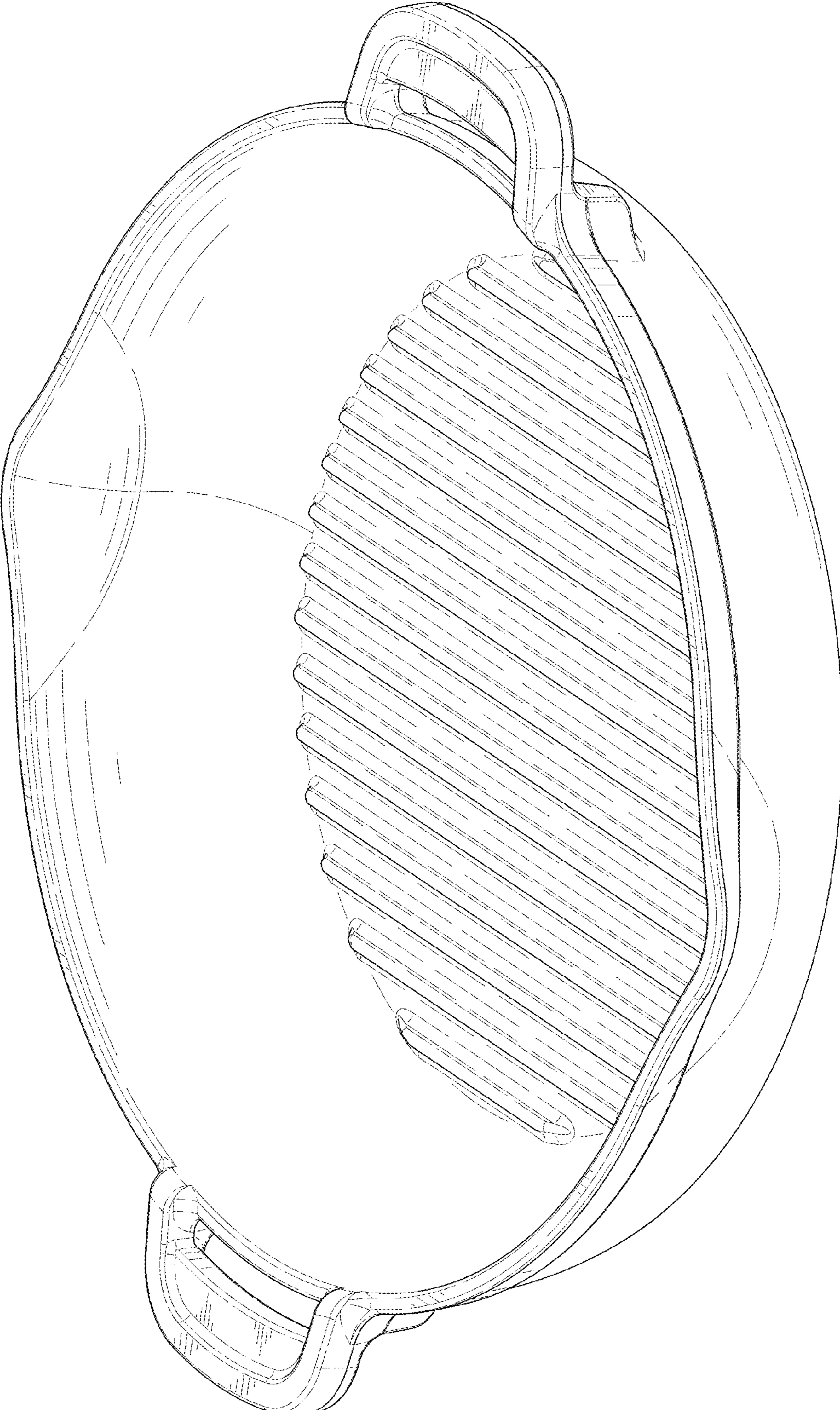


FIG. 1



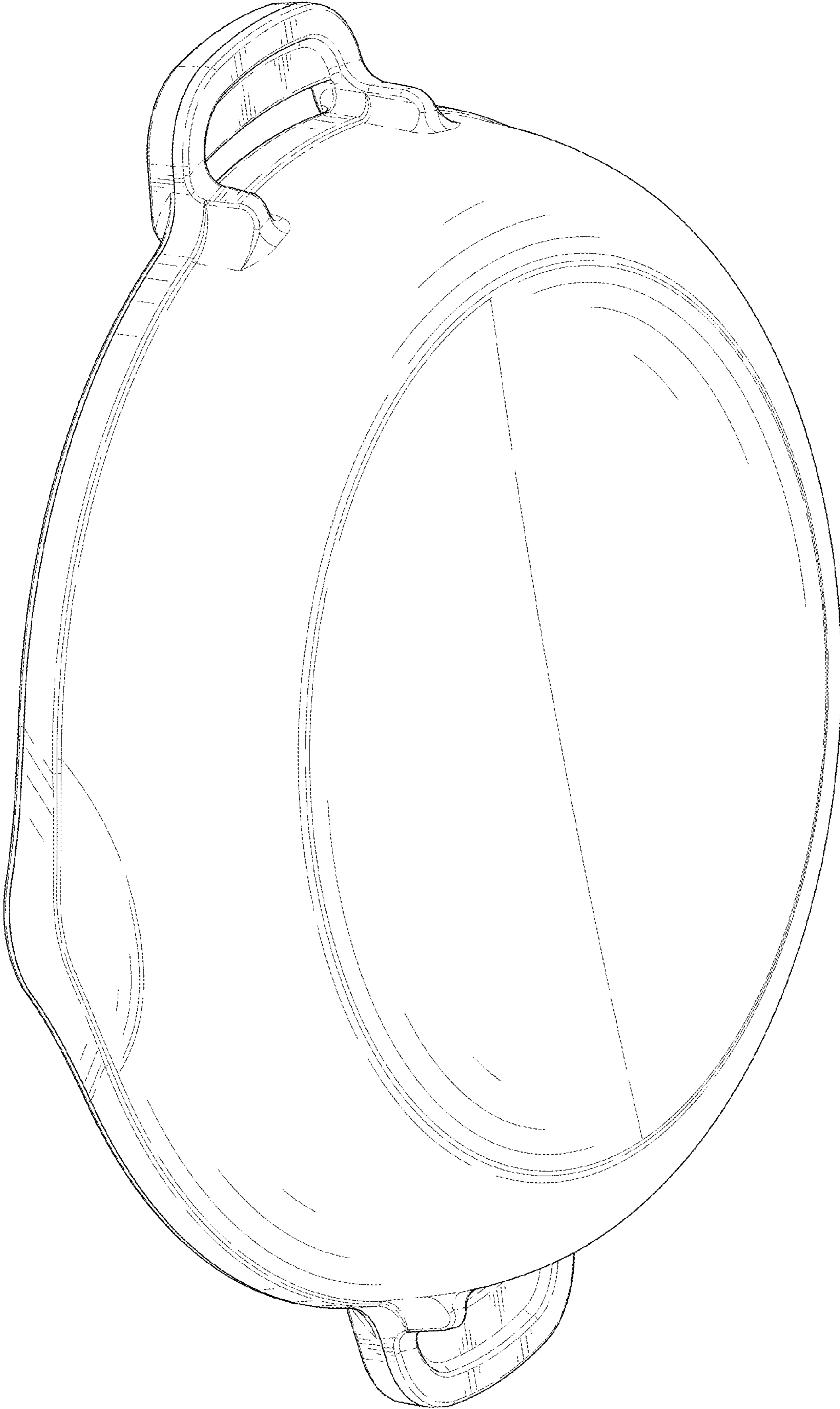


FIG. 2

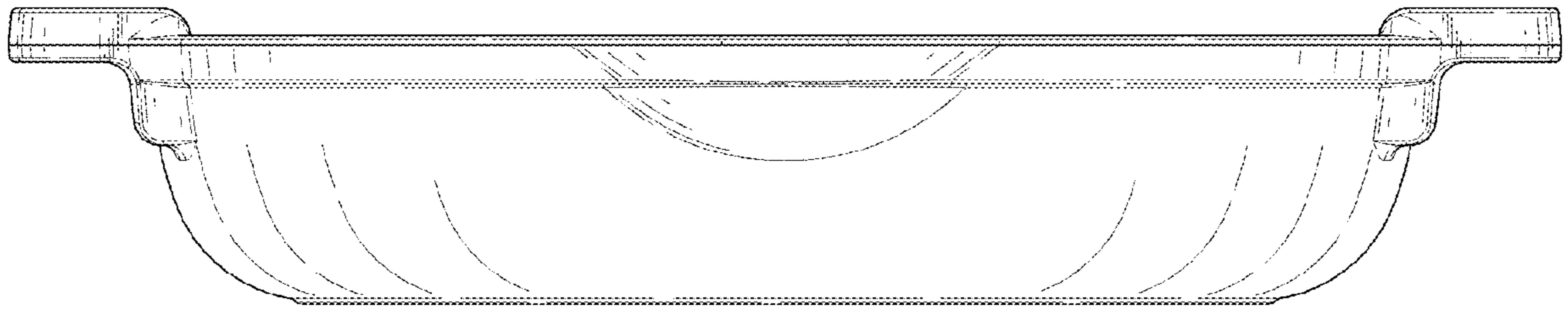


FIG. 3

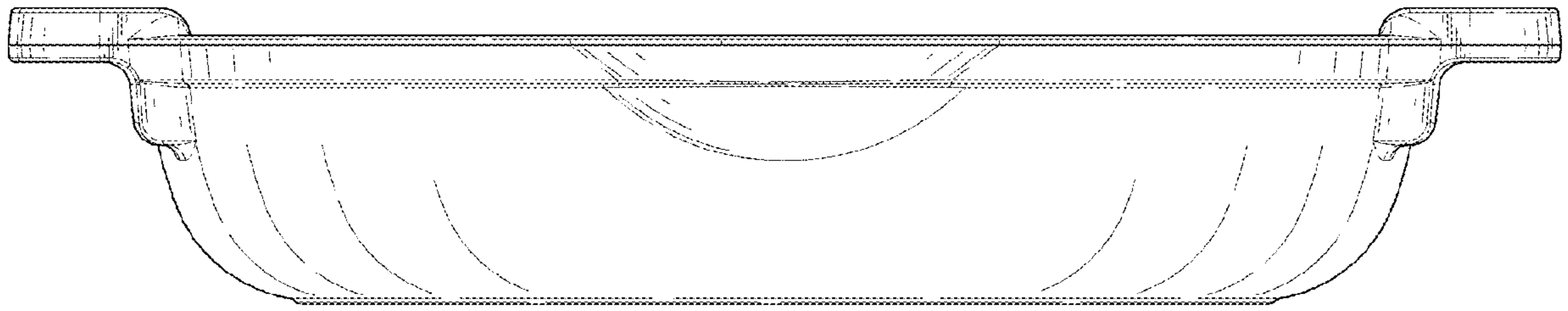


FIG. 4

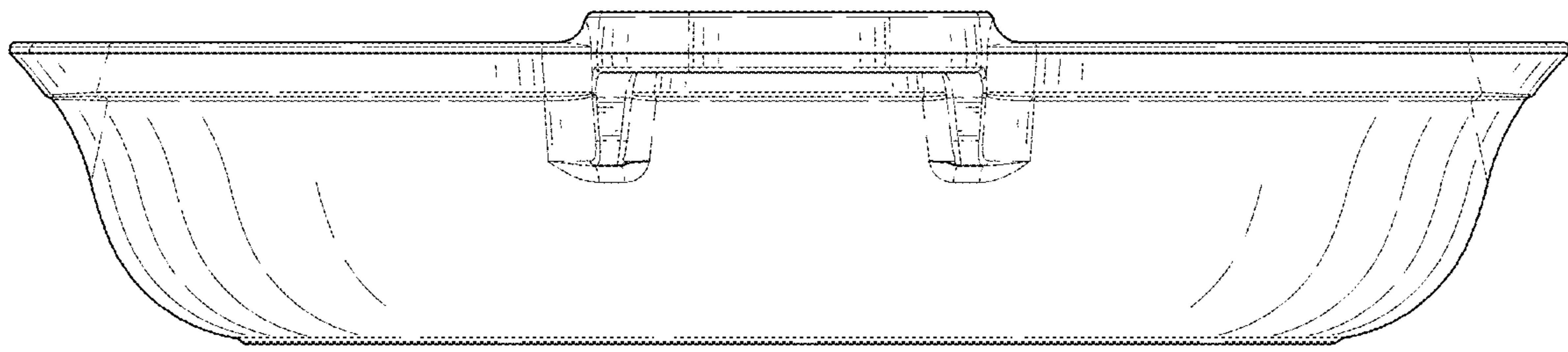


FIG. 5

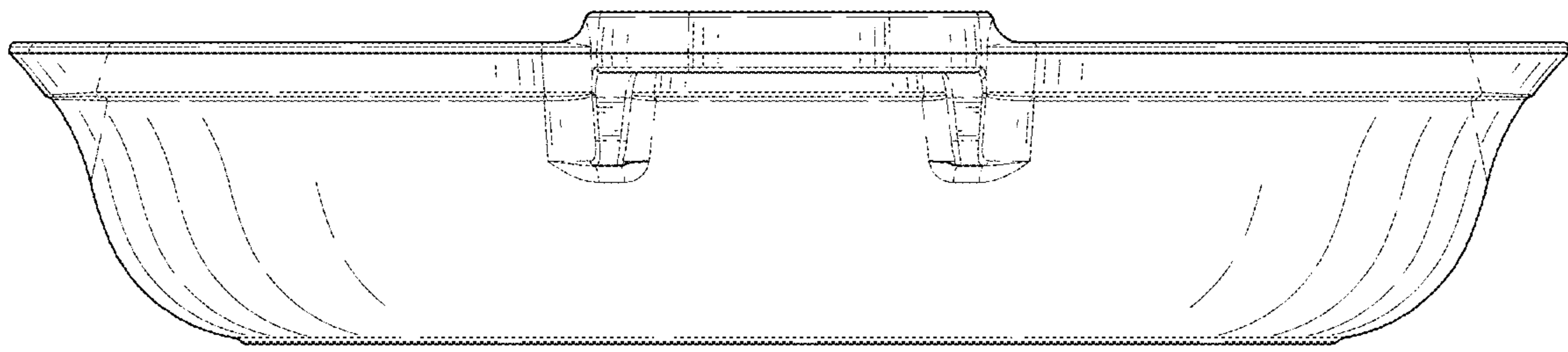


FIG. 6

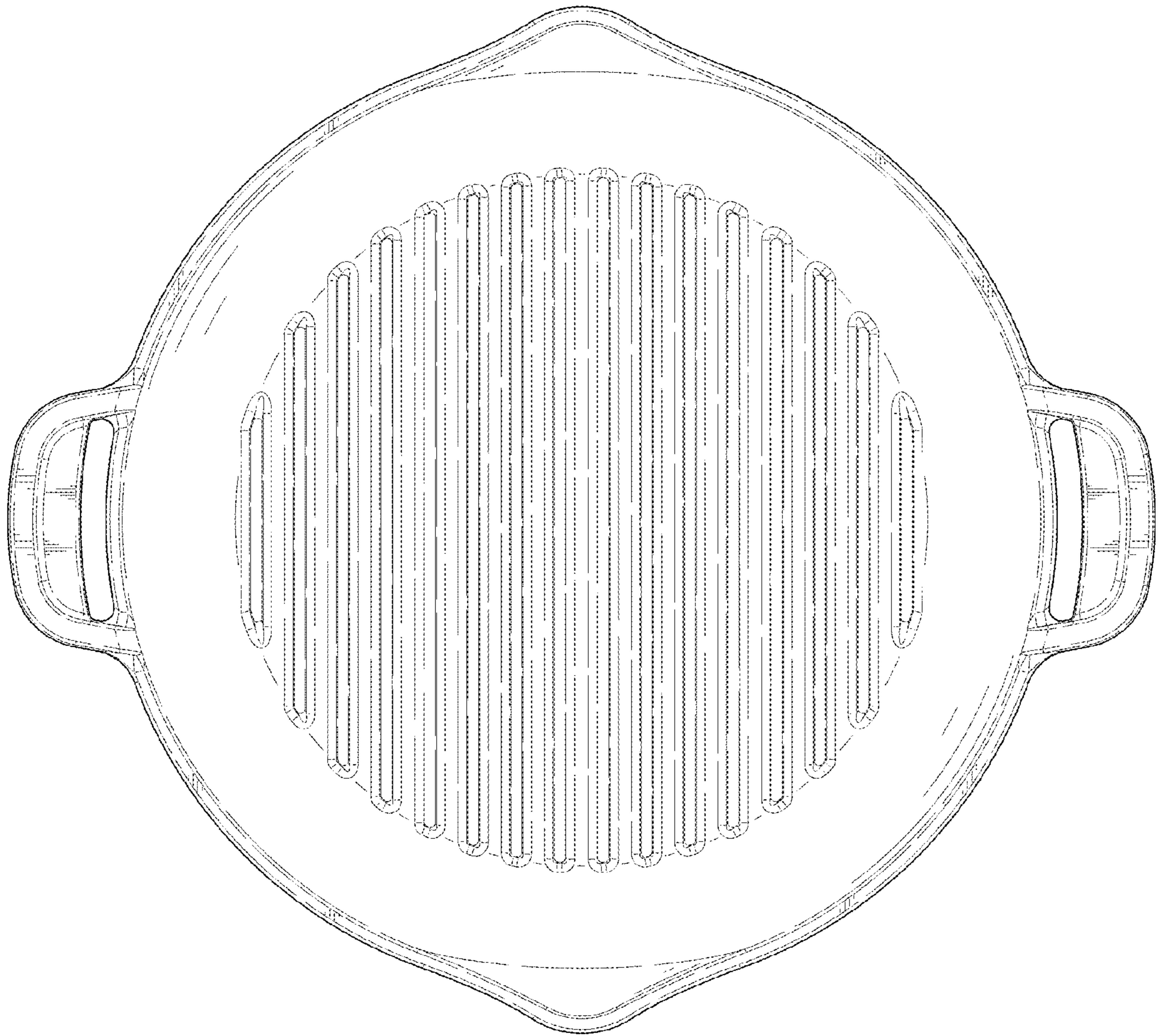


FIG. 7



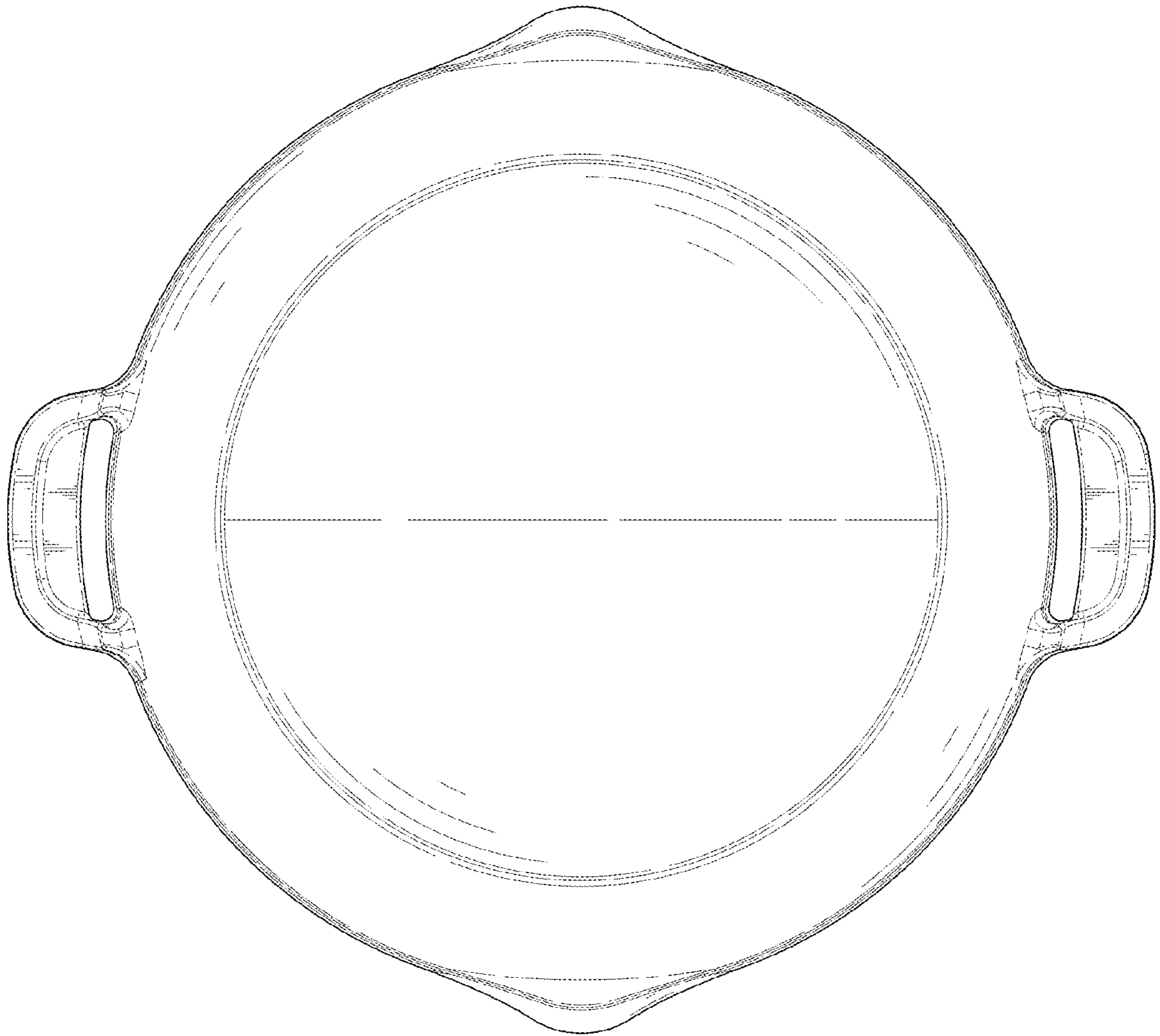


FIG. 8