



US00D952394S

(12) **United States Design Patent**
Zhang

(10) **Patent No.:** **US D952,394 S**

(45) **Date of Patent:** **** May 24, 2022**

- (54) **PAN**
- (71) Applicant: **Siduo Zhang**, Guangdong (CN)
- (72) Inventor: **Siduo Zhang**, Guangdong (CN)
- (73) Assignee: **GUANGZHOU BAOMEI NETWORK TECHNOLOGY CO., LTD.**, Guangzhou (CN)
- (**) Term: **15 Years**
- (21) Appl. No.: **29/785,923**
- (22) Filed: **May 27, 2021**
- (51) **LOC (13) Cl.** **07-02**
- (52) **U.S. Cl.**
USPC **D7/360; D7/354; D7/361**
- (58) **Field of Classification Search**
USPC D7/323, 354–363, 391, 393–396, 409
CPC A47G 19/12; A47J 27/00; A47J 27/002;
A47J 27/08; A47J 27/21; A47J 27/58;
A47J 27/122; A47J 36/022; A47J 36/025;
A47J 36/06; A47J 36/12; A47J 37/00;
A47J 37/10; A47J 37/101; A47J 37/103;
A47J 37/12; A47J 37/1204; A47J 45/061;
A47J 45/062; A47J 45/071; A47J 45/08;
H05B 6/12
See application file for complete search history.

- (56) **References Cited**
U.S. PATENT DOCUMENTS
4,026,435 A * 5/1977 Hendon A47J 36/022
220/759
D453,092 S * 1/2002 Coudurier D7/361

- D521,313 S * 5/2006 Pukall D7/361
- D600,971 S * 9/2009 Garpelin D7/354
- D603,211 S * 11/2009 Ek D7/354
- D619,847 S * 7/2010 Lin D7/354
- D698,197 S * 1/2014 Andersson D7/354
- D746,099 S * 12/2015 Pal D7/354
- D797,494 S 9/2017 Mirchandani et al.
- D876,152 S 2/2020 Levy
- D913,030 S * 3/2021 Hollinger D7/354

OTHER PUBLICATIONS

YBM Home Stainless Steel Saute Pan/Fry Pan. Date First Available on Amazon.com Aug. 1, 2013. <https://www.amazon.com/dp/B06XCYRCQ6/ref> (Year: 2013).*

* cited by examiner

Primary Examiner — Ricky Pham

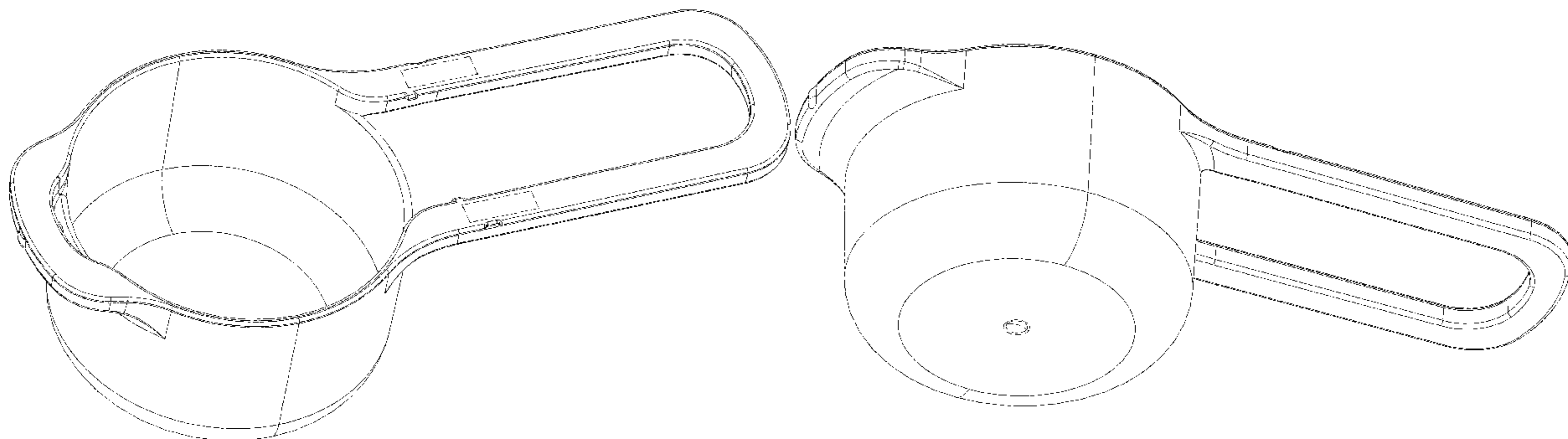
(57) **CLAIM**

The ornamental design for a pan, as shown and described.

DESCRIPTION

FIG. 1 is a top, front, right side perspective view of a pan showing my new design;
 FIG. 2 is a bottom, front, right side perspective view thereof;
 FIG. 3 is a front elevation view thereof;
 FIG. 4 is a rear elevation view thereof;
 FIG. 5 is a right side elevation view thereof, the left side elevation view being a mirror image of the right side elevation view;
 FIG. 6 is a top plan view thereof; and,
 FIG. 7 is a bottom plan view thereof.
 The broken lines in the drawings illustrate portions of the pan that form no part of the claimed design.

1 Claim, 6 Drawing Sheets



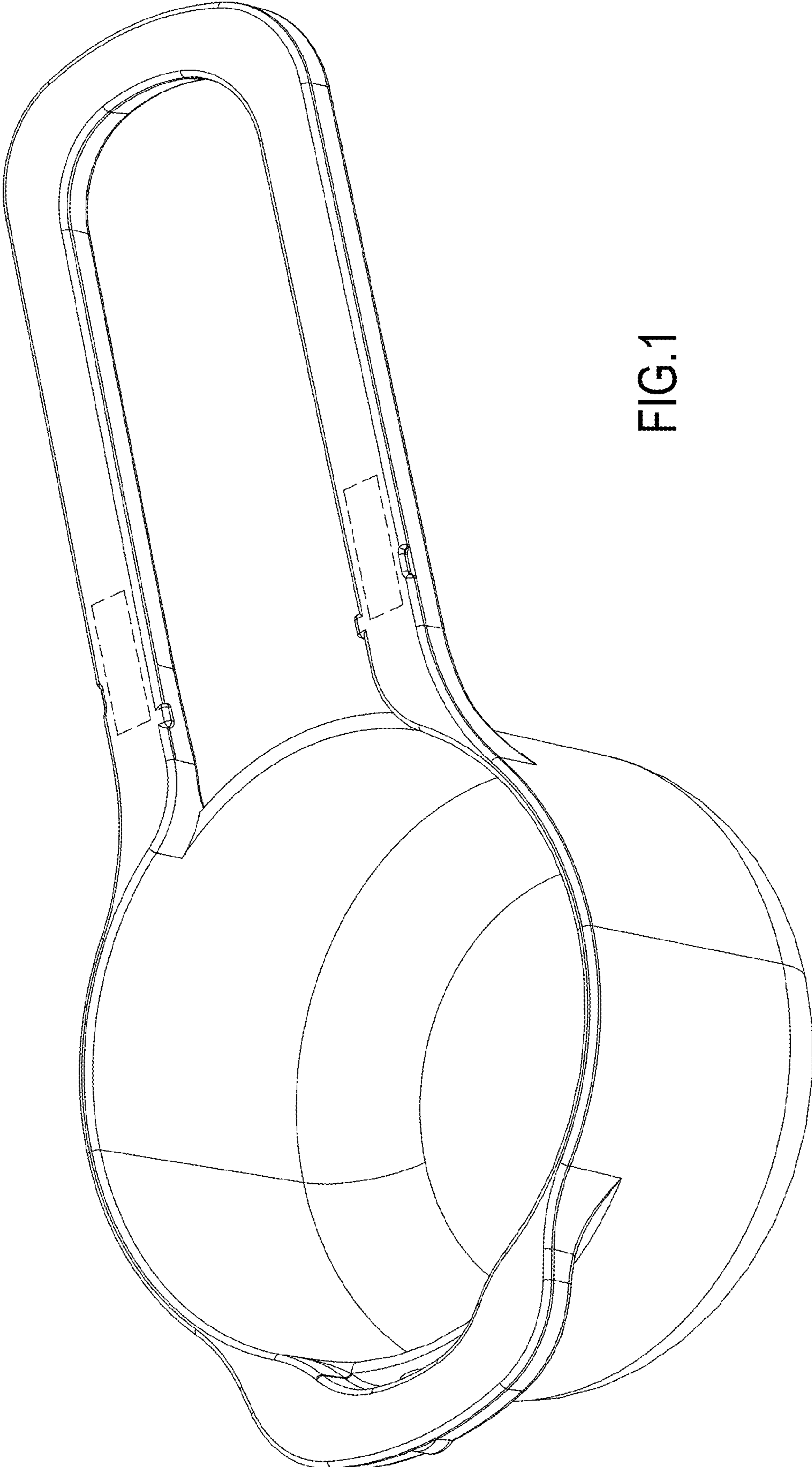


FIG.1

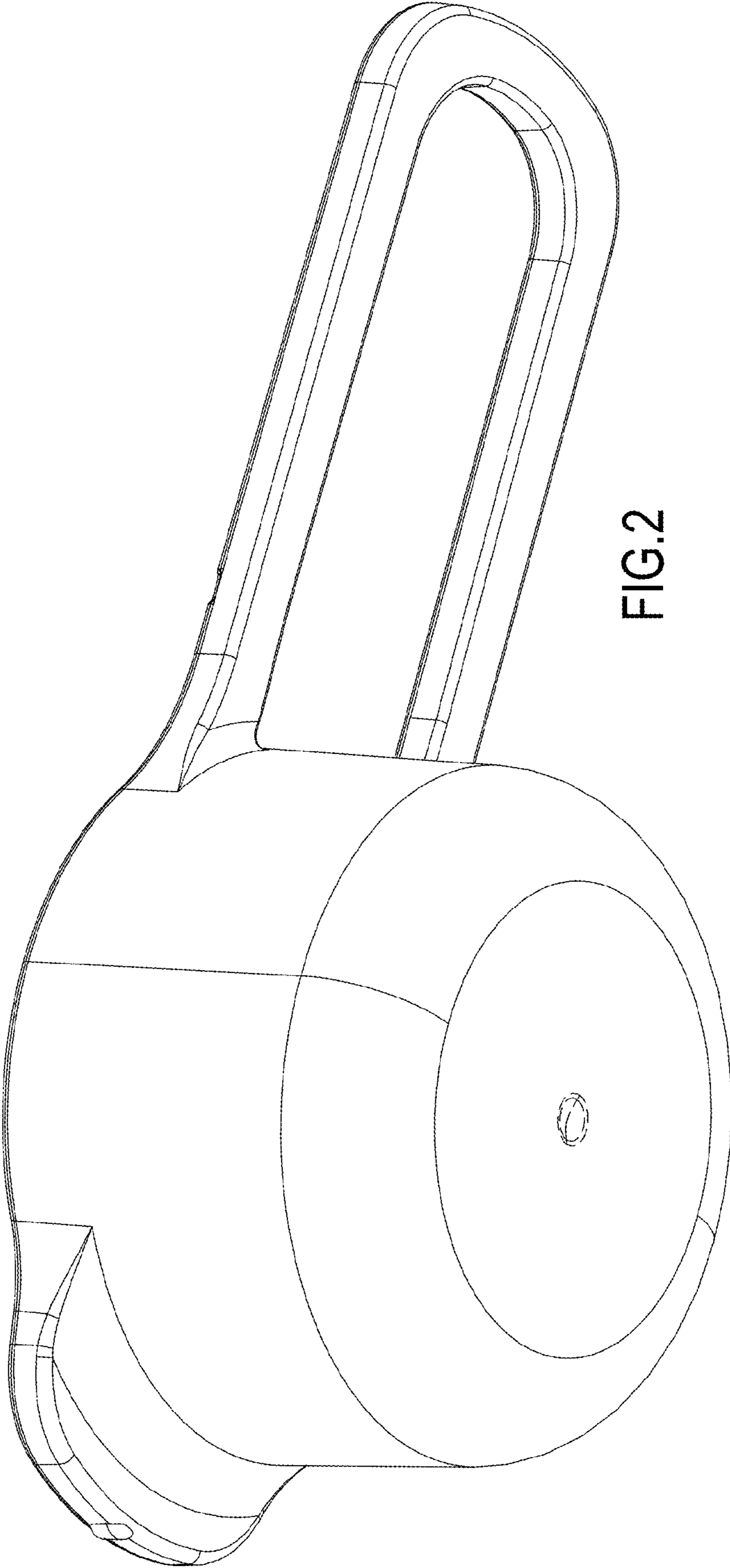


FIG. 2

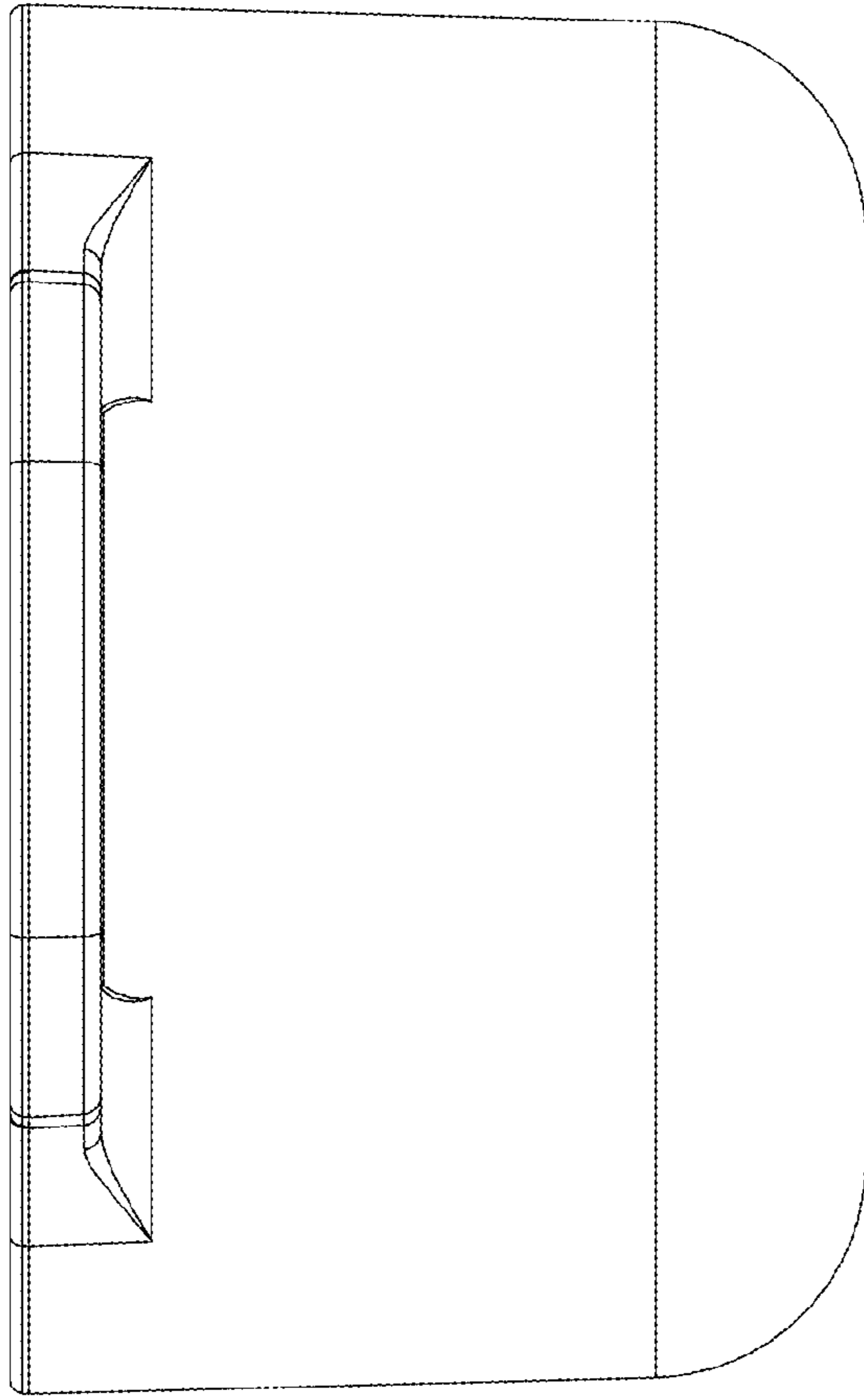


FIG. 3

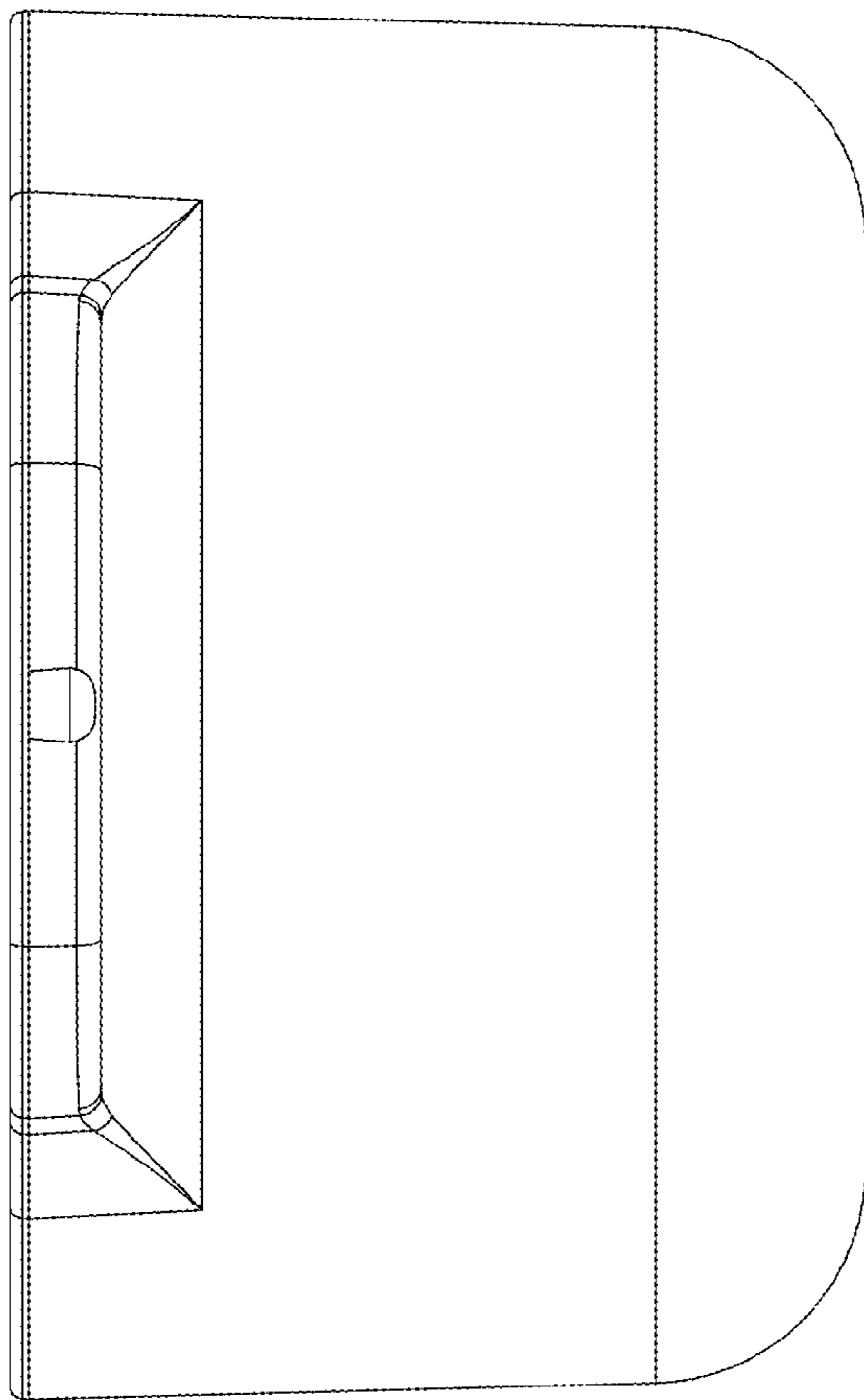


FIG. 4

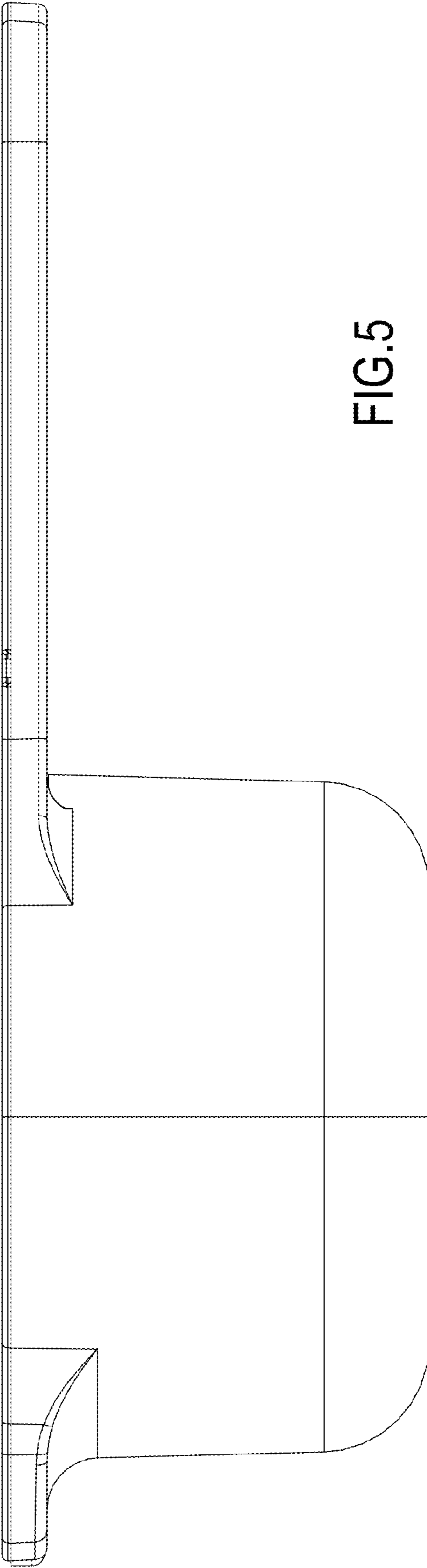


FIG. 5

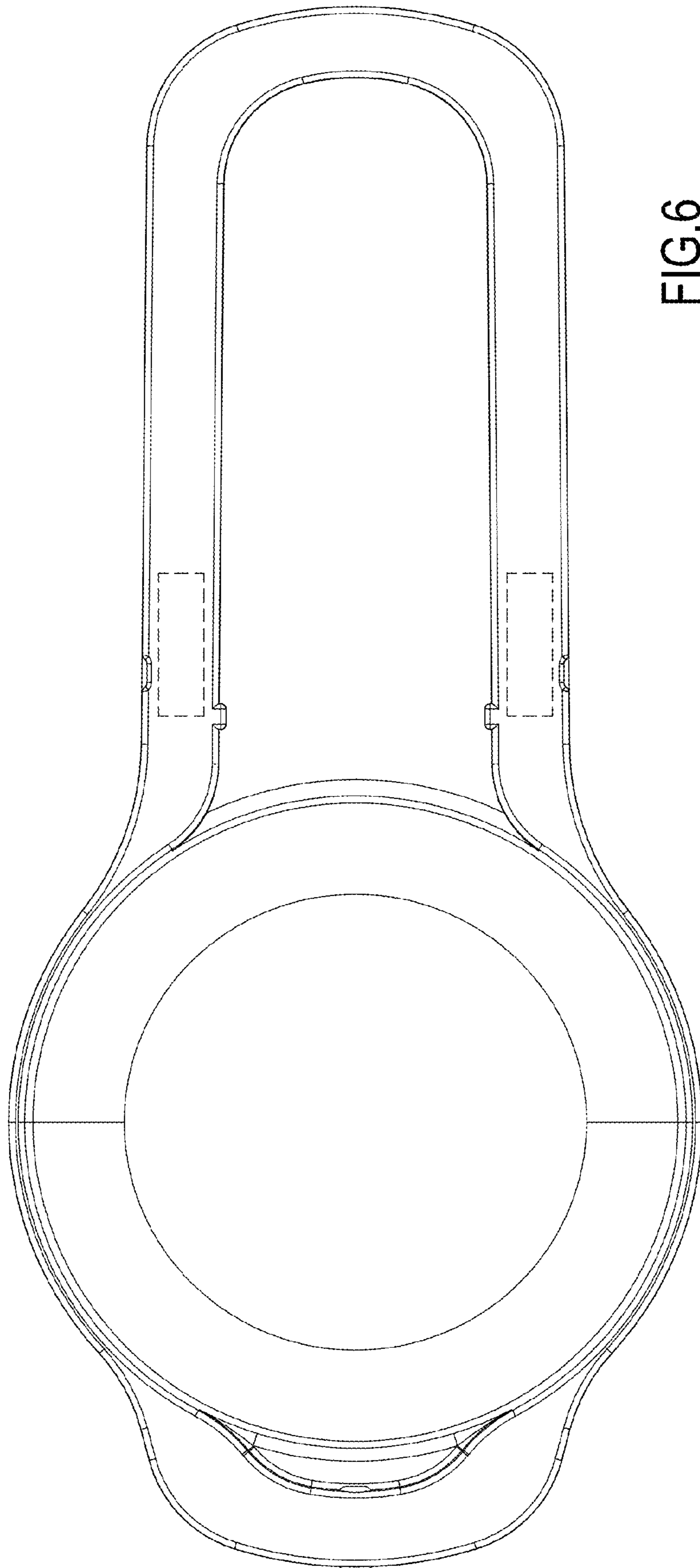


FIG.6

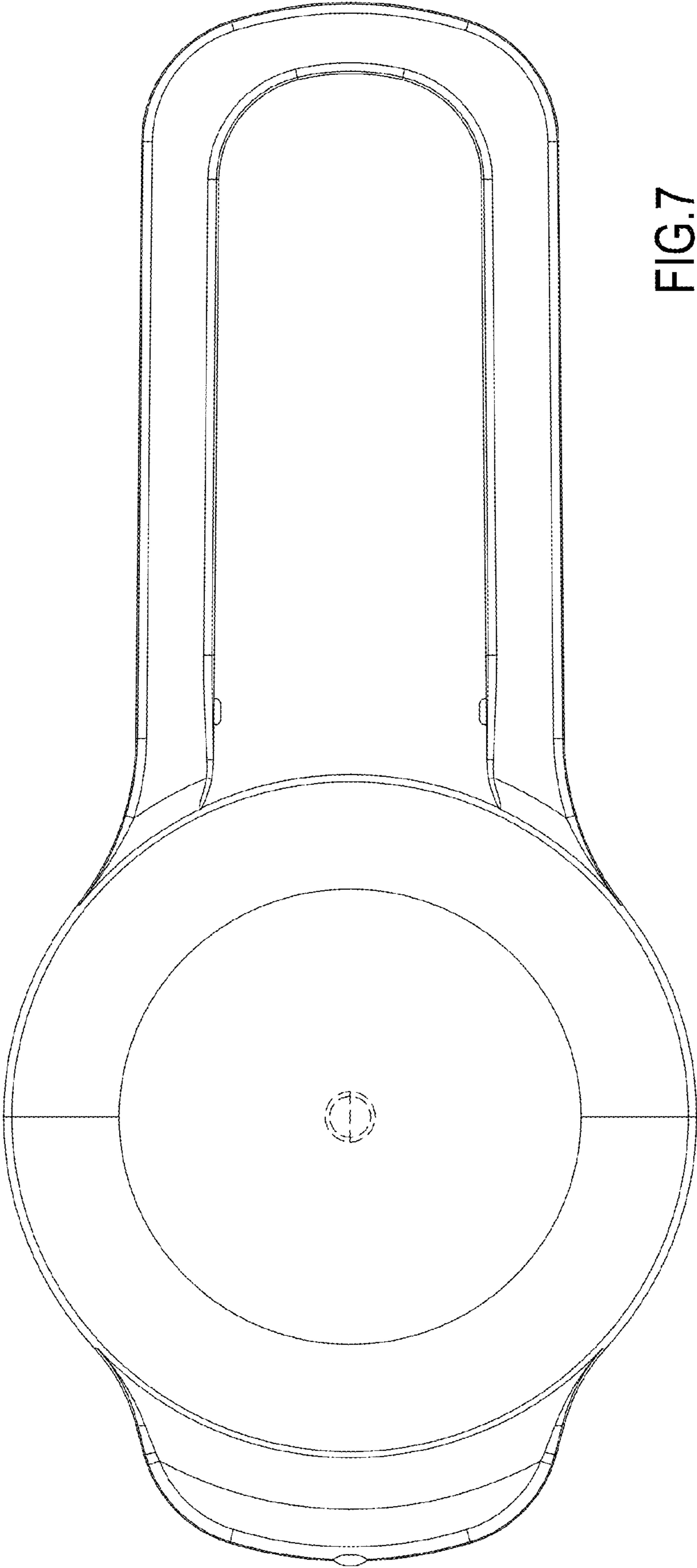


FIG. 7