

US00D952392S

(12) **United States Design Patent** (10) **Patent No.:** **US D952,392 S**
Wang (45) **Date of Patent:** **** May 24, 2022**

(54) **OVEN**
(71) Applicant: **ILLINOIS TOOL WORKS INC.**,
Glenview, IL (US)
(72) Inventor: **Fuli Wang**, Guangdong (CN)
(73) Assignee: **ILLINOIS TOOL WORKS INC.**,
Glenview, IL (US)

D525,476 S 7/2006 Bengtson
D527,948 S 9/2006 Bengtson
D560,958 S 2/2008 Shin
D567,828 S * 4/2008 Moran F24C 14/005
D15/79
D568,089 S * 5/2008 Hillmann D7/347
(Continued)

(**) Term: **15 Years**
(21) Appl. No.: **29/739,177**
(22) Filed: **Jun. 23, 2020**

(30) **Foreign Application Priority Data**
Dec. 27, 2019 (CN) 201930734789.7
(51) **LOC (13) Cl.** **07-02**
(52) **U.S. Cl.**
USPC **D7/350.1**
(58) **Field of Classification Search**
USPC D7/323, 328, 332-337, 339, 340,
D7/347-351, 354, 387, 393, 396, 402,
D7/405-409
CPC A47J 37/00; A47J 37/06; A47J 37/0605;
A47J 37/0623; A47J 37/0629; A47J
37/0635; A47J 37/0641; A47J 37/0647;
A47J 37/0658; F24C 7/00; F24C 7/02;
F24C 7/04
See application file for complete search history.

(56) **References Cited**
U.S. PATENT DOCUMENTS
4,924,072 A * 5/1990 Oslin F24C 15/325
219/400
D343,090 S * 1/1994 Connell D7/339
D384,544 S * 10/1997 Lieblein D7/350.4
D424,862 S 5/2000 Holbrook
D468,962 S 1/2003 Jones
D524,095 S 7/2006 Pino

OTHER PUBLICATIONS

Combi Steam Ovens, Vulcan Equipment, [online], [site visited Feb. 10, 2022], Available from internet URL: <https://www.vulcanequipment.com/combi> (Year: 2022).*
(Continued)

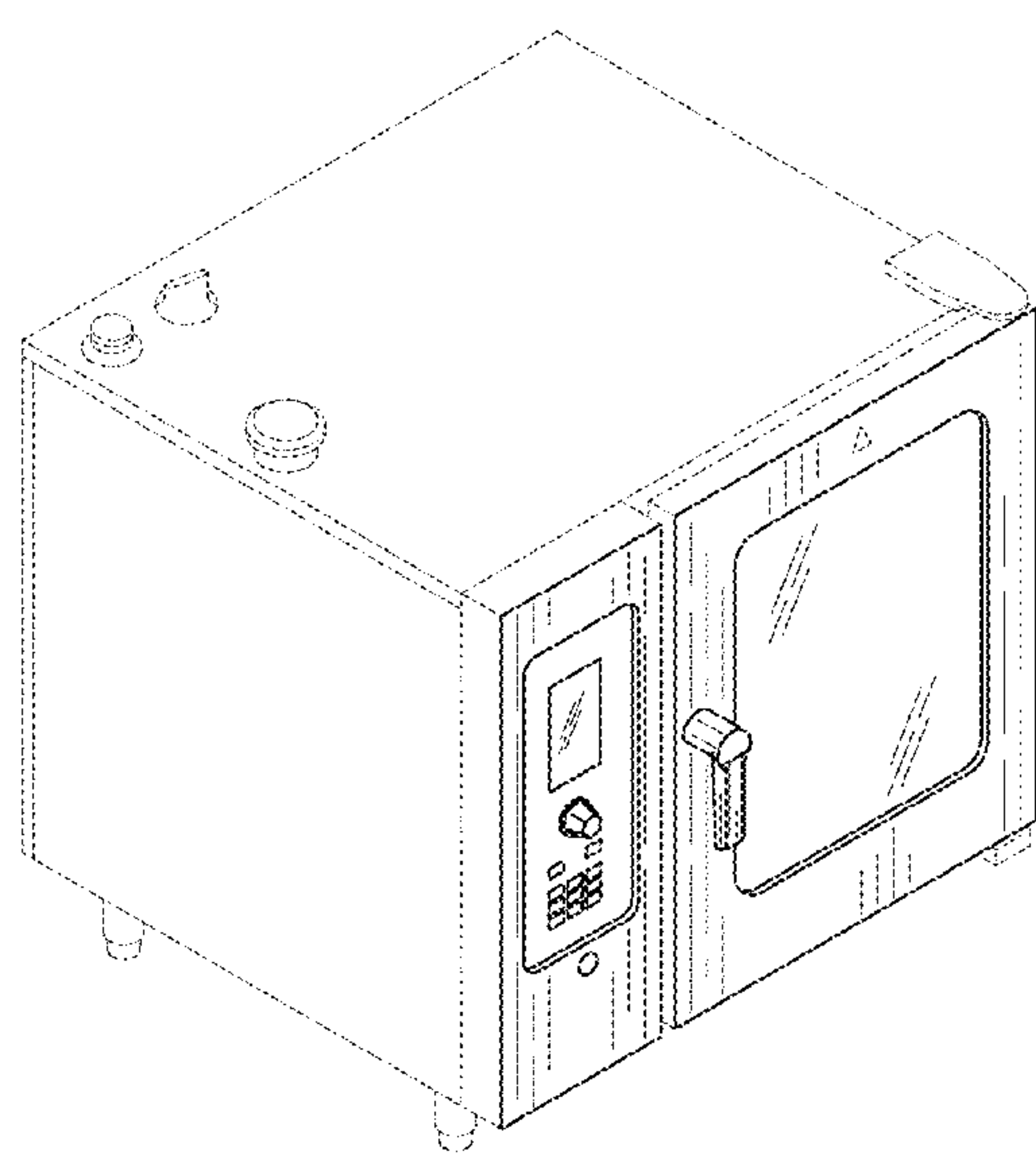
Primary Examiner — Mary Ann Calabrese
Assistant Examiner — Natalya M Rapundalo
(74) *Attorney, Agent, or Firm* — Thompson Hine LLP

(57) **CLAIM**
The ornamental design for an oven, as shown and described.

DESCRIPTION

FIG. 1 is a perspective view of an oven according to a first embodiment;
FIG. 2 is top view thereof;
FIG. 3 is a front view thereof;
FIG. 4 is right side view thereof;
FIG. 5 is a left side view thereof;
FIG. 6 is a bottom thereof;
FIG. 7 is a perspective view of an oven according to a second embodiment;
FIG. 8 is top view thereof;
FIG. 9 is a front view thereof;
FIG. 10 is a right side view thereof;
FIG. 11 is a left side view thereof; and,
FIG. 12 is a bottom view thereof.
The broken lines represent portions of the oven and form no part of the claimed design.

1 Claim, 8 Drawing Sheets



(56)

References Cited

U.S. PATENT DOCUMENTS

D612,209 S 3/2010 Crookshanks
 D612,682 S 3/2010 Baker
 D657,184 S * 4/2012 Segato D7/348
 D671,790 S 12/2012 Busalt
 D702,482 S * 4/2014 Davis D7/350.1
 D709,726 S 7/2014 Borjesson
 D710,646 S 8/2014 Borjesson
 D724,889 S 3/2015 Borjesson
 D736,028 S * 8/2015 Baacke D7/348
 D741,104 S 10/2015 Funnell, II
 D754,476 S 4/2016 Crookshanks
 D757,481 S * 5/2016 Schwamkrug D7/339
 D764,852 S * 8/2016 Schwamkrug D7/339
 D773,231 S * 12/2016 Franzolin D7/339
 D814,231 S 4/2018 Kim
 D817,067 S 5/2018 Shoemaker
 D817,705 S 5/2018 Kim
 D821,799 S 7/2018 Kim

D821,813 S 7/2018 Kim
 D829,484 S 10/2018 Kim
 D838,133 S 1/2019 Fuller
 D840,184 S 2/2019 Kim
 D840,185 S 2/2019 Kim
 D880,218 S 4/2020 Kim
 D899,175 S * 10/2020 Manicardi D7/339
 D932,230 S * 10/2021 Wang F24C 15/325
 D7/348
 2010/0140247 A1 6/2010 Watkins
 2012/0031389 A1 2/2012 McMaster
 2017/0045233 A1 * 2/2017 Stephens F24C 14/005

OTHER PUBLICATIONS

Convection Ovens, Dexion, [online], [site visited Feb. 10, 2022], Available from internet URL: <https://www.dexion.it/en/dexion-convection-ovens/176/> (Year: 2022).*

* cited by examiner

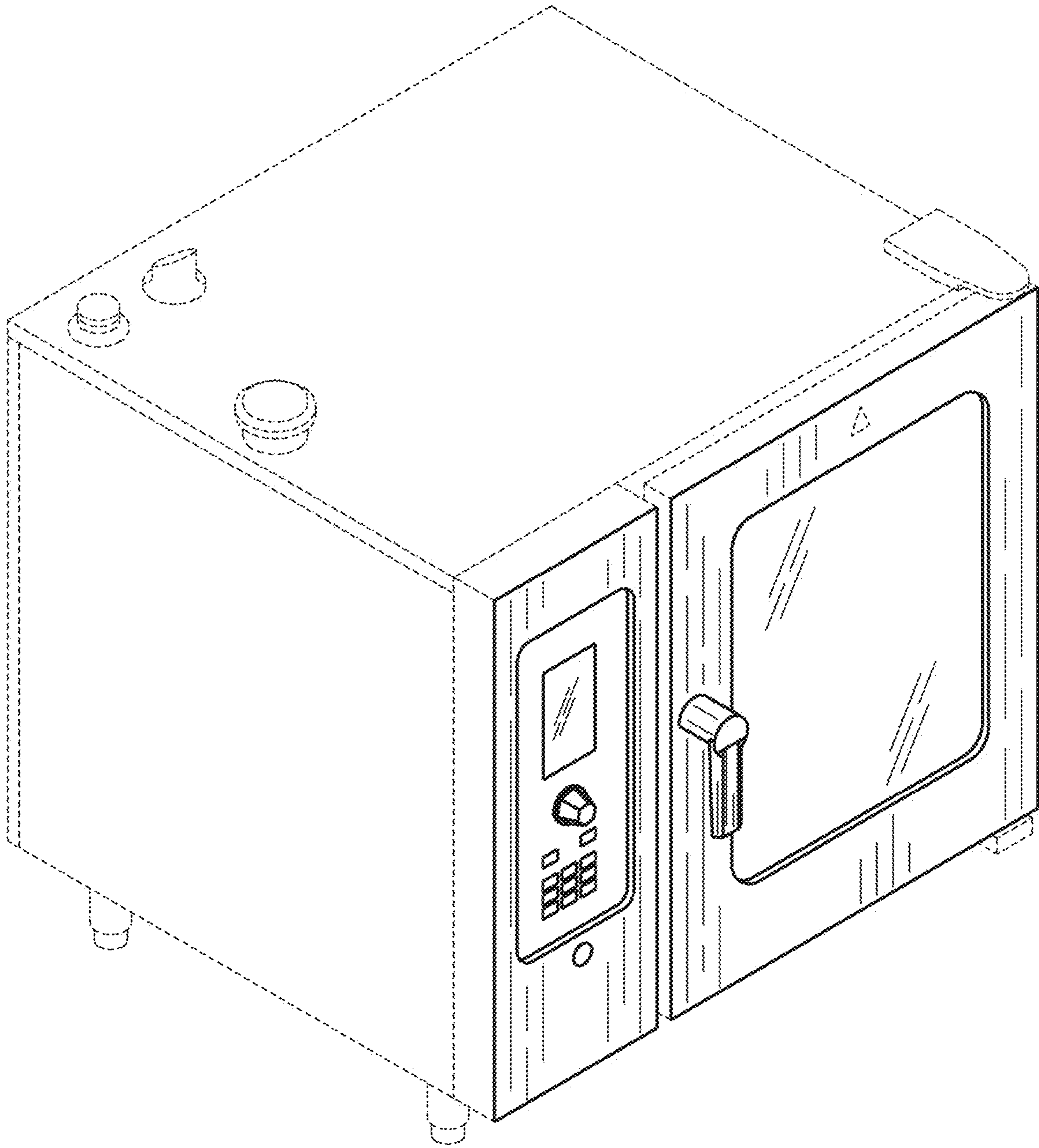


Fig. 1

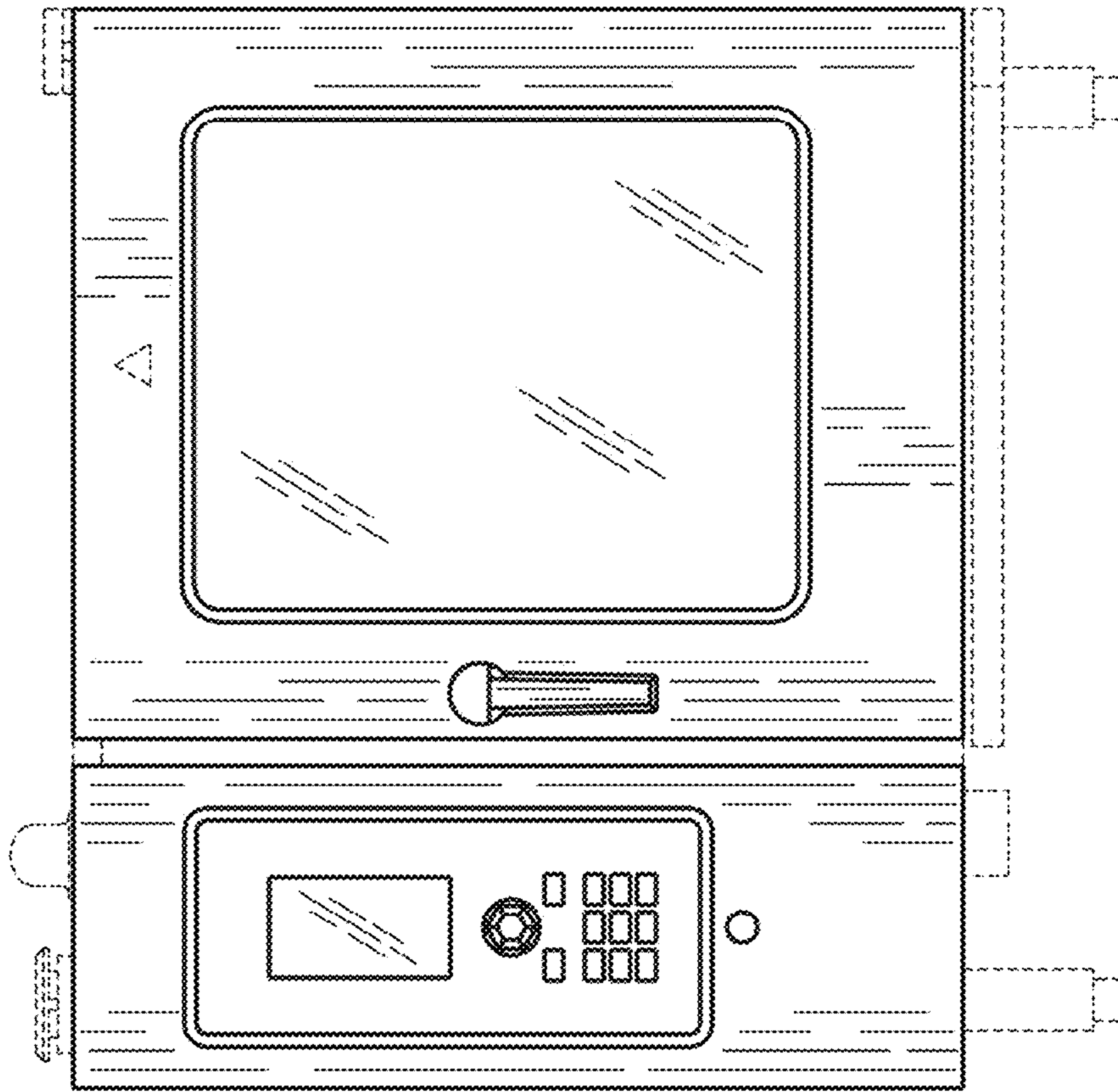


Fig. 3

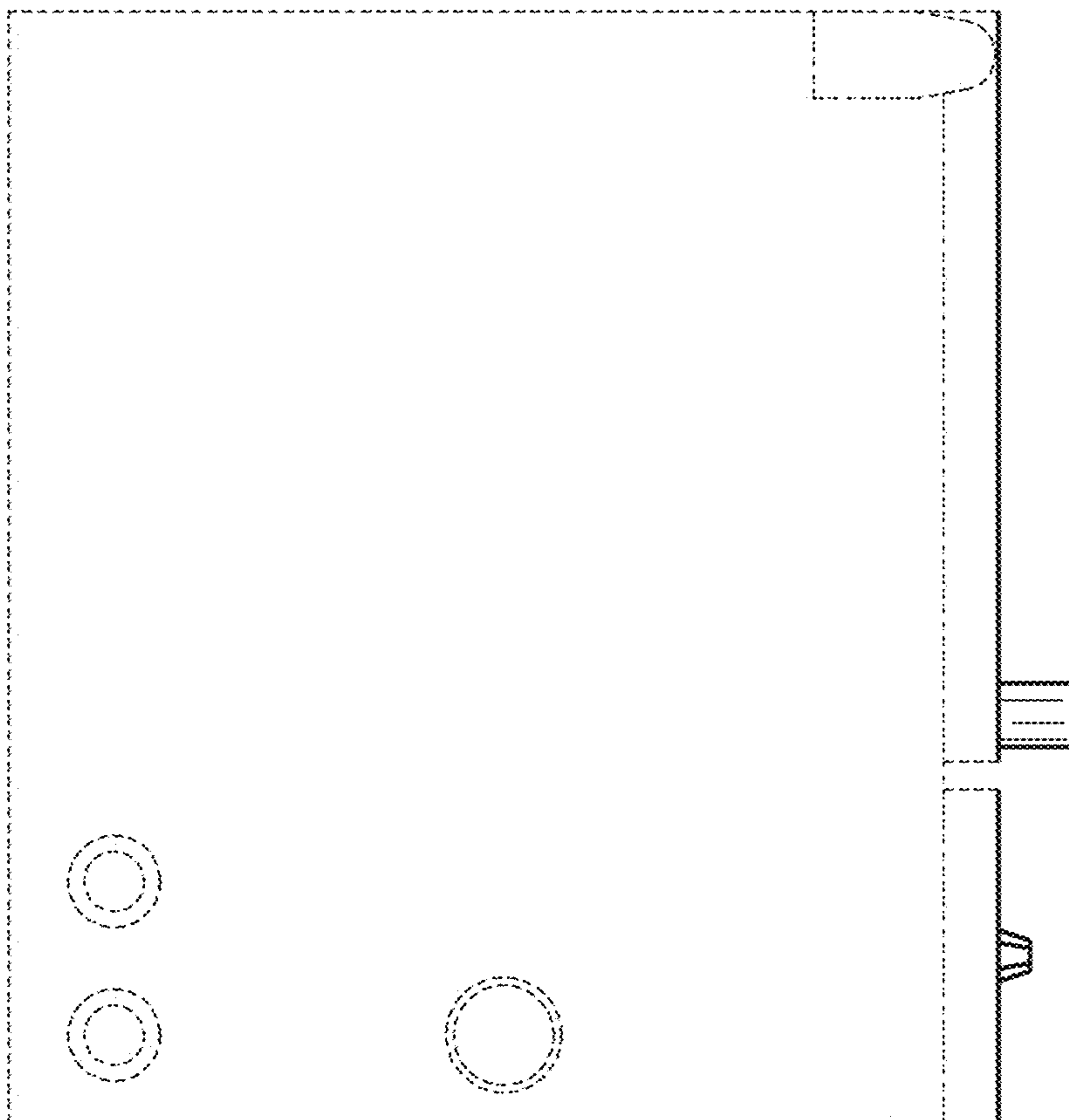


Fig. 2

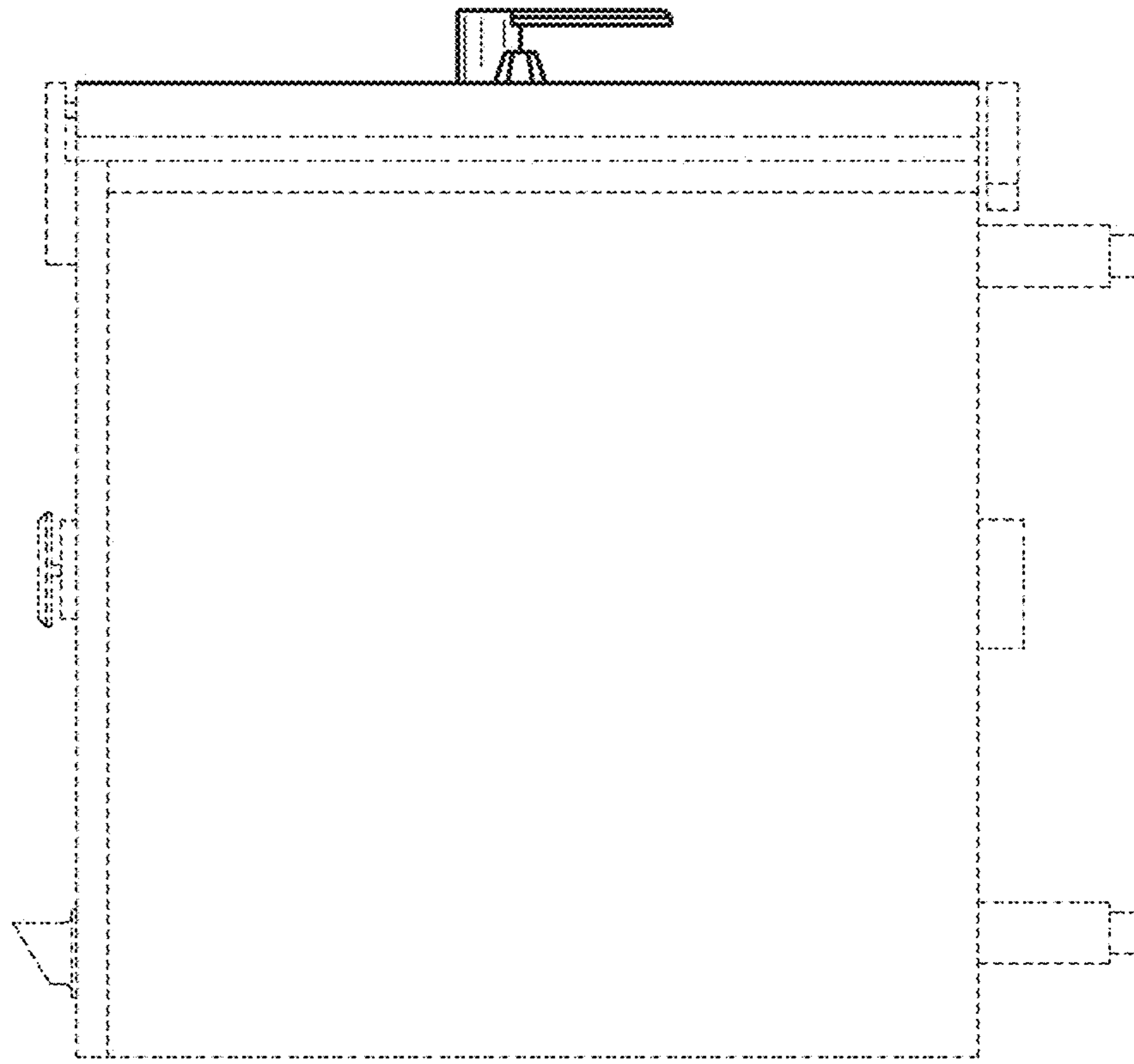


Fig. 4

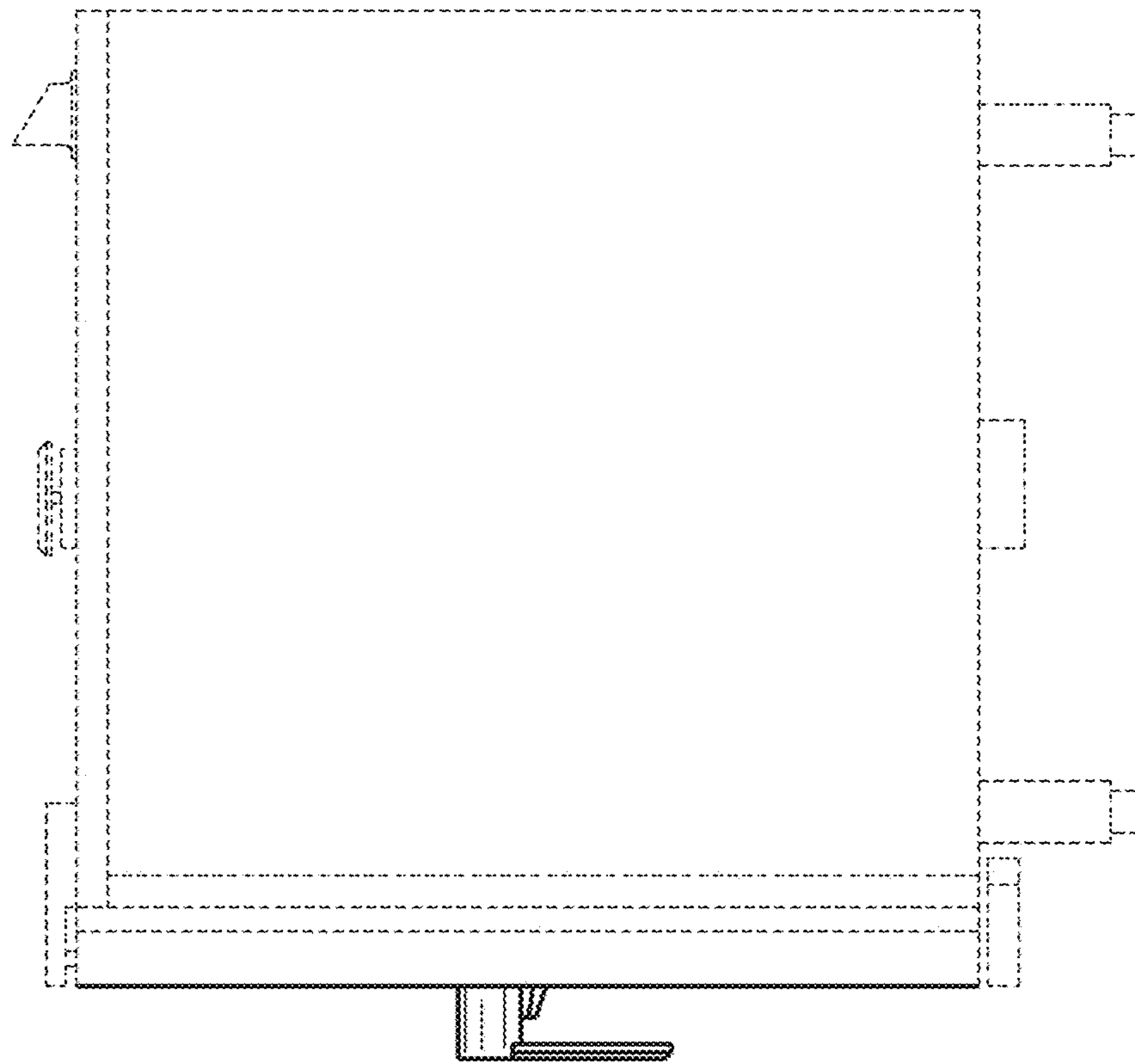


Fig. 5

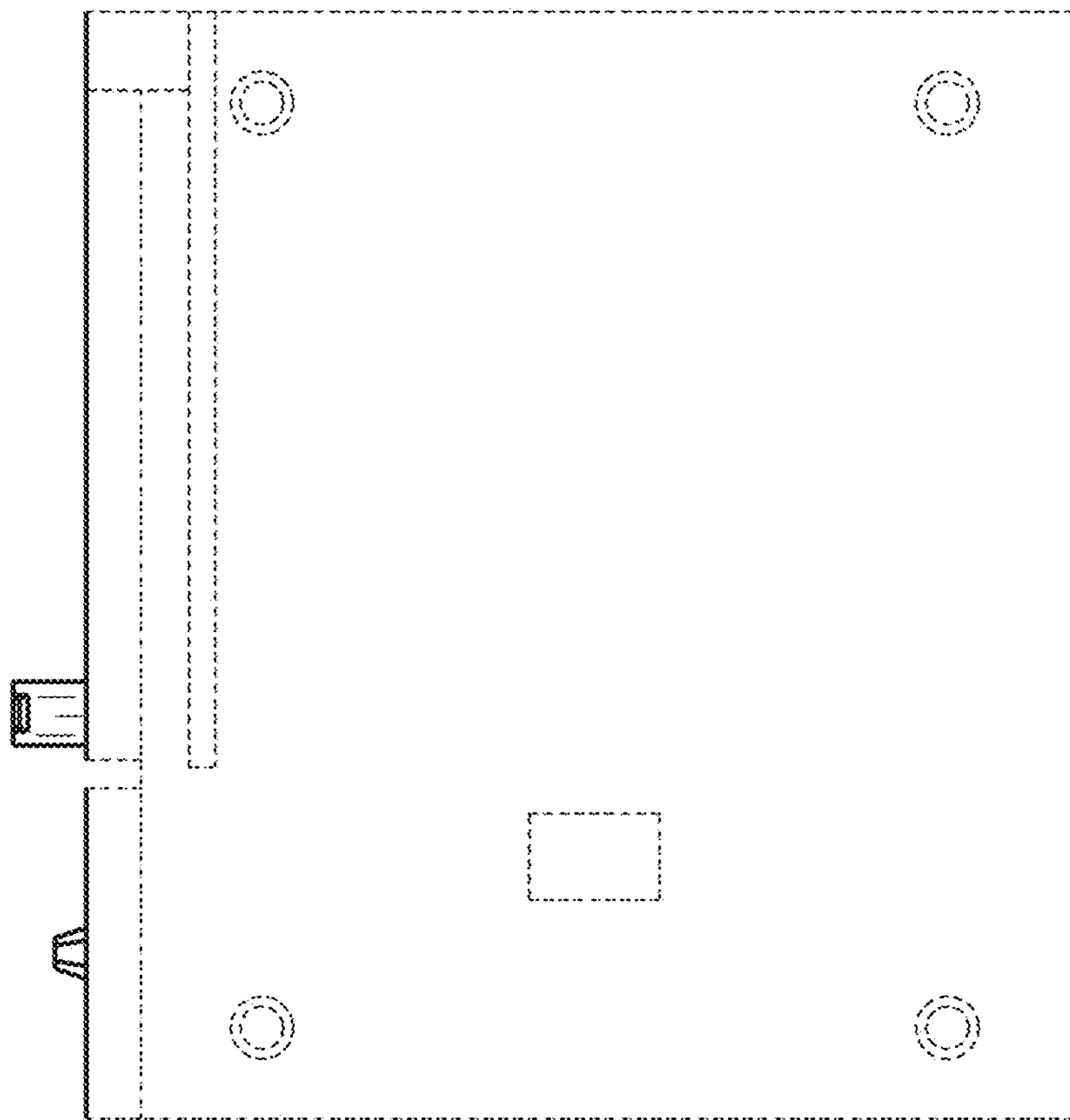


Fig. 6

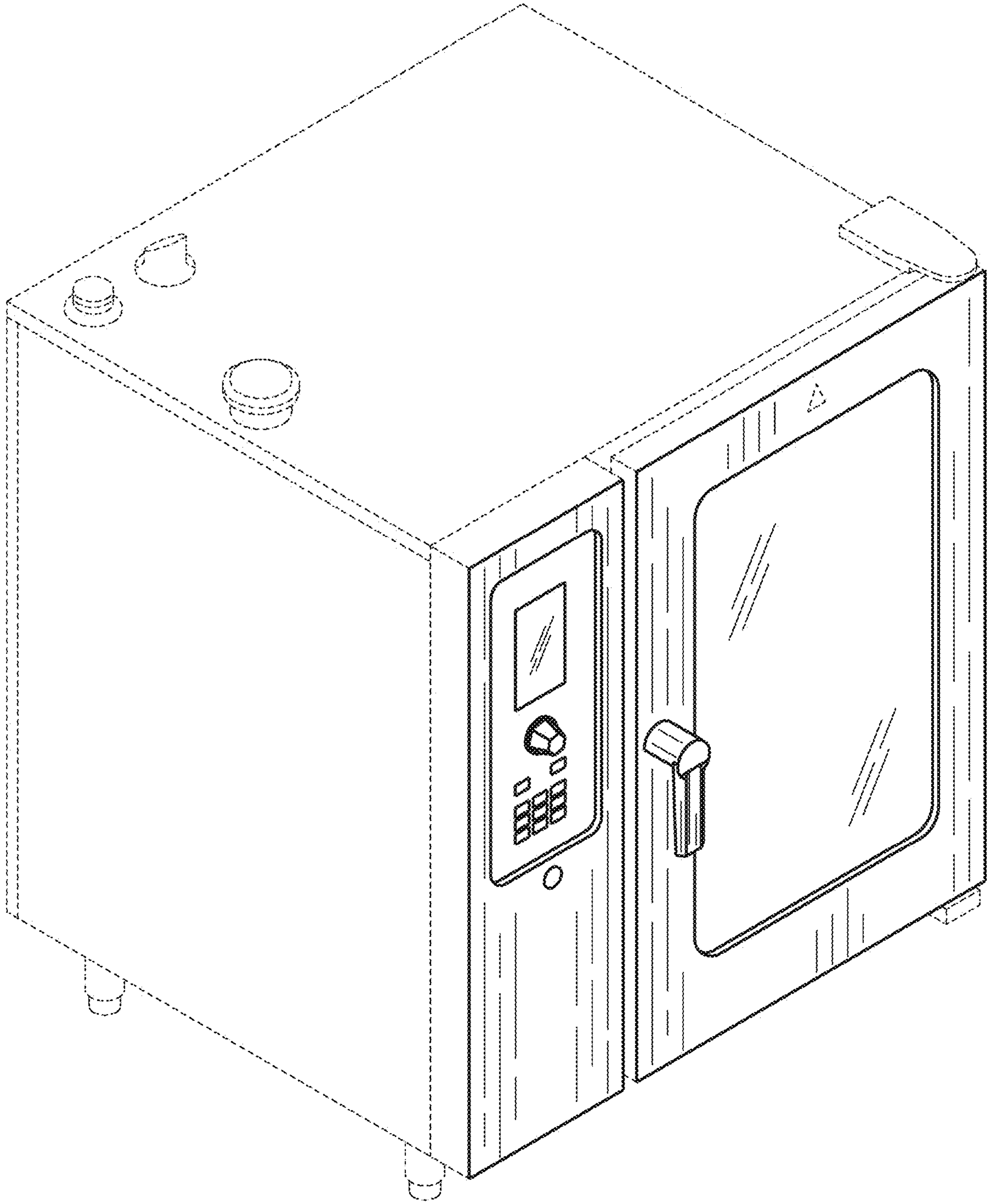


Fig. 7

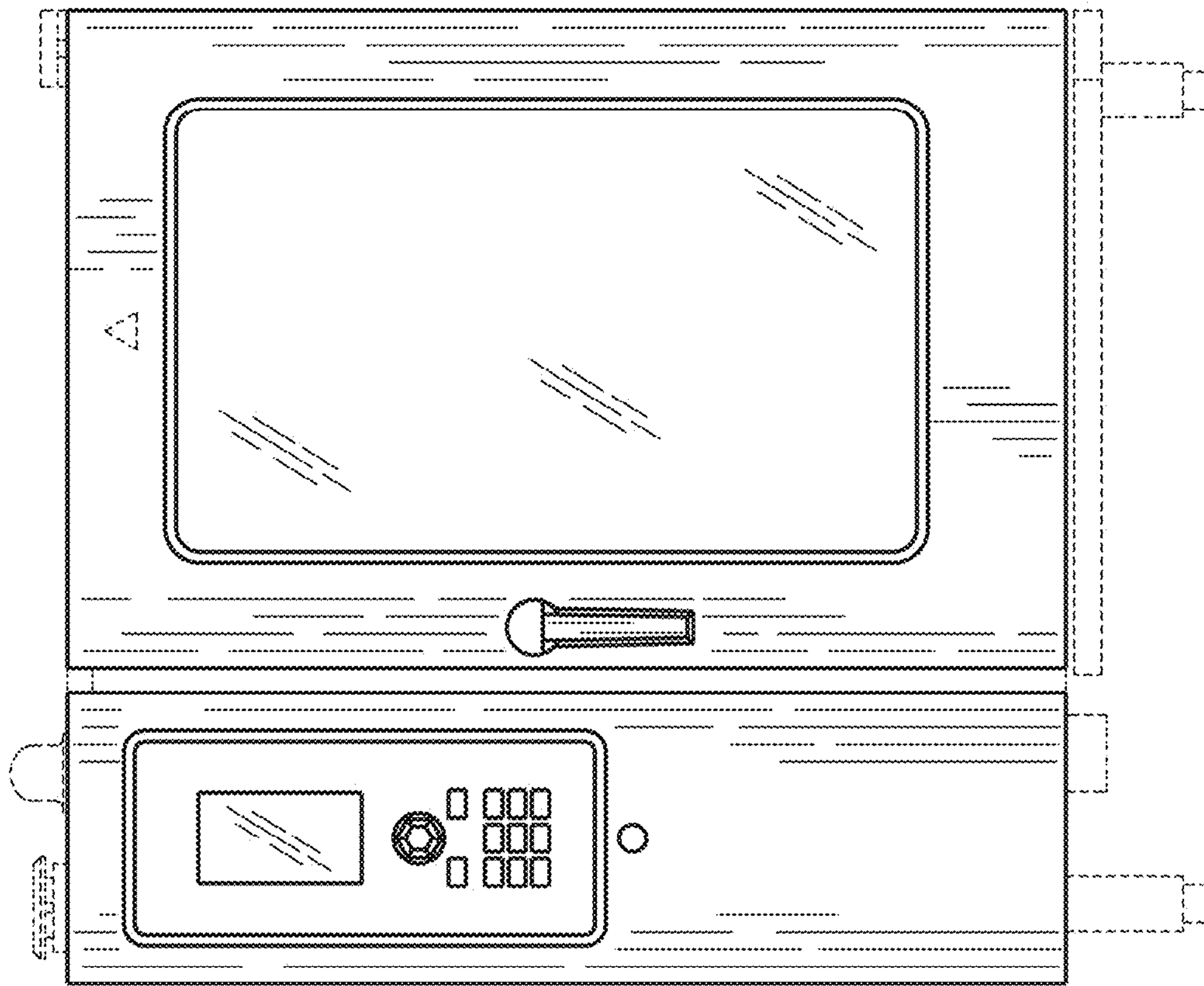


Fig. 9

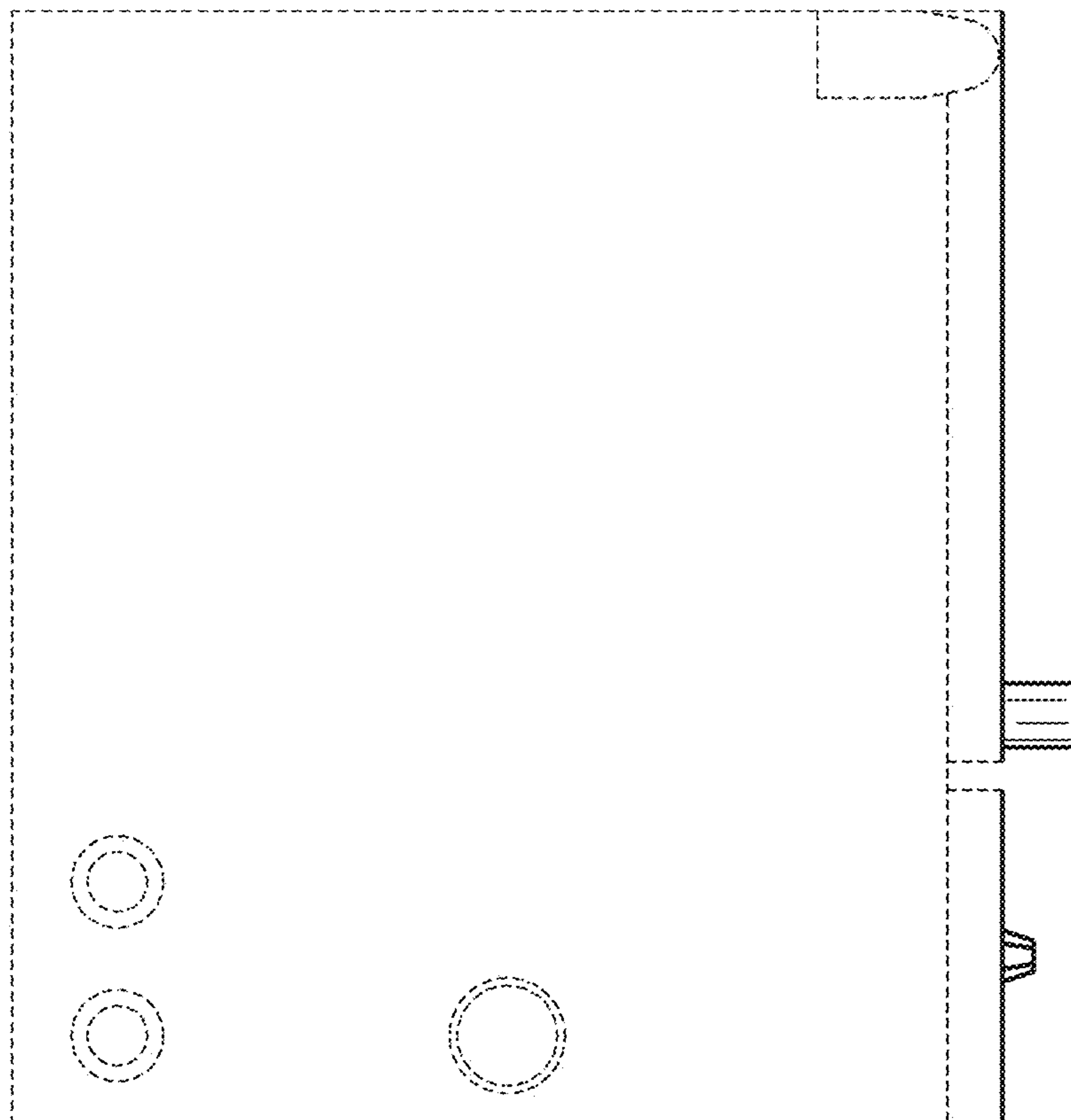


Fig. 8

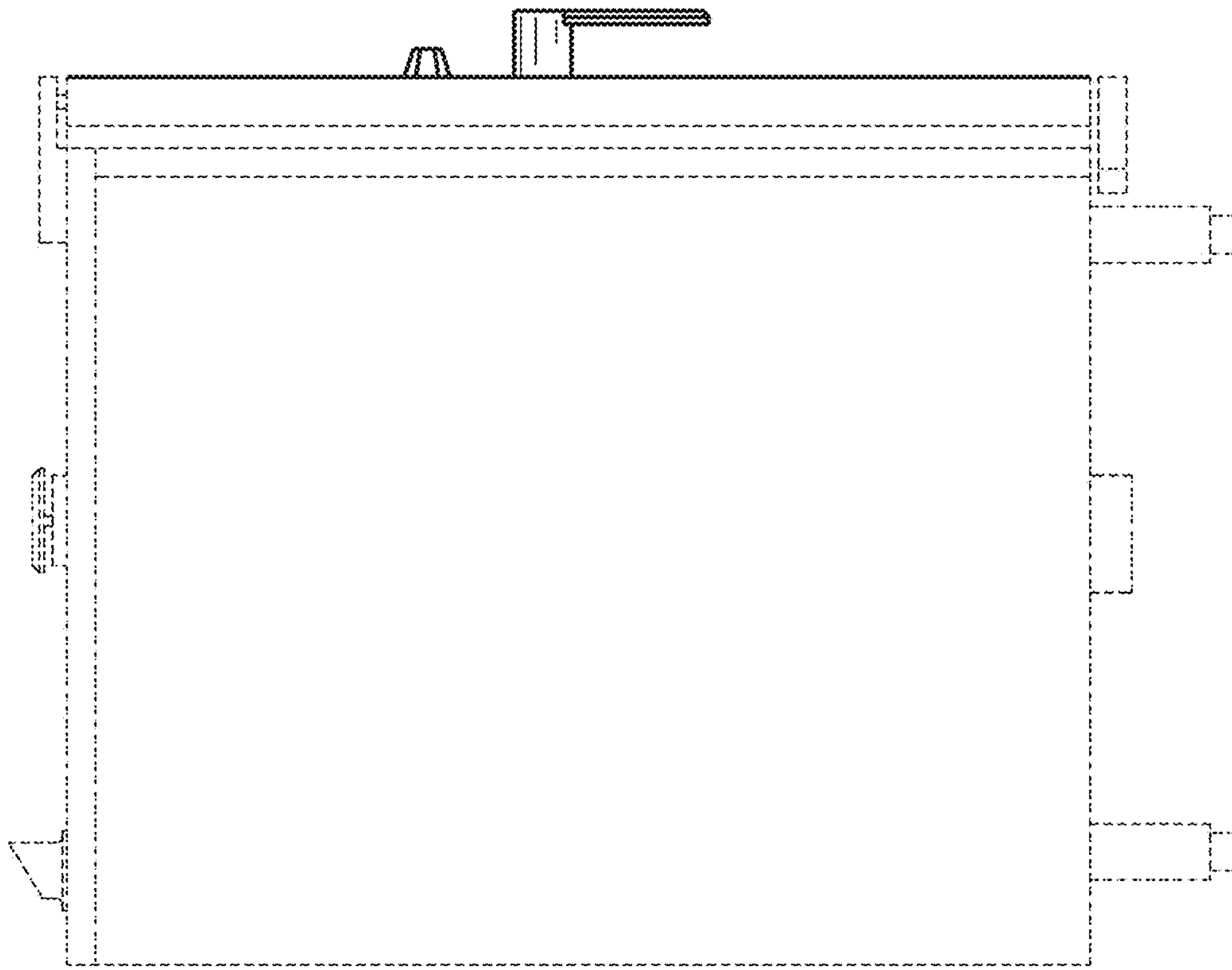


Fig. 11

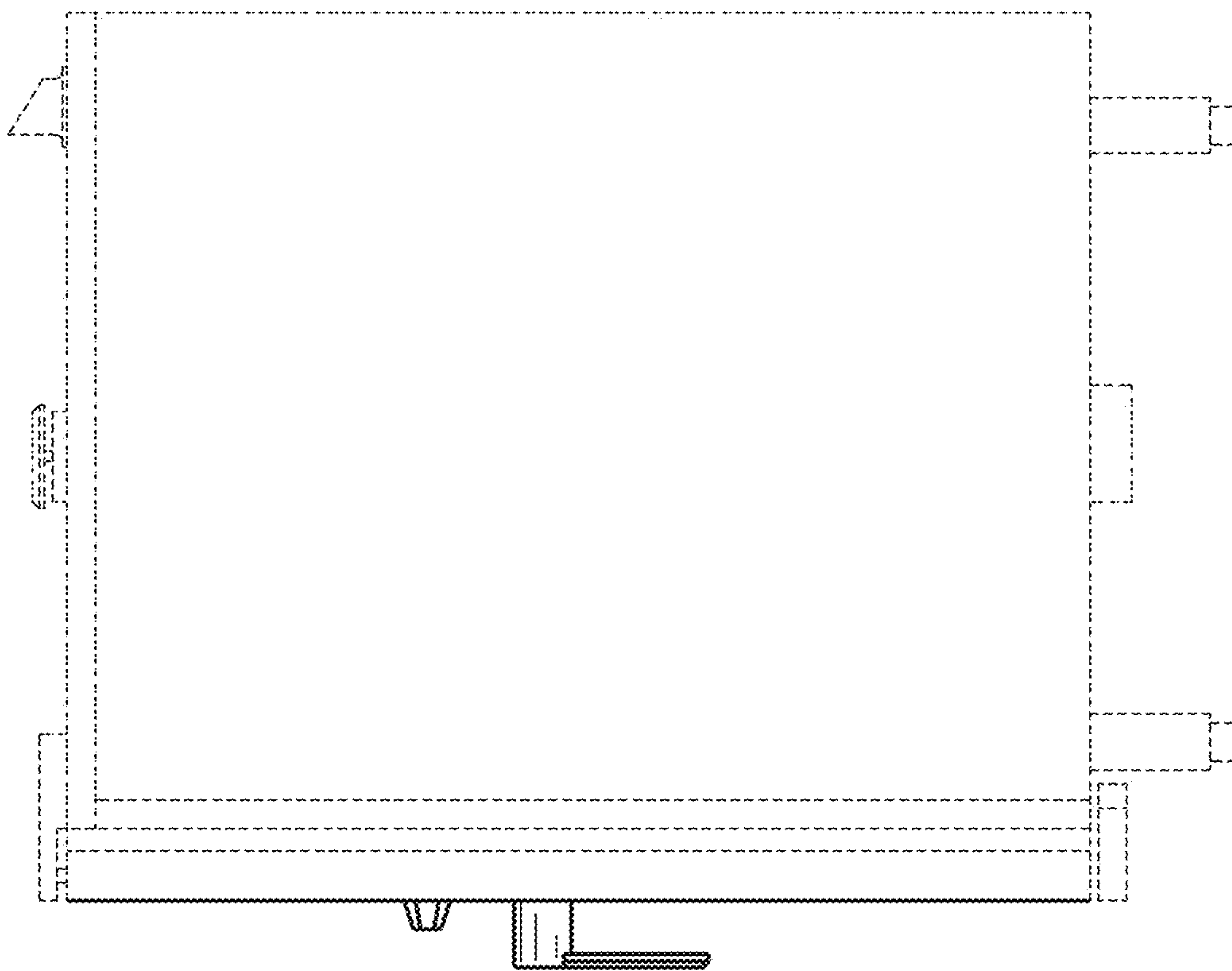


Fig. 10

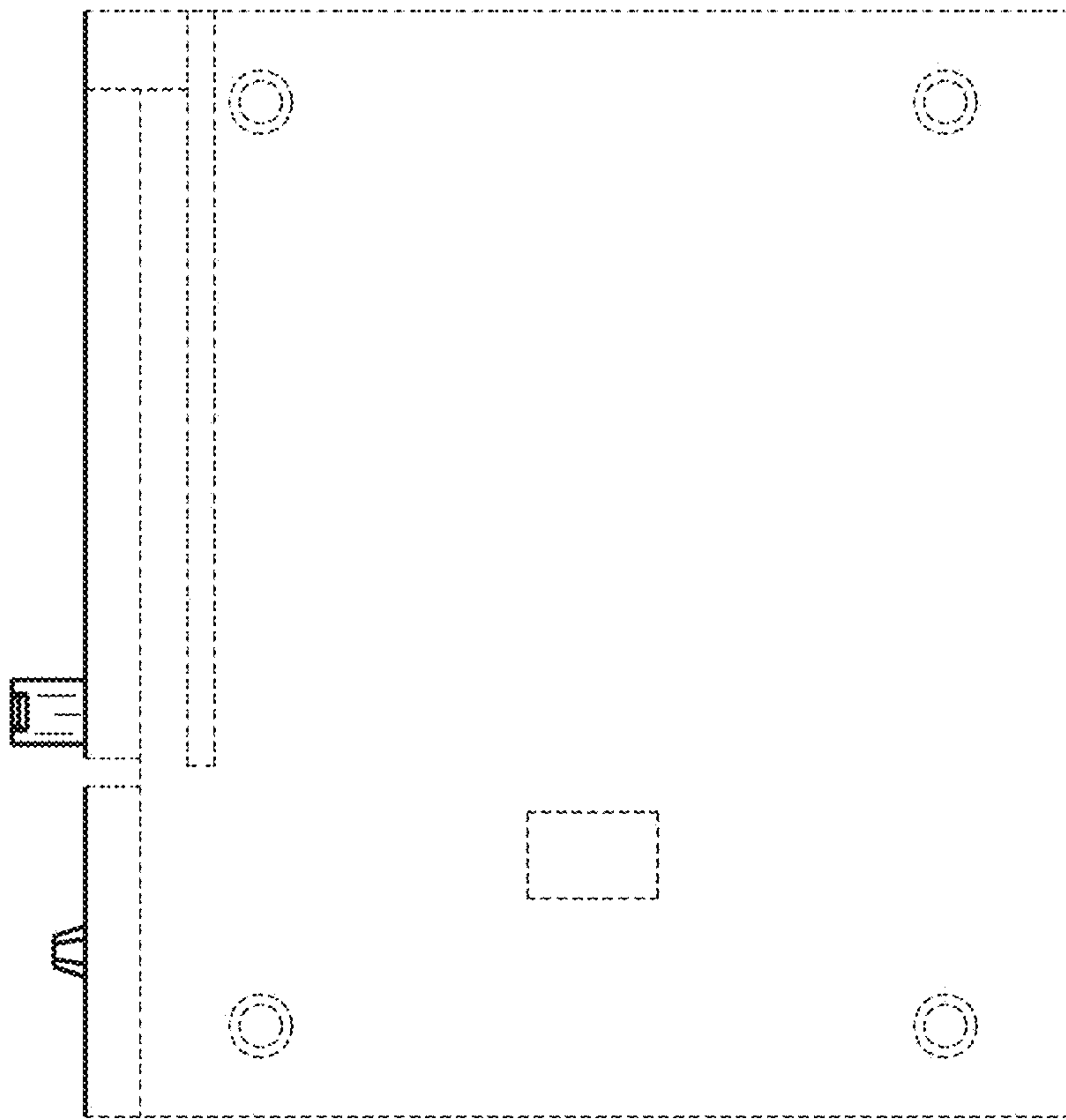


Fig. 12