



US00D952391S

(12) **United States Design Patent**
Yang

(10) **Patent No.:** **US D952,391 S**

(45) **Date of Patent:** **** May 24, 2022**

- (54) **STOVE**
- (71) Applicant: **Weihong Yang, Zhenjiang (CN)**
- (72) Inventor: **Weihong Yang, Zhenjiang (CN)**
- (**) Term: **15 Years**
- (21) Appl. No.: **29/787,098**
- (22) Filed: **Jun. 4, 2021**
- (51) **LOC (13) Cl.** **07-02**
- (52) **U.S. Cl.**
USPC **D7/339**
- (58) **Field of Classification Search**
USPC D7/323, 328–330, 332, 334, 339–349,
D7/390, 402–406; D8/300–306
CPC ... A21B 2/00; A47J 37/00; A47J 37/06; A47J
37/0611; A47J 37/0745; A47J 37/0754;
A47J 37/0763; A47J 37/08; A47J
37/0807; A47J 37/0814; A47J 37/0835;
A47J 37/0842; A47J 37/085; A47J
37/0864; A47J 37/0878; A47J 37/0885;
A47J 37/0892; F24B 1/02; F24B 1/202;
F24B 1/205; F24C 7/00; F24C 7/002;
F24C 7/046; F24C 7/067; F24C 15/02;
F24C 15/04; F24C 15/10; F24C 15/102
See application file for complete search history.

(56) **References Cited**
U.S. PATENT DOCUMENTS

- 1,785,143 A * 12/1930 Conk F24B 1/205
126/9 R
- 1,955,147 A * 4/1934 Remington F24B 1/205
312/351.3

- 2,119,799 A * 6/1938 Sivey F24B 1/205
220/4.28
- 2,129,371 A * 9/1938 Robinson F24B 1/202
126/9 R
- 2,922,414 A * 1/1960 Brender F24B 1/202
D7/332
- 4,069,806 A * 1/1978 Landry F24B 1/205
126/307 R
- 4,706,642 A * 11/1987 Sims F24B 1/205
126/9 B
- 4,911,140 A * 3/1990 Robinson F24B 1/205
126/9 R
- D495,919 S 9/2004 De Mello
- D674,234 S * 1/2013 Todd D7/334
- 8,490,614 B1 * 7/2013 Gregory A47J 37/0754
126/41 R
- D874,209 S 2/2020 Harrell et al.
- D942,203 S * 2/2022 Jiang D7/339
- D942,796 S * 2/2022 Jiang D7/339
- D944,584 S * 3/2022 Jiang D23/343

* cited by examiner

Primary Examiner — Ricky Pham

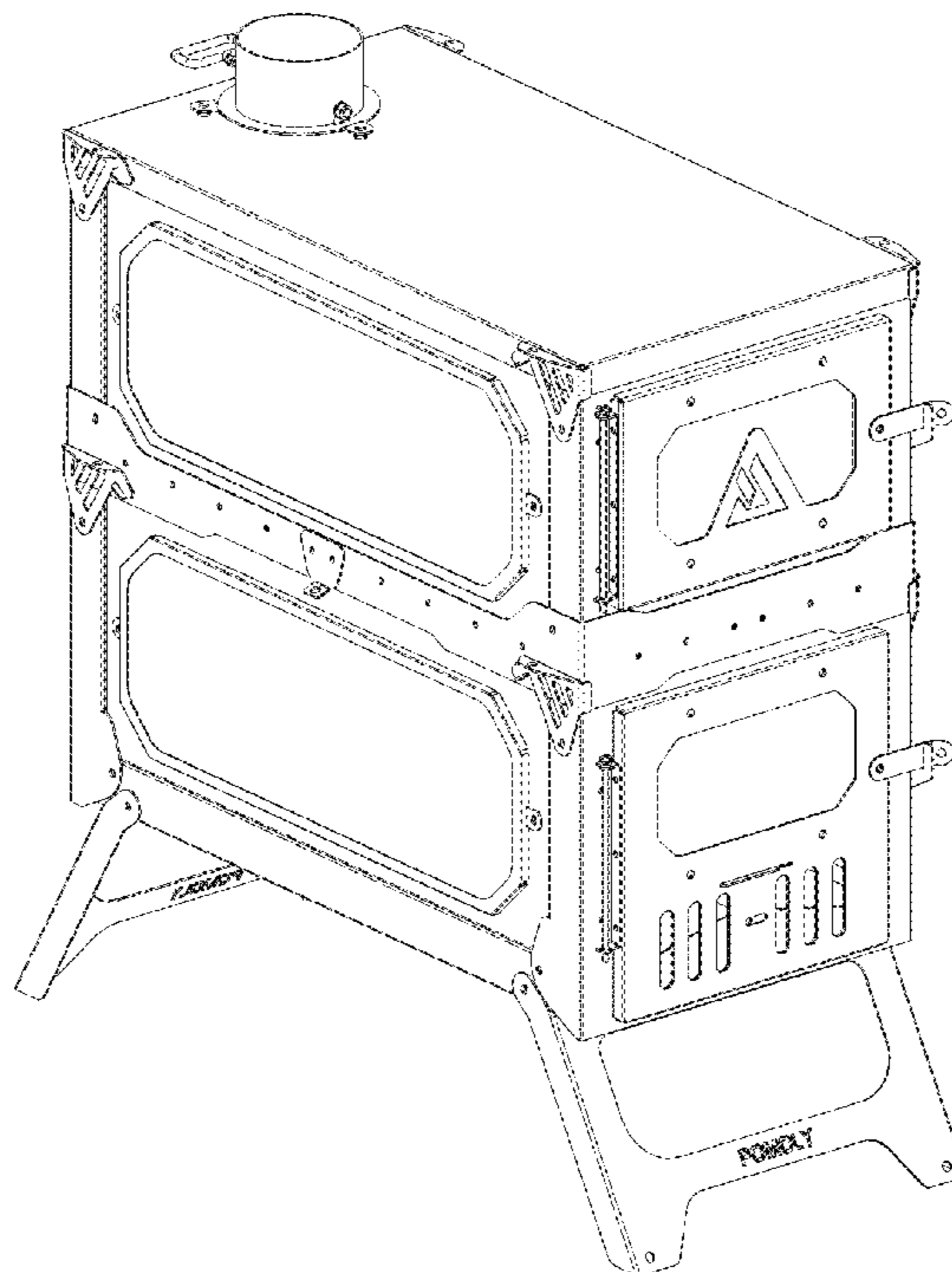
(57) **CLAIM**

The ornamental design for a stove, as shown and described.

DESCRIPTION

FIG. 1 is a perspective view of a stove showing my new design;
 FIG. 2 is a rear elevational view thereof;
 FIG. 3 is a front elevational view thereof;
 FIG. 4 is a right side elevational view thereof;
 FIG. 5 is a left side elevational view thereof;
 FIG. 6 is a top plan view thereof; and,
 FIG. 7 is a bottom plan view thereof.

1 Claim, 7 Drawing Sheets



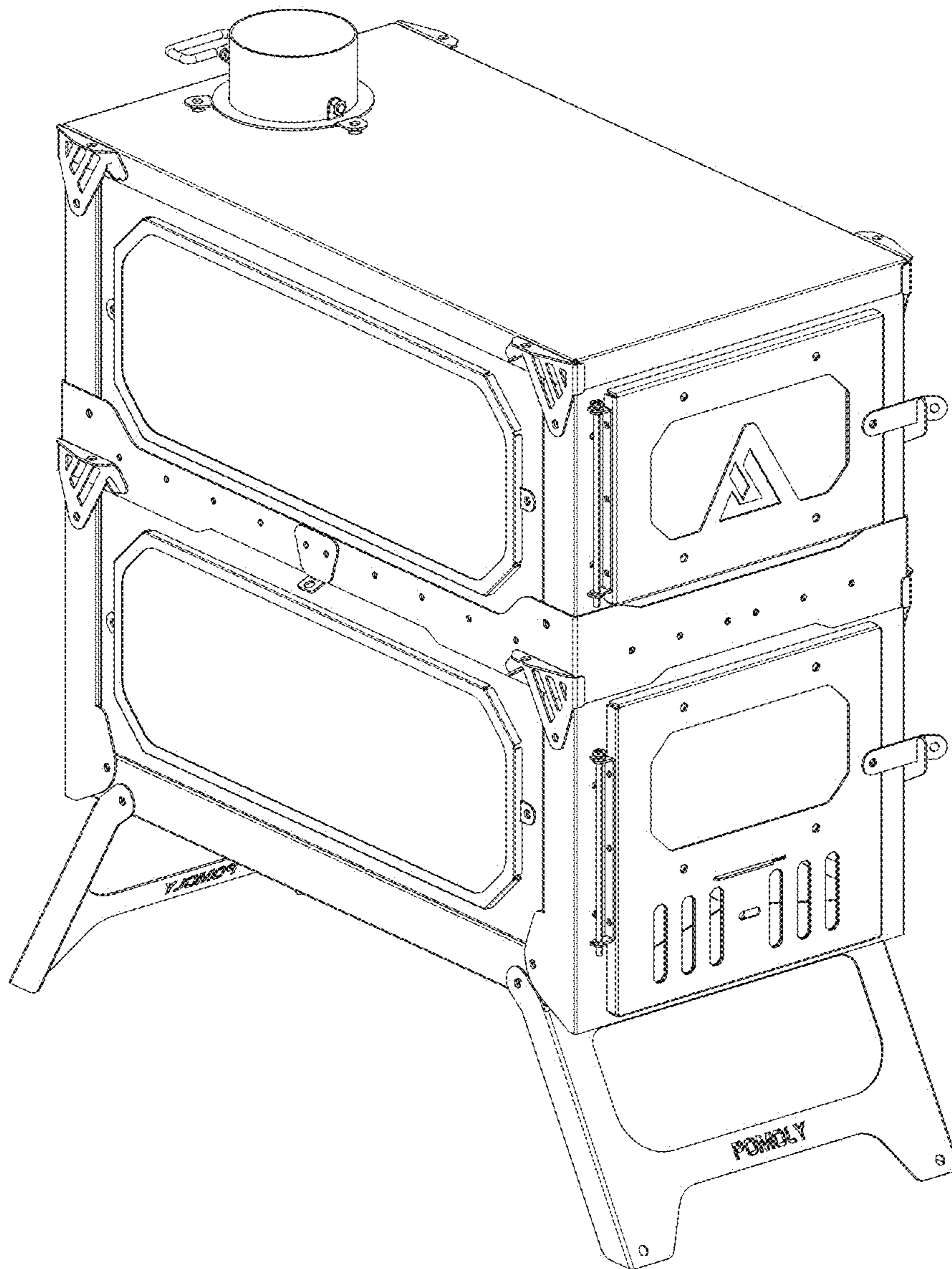


FIG. 1

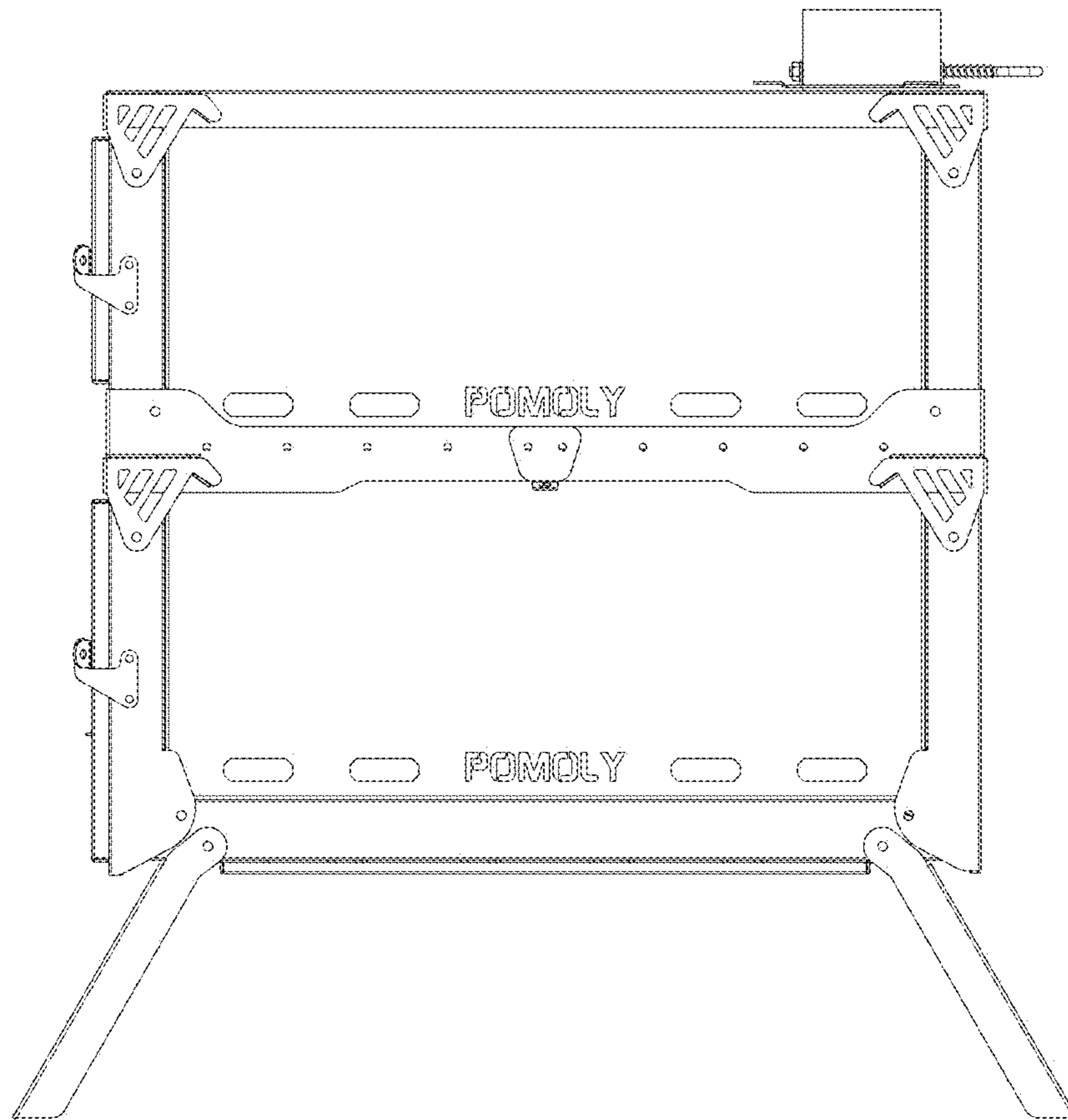


FIG. 2

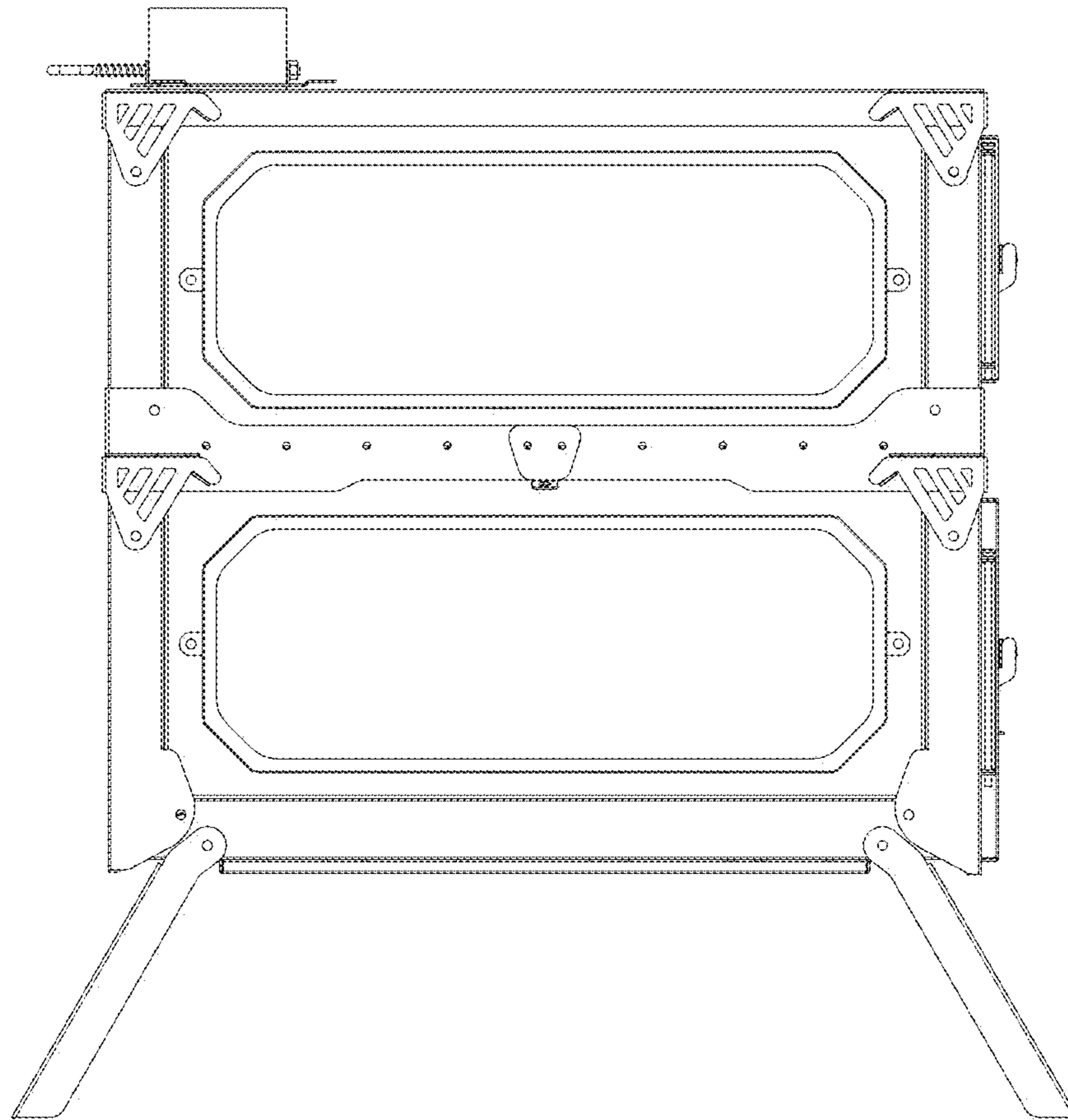


FIG. 3

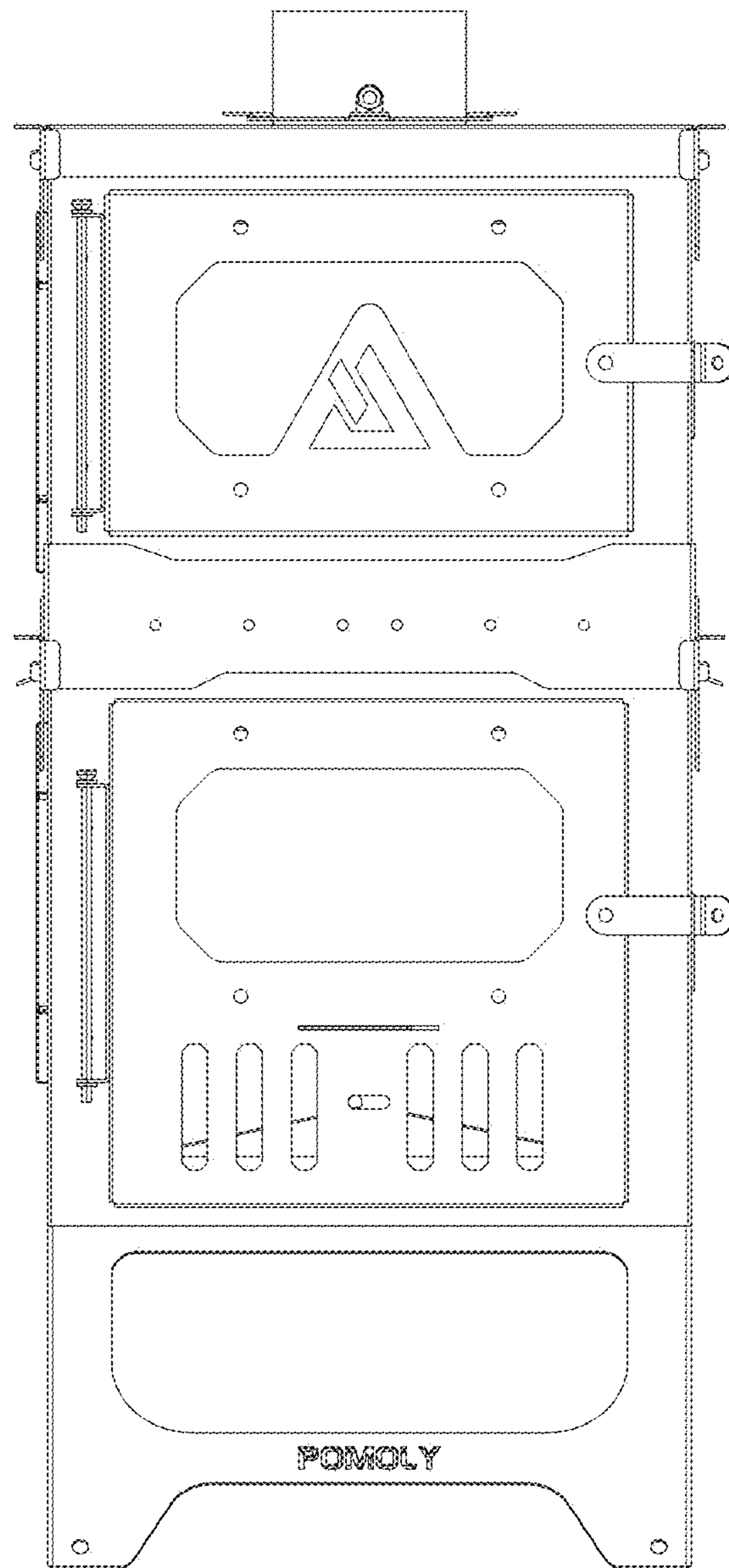


FIG. 4

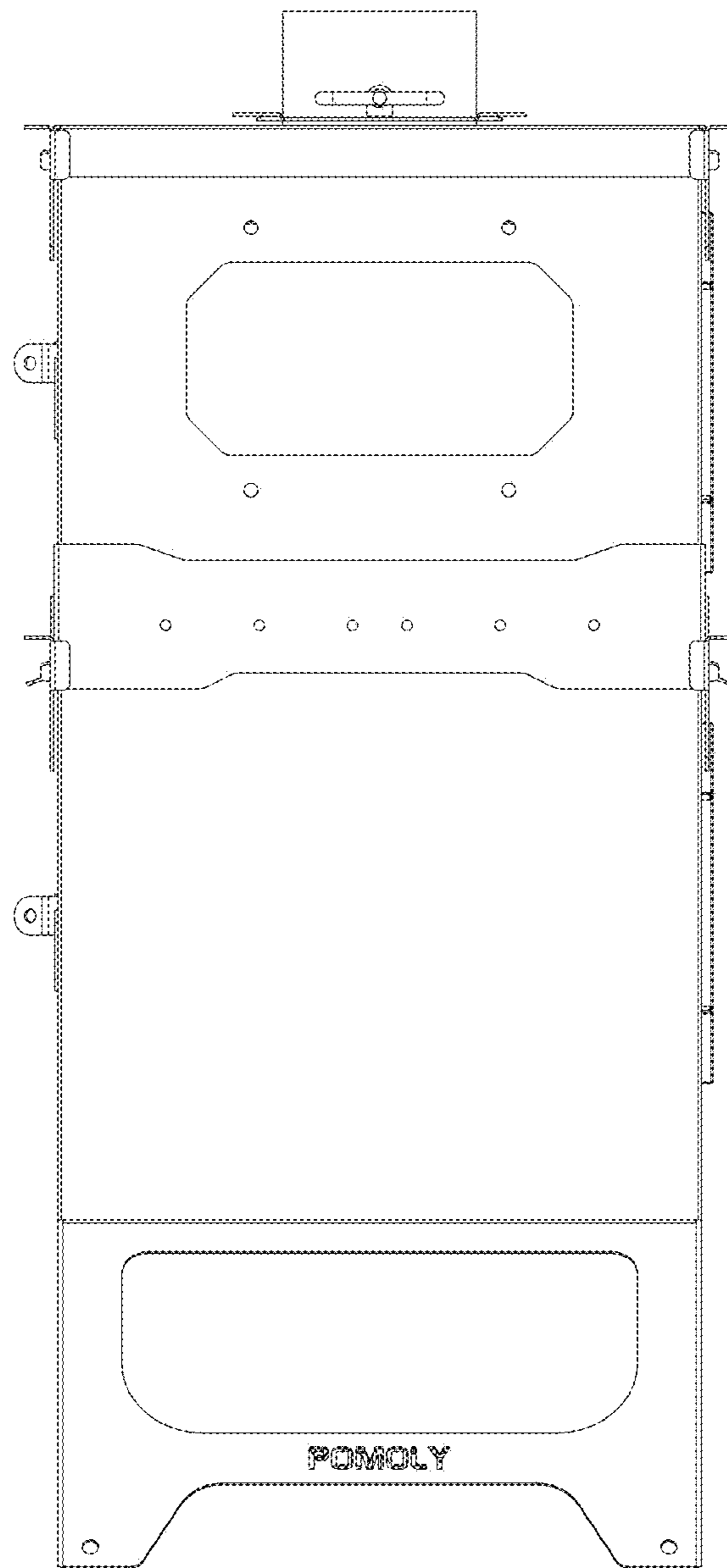


FIG. 5

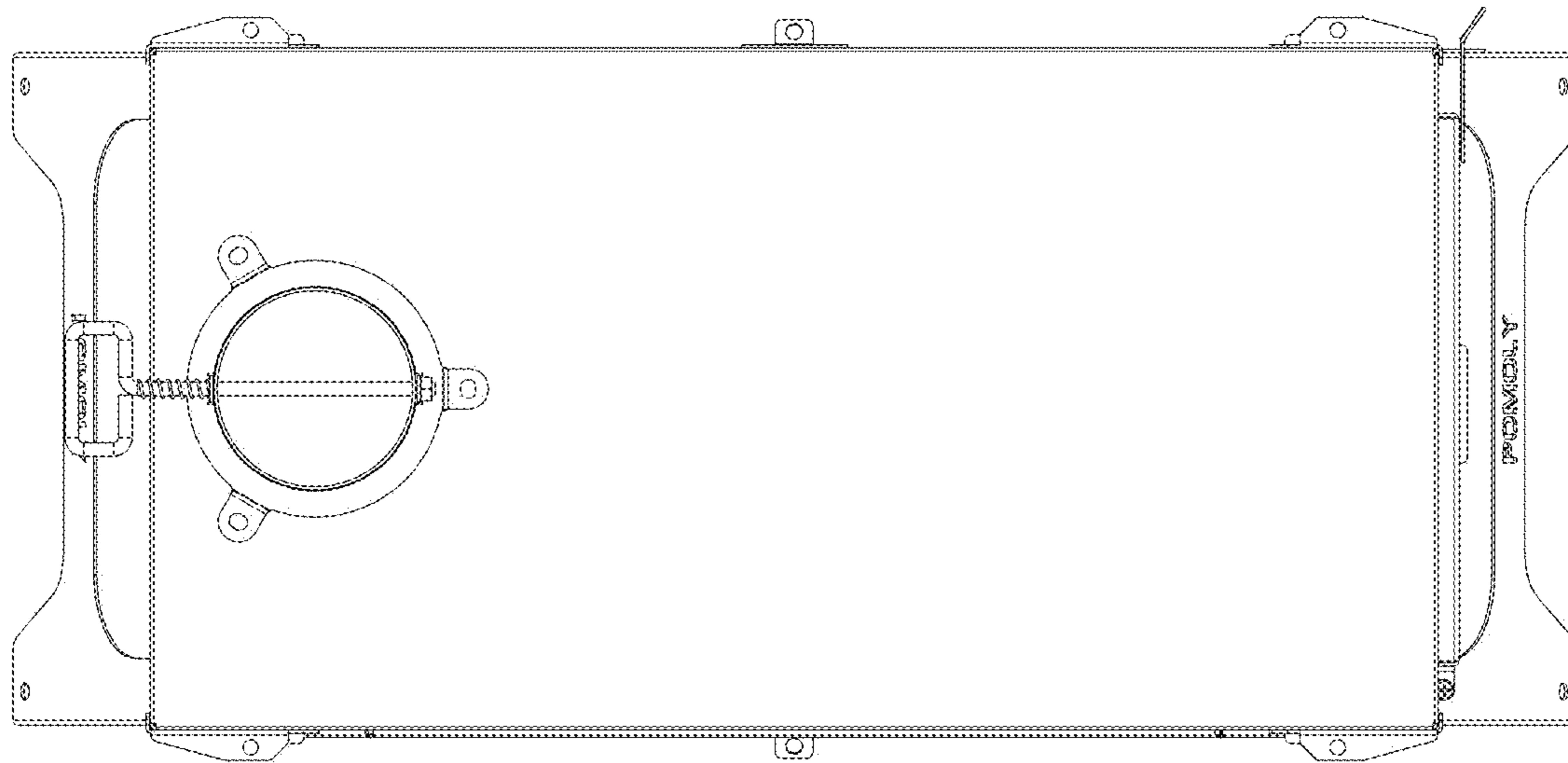


FIG. 6

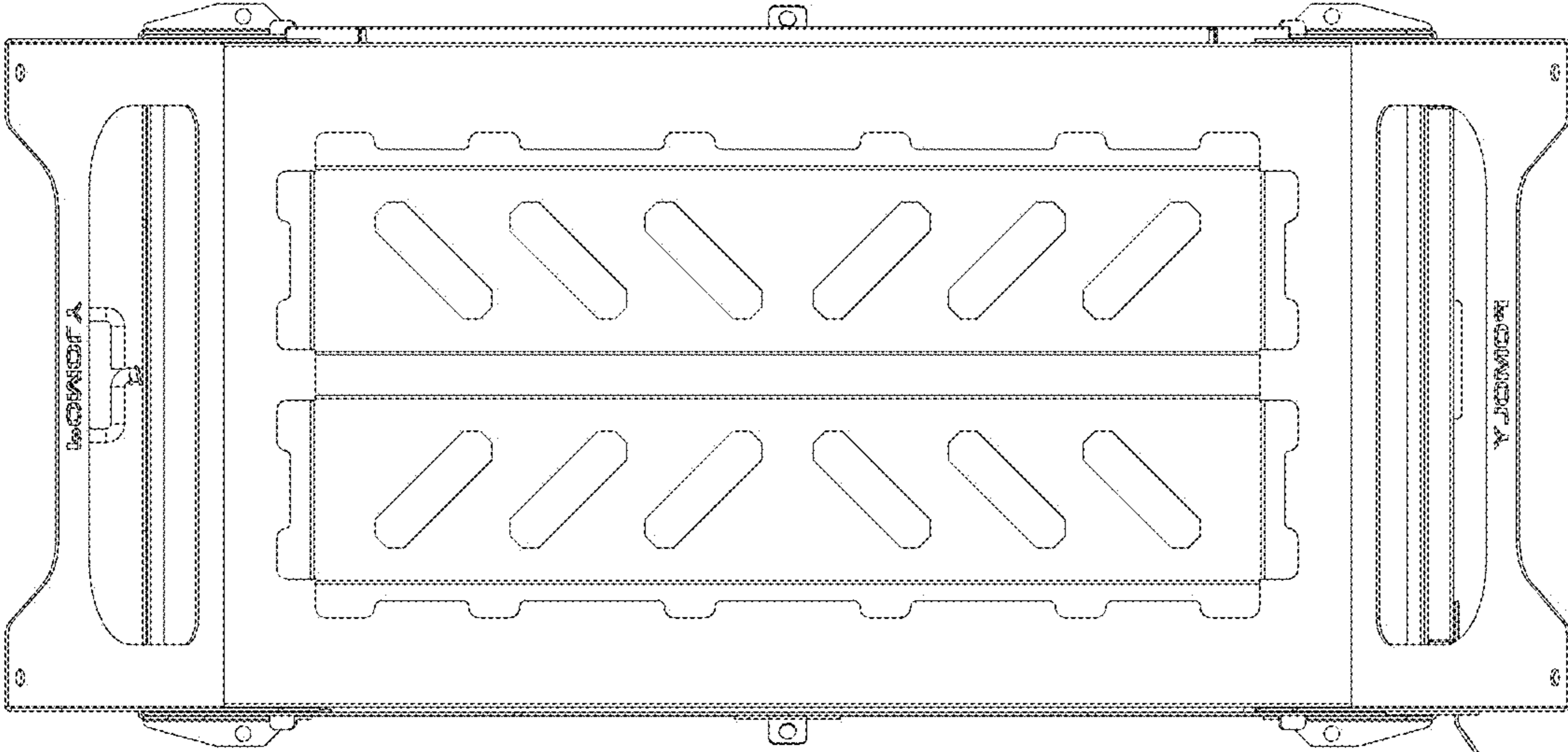


FIG. 7