



US00D952390S

(12) **United States Design Patent**
Magee

(10) **Patent No.:** **US D952,390 S**

(45) **Date of Patent:** **** May 24, 2022**

(54) **PORTABLE GRILL**

(71) Applicant: **Travis M. Magee**, Rowlett, TX (US)

(72) Inventor: **Travis M. Magee**, Rowlett, TX (US)

(**) Term: **15 Years**

(21) Appl. No.: **29/737,777**

(22) Filed: **Jun. 11, 2020**

(51) **LOC (13) Cl.** **07-02**

(52) **U.S. Cl.**

USPC **D7/337; D7/334**

(58) **Field of Classification Search**

USPC D7/332, 333, 334, 335, 336, 337, 353,
D7/354, 361, 667, 669, 369.2, 402, 403,
D7/404, 405, 406, 407, 408, 409, 323,
D7/339, 347, 362, 363, 387; D3/294,
D3/307; D6/698, 702, 656; D23/314,
D23/332, 335, 339, 343, 345; D8/315
CPC A47J 37/0718; A47J 37/0713; A47J
37/0763; A47J 37/0786; A47J 33/00;
F24B 1/202; F24B 1/022; F24C 1/16;
A23B 4/052; A23B 4/044
See application file for complete search history.

(56) **References Cited**

U.S. PATENT DOCUMENTS

172,410 A * 1/1876 Fort A47J 37/0786
99/400
549,056 A * 10/1895 Buzzacott F24B 1/205
126/9 B
568,393 A * 9/1896 Wilson F24B 1/202
126/59
620,258 A * 2/1899 Stapp A47J 37/0763
126/9 R
986,063 A * 3/1911 Jacobs A47J 37/0763
126/9 R
995,705 A * 6/1911 Neel A47J 37/0763
126/9 R

1,118,537 A * 11/1914 Dodds A47J 37/0763
126/9 R
1,545,584 A * 7/1925 Devereux F24B 1/202
126/25 R
1,626,035 A * 4/1927 Hanson F24C 1/16
126/38
D142,417 S * 9/1945 Jones D7/332
(Continued)

FOREIGN PATENT DOCUMENTS

EM 006446159-0001 * 5/2019
EM 006446159-0002 * 5/2019
(Continued)

OTHER PUBLICATIONS

CityBoy [online] URL: <https://www.coolthings.com/city-boy-portable-picnic-grill/> (site visited: Dec. 14, 2021) (Year: 2012).*
(Continued)

Primary Examiner — Jae Liang
Assistant Examiner — Tia Ruth-Renee Polidori
(74) *Attorney, Agent, or Firm* — Mitchell Law PLLC;
Matthew W. Mitchell

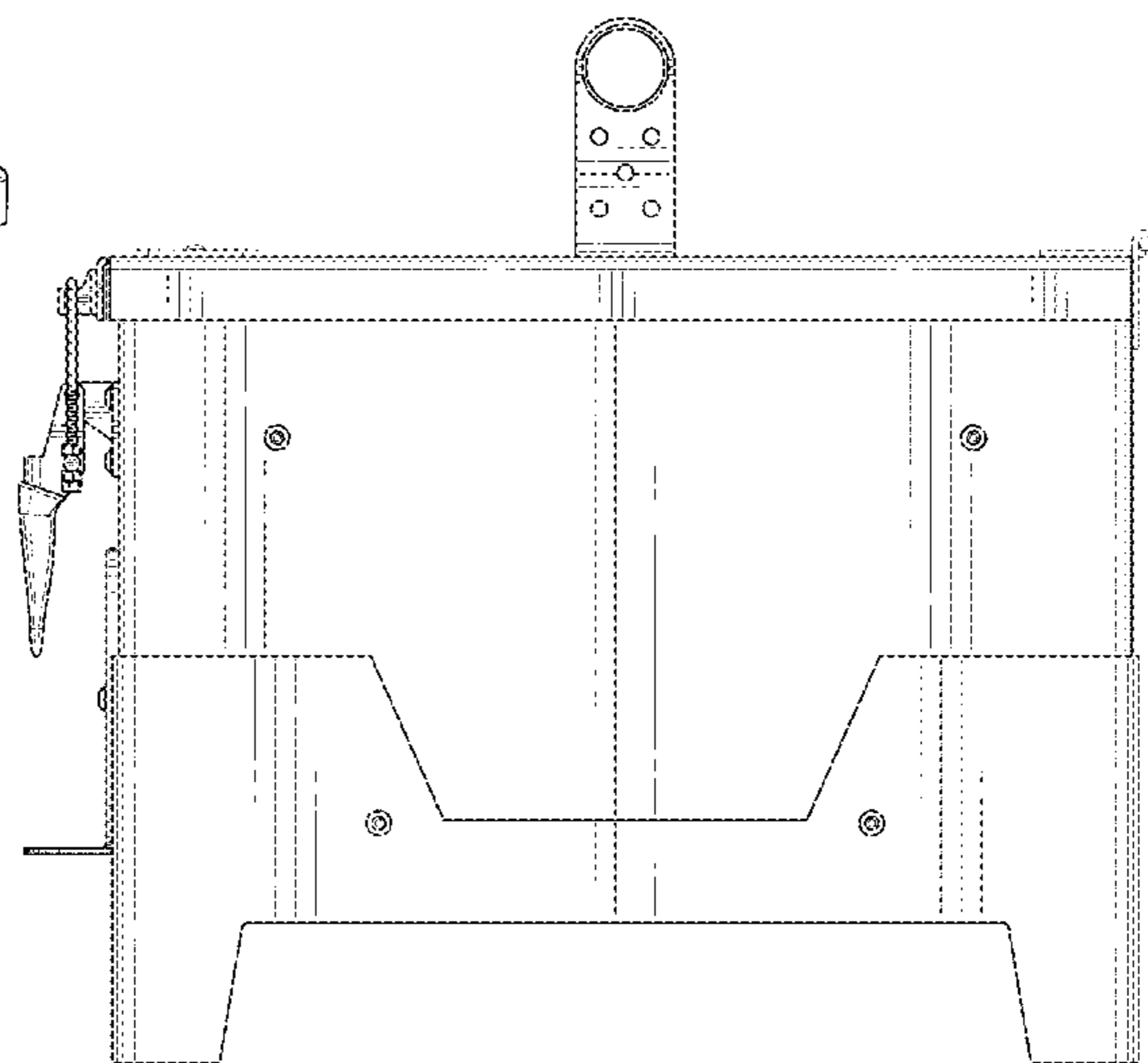
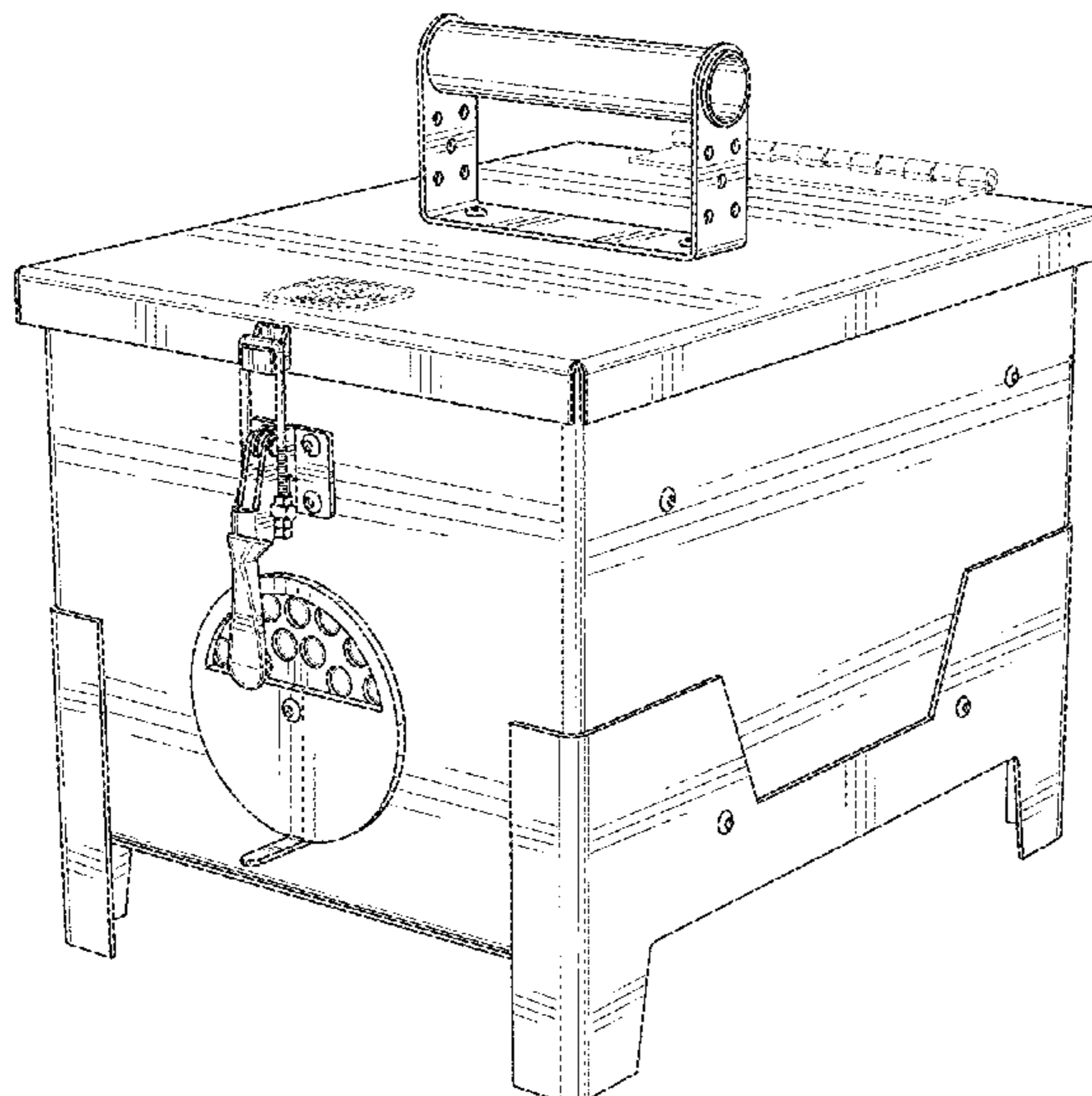
(57) **CLAIM**

The ornamental design for a portable grill, as shown and described.

DESCRIPTION

FIG. 1 is a front perspective view of a portable grill; FIG. 2 is a front view thereof; FIG. 3 is a back view thereof; FIG. 4 is a left-side view thereof; FIG. 5 is a right-side view thereof; FIG. 6 is a top plan view thereof; and, FIG. 7 is a bottom plan view thereof. The broken lines show portions of the portable grill that form no part of the claimed design.

1 Claim, 7 Drawing Sheets



(56)

References Cited

U.S. PATENT DOCUMENTS

2,511,515 A * 6/1950 Schmitt F24B 1/205
126/9 R
2,691,368 A * 10/1954 Hood F24B 1/207
126/25 A
3,395,691 A * 8/1968 Skarsten A47J 37/0763
126/20
4,309,938 A * 1/1982 Harmon B65G 37/00
198/603
4,471,749 A * 9/1984 Galdes A47J 37/0763
126/25 R
D277,541 S * 2/1985 Espinda D7/337
D290,923 S * 7/1987 Erickson D7/337
4,732,137 A * 3/1988 Parsons A47J 37/0786
126/25 R
D301,106 S * 5/1989 Oliphant D7/332
4,878,476 A * 11/1989 Oliphant A47J 37/0763
126/9 R
4,920,949 A * 5/1990 McDonald A47J 37/0763
126/15 R
D309,213 S * 7/1990 Chaney D3/291
5,119,799 A * 6/1992 Cowan F24B 1/205
126/9 R
5,138,939 A * 8/1992 Bradley A23B 4/048
126/59.5
5,437,222 A * 8/1995 Franklin A47J 33/00
126/25 R
5,947,105 A * 9/1999 Scott F24B 1/202
126/9 R
6,125,835 A * 10/2000 Montano F24B 1/205
126/9 R
D465,378 S * 11/2002 Hermansen D7/332
D471,055 S * 3/2003 Hermansen D7/332
D475,885 S * 6/2003 Hermansen D7/332
6,591,828 B1 * 7/2003 Schneider F24B 1/205
126/275 R
6,681,757 B1 * 1/2004 Rivero F24B 1/022
126/25 R
6,841,759 B2 * 1/2005 Elwedini A47J 37/0709
219/386
7,698,996 B1 * 4/2010 Savchuk A23B 4/044
99/482
D631,337 S * 1/2011 Prevost D9/421
D631,338 S * 1/2011 Prevost D9/421
D636,216 S * 4/2011 Marsh D7/332
7,934,494 B1 * 5/2011 Schneider F24C 1/16
126/241
8,887,627 B1 * 11/2014 Baik A47J 37/0713
99/339
9,060,642 B1 * 6/2015 Armbrust A47J 36/08

D736,519 S * 8/2015 Chui D3/276
D766,410 S * 9/2016 Miller D23/343
D773,186 S * 12/2016 Beilman D3/284
D777,426 S * 1/2017 Dahl D3/262
D788,518 S * 6/2017 Aggarwal D7/360
D796,894 S * 9/2017 Piret D7/354
D818,302 S * 5/2018 Magee D7/337
D830,102 S * 10/2018 Corlay D7/354
D834,888 S * 12/2018 King D7/409
D865,430 S * 11/2019 Wang D7/355
D907,362 S * 1/2021 Perella D3/294
D908,415 S * 1/2021 Zheng D7/334
D920,664 S * 6/2021 Kaldahl D3/262
D938,003 S * 12/2021 Ming D23/343
D942,203 S * 2/2022 Jiang D7/339
D942,796 S * 2/2022 Jiang D7/339
D944,584 S * 3/2022 Jiang D23/343
2006/0102167 A1 * 5/2006 Driscoll A47J 37/0629
126/275 R
2009/0314277 A1 * 12/2009 Marsh F24C 1/16
126/304 R
2009/0314285 A1 * 12/2009 Marsh A47J 37/0763
126/9 R
2015/0289715 A1 * 10/2015 Hartkorn A47J 37/0713
126/59

FOREIGN PATENT DOCUMENTS

EM 006446159-0003 * 5/2019
EM 006446159-0004 * 5/2019
EM 006446159-0005 * 5/2019
GB 8200642000-1000 * 1/2019

OTHER PUBLICATIONS

BigPoppa [online] URL: https://www.facebook.com/b_igpoppasmokers/photos/a.357498123054/10156139576103055/?type=3&theater (site visited: Dec. 14, 2021) (Year: 2018).*

AmmoBoxGrill [online] URL: <https://www.instructables.com/Ammo-Box-Grill/> (site visited: Dec. 14, 2021) (Year: 2020).*

MGrills [online] URL: <https://mgrills.com/products/c4-portable-grill-polished-stainless> (site visited: Dec. 14, 2021) (Year: 2020).*

MGrills_C4-SCA [online] URL: <https://mgrills.com/products/c4-sca-package> (site visited: Dec. 14, 2021) (Year: 2020).*

TentStove [online] URL: <https://www.youtube.com/watch?v=tpadCWty9PM> (site visited: Dec. 14, 2021) (Year: 2020).*

Pit Boss [online] URL: <https://pitboss-grills.com/featured/specials/pit-boss-maintenance-ammo-box-kit> (site visited: Mar. 25, 2022) (Year: 2022).*

* cited by examiner

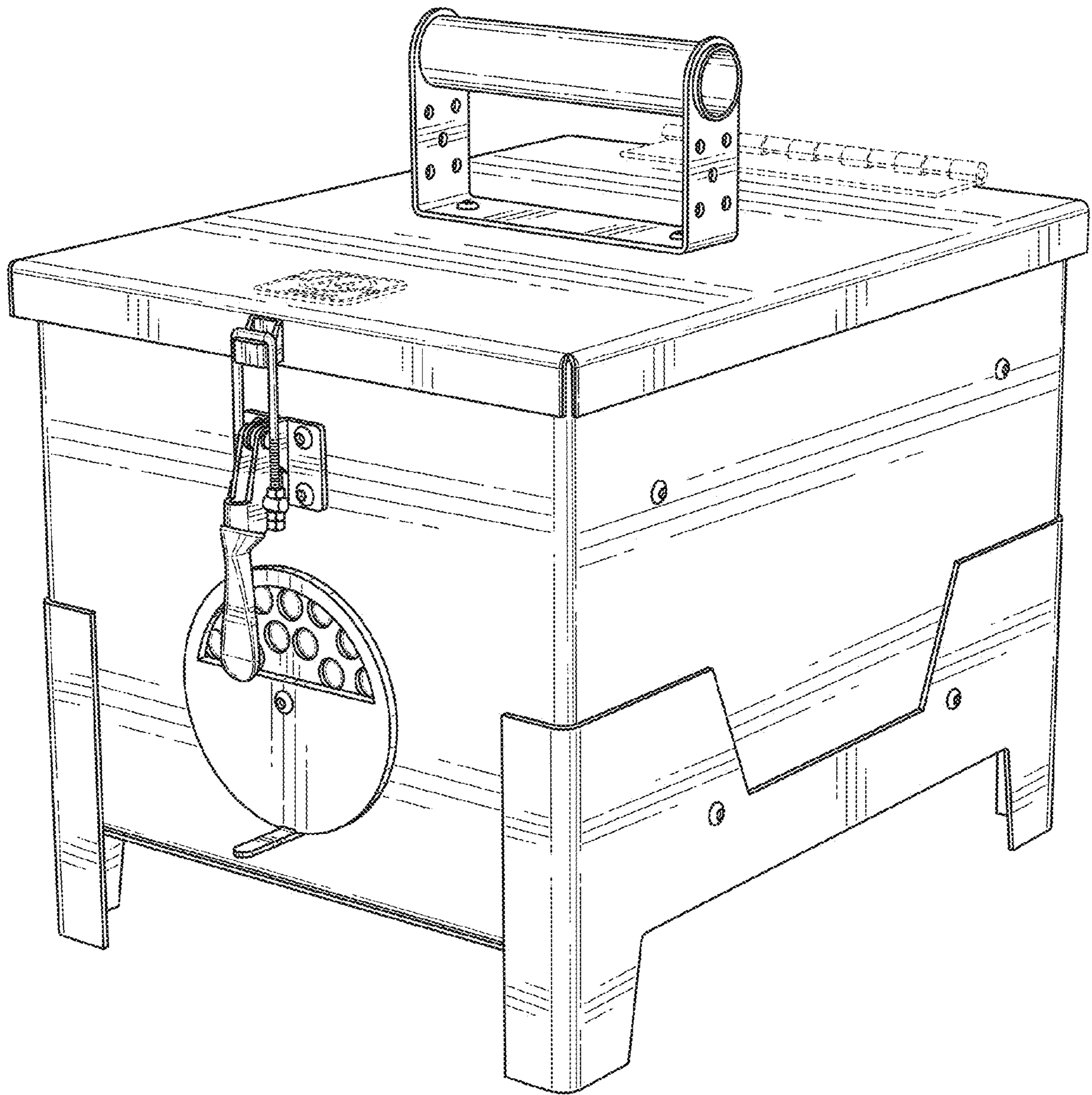


FIG. 1

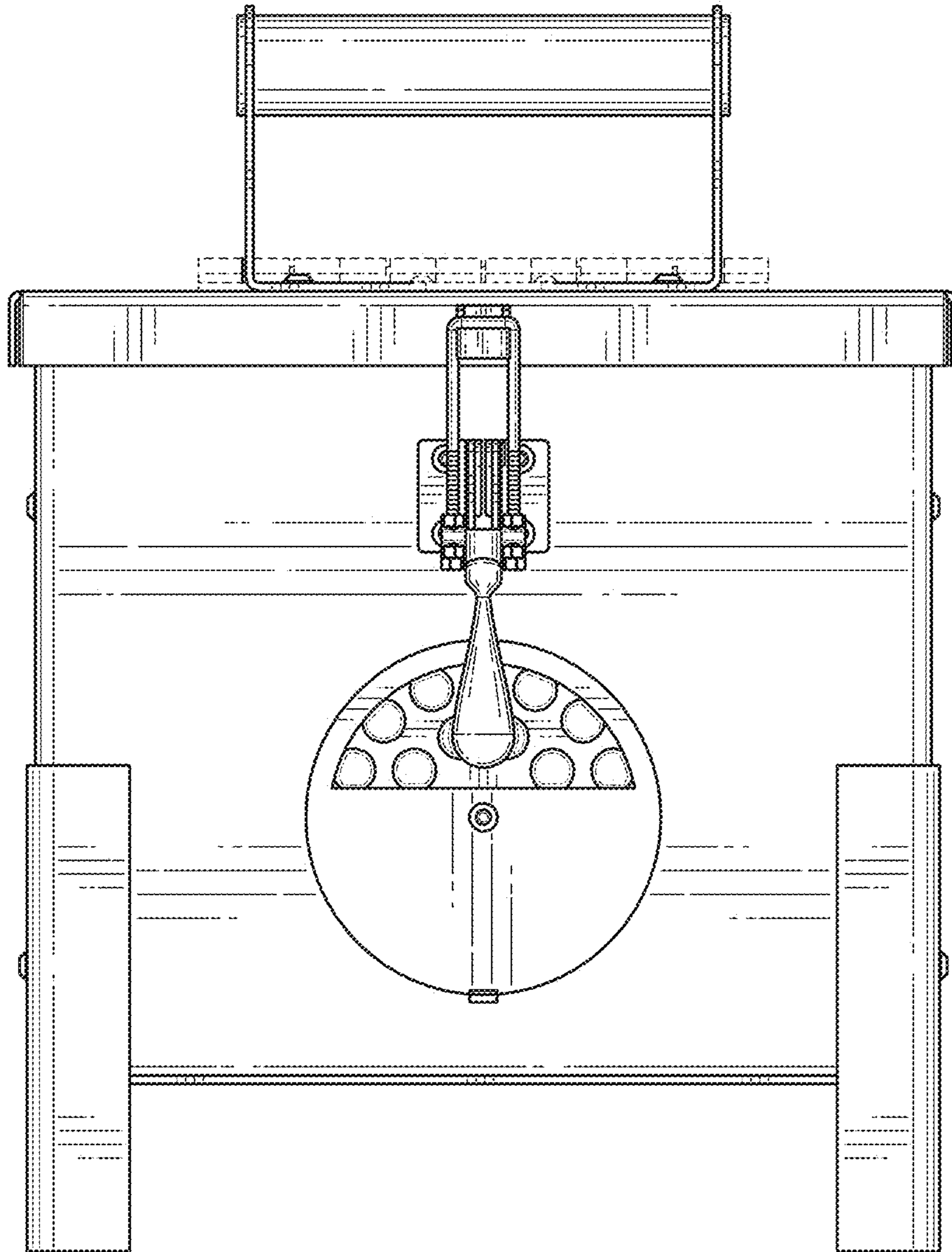


FIG. 2

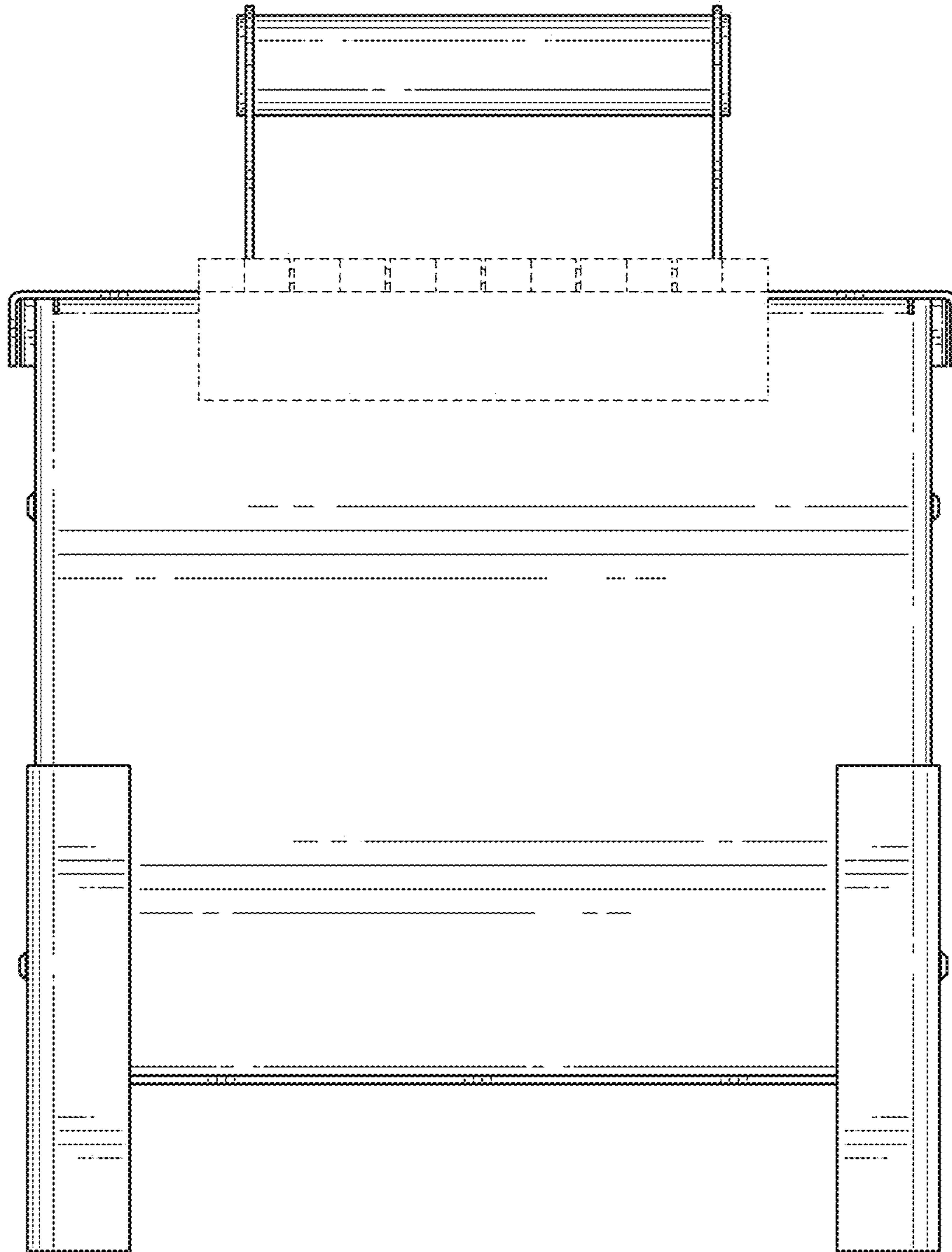


FIG. 3

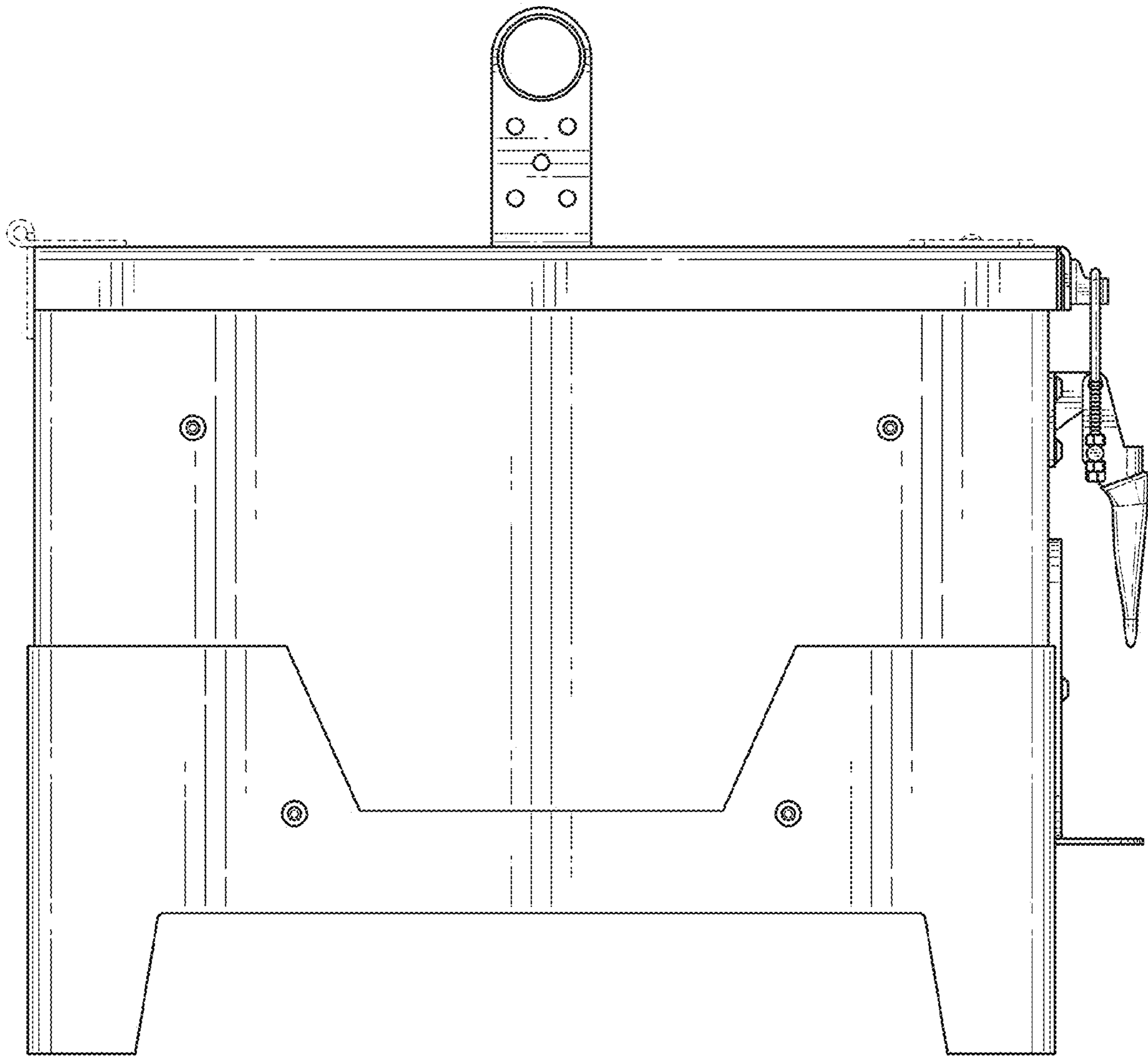


FIG. 4

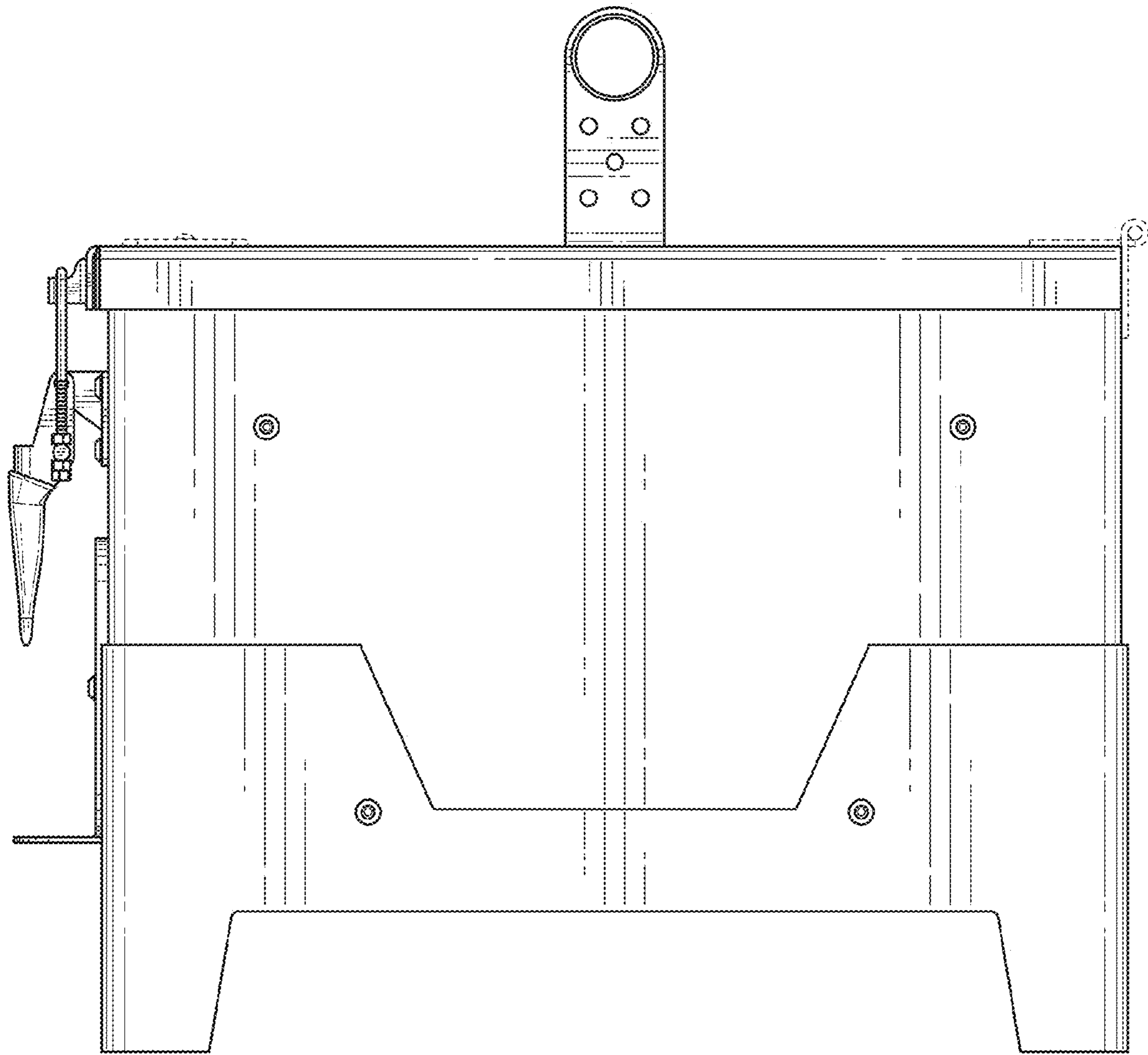


FIG. 5

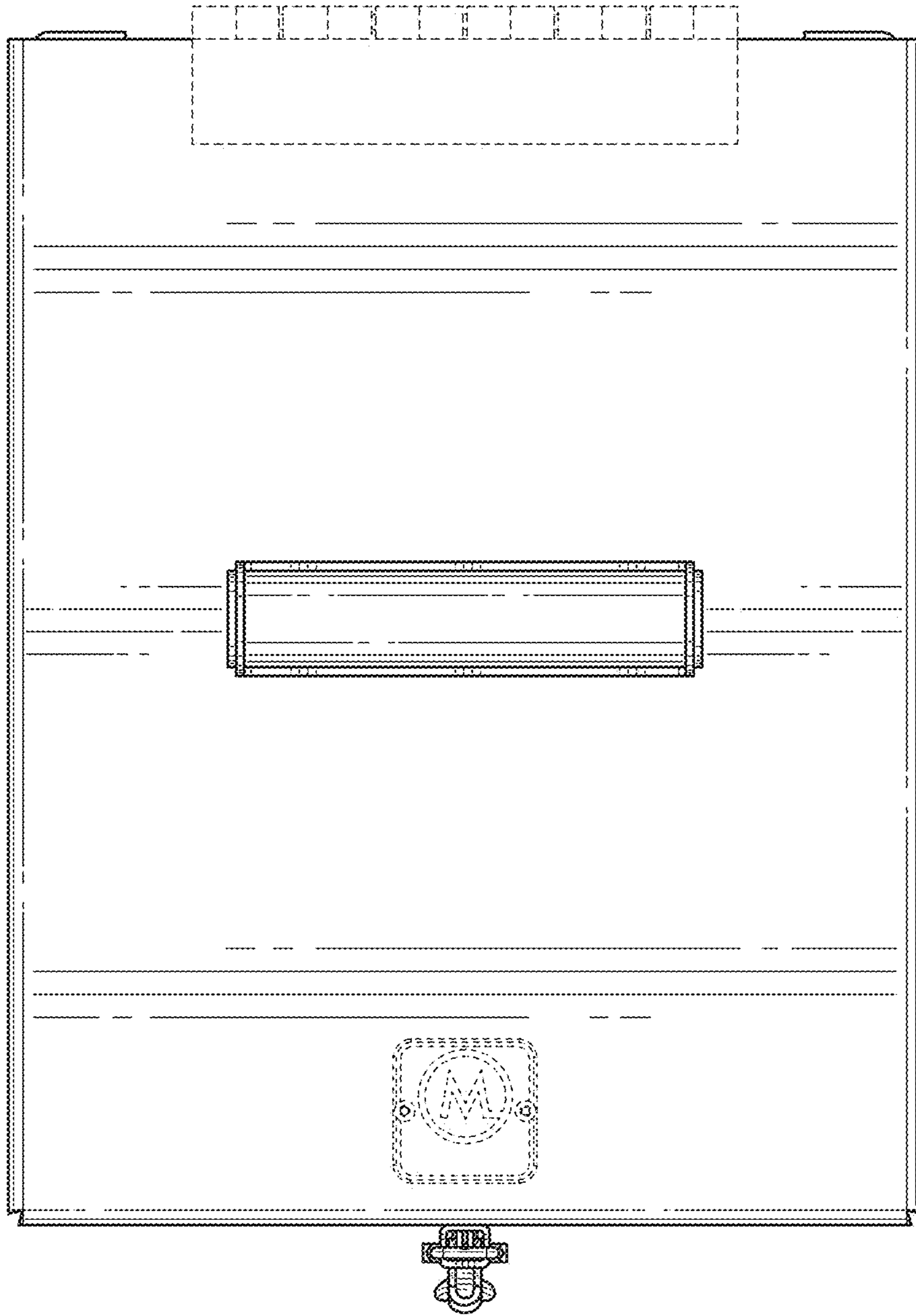


FIG. 6

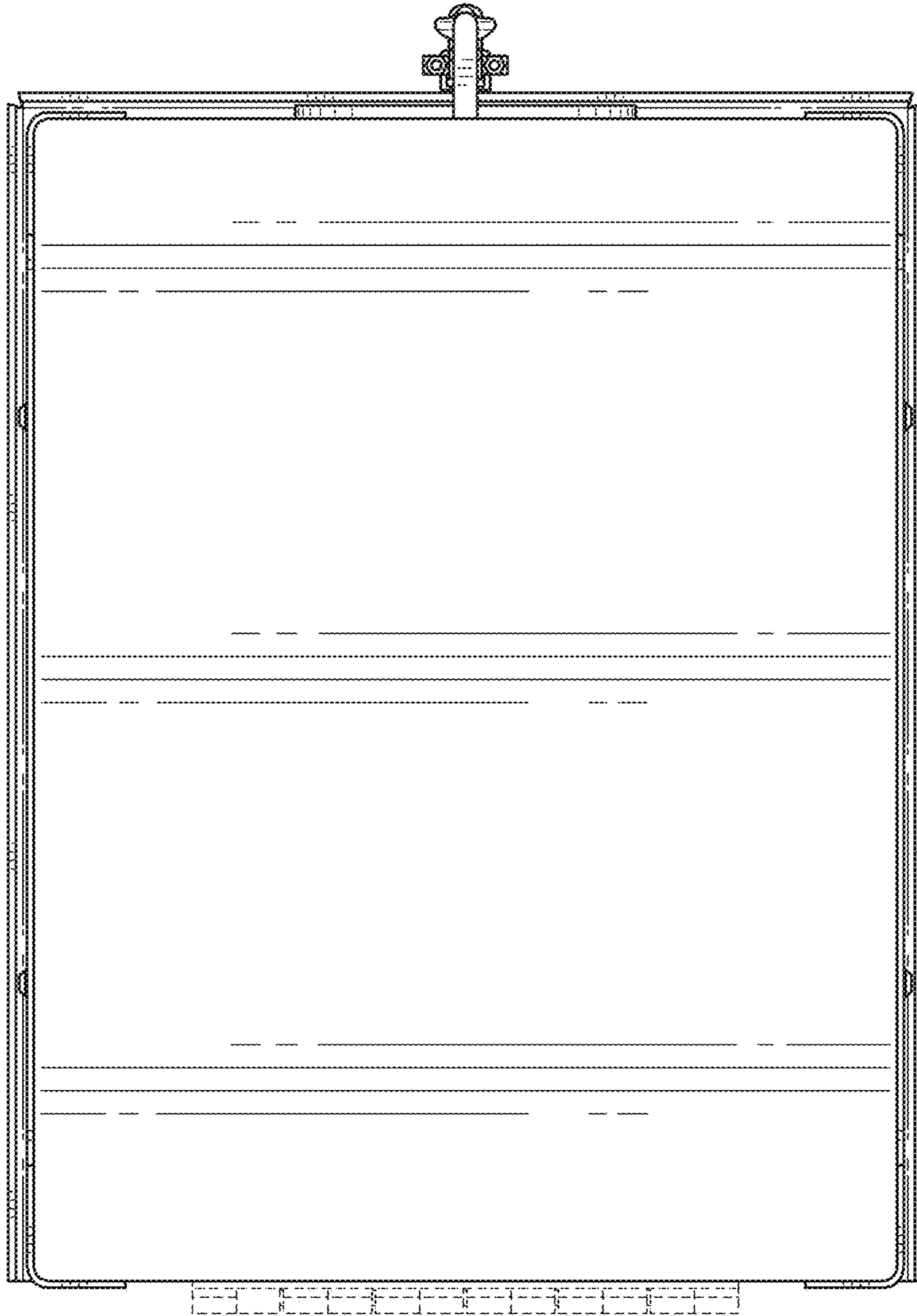


FIG. 7