

US00D952388S

(12) **United States Design Patent** (10) **Patent No.:** **US D952,388 S**  
**Hoare et al.** (45) **Date of Patent:** **\*\* May 24, 2022**

(54) **COFFEE MACHINE**  
(71) Applicant: **BREVILLE PTY LIMITED**,  
Alexandria (AU)  
(72) Inventors: **Richard Hoare**, Alexandria (AU);  
**David Davenport**, Alexandria (AU);  
**Adam Fransen**, Alexandria (AU)  
(73) Assignee: **BREVILLE PTY LIMITED**,  
Alexandria (AU)

D650,626 S 12/2011 Bodum  
D669,154 S \* 10/2012 Choi ..... D23/207  
D721,531 S 1/2015 Krasne  
D735,515 S 8/2015 Fusco  
D738,149 S \* 9/2015 Ye ..... D7/306  
D747,144 S \* 1/2016 Sun ..... D7/510  
D811,815 S \* 3/2018 Fletcher ..... D7/397  
D830,757 S 10/2018 Lee  
D861,407 S 10/2019 Vu

(Continued)

(\*\*) Term: **15 Years**

RU 115634 S 7/2019

(21) Appl. No.: **29/727,067**

OTHER PUBLICATIONS

(22) Filed: **Mar. 8, 2020**

Bambino Espresso Machine | posted at Amazon.com, posted on Feb. 12, 2018, © 1996-2022 Amazon.com, [online], [site visited Jan. 21, 2022]. Available from Internet, <URL: https://www.amazon.com/Breville-BES500BSS-Bambino-Espresso-Stainless/dp/B07JVD78TT/> (Year: 2018).\*

(30) **Foreign Application Priority Data**

Mar. 2, 2020 (AU) ..... 202011237

(51) **LOC (13) Cl.** ..... **07-01**

(52) **U.S. Cl.**  
USPC ..... **D7/306; D7/309; D7/311**

(58) **Field of Classification Search**  
USPC ..... D7/300, 305, 306, 309-311, 355, 362,  
D7/365, 367, 397  
CPC ..... A47J 31/46; A47J 31/407; A47J 31/50;  
A47J 31/18; A47J 31/00; A47J 31/0573;  
A47J 31/52; A47J 27/04  
See application file for complete search history.

*Primary Examiner* — Andrew Kerr  
(74) *Attorney, Agent, or Firm* — Moser Taboada

(56) **References Cited**

U.S. PATENT DOCUMENTS

D288,887 S \* 3/1987 Schultz, Sr. .... D7/309  
D462,226 S 9/2002 Williamson  
D540,102 S 4/2007 Carss  
D587,510 S 3/2009 Lam  
D594,688 S \* 6/2009 Hammad ..... D7/306  
D619,410 S 7/2010 Pino  
D620,302 S 7/2010 Picozza  
D627,188 S \* 11/2010 Picozza ..... D7/309  
D647,750 S 11/2011 Duncan

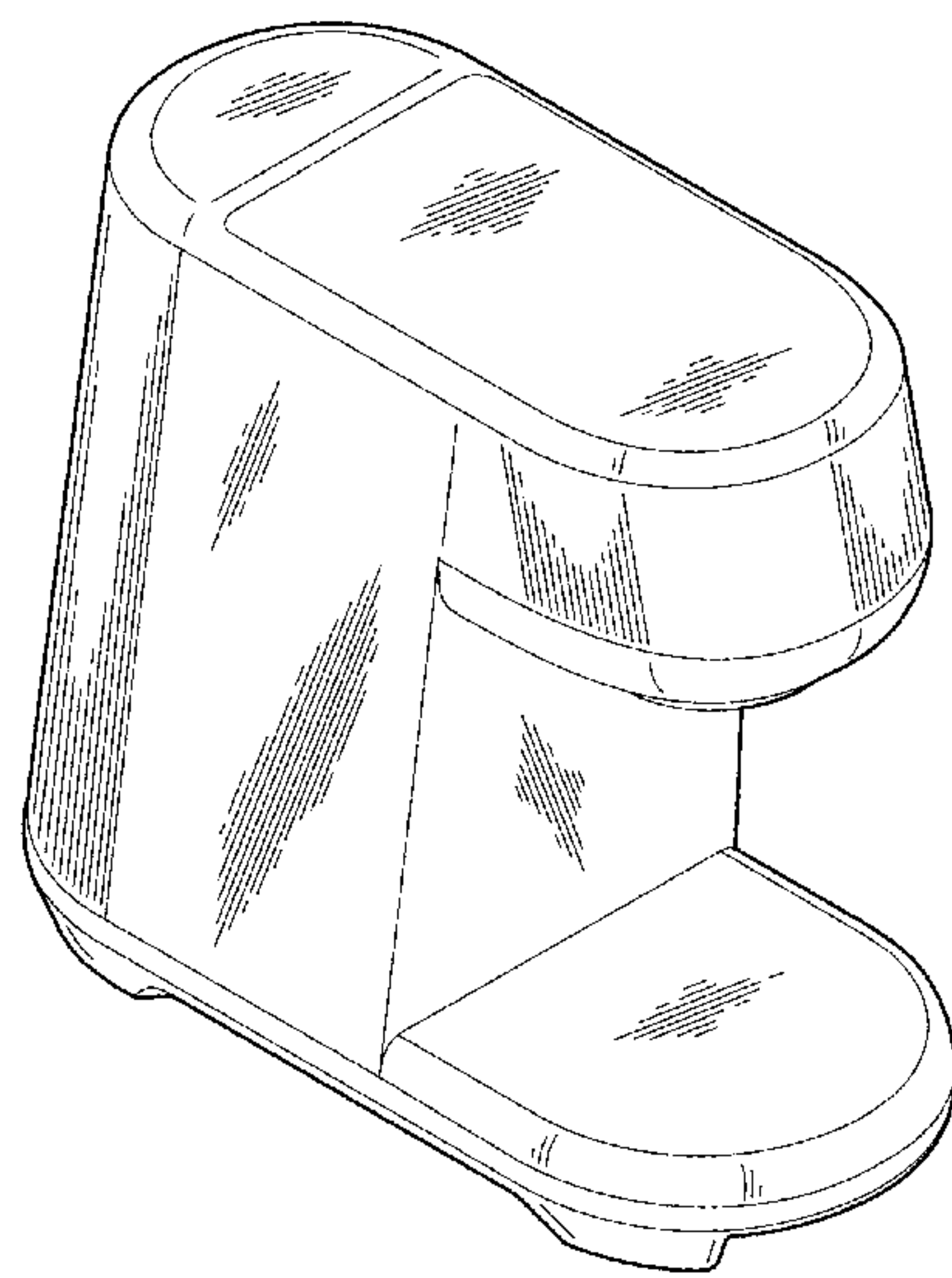
(57) **CLAIM**

The ornamental design for a coffee machine, as shown and described.

**DESCRIPTION**

FIG. 1 is a front perspective view of a coffee machine showing the new design;  
FIG. 2 is a rear perspective view of the design shown in FIG. 1;  
FIG. 3 is a front view of the design shown in FIG. 1;  
FIG. 4 is a right side view of the design shown in FIG. 1;  
FIG. 5 is a rear view of the design shown in FIG. 1;  
FIG. 6 is a left side view of the design shown in FIG. 1;  
FIG. 7 is a top view of the design shown in FIG. 1; and,  
FIG. 8 is a bottom view of the design shown in FIG. 1.

**1 Claim, 7 Drawing Sheets**



(56)

**References Cited**

U.S. PATENT DOCUMENTS

D872,513 S \* 1/2020 Kaplan ..... D7/306  
D882,321 S 4/2020 Fisher Wong  
D885,817 S \* 6/2020 Ye ..... D7/306  
D894,658 S \* 9/2020 Davenport ..... D7/309  
D894,661 S 9/2020 Yin  
D899,195 S \* 10/2020 Reiser ..... D7/589  
2017/0099983 A1 \* 4/2017 Hanes ..... A47J 31/465

\* cited by examiner

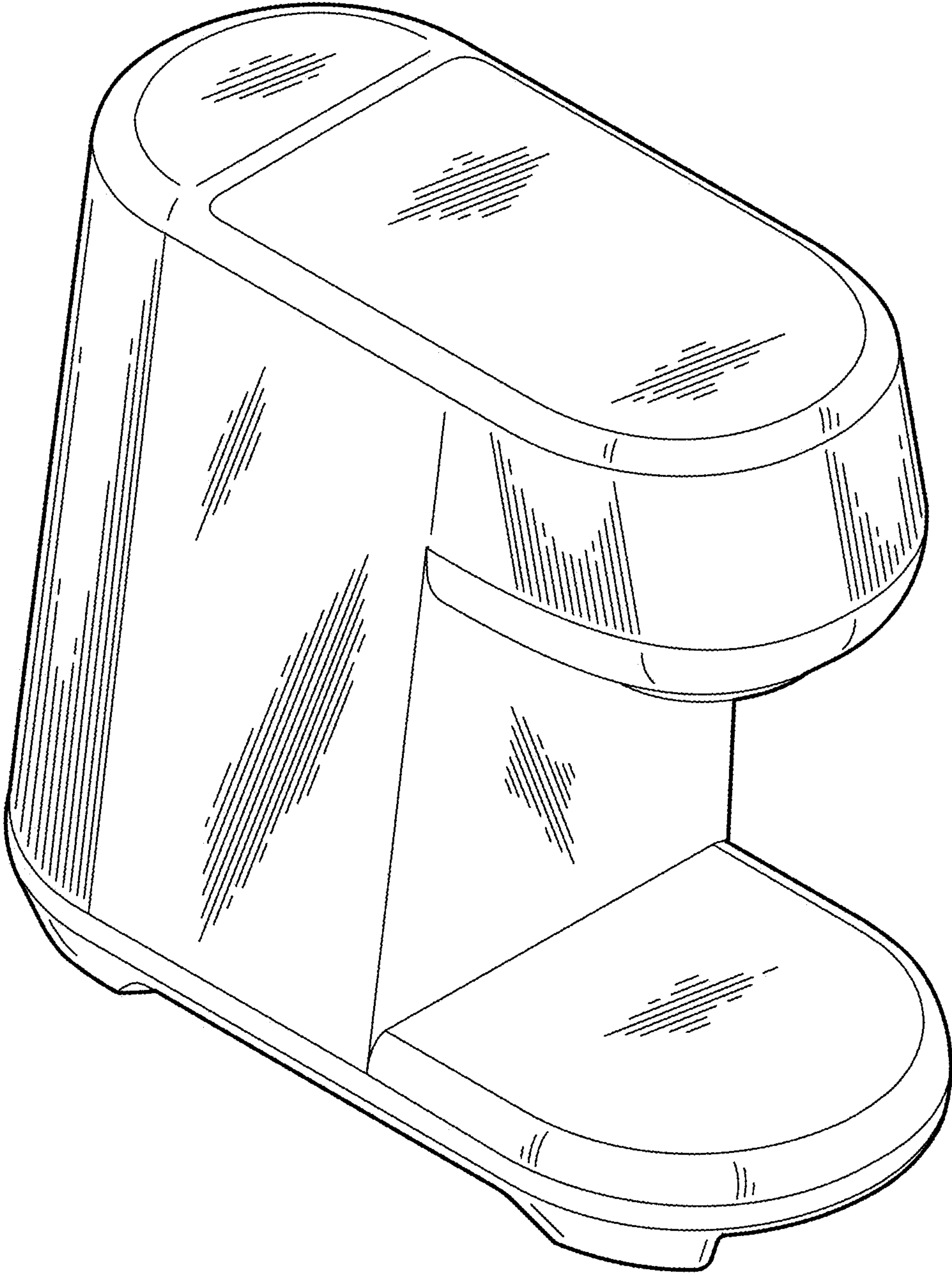


FIG. 1

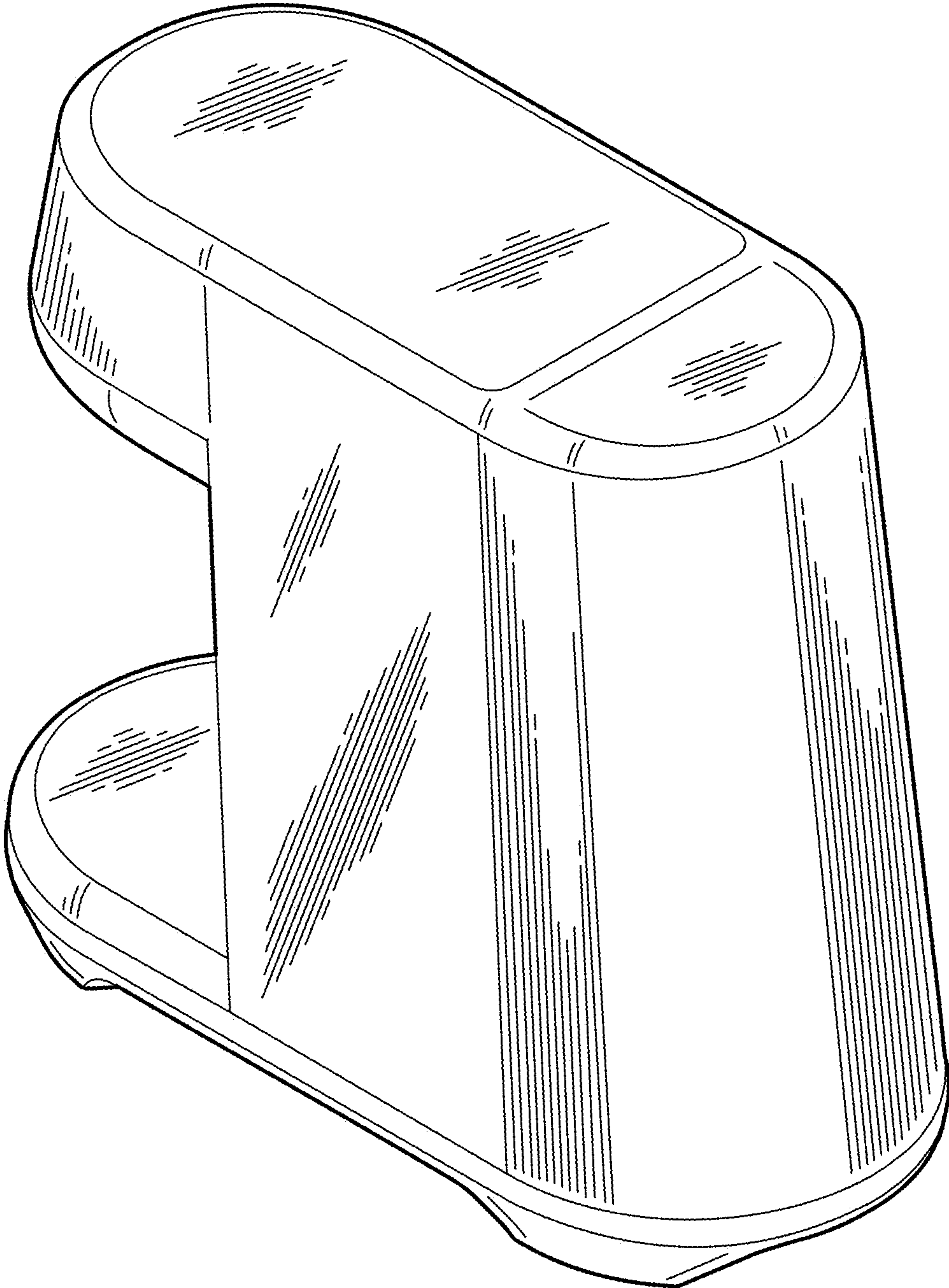


FIG. 2



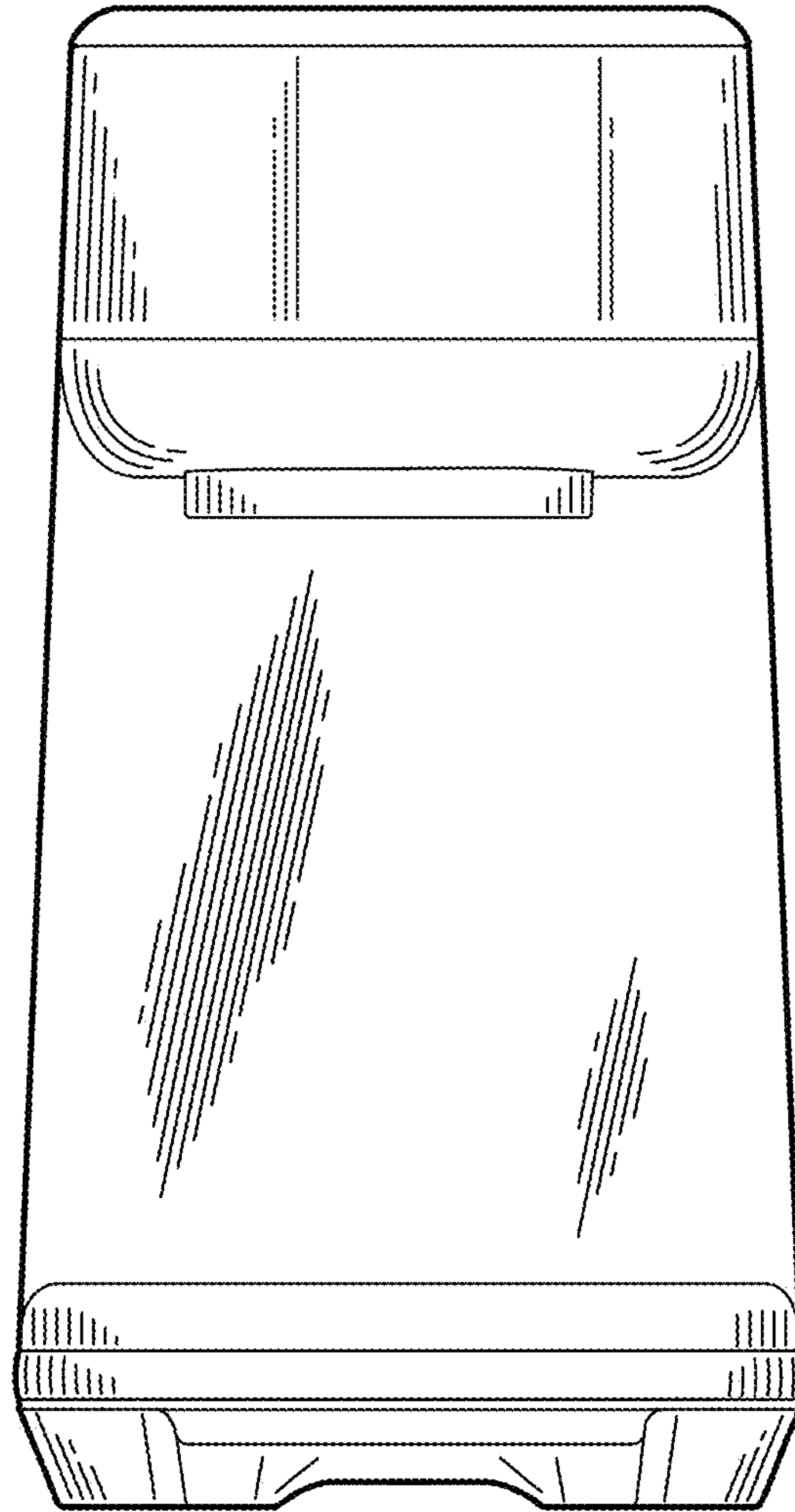


FIG. 3

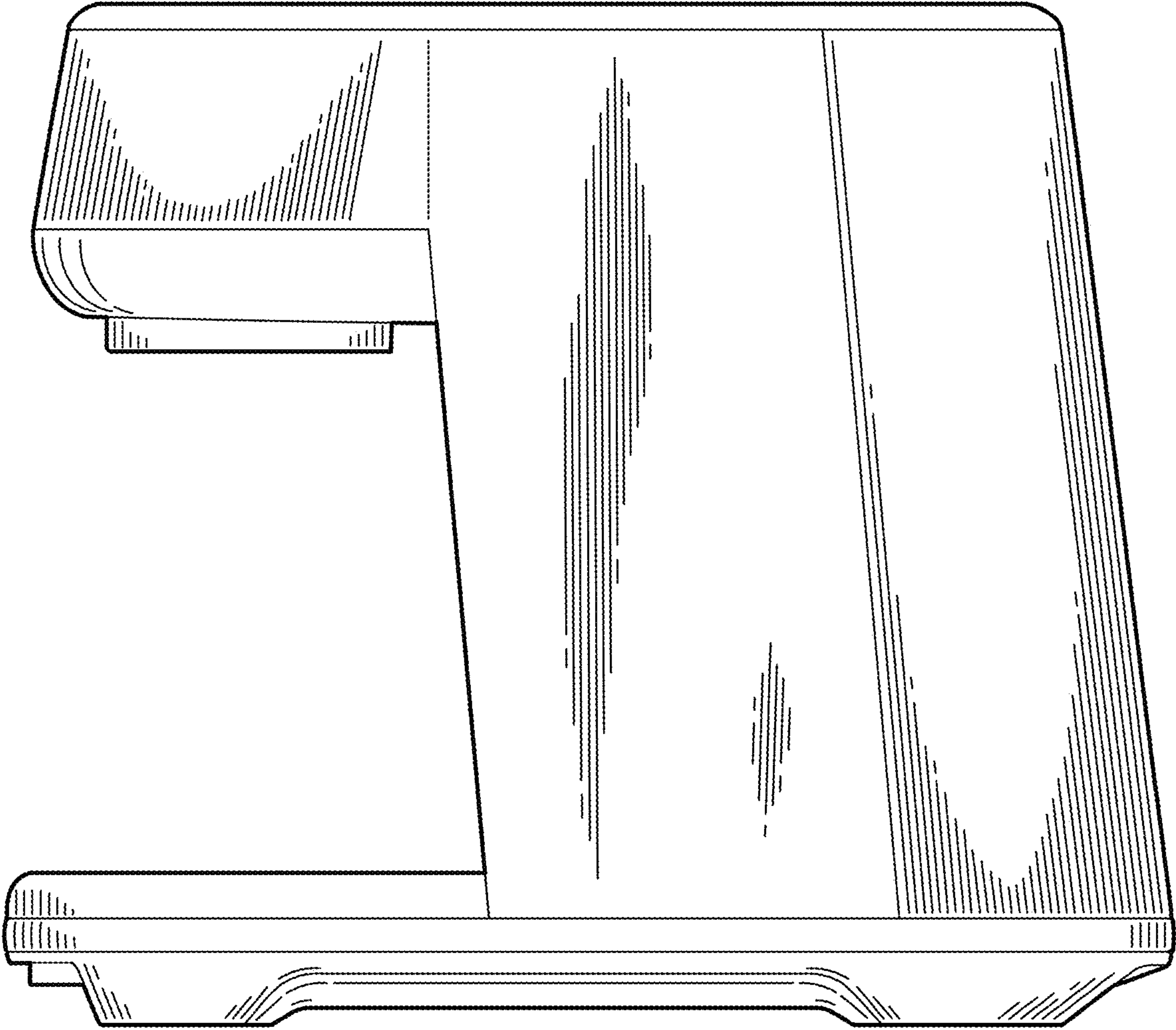


FIG. 4

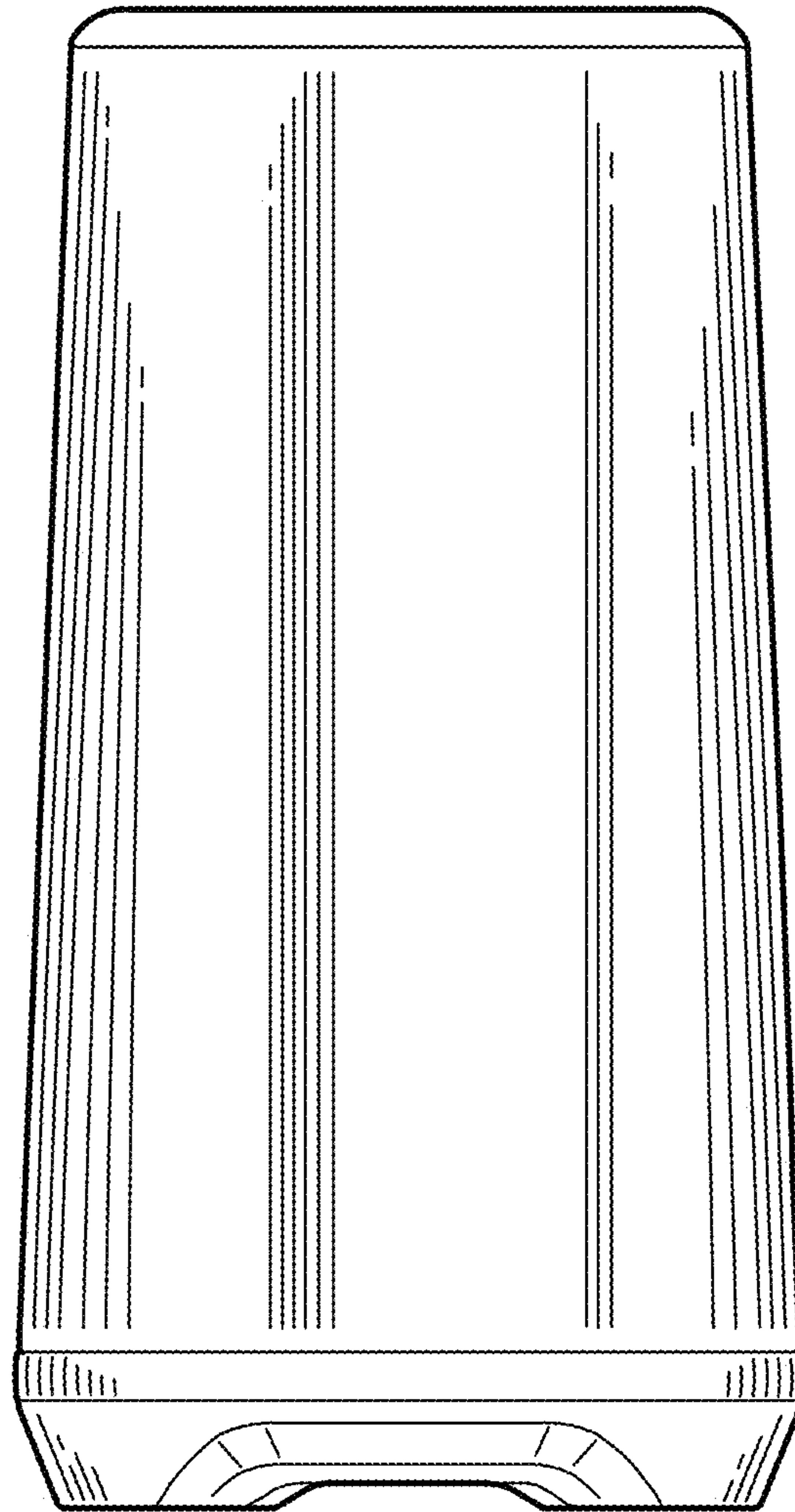


FIG. 5

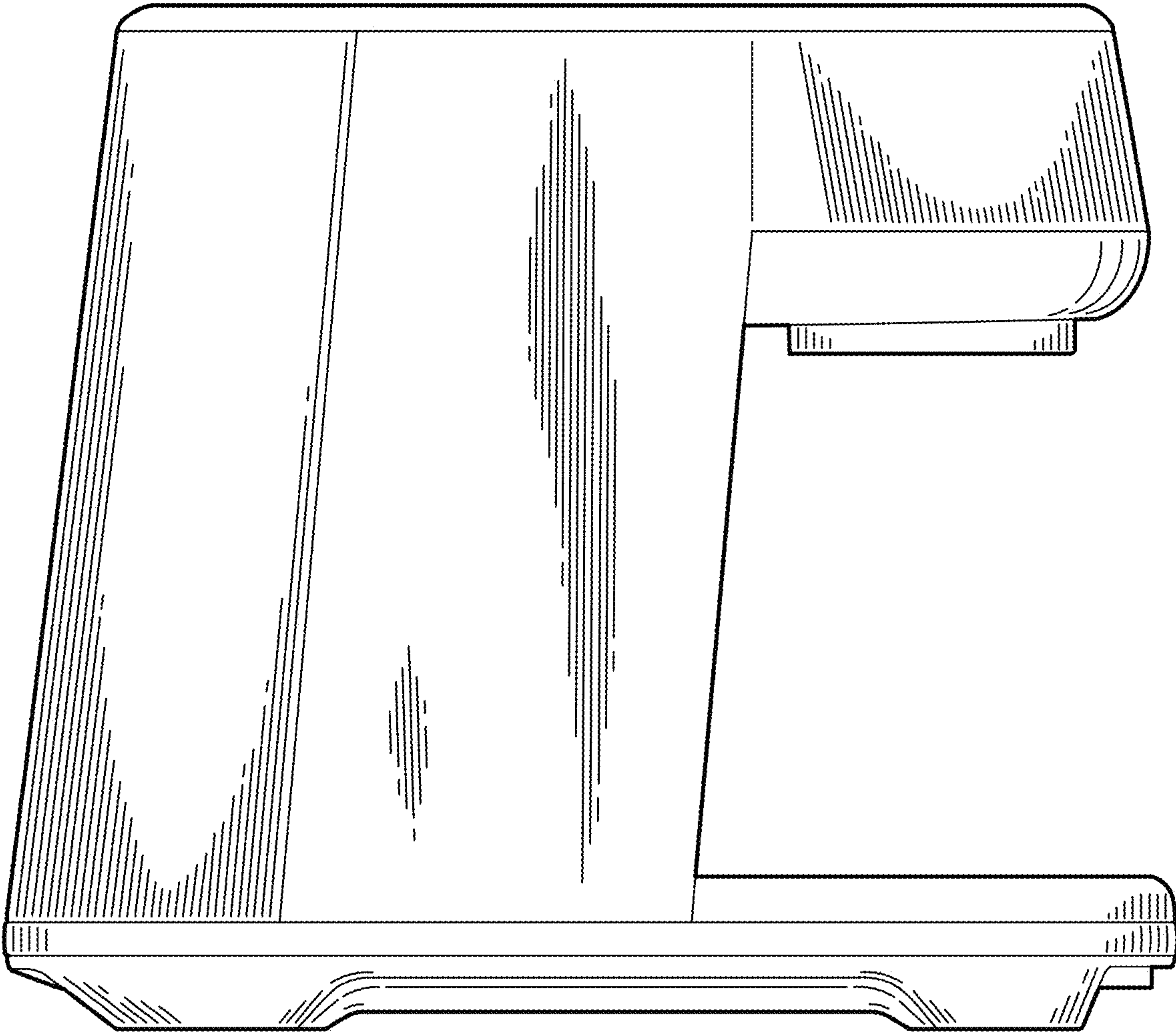


FIG. 6



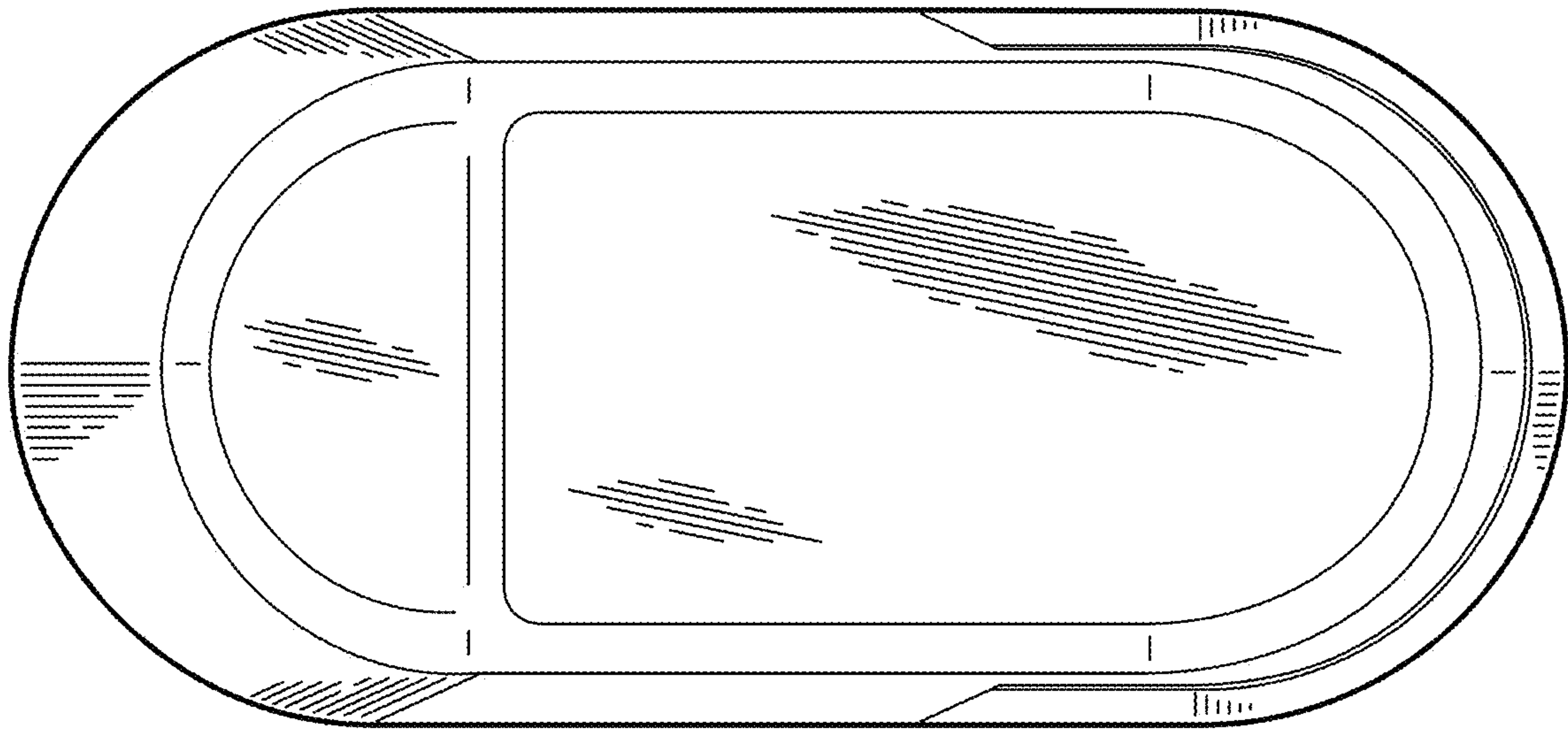


FIG. 7

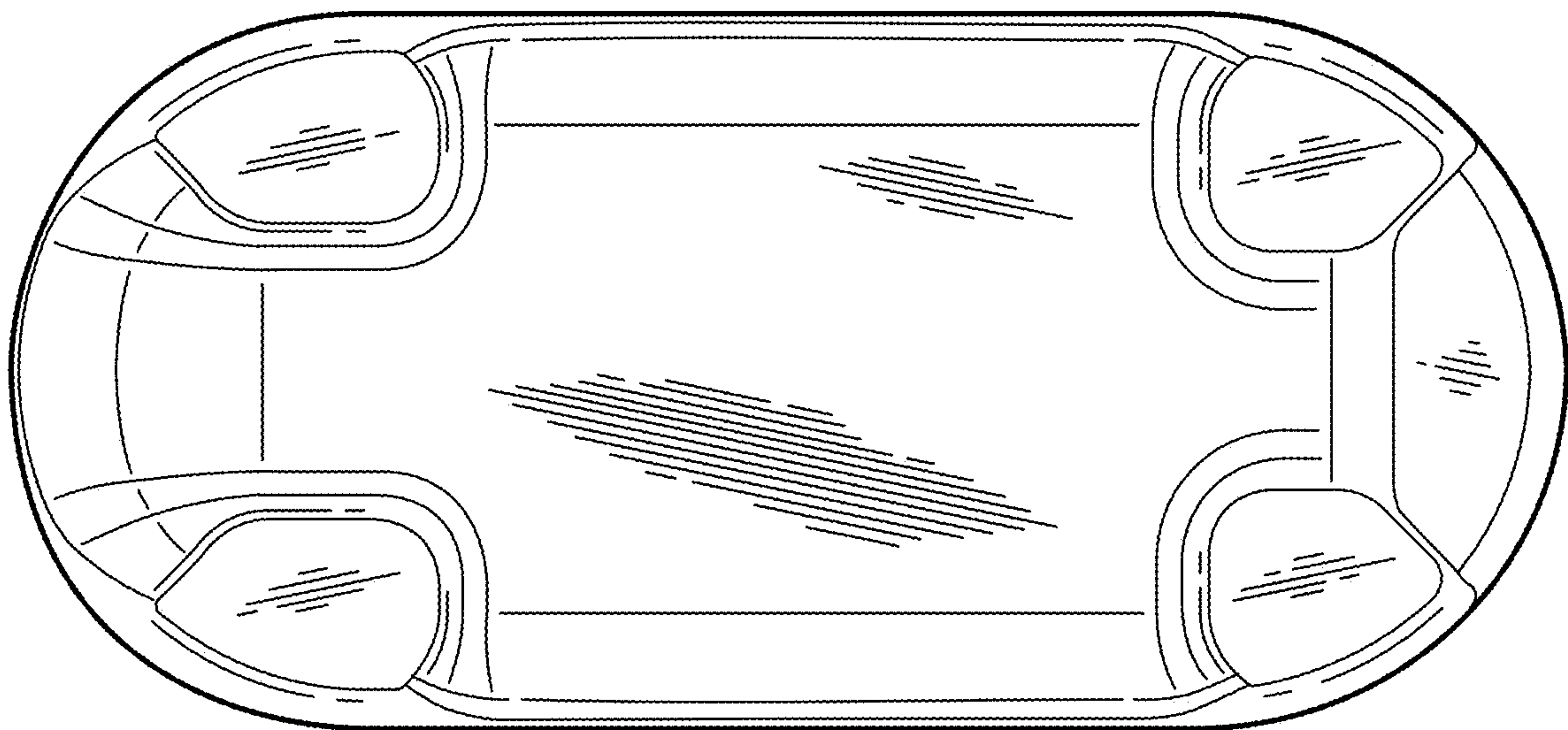


FIG. 8