



US00D952387S

(12) **United States Design Patent**  
**Tangeman et al.**

(10) **Patent No.:** **US D952,387 S**

(45) **Date of Patent:** **\*\* May 24, 2022**

(54) **HEADREST**

(71) Applicant: **Midmark Corporation**, Versailles, OH (US)

(72) Inventors: **Matthew A. Tangeman**, New Bremen, OH (US); **Rainer B. Teufel**, Worthington, OH (US); **Jeffrey T. DeBord**, Worthington, OH (US)

(73) Assignee: **Midmark Corporation**, Versailles, OH (US)

(\*\*) Term: **15 Years**

(21) Appl. No.: **29/729,535**

(22) Filed: **Mar. 27, 2020**

(51) **LOC (13) Cl.** ..... **06-01**

(52) **U.S. Cl.**  
USPC ..... **D6/716.5**

(58) **Field of Classification Search**  
USPC ..... D6/334-336, 356, 364, 365, 366, 367, D6/716, 716.1, 716.4, 716.5  
CPC .. A47C 7/38; A47C 7/386; B60N 2/00; B60N 2/20; B60N 2/58; B60N 2/64; B60N 2/646; B60N 2/686; B60N 2/80; B60N 2/803; B60N 2/806

See application file for complete search history.

(56) **References Cited**

**U.S. PATENT DOCUMENTS**

D506,084 S \* 6/2005 Beermann ..... D6/356  
D555,922 S \* 11/2007 Esaki ..... D6/356

D723,821 S \* 3/2015 Kondou ..... D6/356  
D750,929 S \* 3/2016 Line ..... D6/716.5  
D808,185 S \* 1/2018 Kondo ..... D6/356  
10,246,022 B2 \* 4/2019 Perrin ..... B60N 2/64  
10,843,604 B2 \* 11/2020 Kajino ..... B60N 2/80

\* cited by examiner

*Primary Examiner* — Mimosa De

(74) *Attorney, Agent, or Firm* — Frost Brown Todd LLC

(57) **CLAIM**

The ornamental design for a headrest, as shown and described.

**DESCRIPTION**

FIG. 1 is a right front perspective view of a headrest showing our new design;

FIG. 2 is a left rear perspective view thereof;

FIG. 3 is a front elevational view thereof;

FIG. 4 is a rear elevational view thereof;

FIG. 5 is a right elevational view thereof;

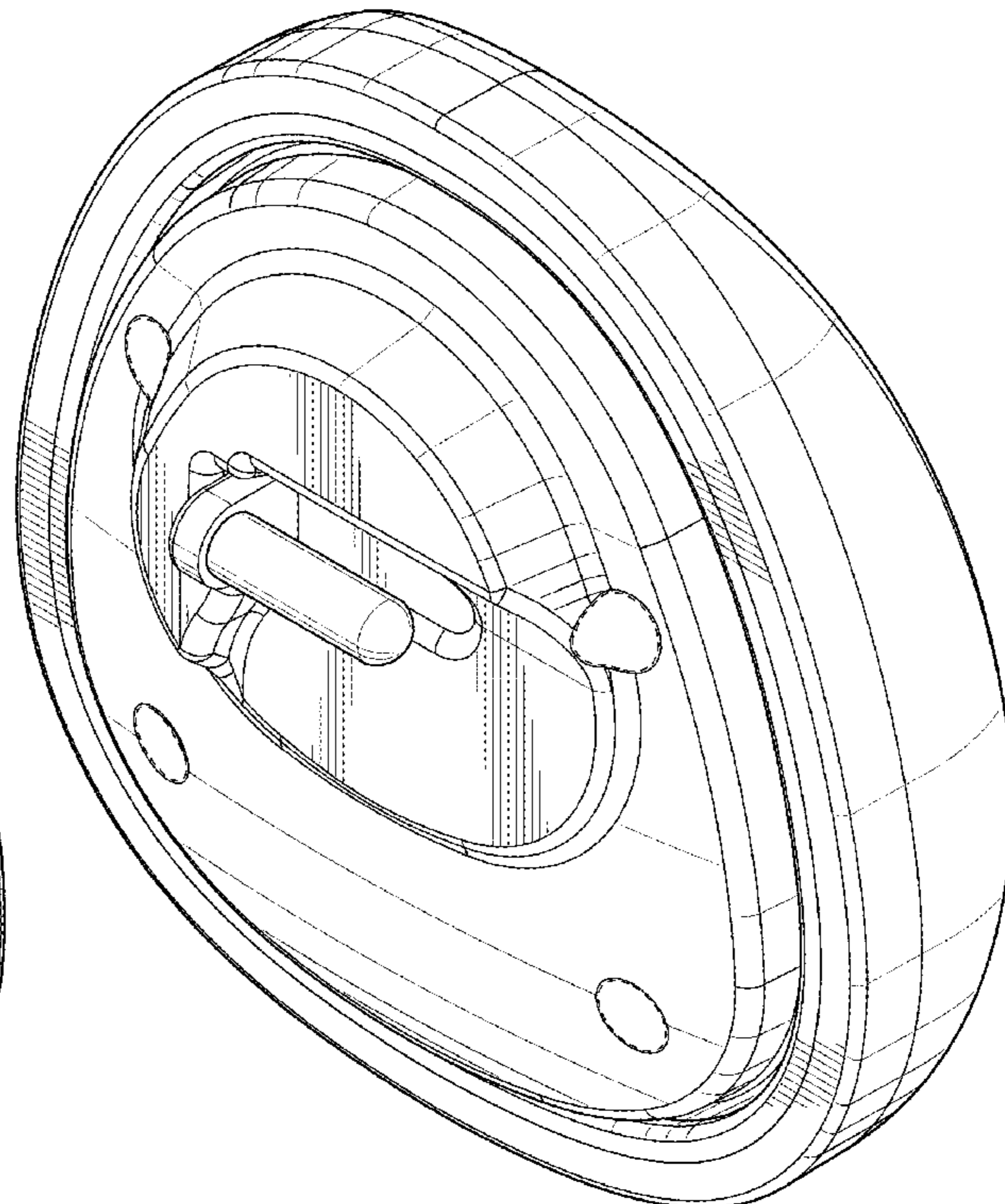
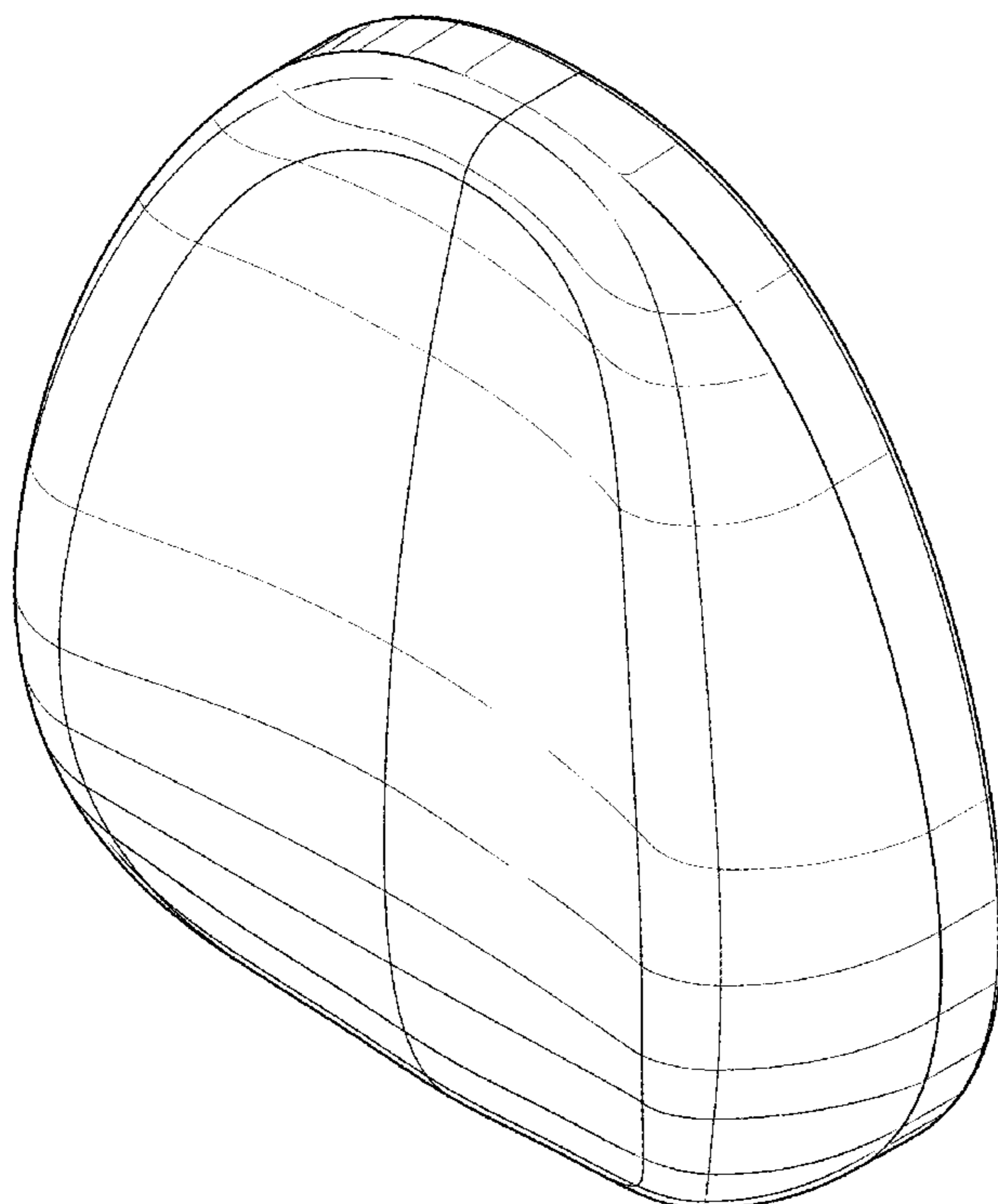
FIG. 6 is a left elevational view thereof;

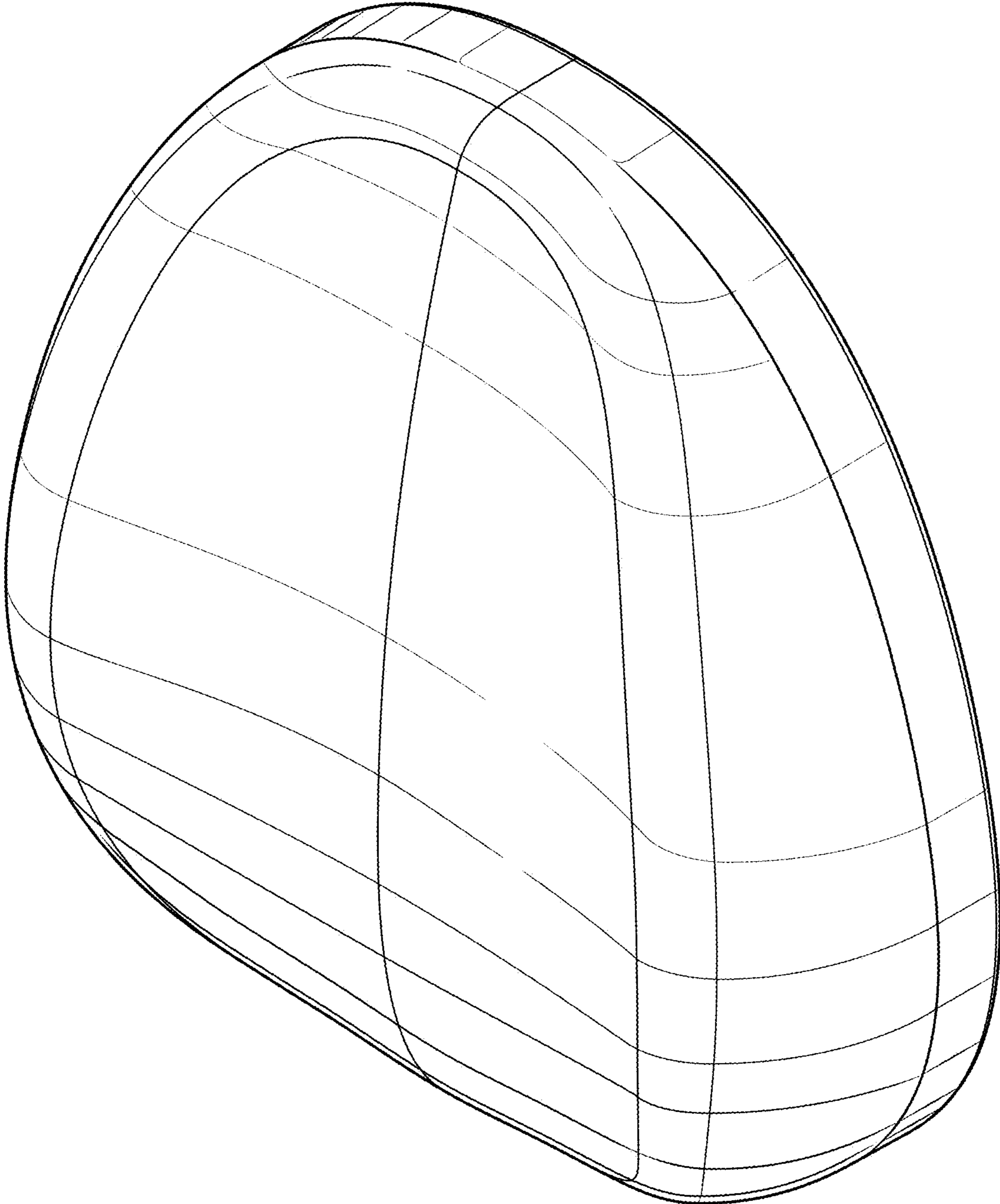
FIG. 7 is a top plan view thereof; and,

FIG. 8 is a bottom plan view thereof.

The areas encircled by the broken lines shown in the drawings form no part of the claimed design.

**1 Claim, 6 Drawing Sheets**





**FIG. 1**

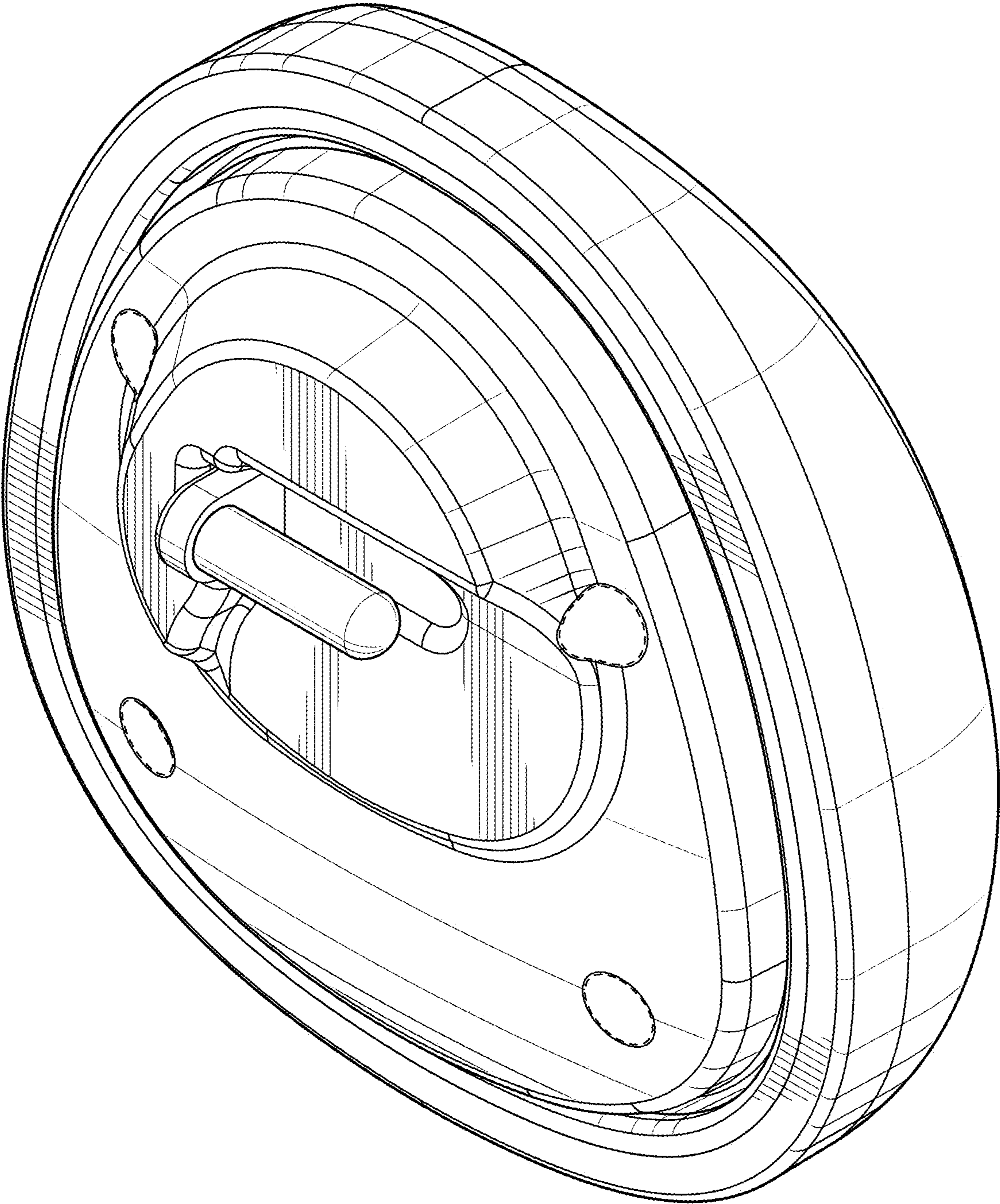
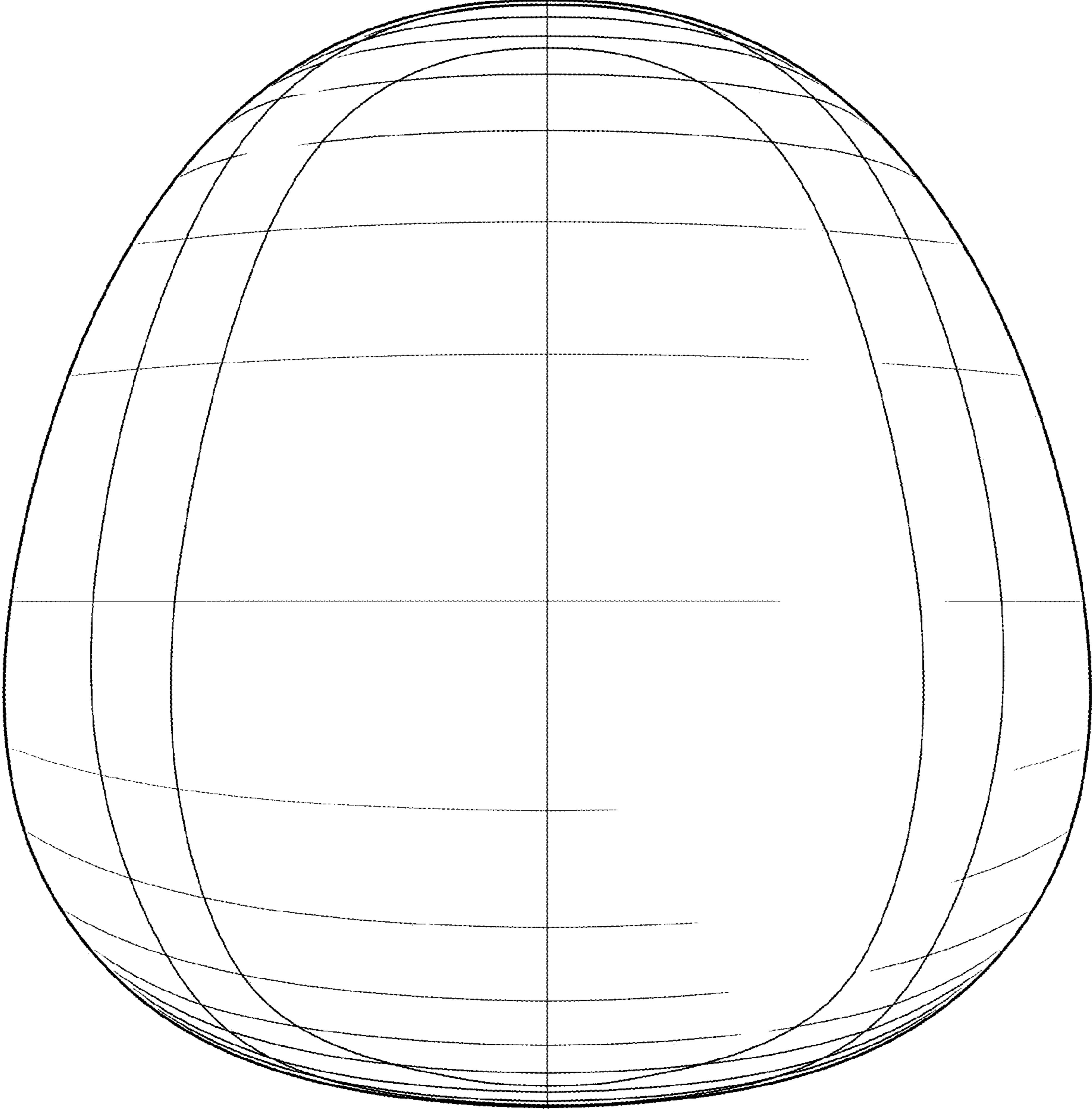


FIG. 2



**FIG. 3**

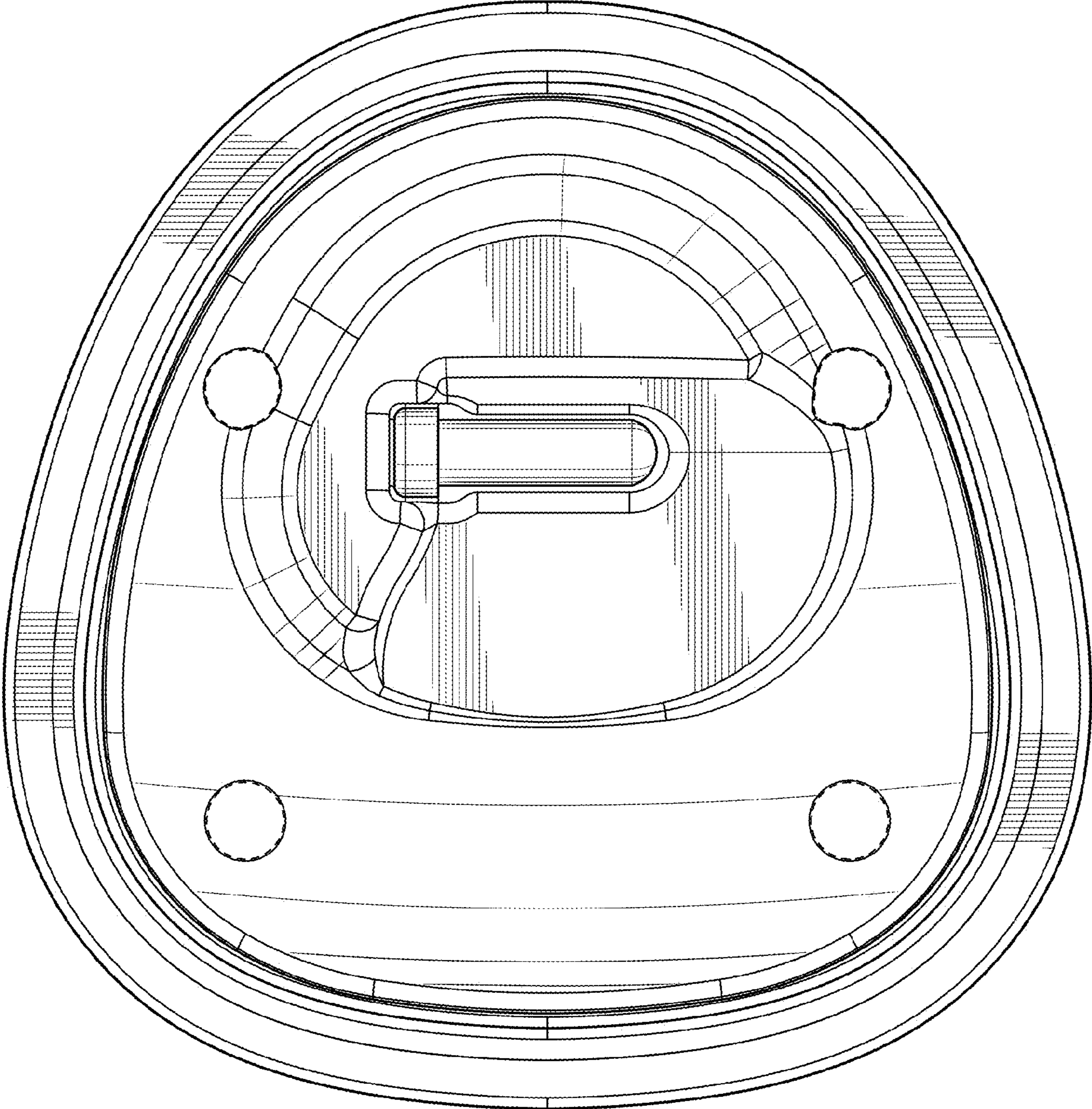
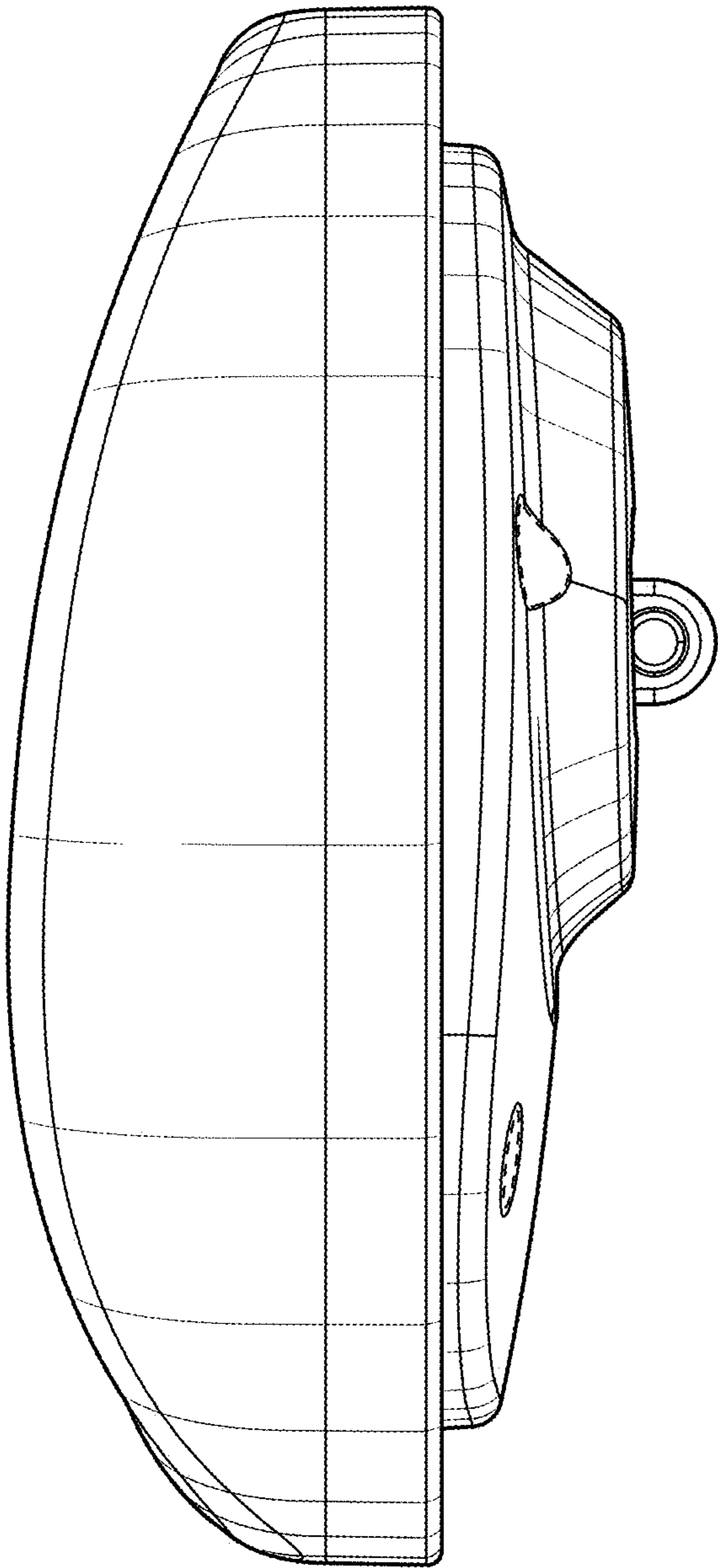
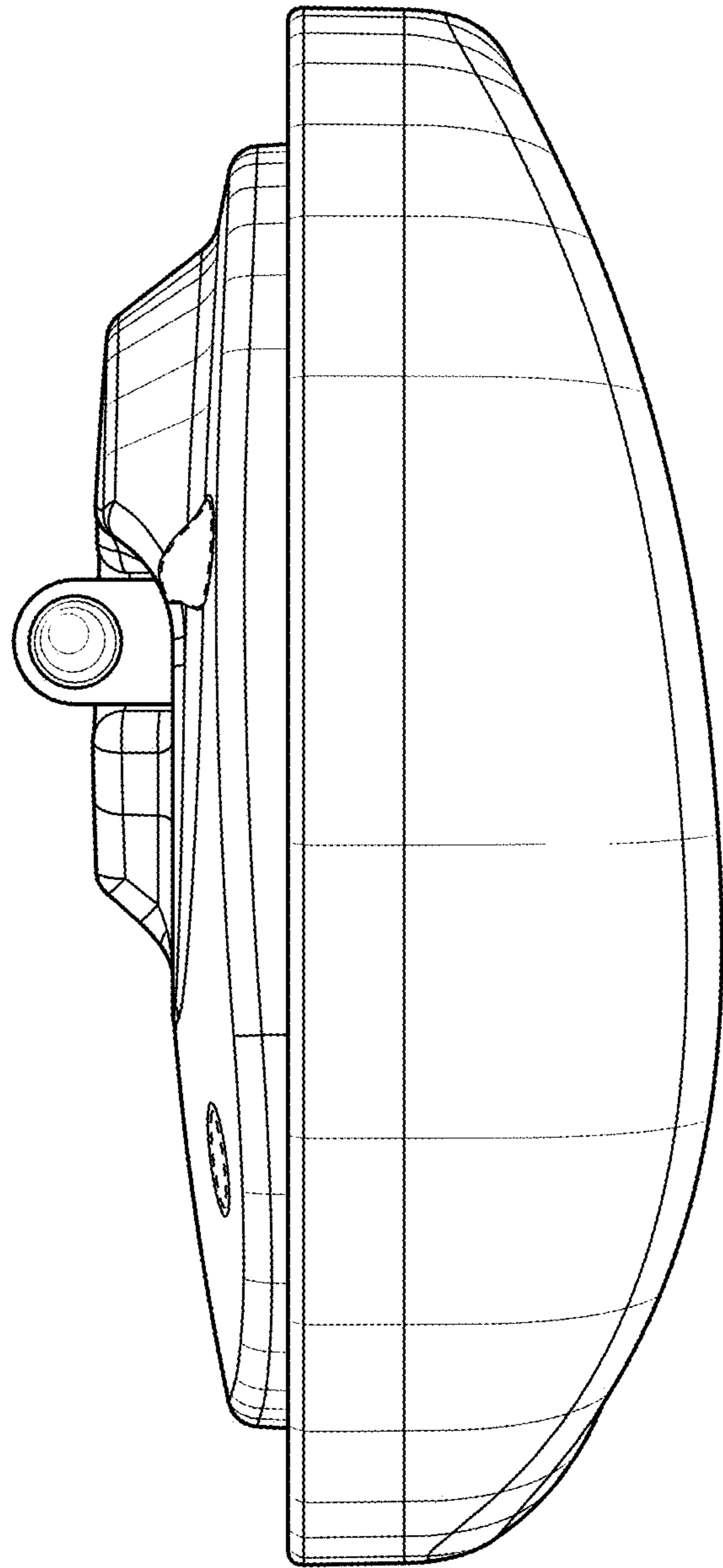


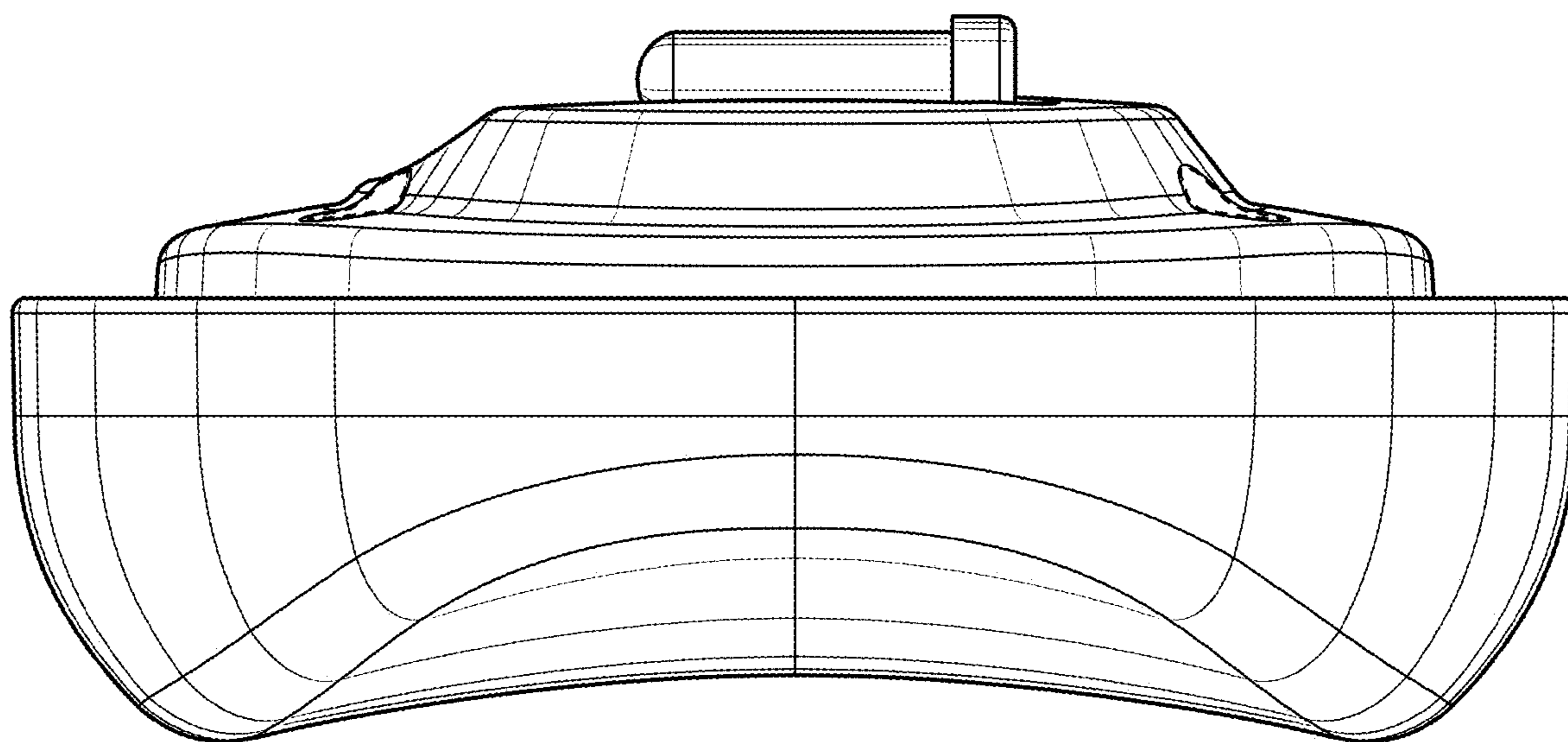
FIG. 4



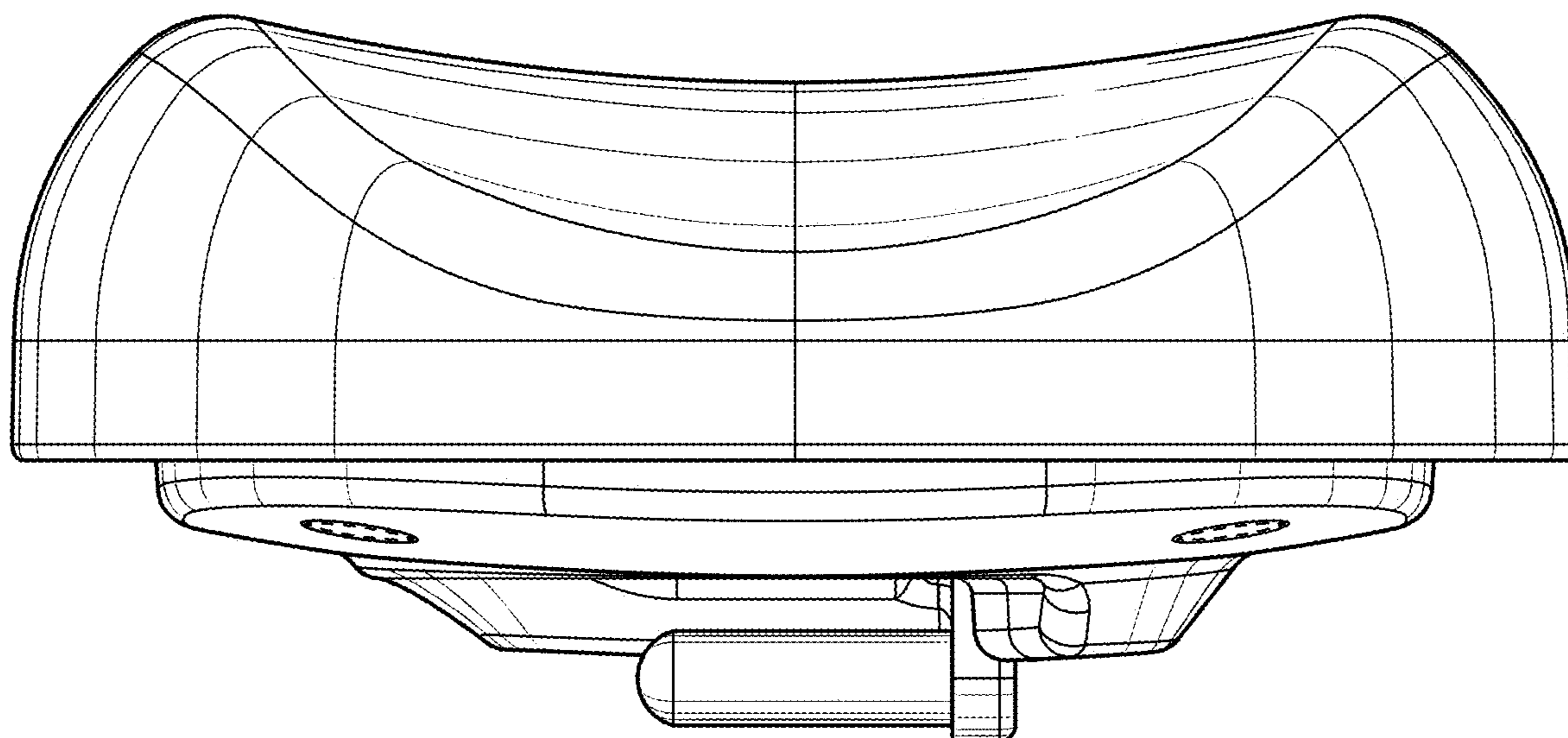
**FIG. 5**



**FIG. 6**



**FIG. 7**



**FIG. 8**