

US00D952386S

(12) **United States Design Patent** (10) **Patent No.:** **US D952,386 S**
Bodman (45) **Date of Patent:** **** May 24, 2022**

(54) **ANGULAR SHOWER BENCH**

OTHER PUBLICATIONS

(71) Applicant: **Mobb Health Care Ltd Corporation**,
Concord (CA)

(72) Inventor: **Moshe Bodman**, Toronto (CA)

(73) Assignee: **Mobb Health Care Ltd Corporation**

(**) Term: **15 Years**

(21) Appl. No.: **29/718,601**

(22) Filed: **Dec. 26, 2019**

(51) **LOC (13) Cl.** **06-06**

(52) **U.S. Cl.**
USPC **D6/716.1**

(58) **Field of Classification Search**
USPC D6/334-336, 349, 367, 368, 374, 379,
D6/380, 716, 716.1, 716.2, 716.3, 716.4,
D6/601; D23/304
CPC .. A47C 7/024; A47C 3/34; A47C 7/02; A47C
7/18; A47C 7/24; A47K 3/022; A47K
3/12; A47K 3/122; A47K 3/125; A47K
3/162; A47K 3/282
See application file for complete search history.

(56) **References Cited**

U.S. PATENT DOCUMENTS

D295,476 S * 5/1988 Halpain D6/601
D342,779 S * 12/1993 Root D23/304
D444,550 S * 7/2001 Cobbs D23/304
D478,751 S * 8/2003 Gilbert D6/716.1
7,121,620 B1 * 10/2006 Fang A47K 3/122
297/51
D878,794 S * 3/2020 Preece D6/377
2007/0046077 A1 * 3/2007 Fang A47K 3/122
297/130
2020/0229653 A1 * 7/2020 Williams A47K 3/282

FOREIGN PATENT DOCUMENTS

WO WO-0170088 A1 * 9/2001 A47K 3/122

Equate Durable Transfer Bench with Back Rest, Shower Bench, Black, from walmart.com, Retrieved Date: Feb. 17, 2022, p. 1, from https://www.walmart.com/ip/Equate-Durable-Transfer-Bench-with-Back-Rest-Shower-Bench-Black/14179104?wmlspartner=wlp&selectedSellerId=0&w13=5880&adid=222222227714179104_11775028669_12420145346&wmlspartner=wmtlabs&w10=&w11=g&w12=c&w13=501107745824&w14=pla-293946777986&w15=1027027&w16=&w17=&w18=&w19=pla&w110=8175035&w111=local&w112=14179104&w113=5880&veh=sem_LIA&gclid=EAlalQobChMlnledw_yG9glVGqSzCh2EJgnoEAQYBSABEgK1b_D_BwE&gclsrc=aw.ds (Year: 2022).*

* cited by examiner

Primary Examiner — Mimosa De
(74) *Attorney, Agent, or Firm* — Greg M. Popowitz;
Assouline & Berlowe, P.A.

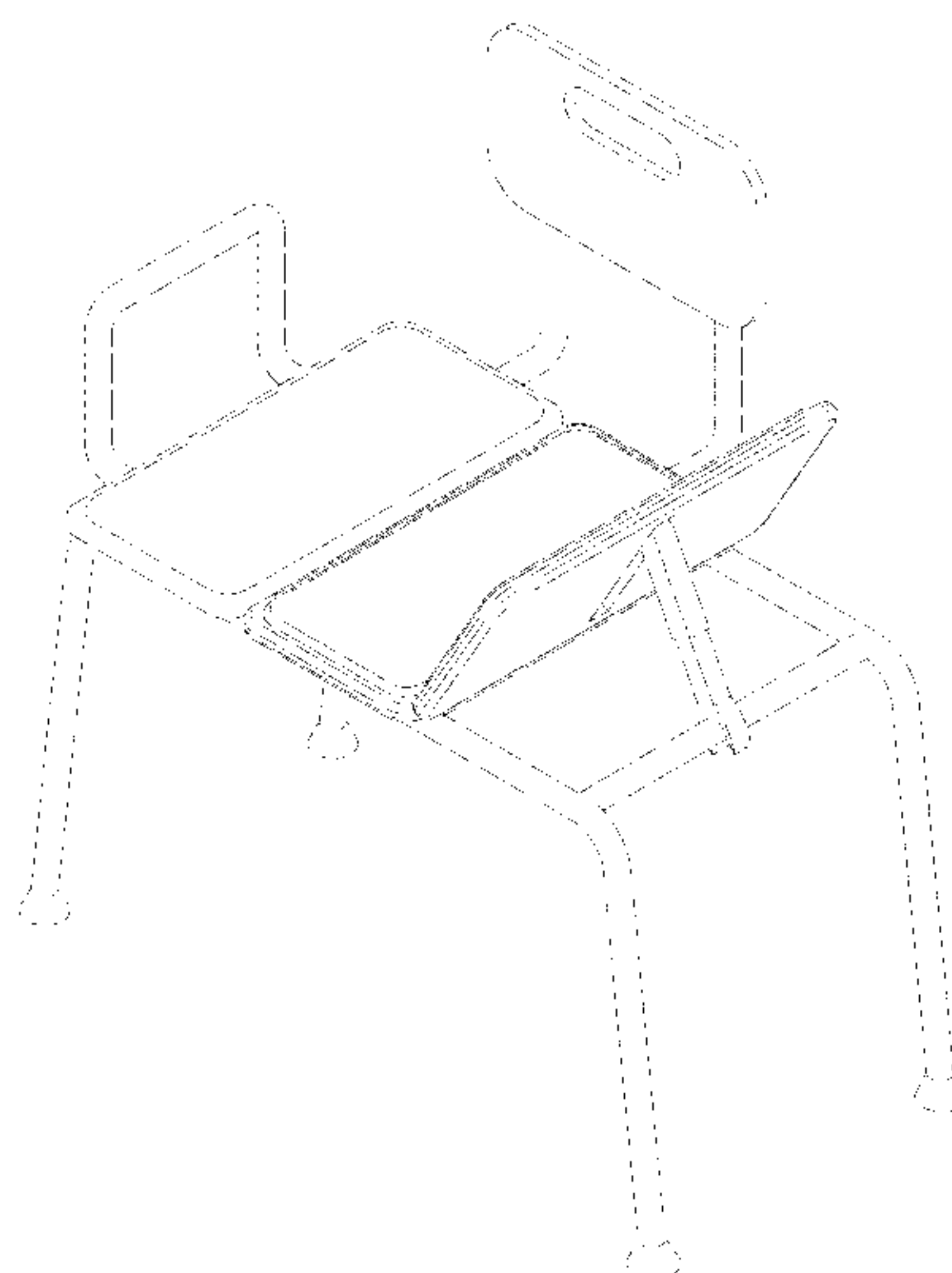
(57) **CLAIM**

The ornamental design for an angular shower bench, as shown and described.

DESCRIPTION

FIG. 1 is a front perspective view of a shower bench, with one panel set at an angle.
FIG. 2 is a front view thereof.
FIG. 3 is a back view thereof.
FIG. 4 is a left side view thereof.
FIG. 5 is a right side view thereof.
FIG. 6 is a top view thereof.
FIG. 7 is a bottom view thereof.
FIG. 8 is an isolated view of the angled panel at a first angular position.
FIG. 9 is an isolated view of the angled panel at a second angular position; and,
FIG. 10 is an isolated view of the angled panel at a third angular position.
The illustrative broken lines depict environmental subject matter that form no part of the claimed design.

1 Claim, 8 Drawing Sheets



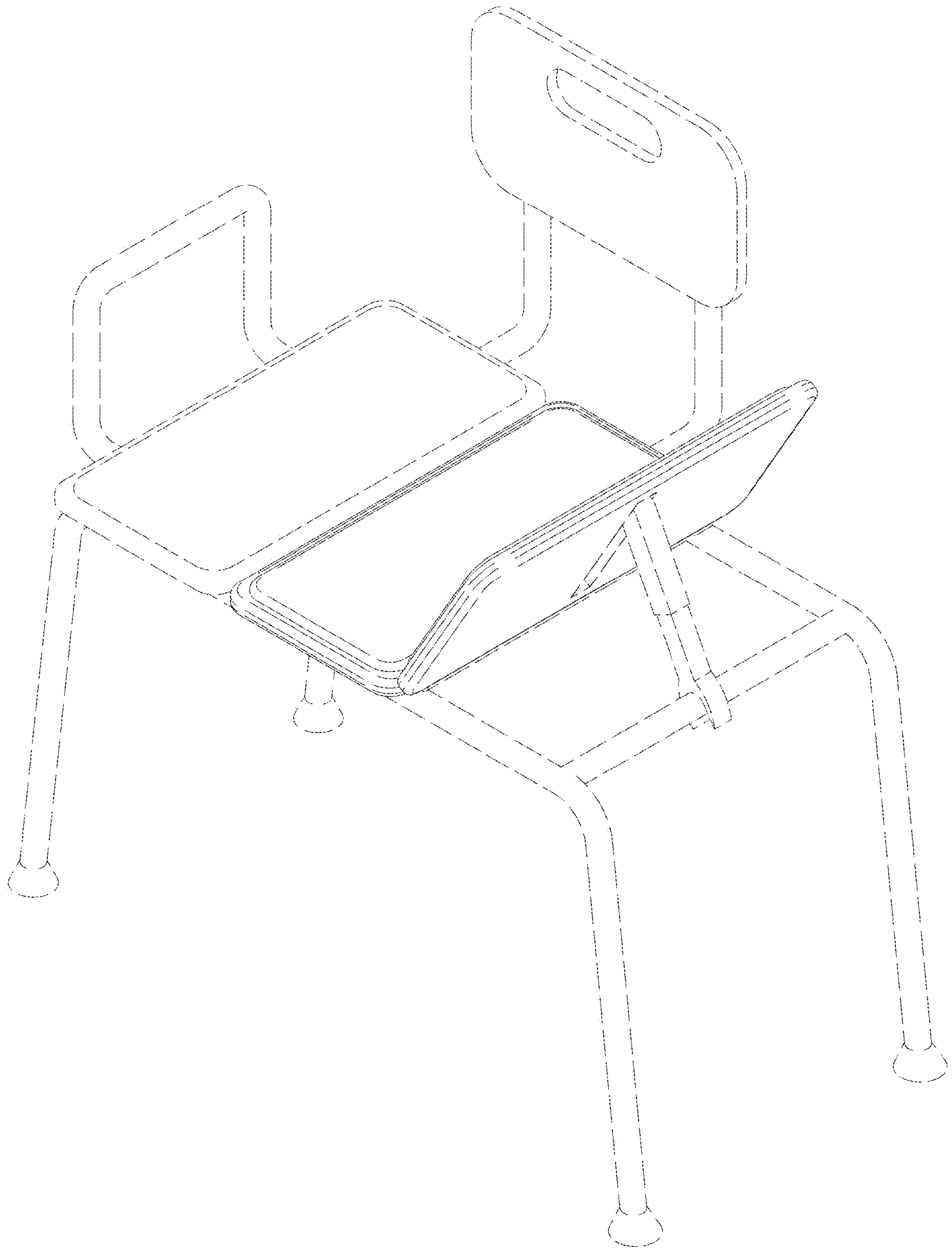


FIG. 1

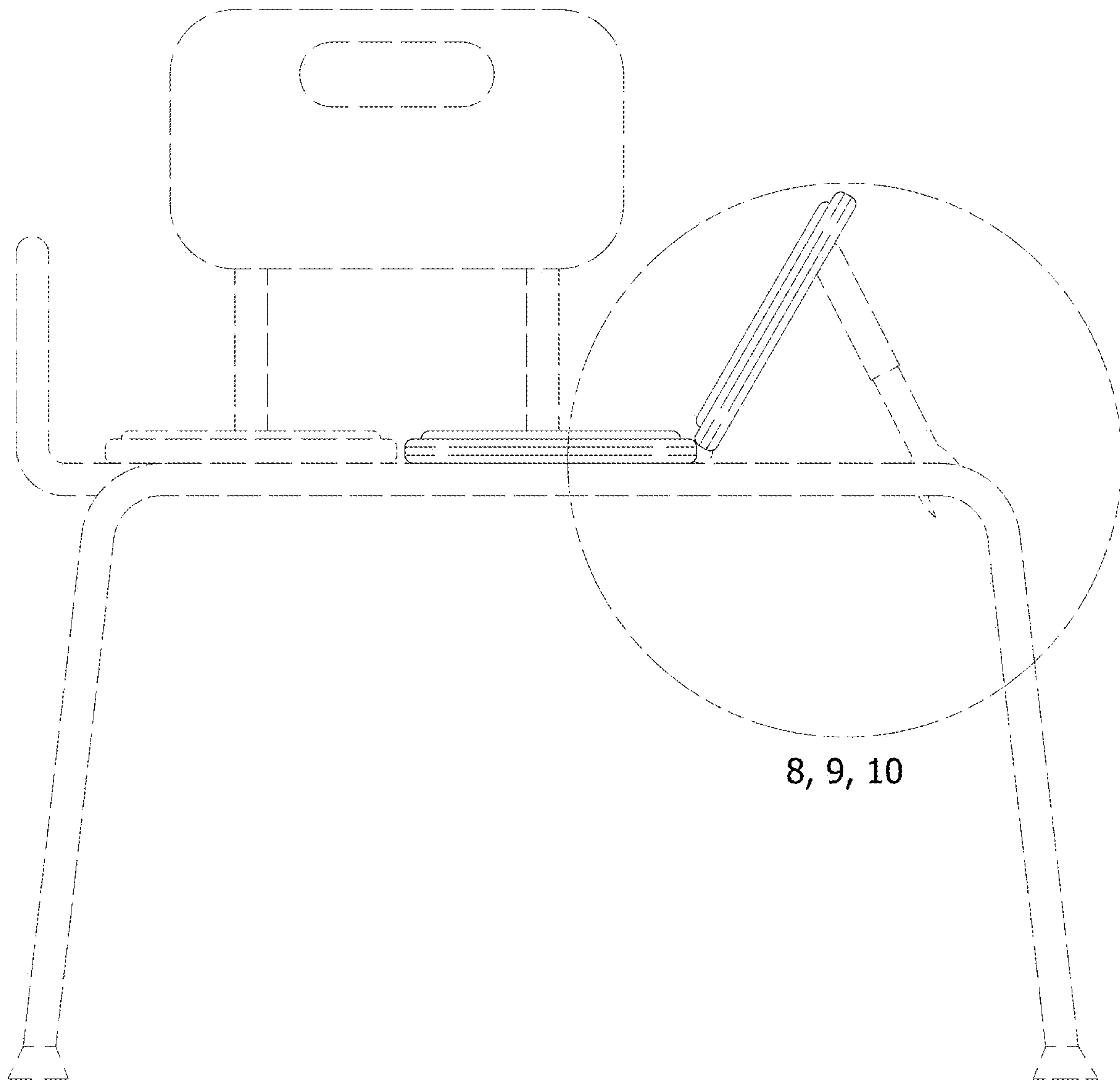


FIG. 2

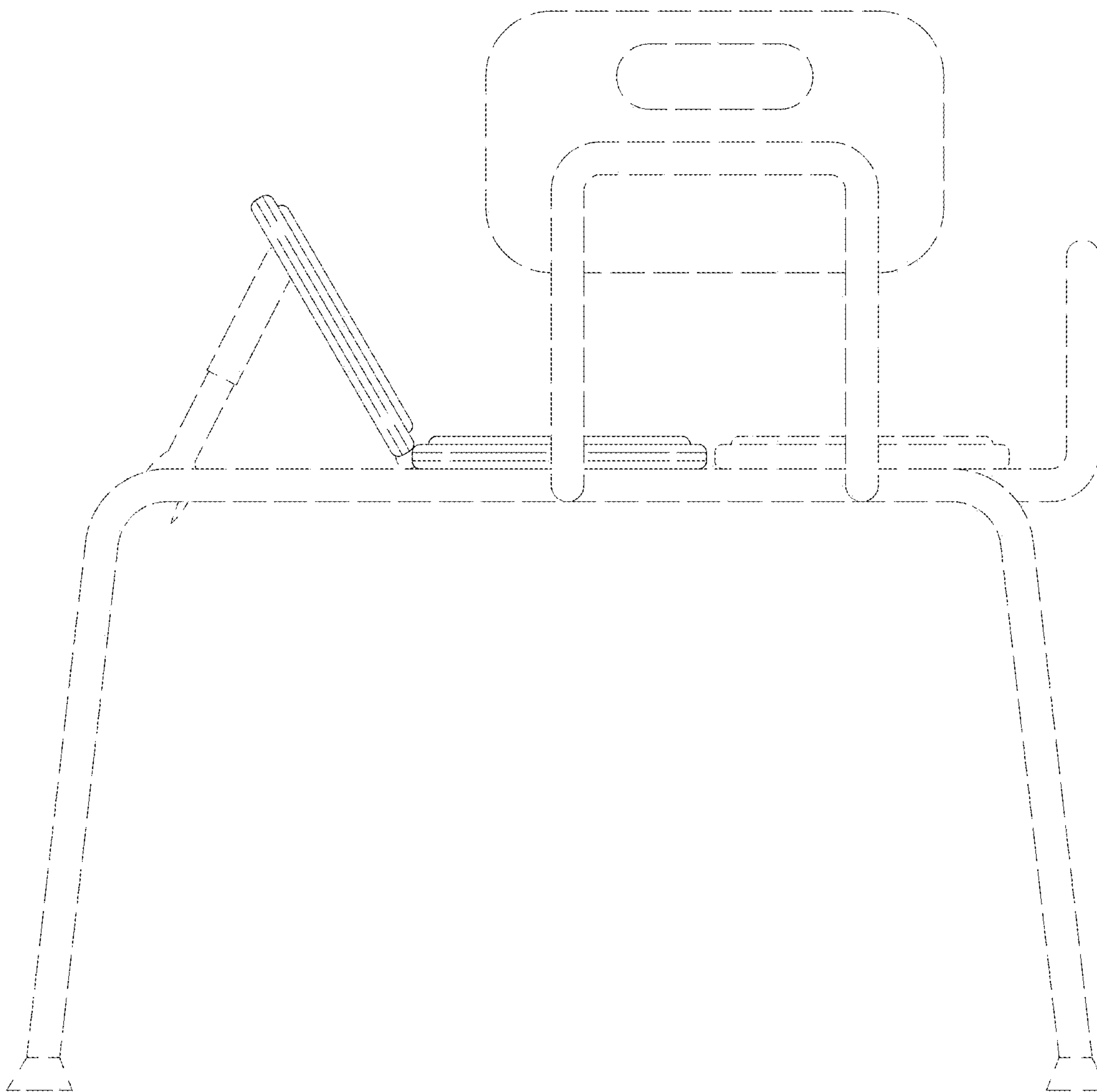


FIG. 3

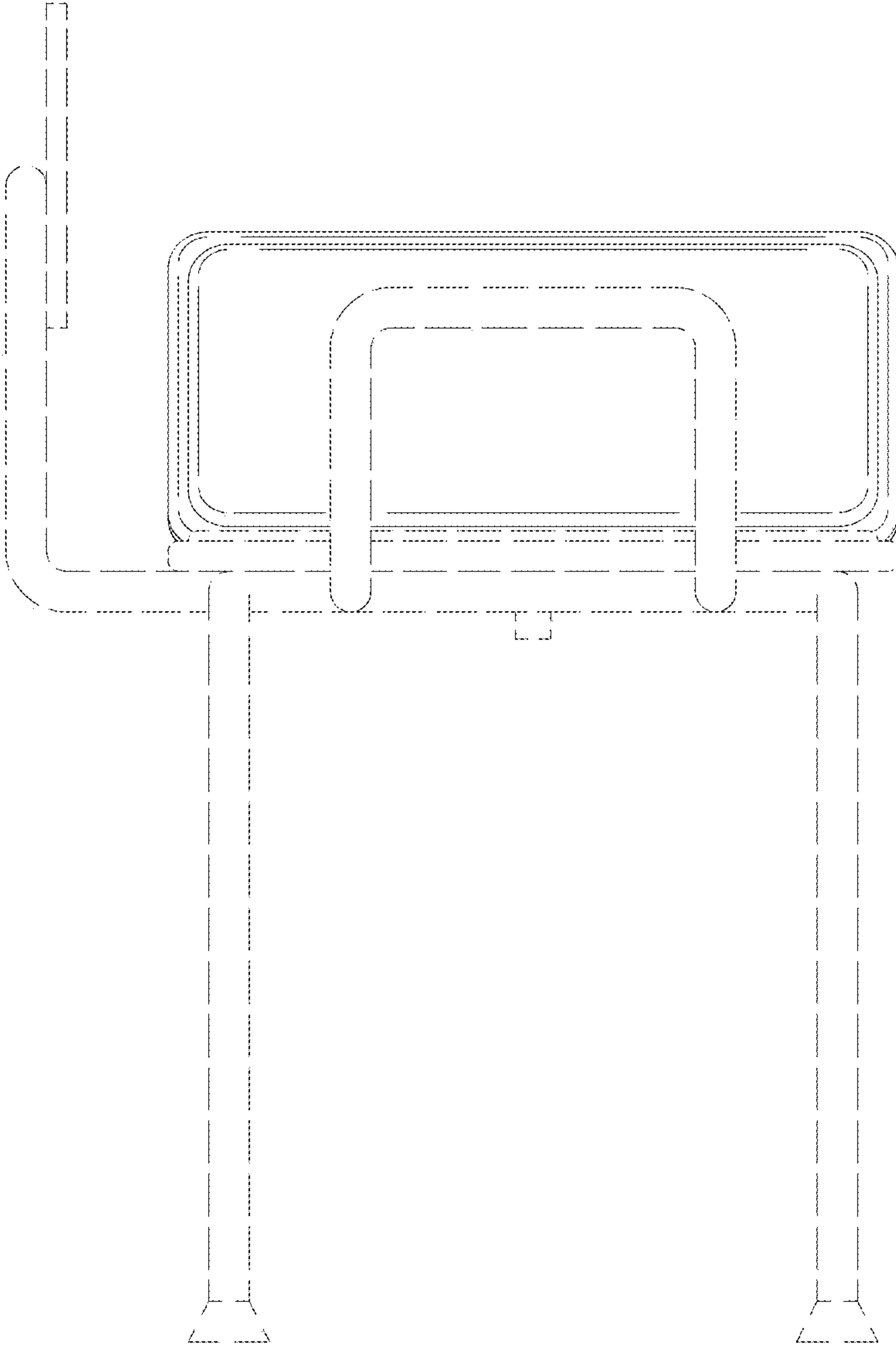


FIG. 4

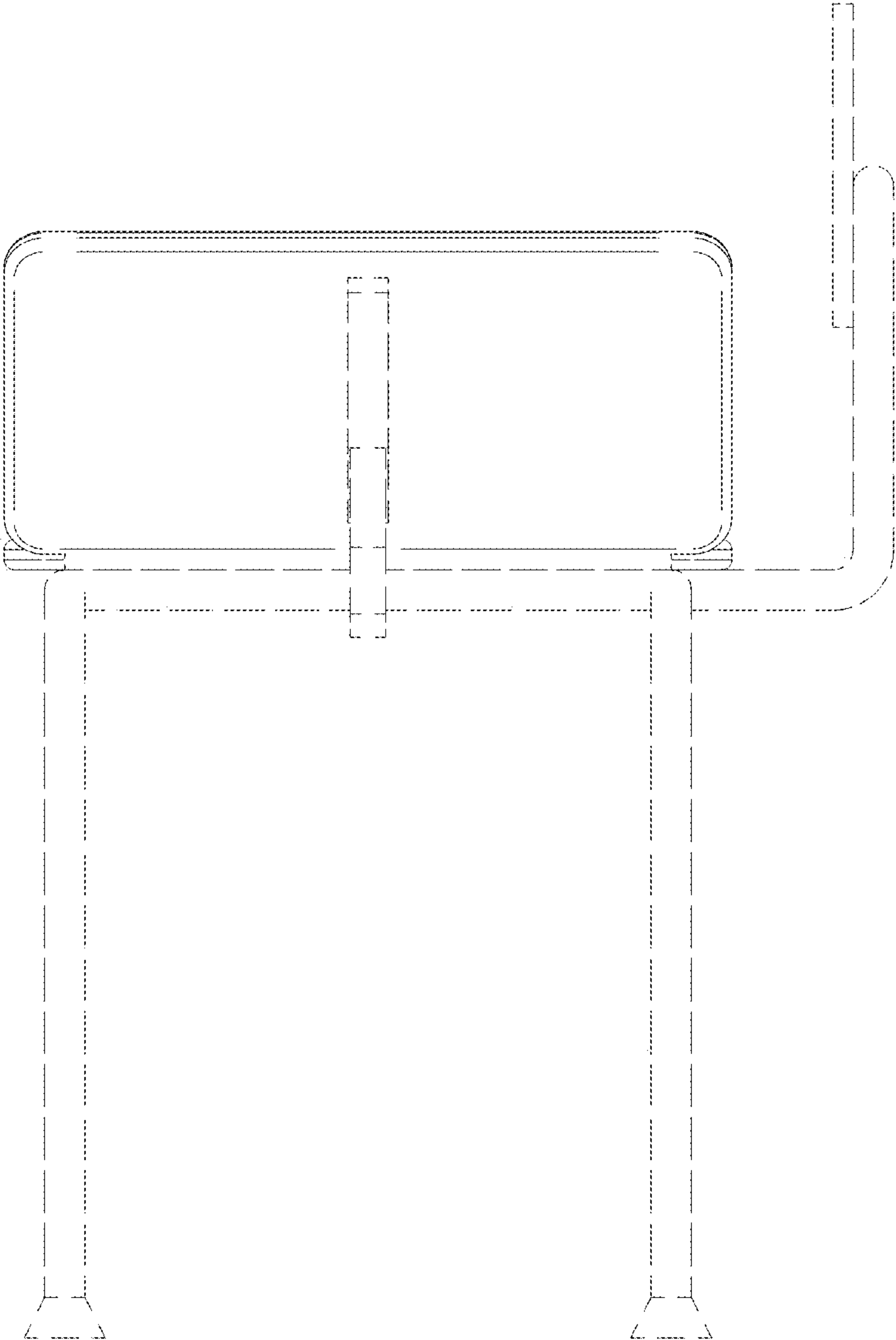


FIG. 5

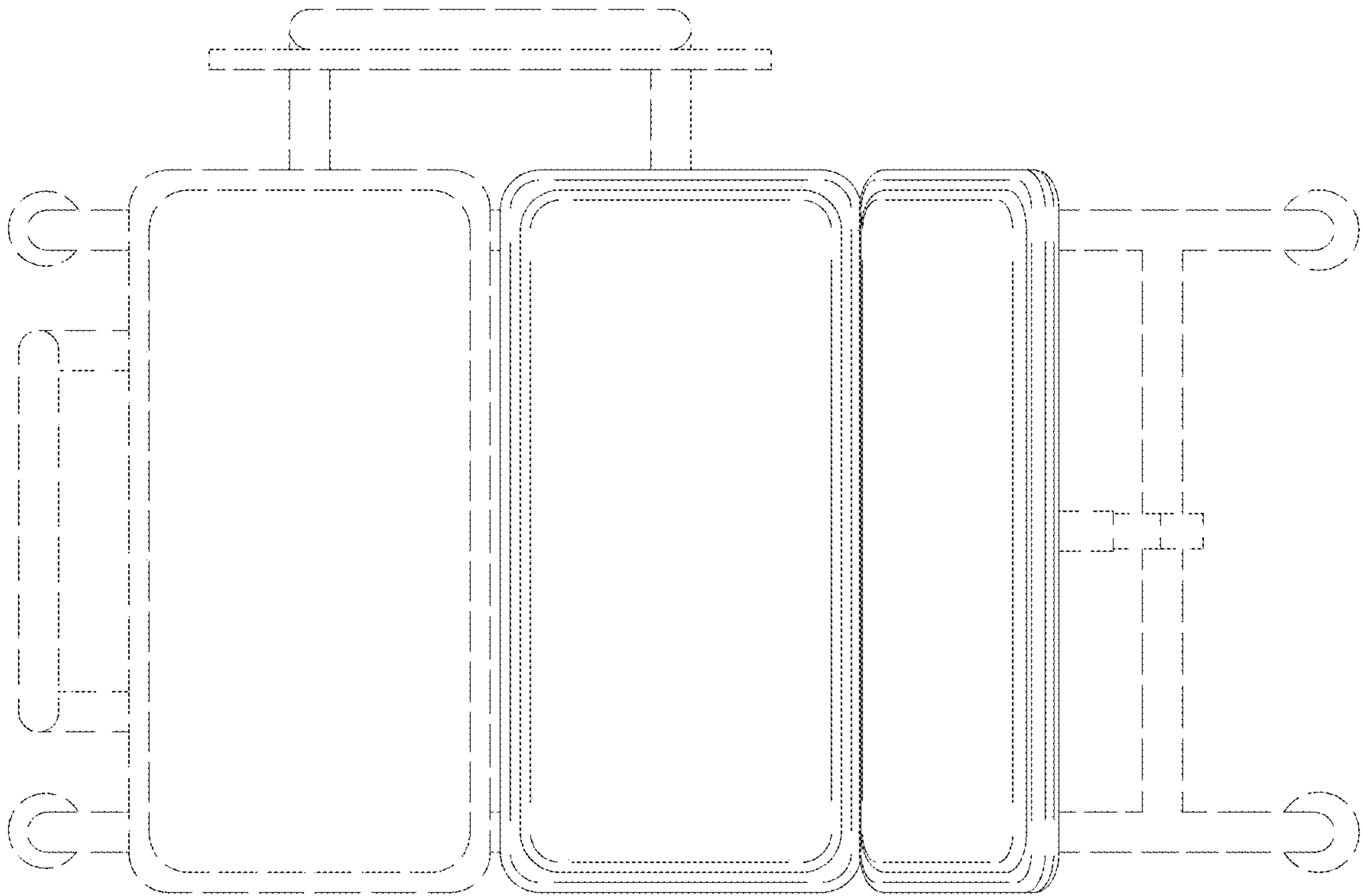


FIG. 6

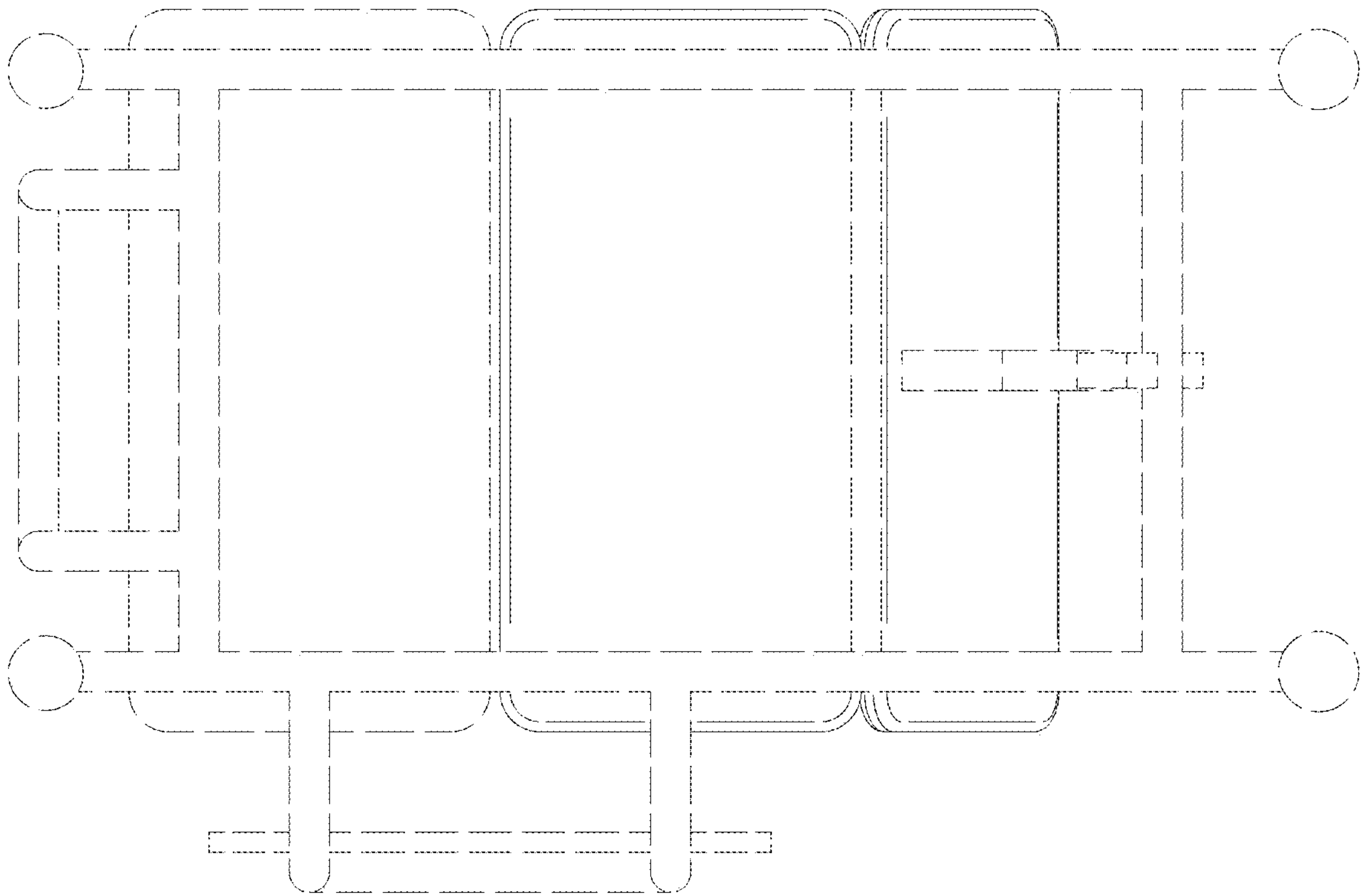


FIG. 7

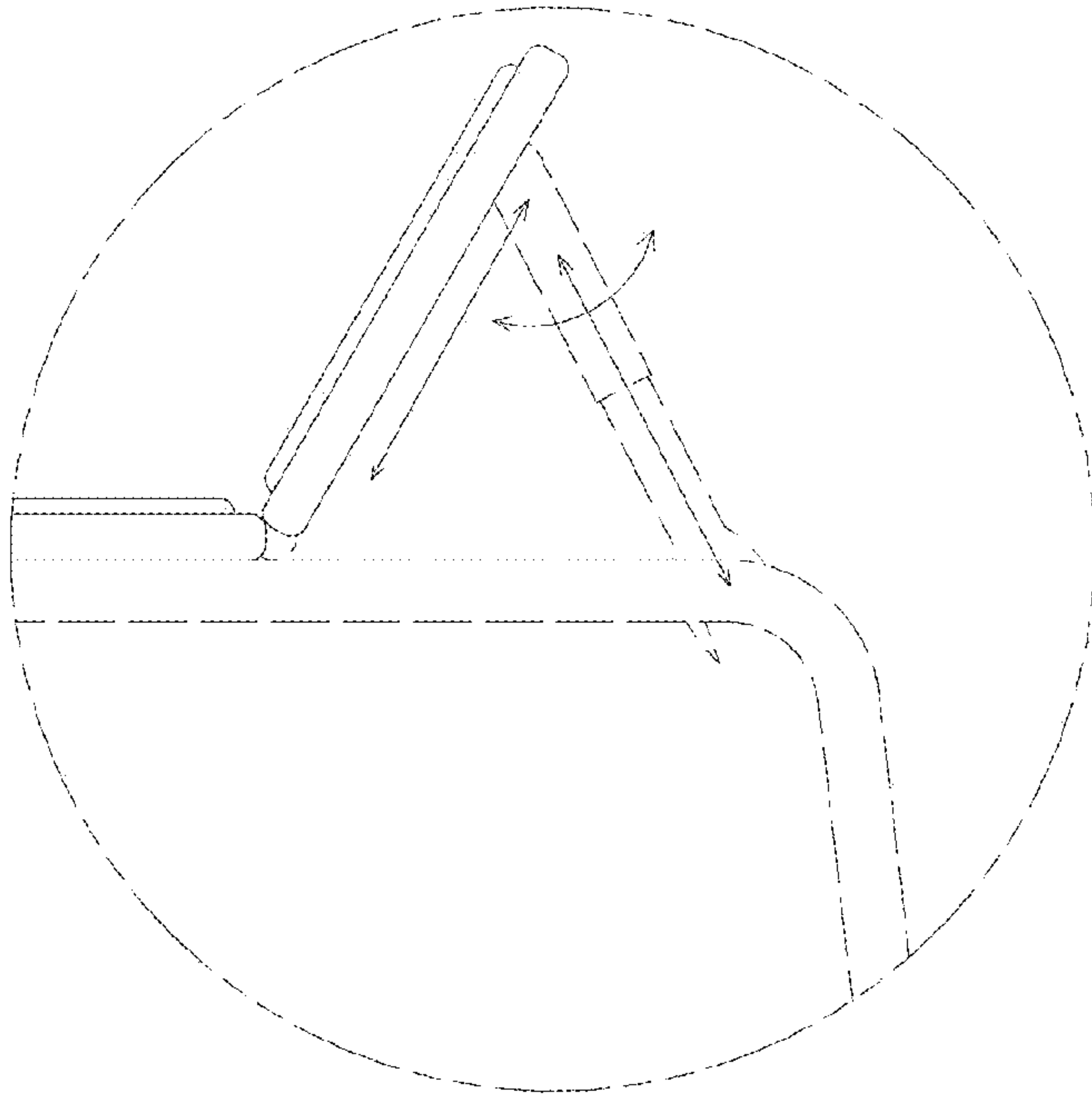


FIG. 8

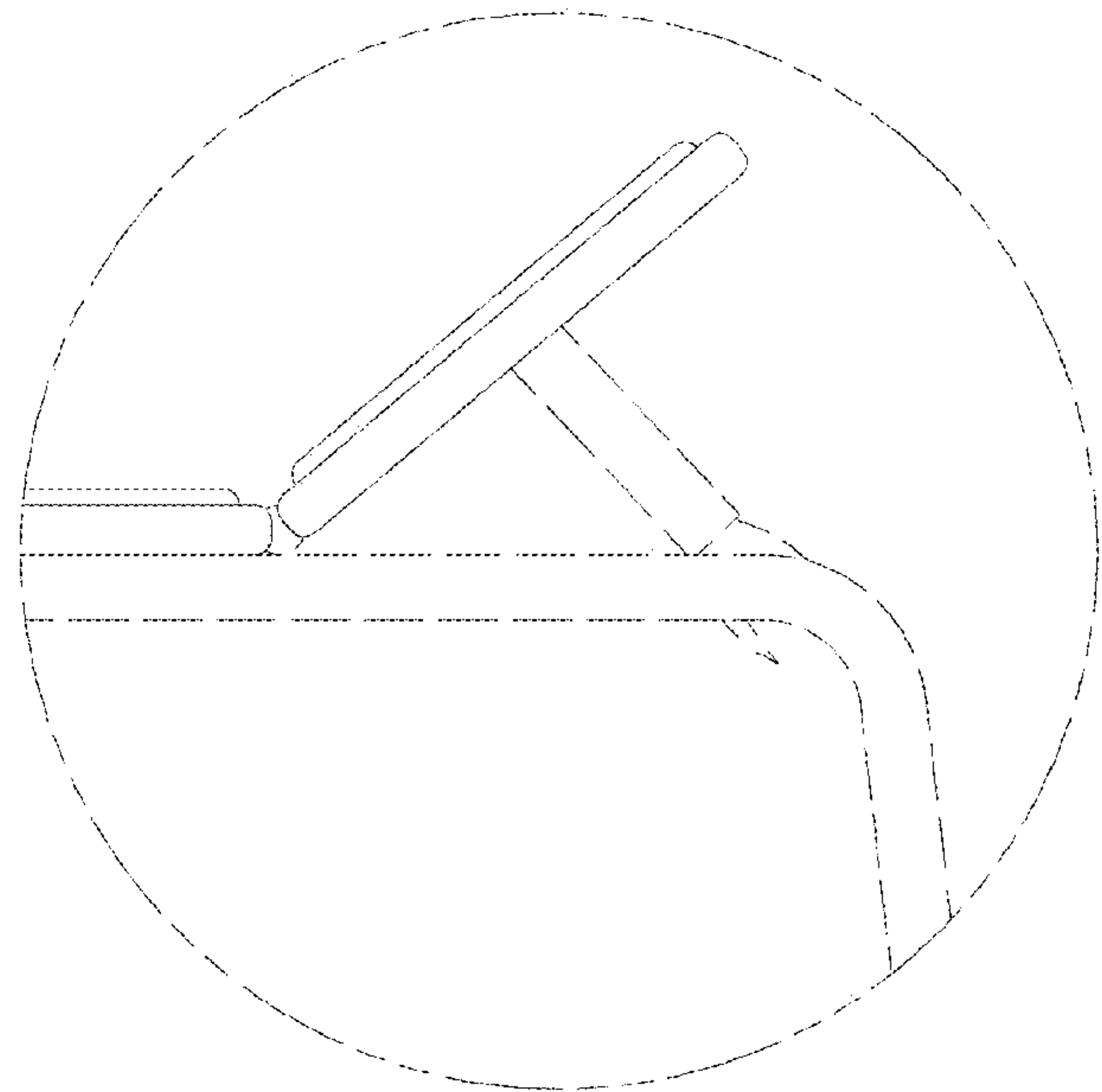


FIG. 9

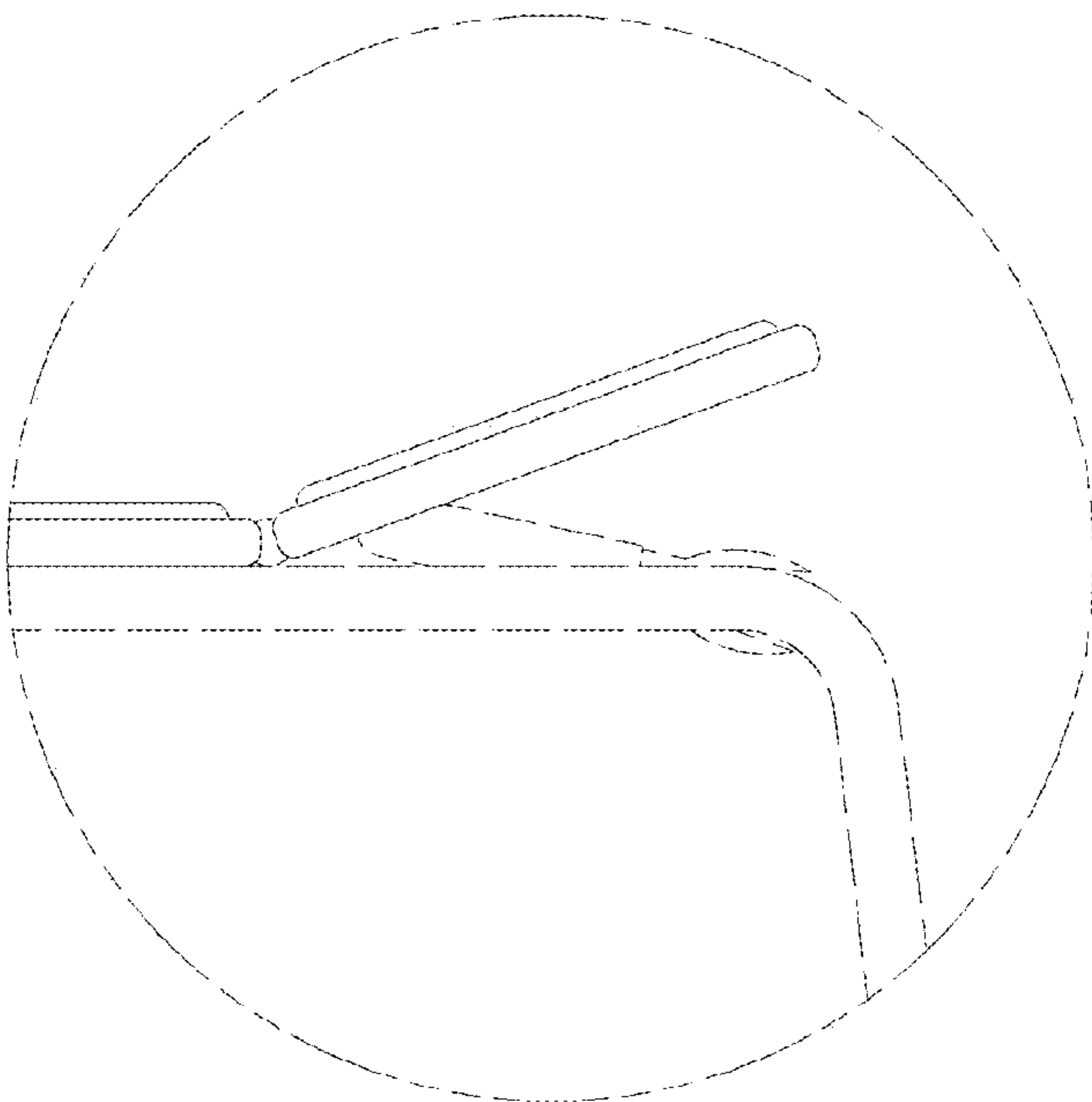


FIG. 10