



US00D952383S

(12) **United States Design Patent**
Slaughenhaupt

(10) **Patent No.:** **US D952,383 S**

(45) **Date of Patent:** **** May 24, 2022**

(54) **TABLE FRAME**

(71) Applicant: **VICTOR STANLEY, INC.**, Dunkirk,
MD (US)

(72) Inventor: **Bryan Slaughenhaupt**, Deale, MD
(US)

(73) Assignee: **VICTOR STANLEY, INC.**, Dunkirk,
MD (US)

(**) Term: **15 Years**

(21) Appl. No.: **29/698,794**

(22) Filed: **Jul. 19, 2019**

(51) **LOC (13) Cl.** **06-06**

(52) **U.S. Cl.**
USPC **D6/708.16**

(58) **Field of Classification Search**
USPC D6/349, 641, 656, 656.13, 685, 691,
D6/691.1, 691.6, 708, 708.16
CPC A47B 13/02; A47B 13/06; A47B 37/00
See application file for complete search history.

(56) **References Cited**

U.S. PATENT DOCUMENTS

D113,409 S *	2/1939	Vavrik	D6/691.6
D166,991 S *	6/1952	Ovendale	D6/691.1
D168,167 S *	11/1952	Molla	D6/708.15
D169,933 S *	6/1953	Chapman	D6/691.6
D171,017 S *	12/1953	Wagner	D6/691.6
D172,594 S *	7/1954	Guichard	D6/681
2,707,664 A *	5/1955	MacMarsilius	A47B 3/083
			108/127
D177,195 S *	3/1956	Smith	D6/691.6
D179,868 S *	3/1957	Trautvetter	D6/708
2,796,268 A *	6/1957	Charles	A47B 3/0812
			403/94
D218,903 S *	10/1970	Chichester	D6/708
D282,799 S *	3/1986	Doezema	D6/708
D376,712 S *	12/1996	Mezger	D6/656

D431,398 S *	10/2000	Luong	D6/656
6,161,808 A *	12/2000	East	A47B 37/00
			211/189
6,865,985 B2 *	3/2005	Zheng	A47B 3/0818
			100/127
D523,650 S *	6/2006	Skalka	D6/349

(Continued)

OTHER PUBLICATIONS

“Victor Stanley—Ella Table.” Found online Oct. 25, 2021 at www.victorstanley.com. Page archived Sep. 21, 2020. Retrieved from URL: <https://web.archive.org/web/20200921054132/https://victorstanley.com/product/ella-table/> (Year: 2020).*

(Continued)

Primary Examiner — Mary Ann Calabrese
Assistant Examiner — Katelin G Kloberg
(74) *Attorney, Agent, or Firm* — Westerman, Hattori,
Daniels & Adrian, LLP

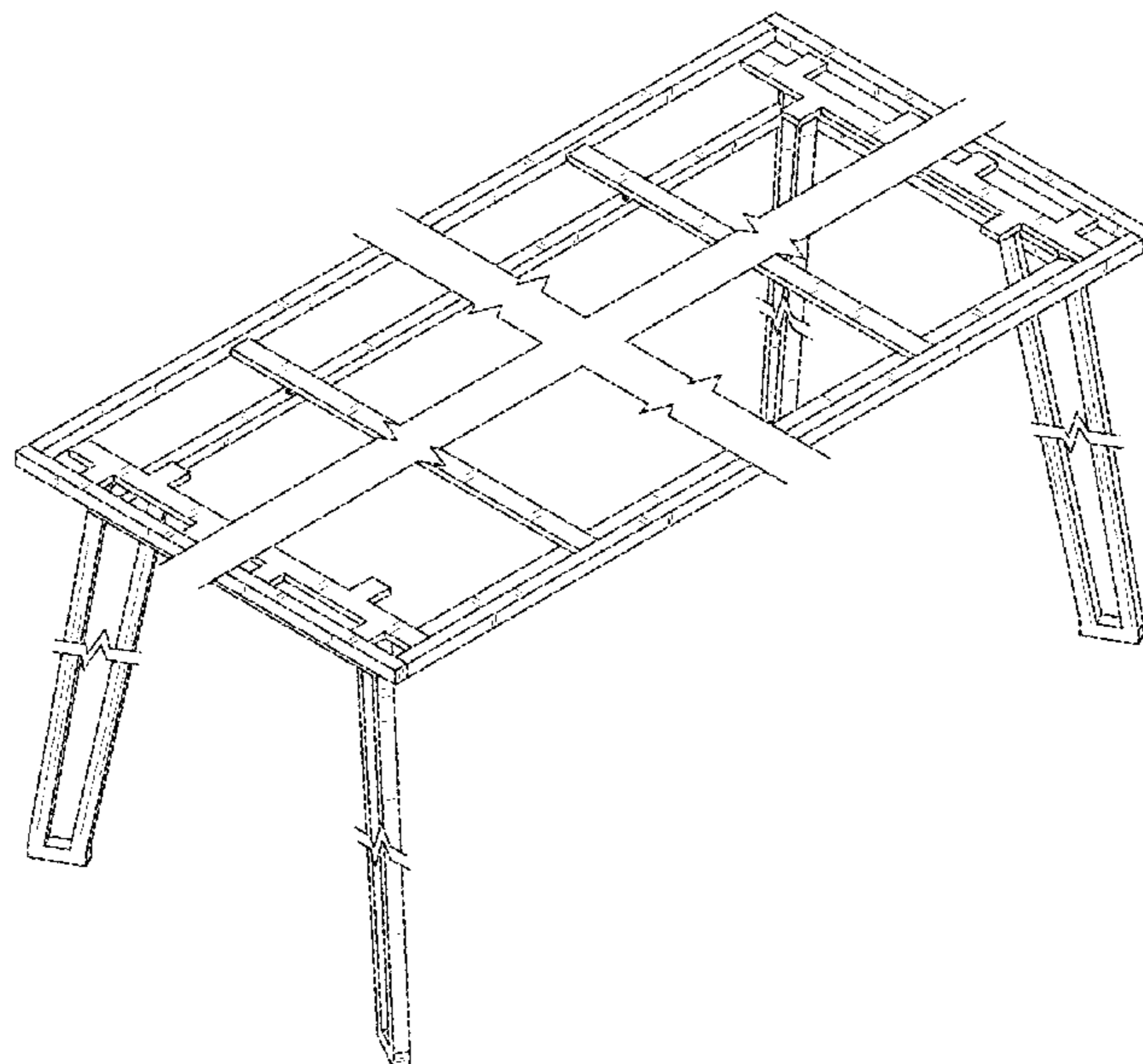
(57) **CLAIM**

The ornamental design for a table frame, as shown and described.

DESCRIPTION

FIG. 1 is a top perspective view of a table frame showing my new design;
FIG. 2 is a bottom perspective view thereof;
FIG. 3 is a side elevational view thereof, the opposite side elevational view being a mirror image thereof;
FIG. 4 is a front elevational hereof, the rear elevational view being a mirror image thereof;
FIG. 5 is a top plan view thereof; and,
FIG. 6 is a bottom plan view thereof.
The claimed design is shown with symbolic breaks in its length, width, and height. Any portion of the article between the break lines forms no part of the claimed design.

1 Claim, 6 Drawing Sheets



(56)

References Cited

U.S. PATENT DOCUMENTS

D536,184 S * 2/2007 Skalka D6/349
 D581,173 S * 11/2008 Skalka D6/337
 D581,188 S * 11/2008 Skalka D6/691.1
 D652,654 S * 1/2012 Lin D6/691.1
 D732,852 S * 6/2015 Park D6/656
 D772,621 S * 11/2016 Levy D6/691
 D775,876 S * 1/2017 Gaschy D6/691
 D783,329 S * 4/2017 Merritt D6/708
 D786,591 S * 5/2017 Grabowski D6/691
 D786,592 S * 5/2017 Bettin D6/691.7
 D792,134 S * 7/2017 Bougay D6/691
 D797,478 S * 9/2017 Merritt D6/691
 D801,092 S * 10/2017 Merritt D6/691
 D851,432 S * 6/2019 Salto D6/691
 D856,049 S * 8/2019 Tham D6/691.1
 D911,755 S * 3/2021 Young D6/691
 D912,449 S * 3/2021 Li D6/691.6
 D923,375 S * 6/2021 Davis D6/691.1
 11,089,868 B1 * 8/2021 Livingston, Jr. B25H 1/10

OTHER PUBLICATIONS

“Summer DIY Inspiration—5 Garden Tables with Hairpin Legs.” Found online Oct. 25, 2021 at www.thehairpinlegcompany.co.uk. Page dated May 27, 2018. Retrieved from URL: <https://www.thehairpinlegcompany.co.uk/blogs/blog/summer-diy-garden-tables-with-hairpin-legs> (Year: 2018).*

“Rectangular Rustic Wood Metal Coffee Table.” Found online Oct. 21, 2021 at www.amazon.com. Product first available Sep. 24, 2021. Retrieved from URL: <https://tinyurl.com/j2zjwscs> (Year: 2021).*

“Industrial Metal Tapered Coffee Table Leg.” Found online Oct. 25, 2021 at www.tablelegs.com. Product reviewed Jun. 30, 2017. Retrieved from URL: <https://www.tablelegs.com/industrial-metal-tapered-coffee-table-leg-16/> (Year: 2017).*

“Tables,” https://www.victorstanley.com/product-category/product-type/tables/?view_per=all [online], Accessed on Jul. 26, 2019, Victor Stanley, Inc. (8 pages).

* cited by examiner

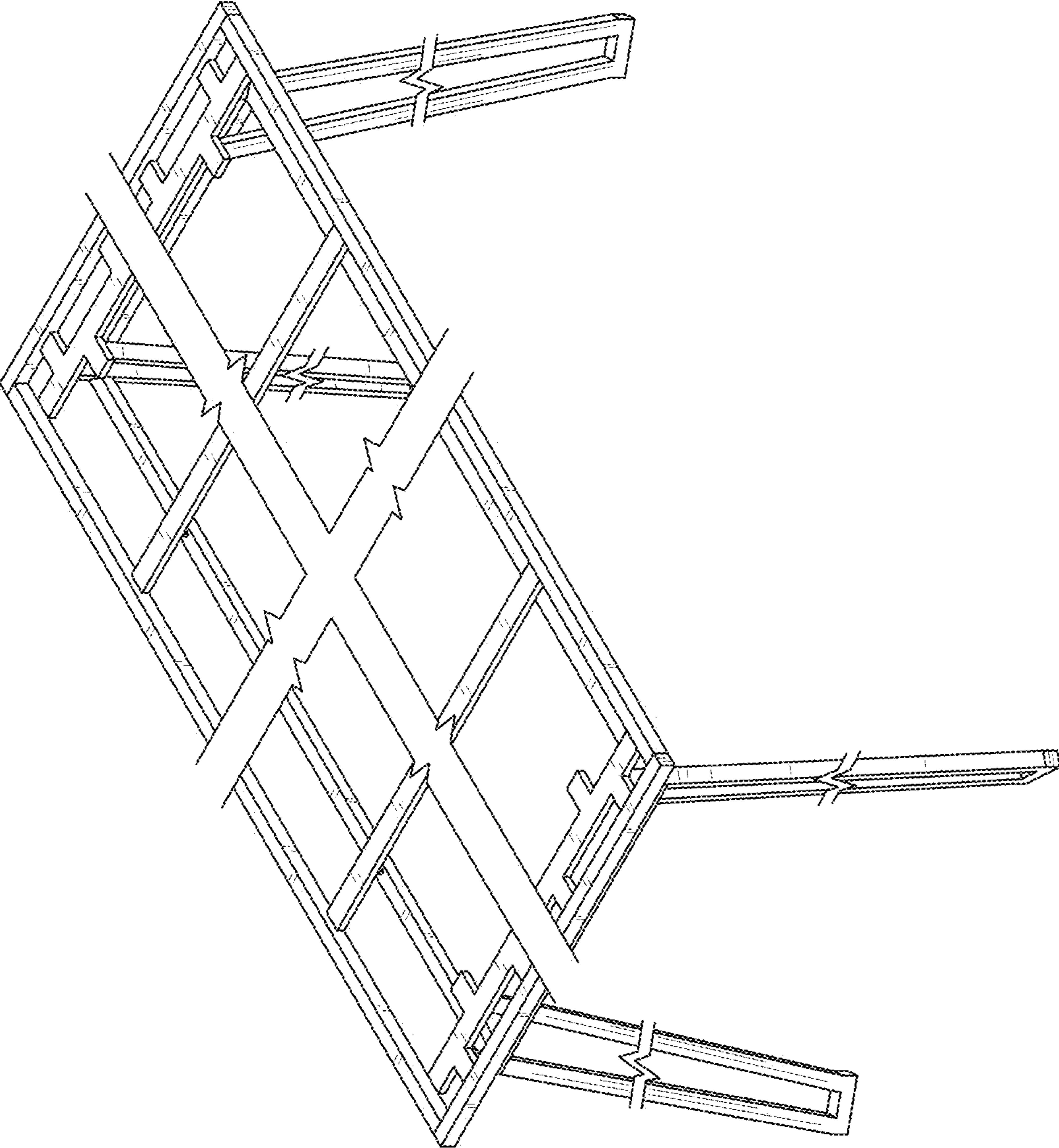


FIG. 1

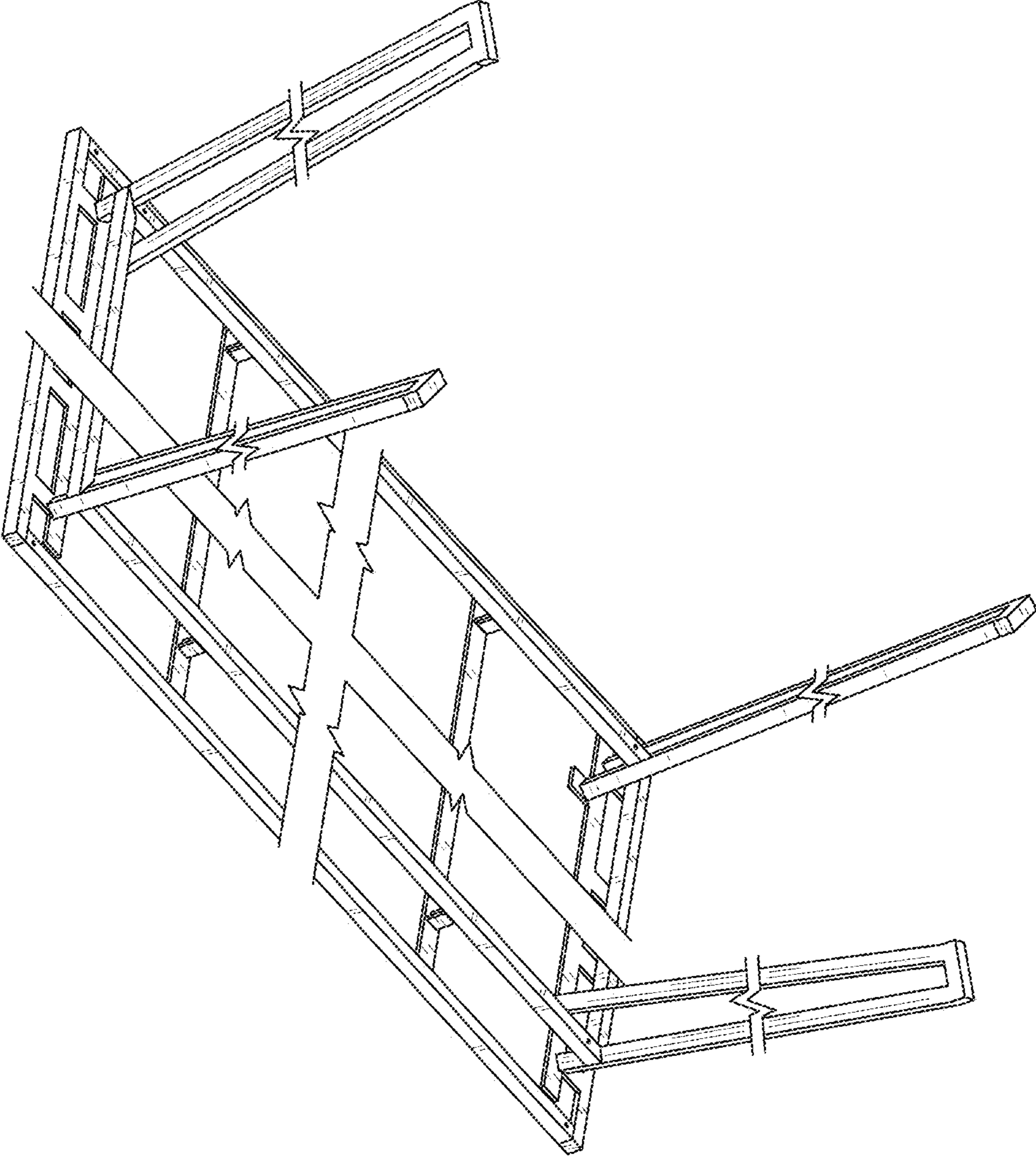


FIG. 2

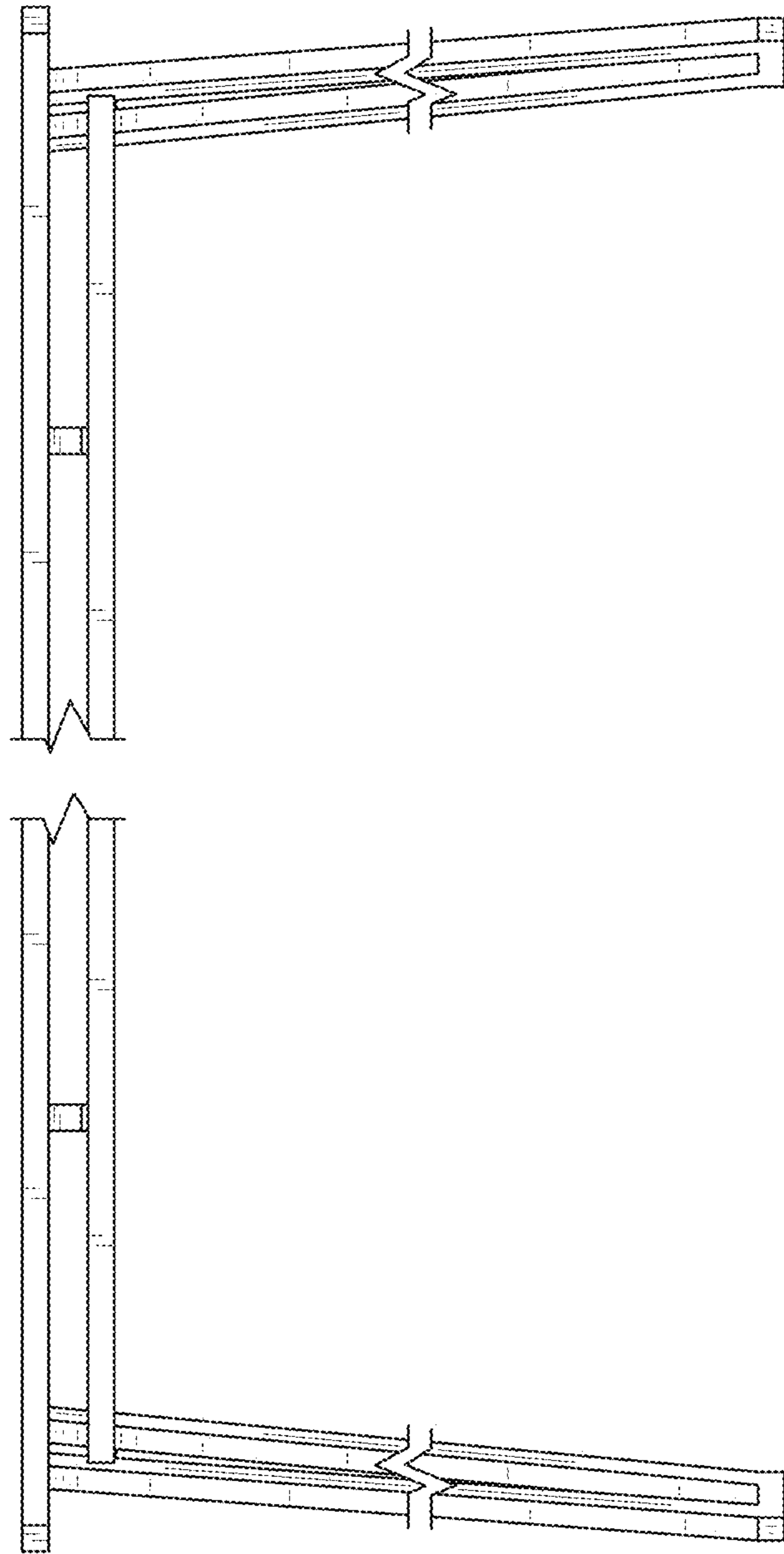


FIG. 3

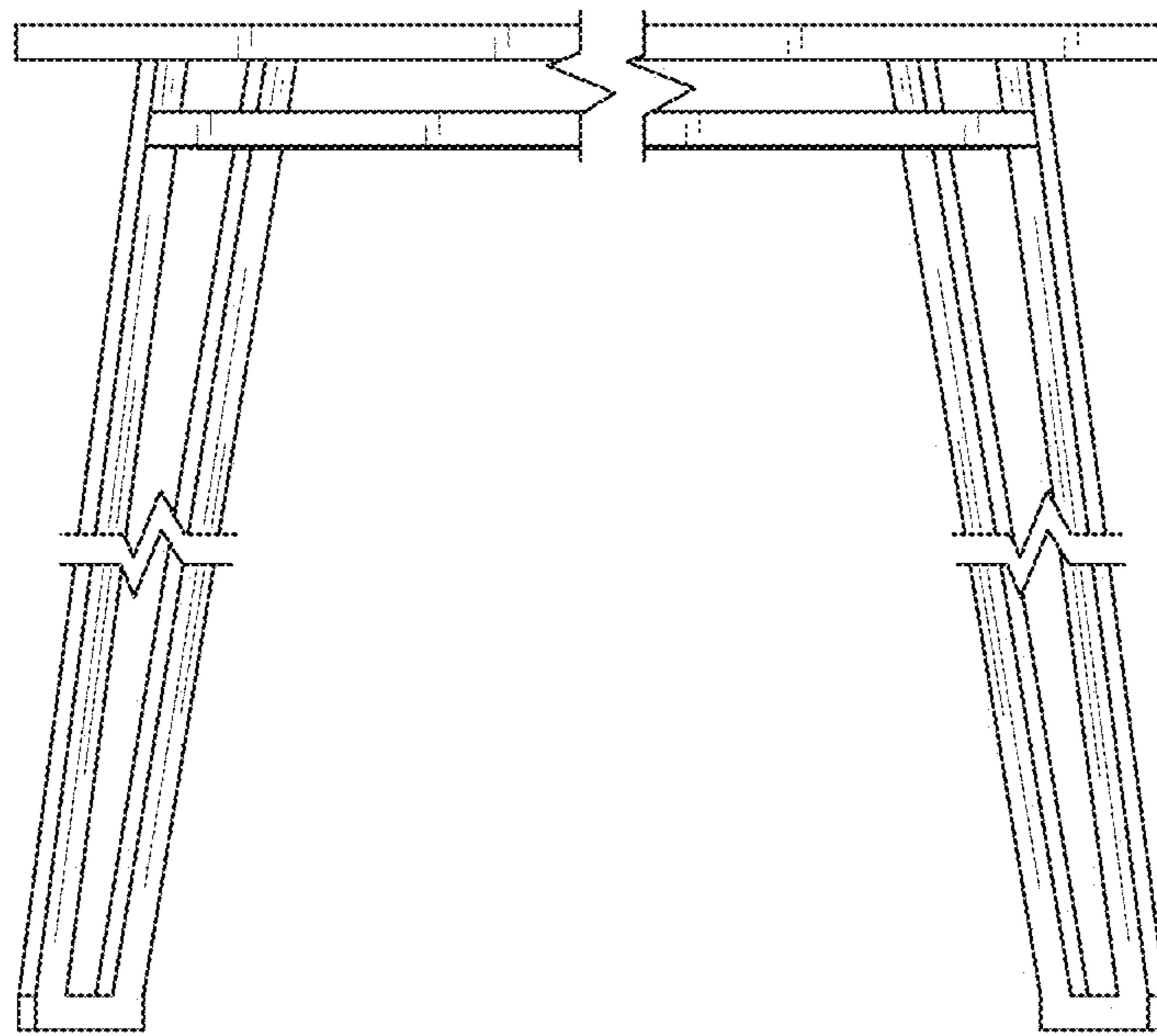


FIG. 4

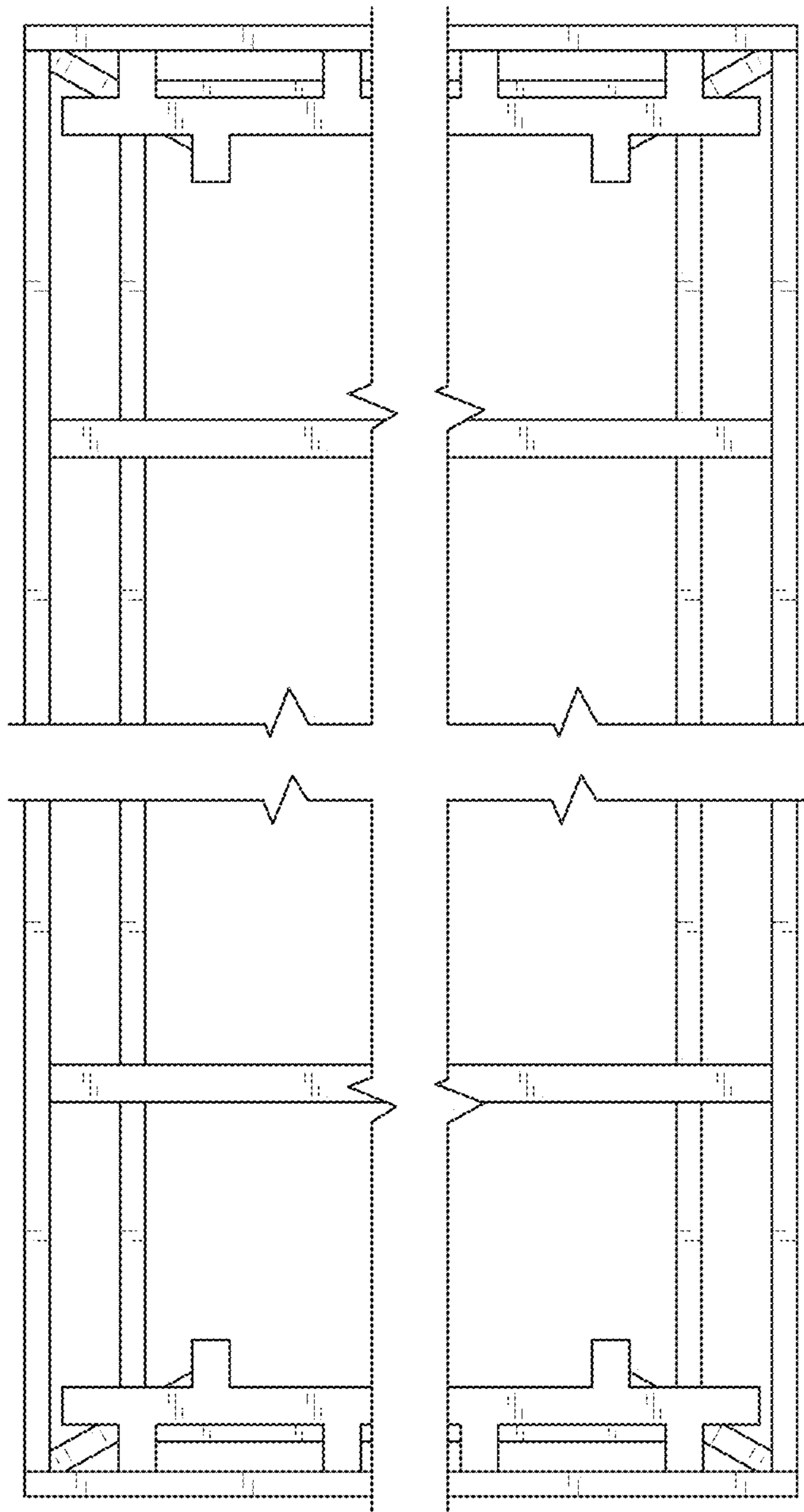


FIG. 5

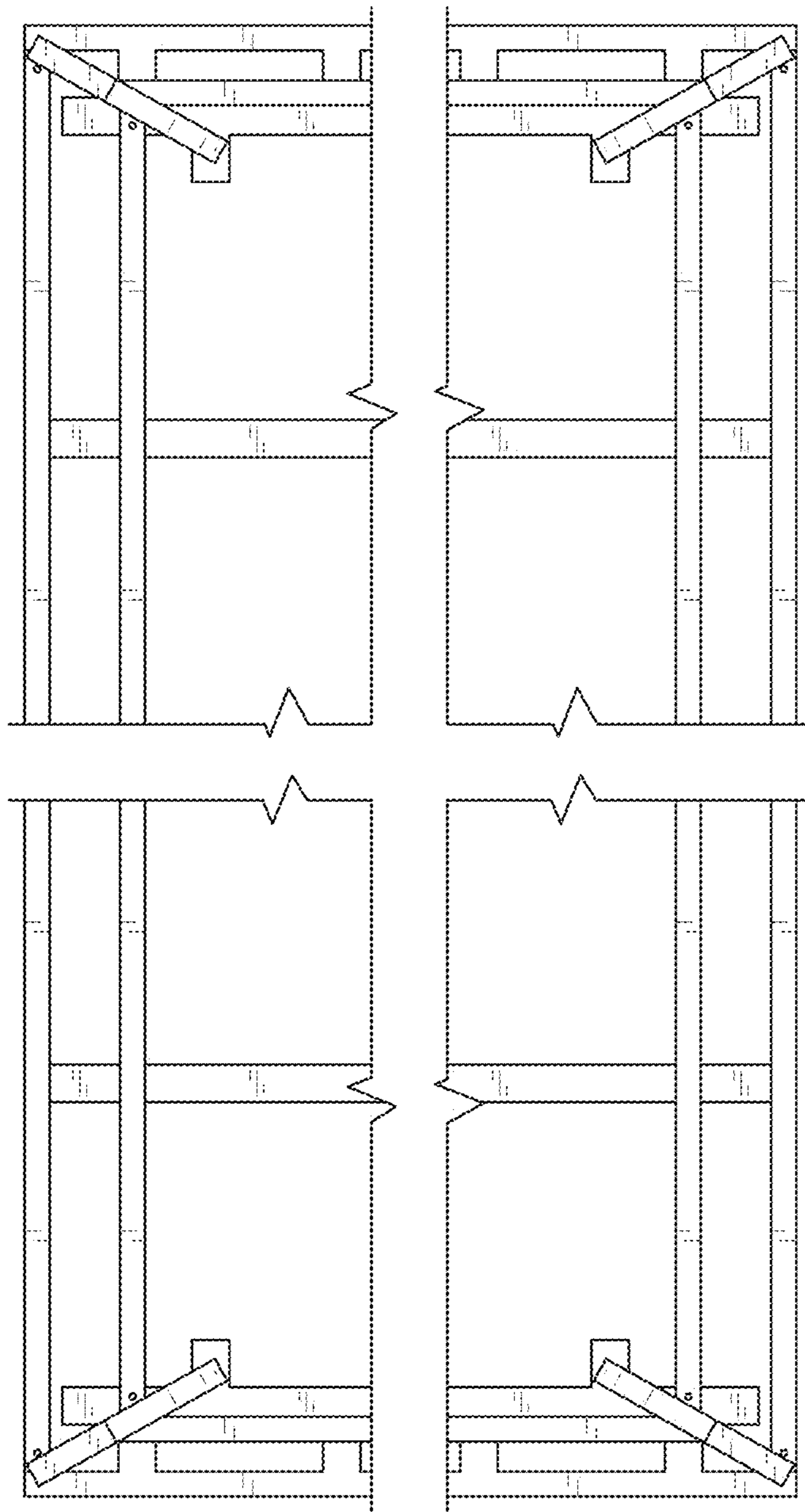


FIG. 6