



US00D952382S

(12) **United States Design Patent** (10) **Patent No.:** **US D952,382 S**
Styrc (45) **Date of Patent:** **** May 24, 2022**

(54) **TABLE**
(71) Applicant: **2724889 ONTARIO INC.**, Oakville (CA)

2,016,702 A 10/1935 Harry
2,153,547 A 4/1939 Charlop
D141,423 S 5/1945 Lewis
2,477,163 A 7/1949 Barnett
(Continued)

(72) Inventor: **Jacek Styrc**, Oakville (CA)
(73) Assignee: **2724889 ONTARIO INC.**, Oakville (CA)

FOREIGN PATENT DOCUMENTS

CA 3007687 A1 12/2018
CN 201542095 U 8/2010
(Continued)

(**) Term: **15 Years**

OTHER PUBLICATIONS

(21) Appl. No.: **29/723,139**

“Office Action for JP 2021-002875”.

(22) Filed: **Feb. 4, 2020**

(Continued)

(51) **LOC (13) Cl.** **06-06**

(52) **U.S. Cl.**
USPC **D6/707.22**; D6/553

Primary Examiner — Mary Ann Calabrese
(74) *Attorney, Agent, or Firm* — Bhole IP Law; Anil Bhole; Marc Lampert

(58) **Field of Classification Search**
USPC D6/553, 555, 642, 685, 686, 702–705, D6/705.2, 705.5, 707, 707.15, 707.18, D6/707.19, 707.23, 707.24, 707.22
CPC A47B 5/00; A47B 5/02; A47B 7/00; A47B 13/00; A47B 13/08; A47B 13/081; A47B 13/083; A47B 13/10; A47B 13/12; A47B 17/00; A47B 21/00; A47B 2200/0001
See application file for complete search history.

(57) **CLAIM**

The ornamental design for a table, as shown and described.

DESCRIPTION

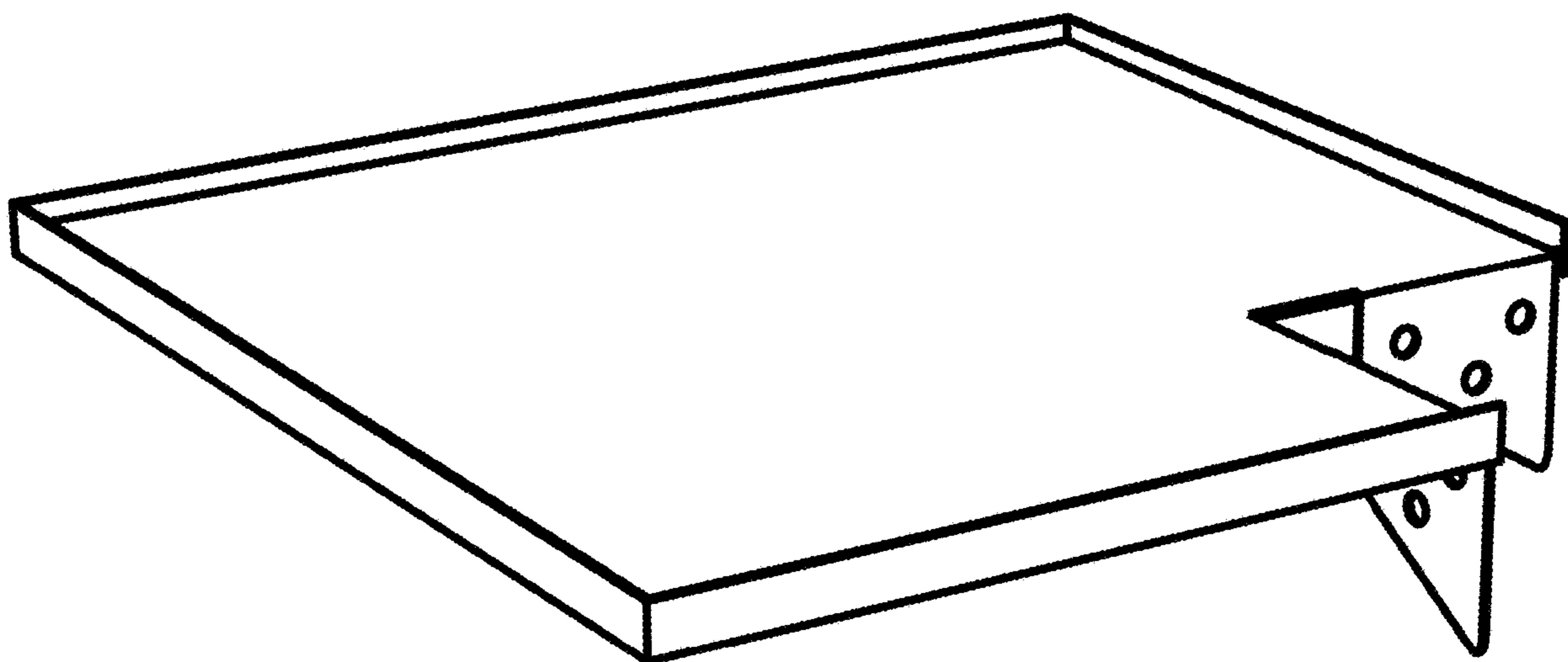
FIG. 1 is a front perspective view of a table according to our new design.
FIG. 2 is a top view of the design of FIG. 1.
FIG. 3 is a bottom view of the design of FIG. 1.
FIG. 4 is a front view of the design of FIG. 1.
FIG. 5 is a rear view of the design of FIG. 1.
FIG. 6 is a left side view of the design of FIG. 1.
FIG. 7 is a right side view of the design of FIG. 1.
FIG. 8 is a left side orthogonal view of the design of FIG. 1.
FIG. 9 is a front orthogonal view of the design of FIG. 1.
FIG. 10 is a rear orthogonal view of the design of FIG. 1 from the opposite side to FIG. 8; and,
FIG. 11 is a rear orthogonal view of the design of FIG. 1 from the opposite side to FIG. 9.

(56) **References Cited**

U.S. PATENT DOCUMENTS

451,596 A 5/1891 Longenecker
490,122 A 1/1893 Magargal
922,215 A 5/1909 Tuteur
949,394 A 2/1910 Daly
1,097,934 A 5/1914 Price
1,201,159 A 10/1916 Dettmer
1,214,738 A 2/1917 Wolf
1,441,559 A 1/1923 Jacob
1,816,049 A 7/1931 Larner
1,818,418 A 8/1931 Millard
1,848,085 A 3/1932 Eisenschmidt

1 Claim, 8 Drawing Sheets



(56)

References Cited

U.S. PATENT DOCUMENTS

D822,454 S 7/2018 Kanter
 D824,399 S 7/2018 Wengreen
 10,024,046 B2 7/2018 Higginbotham
 10,030,408 B2 7/2018 Crandall et al.
 D825,967 S 8/2018 Tolokan et al.
 D826,695 S 8/2018 Bolster
 D827,414 S 9/2018 MacDonald et al.
 D832,858 S 11/2018 Wengreen
 D834,396 S 11/2018 MacDonald
 D835,973 S 12/2018 Bertato
 10,202,766 B1 2/2019 Fox
 D842,684 S 3/2019 House
 D843,823 S 3/2019 Bouchard
 D843,932 S 3/2019 Sinai et al.
 D845,113 S 4/2019 Salter
 D845,116 S 4/2019 Wokutch
 D845,310 S 4/2019 Wengreen
 D845,959 S 4/2019 Wengreen
 D846,369 S 4/2019 Ni
 D846,370 S 4/2019 Ni
 D852,788 S 7/2019 Kanter
 D854,191 S 7/2019 Sorensen
 D854,710 S 7/2019 Hendry
 D856,282 S 8/2019 Pillsbury
 D856,781 S 8/2019 Hendry et al.
 D859,958 S 9/2019 Ni
 10,422,140 B2 9/2019 Mitchell
 D866,465 S 11/2019 Harrison
 10,480,177 B2 11/2019 Siddhartha et al.
 D870,544 S 12/2019 Lai et al.
 10,518,596 B2 12/2019 Aitoh et al.
 10,597,899 B2 3/2020 Crandall et al.
 D887,025 S 6/2020 Styrc et al.
 10,697,198 B2 6/2020 Crandall et al.
 10,760,298 B2 9/2020 Crandall et al.
 D900,199 S 10/2020 Rogers
 D901,929 S 11/2020 McCune et al.
 D905,067 S 12/2020 Wengreen
 D905,068 S 12/2020 Wengreen
 D905,069 S 12/2020 Wengreen
 D912,496 S 3/2021 Fox
 D915,186 S 4/2021 Barker
 10,975,584 B2 4/2021 Brownmiller et al.
 D918,010 S 5/2021 Lynn et al.
 D920,728 S 6/2021 Scott
 D929,611 S 8/2021 Styrc et al.
 11,098,476 B2 8/2021 Jin et al.
 2003/0101677 A1 6/2003 Hewett
 2004/0170471 A1 9/2004 Wadsworth et al.
 2004/0182430 A1 9/2004 Seo
 2005/0098772 A1 5/2005 Fuoco
 2006/0029462 A1 2/2006 Patberg
 2006/0185706 A1 8/2006 Slade
 2006/0193687 A1 8/2006 Ghosh
 2006/0230989 A1* 10/2006 Haney A47B 13/08
 108/57.25
 2006/0260259 A1 11/2006 Morse
 2007/0209312 A1 9/2007 Keys et al.
 2007/0209314 A1 9/2007 Vaughn
 2007/0261356 A1 11/2007 Vaughn
 2007/0266647 A1 11/2007 Pedersen et al.
 2008/0110583 A1 5/2008 Lallemand
 2008/0178551 A1 7/2008 Porter
 2008/0229678 A1 9/2008 Goddard
 2011/0179741 A1 7/2011 Yen
 2011/0258941 A1 10/2011 Dalo
 2011/0308063 A1 12/2011 Feeleus
 2013/0036702 A1 2/2013 Paceti et al.
 2013/0108394 A1 5/2013 Zhu
 2013/0232758 A1 8/2013 Pond
 2013/0247499 A1 9/2013 Zimmerman et al.
 2013/0276382 A1 10/2013 Workman
 2013/0284074 A1* 10/2013 Satterfield A47B 5/00
 108/63
 2013/0306808 A1 11/2013 Huang

2014/0082921 A1 3/2014 Adams
 2015/0152630 A1 6/2015 Winter
 2015/0328977 A1 11/2015 Lueschen et al.
 2016/0168840 A1 6/2016 Monty et al.
 2016/0223002 A1* 8/2016 Muller F16B 5/0092
 2017/0089059 A1 3/2017 Farre Berga
 2017/0233996 A1 8/2017 Abernathy et al.
 2017/0314254 A1 11/2017 Houghton et al.
 2018/0135295 A1 5/2018 Bowron
 2018/0135296 A1 5/2018 Brekke
 2018/0230664 A1 8/2018 Dominguez
 2018/0238041 A1 8/2018 Styrc
 2019/0271146 A1 9/2019 Fox
 2019/0277022 A1 9/2019 Francis
 2020/0375366 A1 12/2020 Chen

FOREIGN PATENT DOCUMENTS

EP 2492408 A1 8/2012
 EP 3456990 A1 3/2019
 FR 2300863 A1 9/1976
 FR 2991304 A1 12/2013
 GB 422765 A 1/1935
 GB 910183 A 11/1962
 JP S48-032321 A 4/1973
 JP S58-061816 U 4/1983
 JP H9-268655 A 10/1997
 RU 73909 U1 6/2008
 WO 201656696 A1 4/2016
 WO 2016178637 A1 11/2016
 WO 2019048362 3/2019
 WO 2021094982 5/2021

OTHER PUBLICATIONS

“Office Action for JP 2021-002878”.
 “Russian Patent Office, Office Action dated Jul. 6, 2021 for application No. 2019128908”.
 Li, Hui, “First Notification of Office Action”, CN patent application 201880024165.9.
 International Search Report of the International Searching Authority for PCT/CA2018/050169, Canadian Intellectual Property Office, Lily Truong, Canada, Jun. 21, 2018.
 Office action for U.S. Appl. No. 15/815,973, United States Patent & Trademark Office, dated Aug. 15, 2018.
 Office action for U.S. Appl. No. 15/815,973, United States Patent & Trademark Office, dated Mar. 19, 2019.
 Office action for U.S. Appl. No. 16/485,272, United States Patent & Trademark Office, dated Dec. 12, 2019.
 Office action for U.S. Appl. No. 29/635,278, United States Patent & Trademark Office, dated Sep. 17, 2019.
 Office Action for U.S. Appl. No. 15/815,973, United States Patent and Trademark Office, Ford, Gisele D., dated Nov. 17, 2017.
 Written Opinion of the International Searching Authority for PCT/CA2018/050169, Canadian Intellectual Property Office, Lily Truong, Canada, dated Jun. 21, 2018.
 Office action for U.S. Appl. No. 29/635,278, United States Patent & Trademark Office, dated Feb. 14, 2020.
 Pergola CUBIC 3-way corner bracket for 7x7 cm post-beam <https://www.vinuovo.com/en/ pergola-cubic-way-corner-bracket-for-7x7-94058077.html#reviews> Aug. 1, 2019 (Year: 2019).
 “Office Action for JP 2021-002873”, dated Jun. 1, 2021, Japanese Patent Office.
 “Office Action for JP 2021-002874”, dated Jun. 1, 2021, Japanese Patent Office.
 “Office Action for JP 2021-002875”, dated Jun. 1, 2021, Japanese Patent Office.
 “Office Action for JP 2021-002876”, dated Jun. 1, 2021, Japanese Patent Office.
 Toja Grid TRIO 2 Pack for 6x6 Wood G0210360-2 <https://www.patioproducts.com/toja-grid-trio-2-pack-for-6x6-wood-g0210360-2.html> Date Unknown, screenshot from Mar. 8, 2022.

* cited by examiner

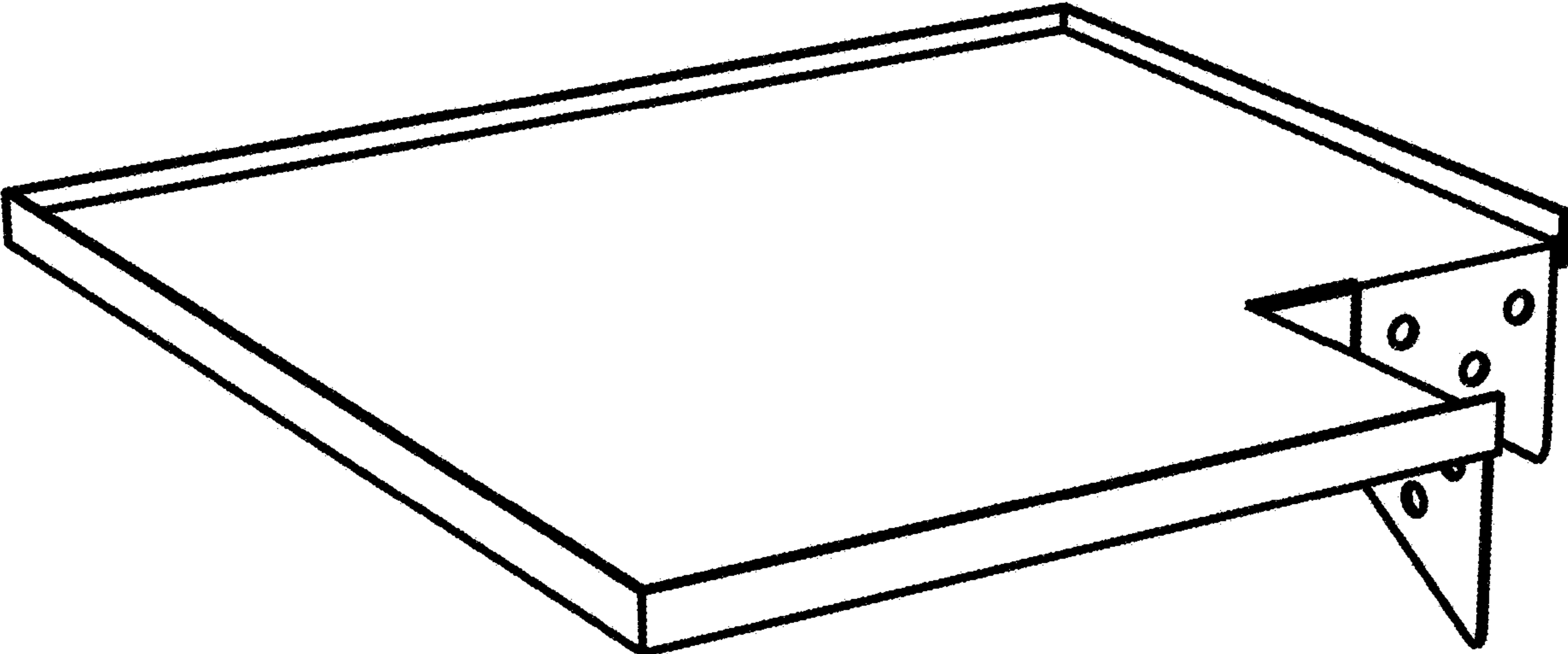


FIG.1

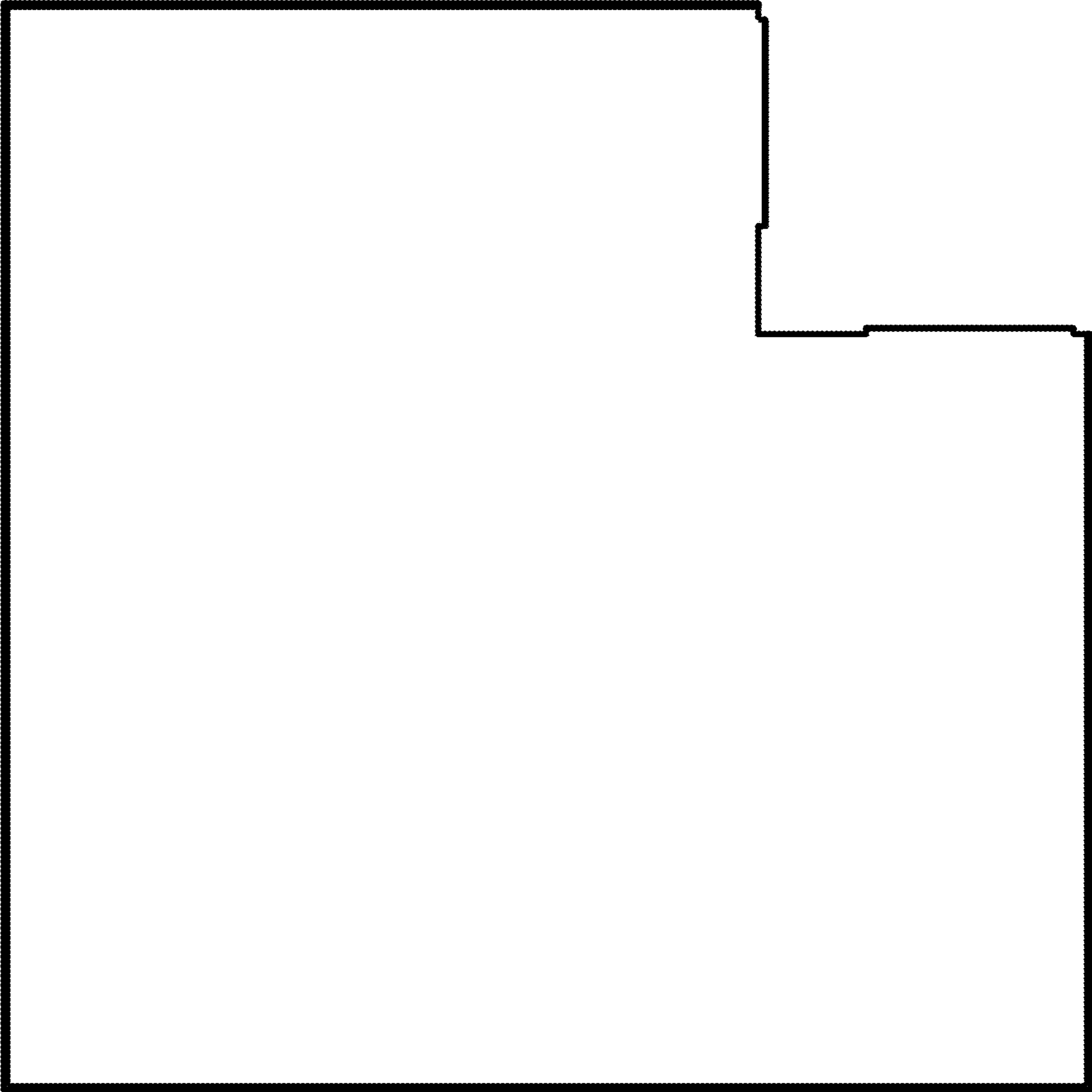


FIG.2

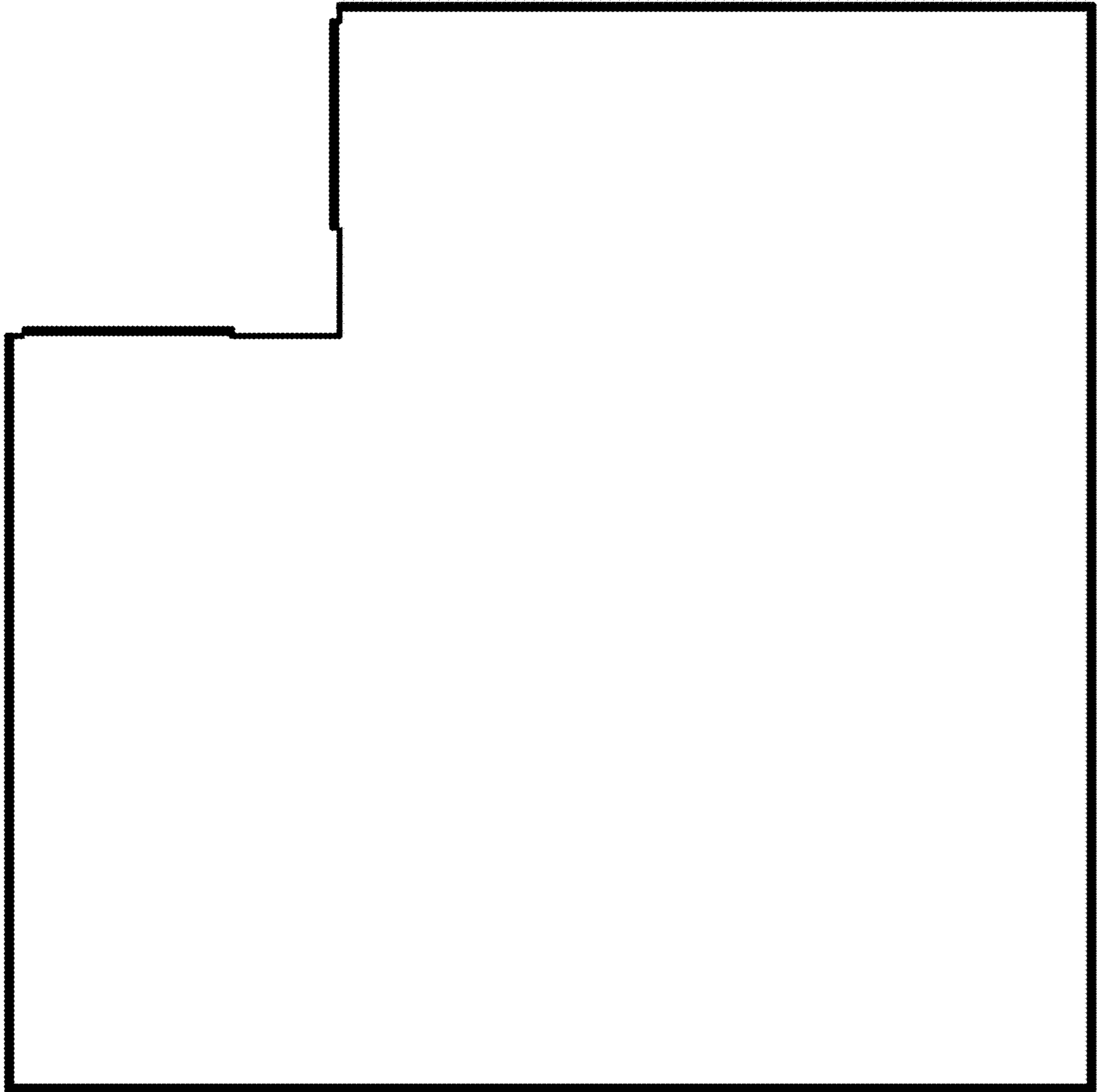


FIG.3

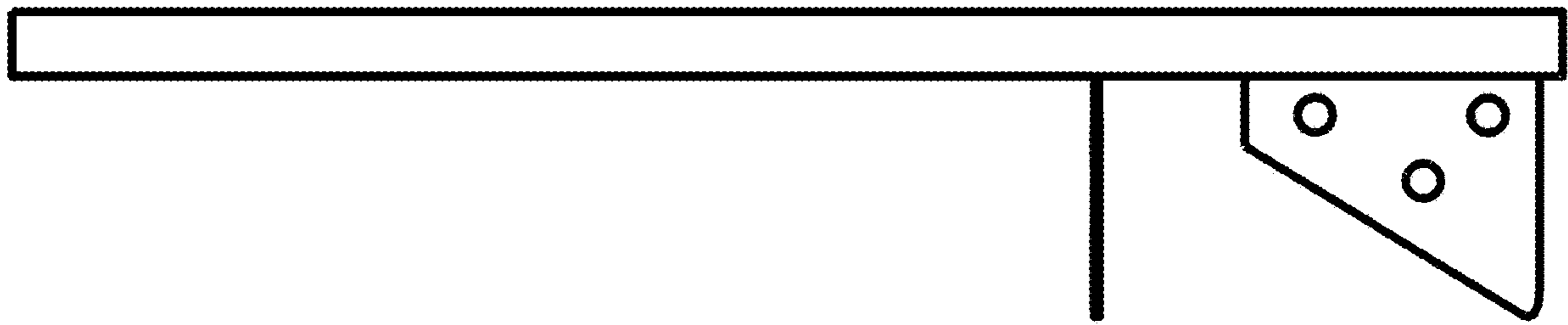


FIG.4



FIG.5



FIG.6



FIG.7

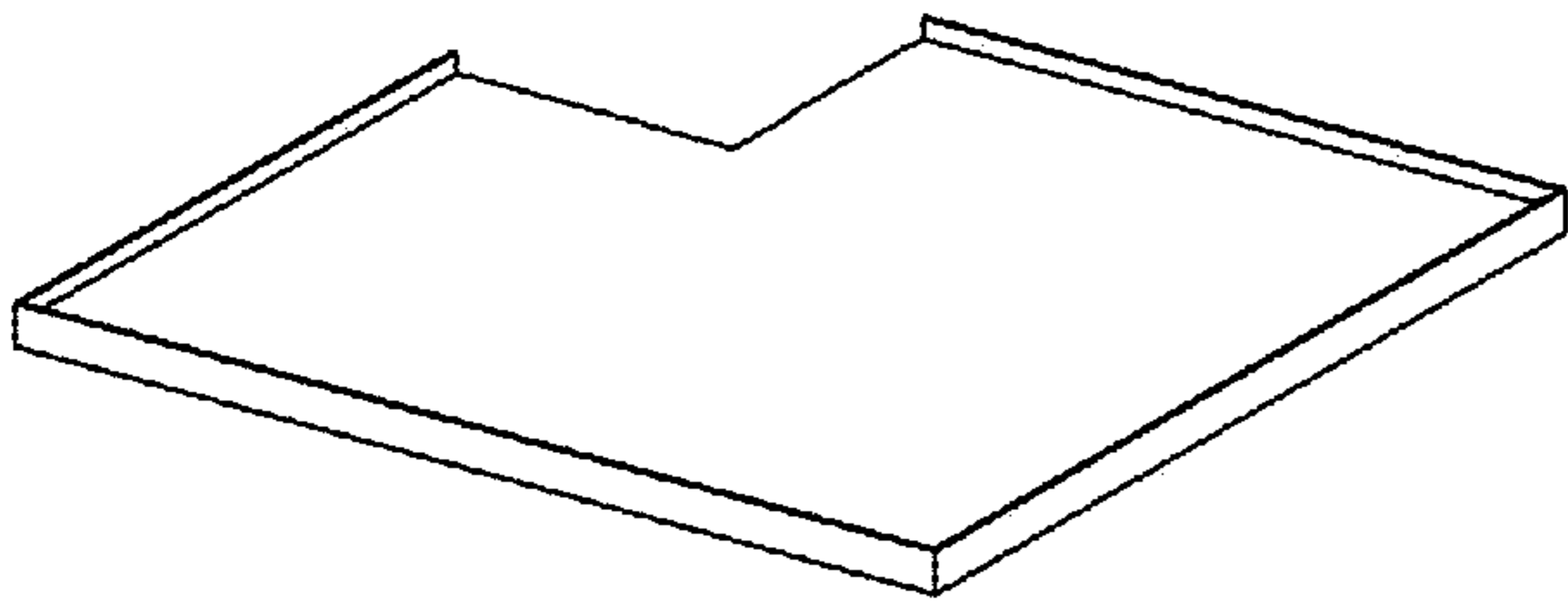


FIG. 8

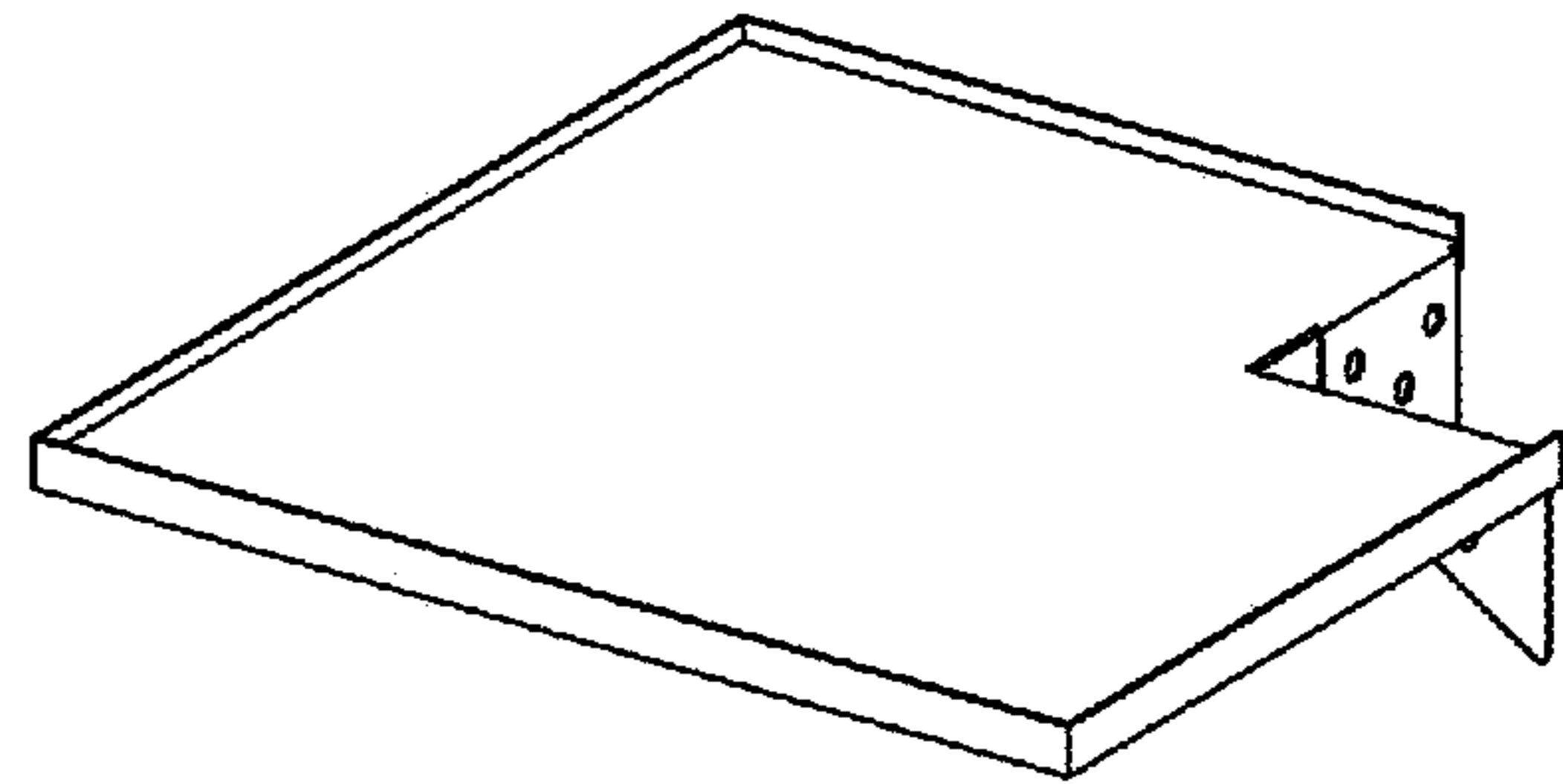


FIG. 9

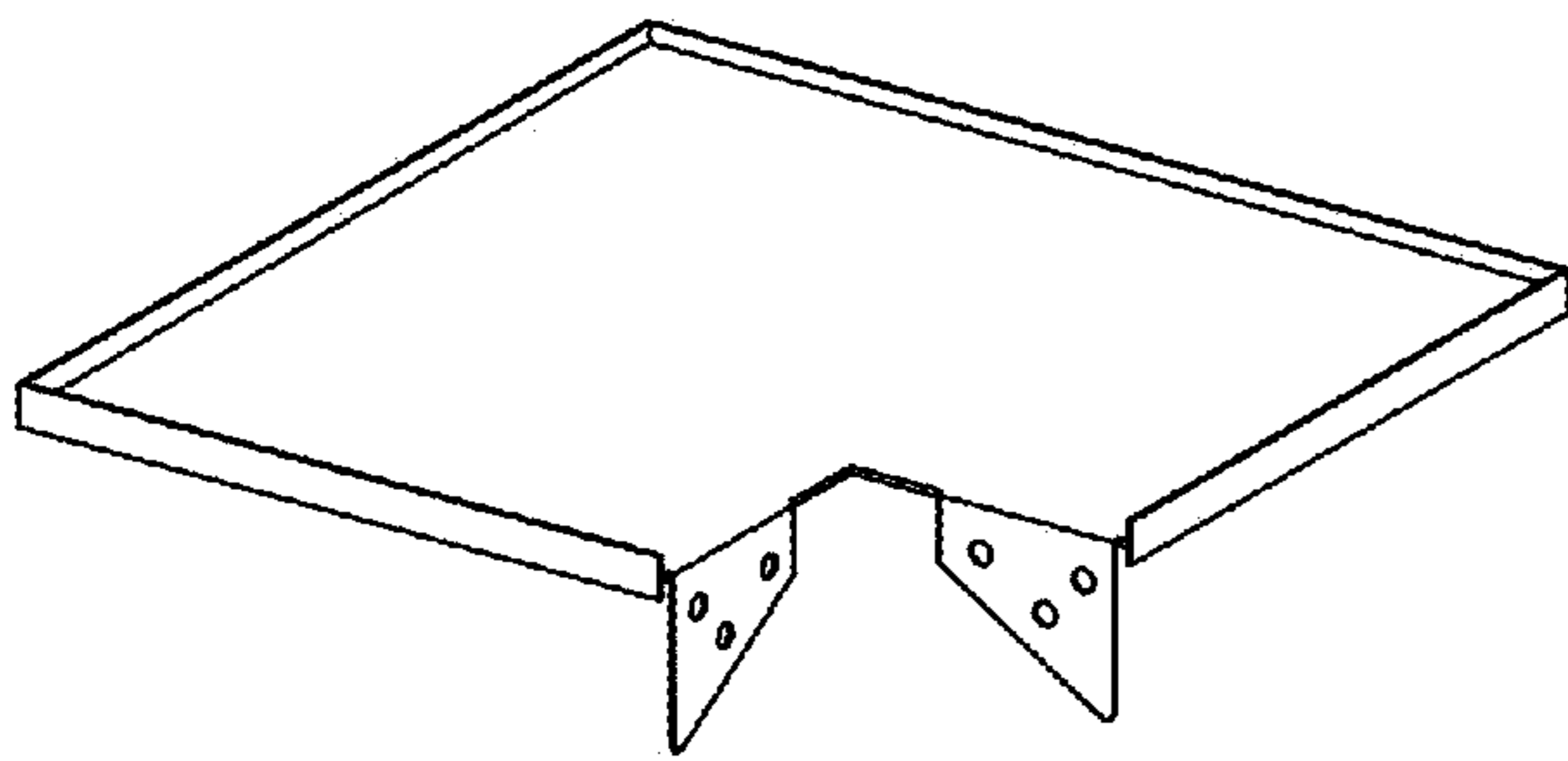


FIG. 11

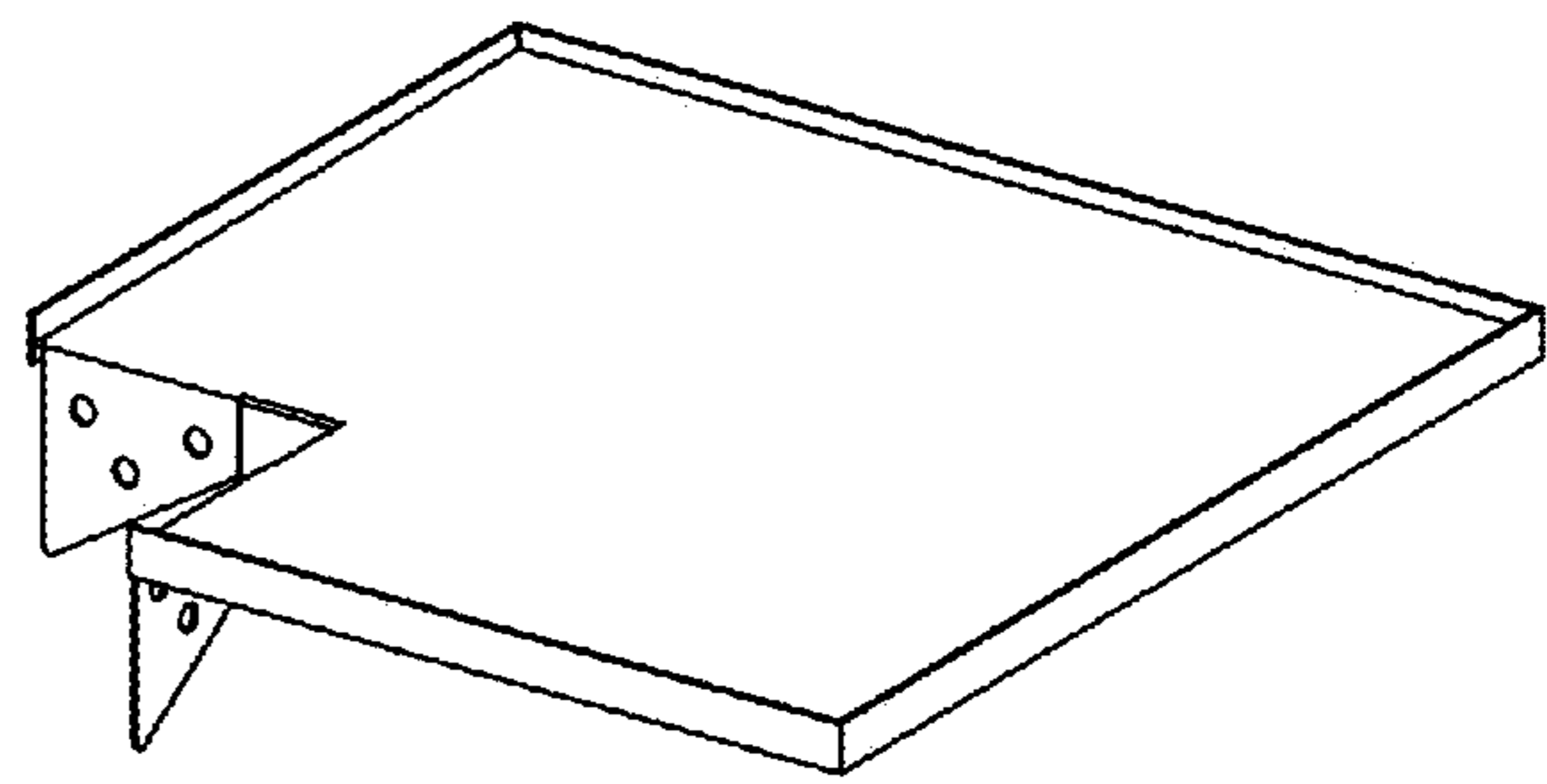


FIG. 10