



US00D952381S

(12) **United States Design Patent** (10) **Patent No.:** **US D952,381 S**
Gatto et al. (45) **Date of Patent:** **** May 24, 2022**

- (54) **PRODUCT DISPLAY UNIT**
- (71) Applicant: **Marmon Foodservice Technologies, Inc.**, Osseo, MN (US)
- (72) Inventors: **Daniel Gatto**, Brooklyn, NY (US); **Jonathan Andrew Hughes**, Wyndmoor, PA (US); **Douglas E. Best**, Long Beach, NY (US)
- (73) Assignee: **Marmon Foodservice Technologies, Inc.**, Osseo, MN (US)
- (**) Term: **15 Years**
- (21) Appl. No.: **29/712,534**
- (22) Filed: **Nov. 8, 2019**
- (51) **LOC (13) Cl.** **06-06**
- (52) **U.S. Cl.**
USPC **D6/702; D6/672**
- (58) **Field of Classification Search**
USPC D6/672, 702, 703, 703.1, 705, 705.1, D6/705.5, 512, 513, 515
CPC A47F 1/00; A47F 1/04; A47F 1/12; A47F 1/125
See application file for complete search history.

- 5,531,336 A * 7/1996 Parham A47F 5/005
211/183
- 5,645,176 A * 7/1997 Jay A47F 1/12
211/59.2
- D401,437 S * 11/1998 Primiano D6/705.1
- D402,490 S * 12/1998 Parham D6/702
(Continued)

OTHER PUBLICATIONS

Pictures and graphical representations of products commercially available as of Aug. 23, 2019.
(Continued)

Primary Examiner — Steven J Czyz
(74) *Attorney, Agent, or Firm* — Andrus Intellectual Property Law, LLP

(57) **CLAIM**

The ornamental design for a product display unit, as shown and described.

DESCRIPTION

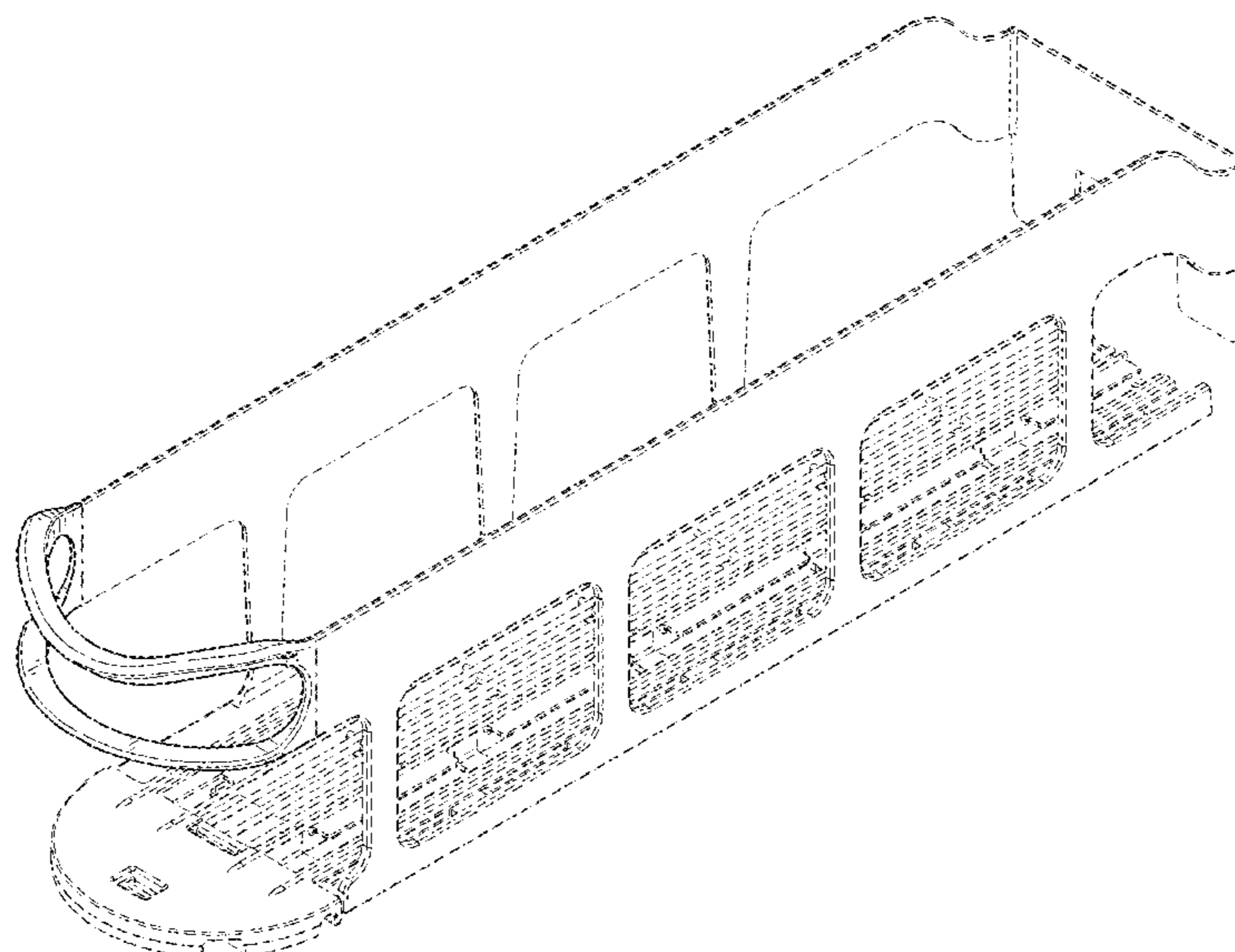
FIG. 1 is a top front right side perspective view of a product display unit;
 FIG. 2 is a bottom front left side perspective view thereof;
 FIG. 3 is a top rear left side perspective view thereof;
 FIG. 4 is a top rear right side perspective view thereof;
 FIG. 5 is a front elevation view thereof;
 FIG. 6 is a rear elevation view thereof;
 FIG. 7 is a left side elevation view thereof;
 FIG. 8 is a right side elevation view thereof;
 FIG. 9 is a top plan view thereof; and,
 FIG. 10 is a bottom plan view thereof.
 The dash-dot-dash broken lines represent the boundaries of the claimed design and form no part of the claimed design. The broken lines outside of the boundaries represent portions of the product display unit that form no part of the claimed design.

(56) **References Cited**

U.S. PATENT DOCUMENTS

- 2,218,444 A * 10/1940 Vineyard A47F 1/12
211/59.2
- D255,964 S * 7/1980 Anderson D6/705.1
- 4,785,943 A * 11/1988 Deffner A47F 1/12
211/128.1
- 5,027,957 A * 7/1991 Skalski A47F 1/126
211/59.3
- 5,123,546 A * 6/1992 Crum A47F 1/126
206/556
- D341,508 S * 11/1993 Cooper D25/119
- 5,366,099 A * 11/1994 Schmid A47F 1/126
211/175

1 Claim, 9 Drawing Sheets



(56)

References Cited

U.S. PATENT DOCUMENTS

D405,622 S * 2/1999 Linz D6/515
 D405,632 S * 2/1999 Parham D6/702
 5,865,324 A * 2/1999 Jay A47F 7/28
 211/59.2
 5,904,256 A 5/1999 Jay
 D417,975 S * 12/1999 Linz D6/702
 6,068,142 A * 5/2000 Primiano A47F 1/12
 211/183
 6,082,556 A * 7/2000 Primiano A47F 7/28
 211/59.2
 6,142,316 A * 11/2000 Harbour A47F 1/12
 211/59.2
 6,142,317 A * 11/2000 Meri A47F 1/125
 211/184
 6,189,734 B1 * 2/2001 Apps A47F 1/12
 211/59.2
 6,227,635 B1 * 5/2001 Teppo E05D 15/403
 312/245
 6,237,784 B1 * 5/2001 Primiano A47F 1/12
 211/59.2
 6,325,221 B2 * 12/2001 Parham A47F 1/12
 211/183
 6,357,606 B1 * 3/2002 Henry A47F 1/126
 211/184
 6,691,891 B2 * 2/2004 Maldonado A47F 1/125
 211/59.3
 6,866,156 B2 * 3/2005 Nagel A47F 1/126
 211/59.3
 7,168,579 B2 * 1/2007 Richter A47F 1/126
 211/59.3
 7,182,209 B2 * 2/2007 Squitieri A47F 1/12
 211/184
 D552,877 S * 10/2007 Trulaske, Sr. D6/706
 D575,592 S * 8/2008 Lion D7/601
 7,469,791 B2 * 12/2008 Phoy A47F 5/0093
 211/59.2
 7,506,769 B2 * 3/2009 Howerton A47F 1/126
 211/59.3
 D608,575 S * 1/2010 Johnson D6/515
 D612,646 S * 3/2010 Johnson D6/515
 D613,101 S * 4/2010 Hardy D6/515
 D613,102 S * 4/2010 Hardy D6/515
 7,703,614 B2 * 4/2010 Schneider A47F 3/14
 211/59.3
 D621,644 S * 8/2010 Johnson A47F 1/04
 D6/515
 D621,645 S * 8/2010 Johnson D6/515
 7,823,734 B2 * 11/2010 Hardy A47F 1/125
 211/59.3
 D634,609 S * 3/2011 Bauer D8/376
 D649,818 S * 12/2011 Dye D6/705
 8,496,126 B2 * 7/2013 Mueller A47F 1/126
 211/59.3
 8,720,702 B2 * 5/2014 Nagel A47F 1/128
 211/59.3
 8,739,984 B2 * 6/2014 Hardy A47F 7/0007
 211/119.003
 8,746,468 B2 * 6/2014 Pouloukefalos A47F 5/005
 211/59.3
 8,863,963 B2 * 10/2014 Hardy A47F 1/04
 211/59.3
 8,967,394 B2 * 3/2015 Hardy A47B 45/00
 211/59.3

8,978,904 B2 * 3/2015 Hardy A47F 5/0093
 211/184
 9,060,624 B2 * 6/2015 Hardy A47F 1/12
 9,107,516 B2 * 8/2015 Pichel A47F 1/04
 9,138,075 B2 * 9/2015 Hardy A47F 5/005
 9,173,504 B2 * 11/2015 Hardy A47B 57/585
 9,226,599 B2 * 1/2016 Vosschenrich A47F 1/126
 9,232,864 B2 * 1/2016 Hardy A47F 1/04
 9,259,102 B2 * 2/2016 Hardy A47F 1/12
 9,265,358 B2 * 2/2016 Hardy A47F 7/28
 9,265,362 B2 * 2/2016 Hardy A47F 5/005
 9,380,889 B2 * 7/2016 Howard A47F 7/0007
 9,392,883 B2 * 7/2016 Kologe A47F 1/125
 9,486,088 B2 * 11/2016 Hardy A47F 5/0093
 9,622,594 B2 * 4/2017 Gommerrmann A47F 1/12
 9,713,395 B2 7/2017 Pichel
 9,723,933 B2 8/2017 Howard et al.
 9,750,354 B2 * 9/2017 Hardy A47F 7/28
 D801,734 S * 11/2017 Turner D6/681.1
 9,949,577 B2 4/2018 Botta et al.
 9,955,802 B2 * 5/2018 Bird A47F 7/28
 10,034,557 B1 * 7/2018 Nagel A47F 5/005
 10,045,637 B2 * 8/2018 Akins A47F 1/126
 10,045,642 B2 8/2018 Howard et al.
 10,092,114 B2 * 10/2018 Camello A47F 3/02
 D836,954 S * 1/2019 Turner D6/675
 D837,579 S * 1/2019 Petersen D6/702
 10,178,909 B2 * 1/2019 Hardy A47F 7/28
 10,219,639 B2 * 3/2019 Howard A47F 5/005
 10,285,510 B2 * 5/2019 Hardy A47F 3/14
 10,441,092 B2 * 10/2019 Hardy A47F 1/126
 10,448,756 B2 * 10/2019 Hardy A47B 57/583
 10,786,093 B2 * 9/2020 Pena A47F 5/005
 D909,106 S * 2/2021 Maager D6/702
 D909,107 S * 2/2021 Maager D6/702
 10,952,546 B2 * 3/2021 Hardy A47F 1/126
 11,045,017 B2 * 6/2021 Padvoiskis A47F 5/0807
 2003/0057167 A1 * 3/2003 Johnson A47F 1/126
 211/59.3
 2003/0136750 A1 * 7/2003 Fujii A47F 5/0093
 211/90.02
 2006/0186065 A1 * 8/2006 Ciesick A47F 1/04
 211/59.3
 2007/0068885 A1 * 3/2007 Busto A47F 1/125
 211/59.3
 2008/0257842 A1 * 10/2008 Mason A47F 1/126
 211/133.6
 2009/0039040 A1 * 2/2009 Johnson A47F 5/0025
 211/120
 2010/0107670 A1 * 5/2010 Kottke A47F 3/14
 62/250
 2015/0108074 A1 * 4/2015 Pichel A47F 1/126
 211/59.3
 2015/0157141 A1 * 6/2015 Neumann A47F 5/0037
 211/59.2
 2015/0164241 A1 * 6/2015 Nagel A47F 1/125
 211/59.3
 2015/0366376 A1 * 12/2015 Filippini A47F 7/0007
 211/59.3

OTHER PUBLICATIONS

Gatto et al., "Product Display Lens", Design U.S. Appl. No. 29/703,298, filed Aug. 26, 2019.

* cited by examiner

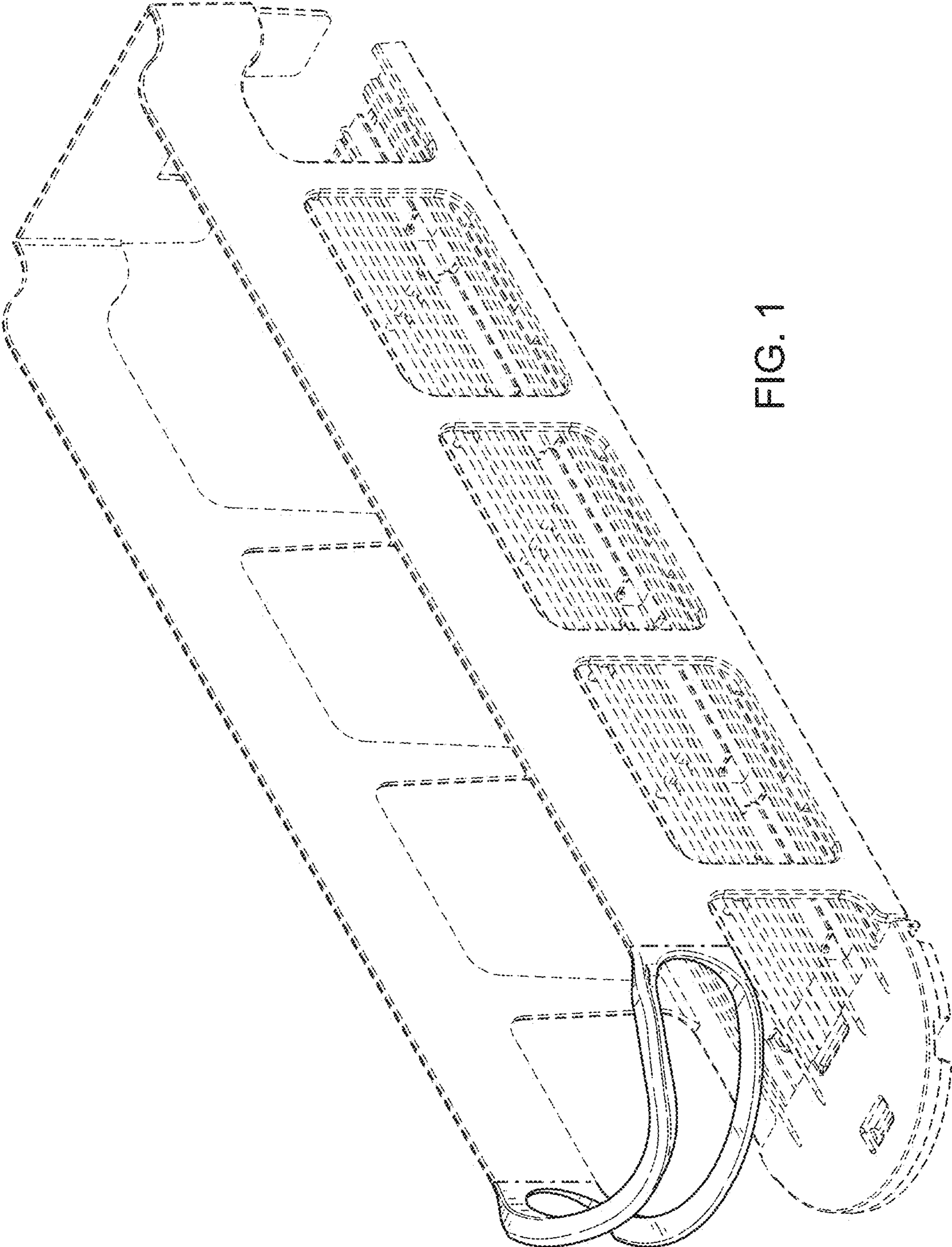


FIG. 1

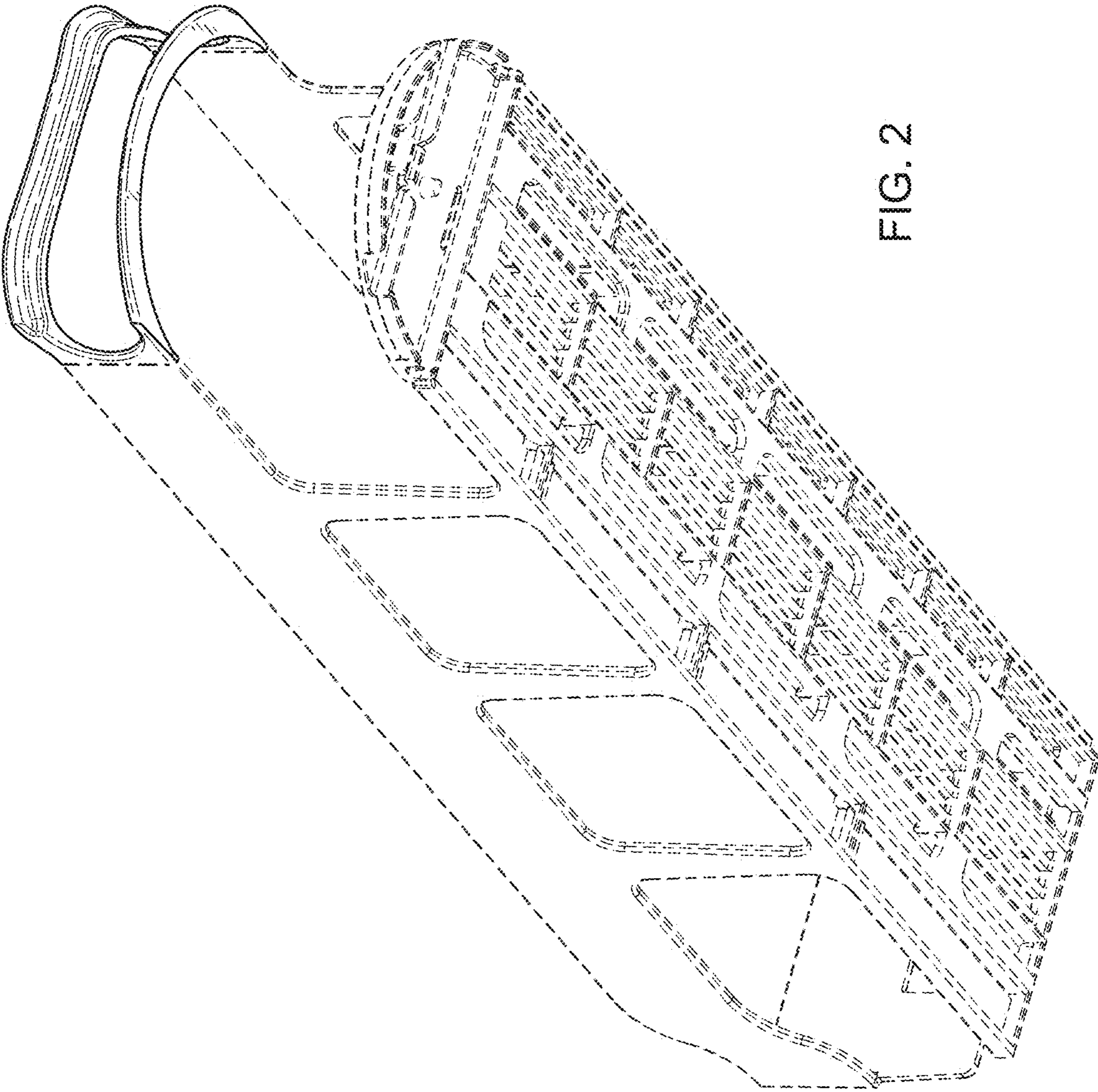


FIG. 2

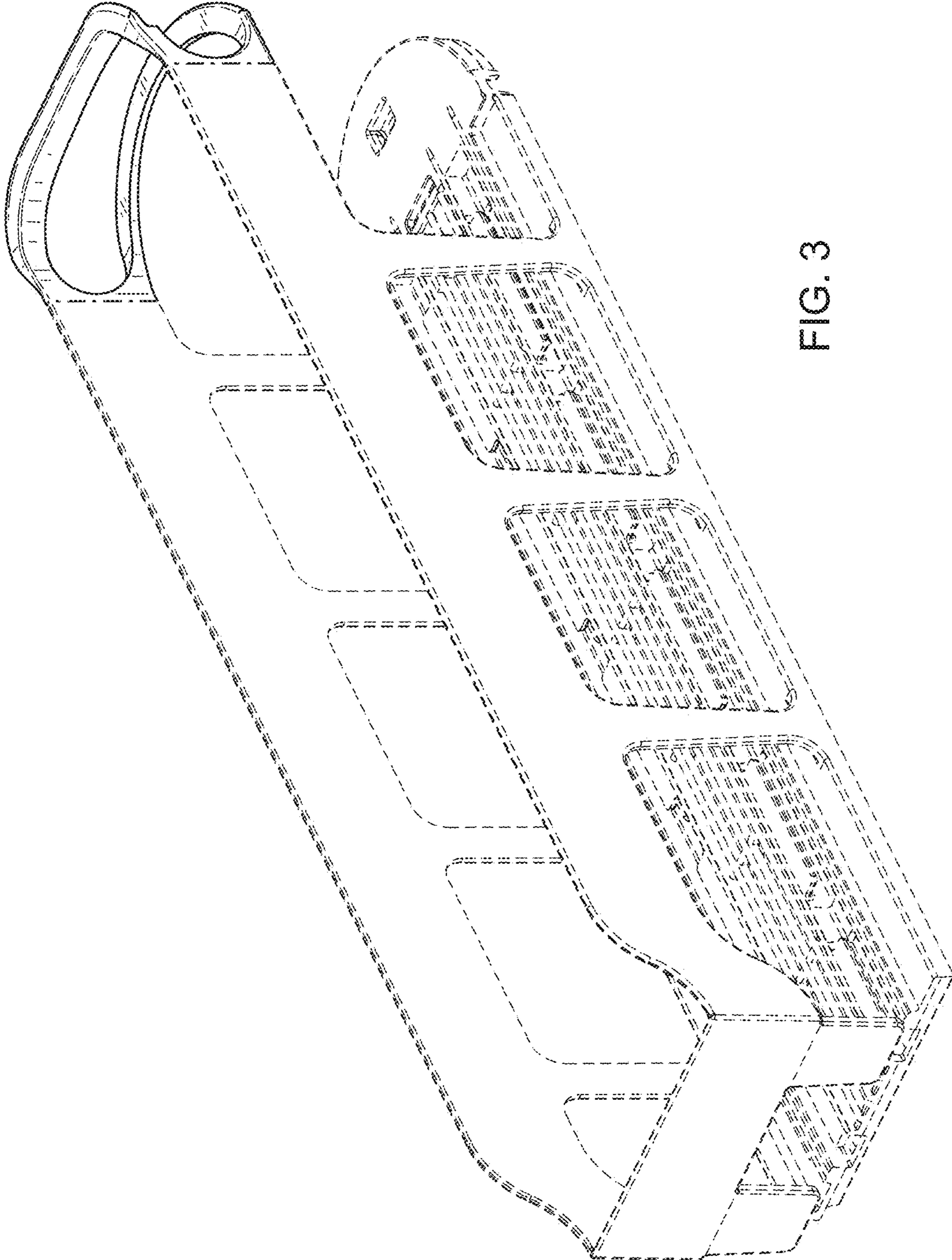


FIG. 3

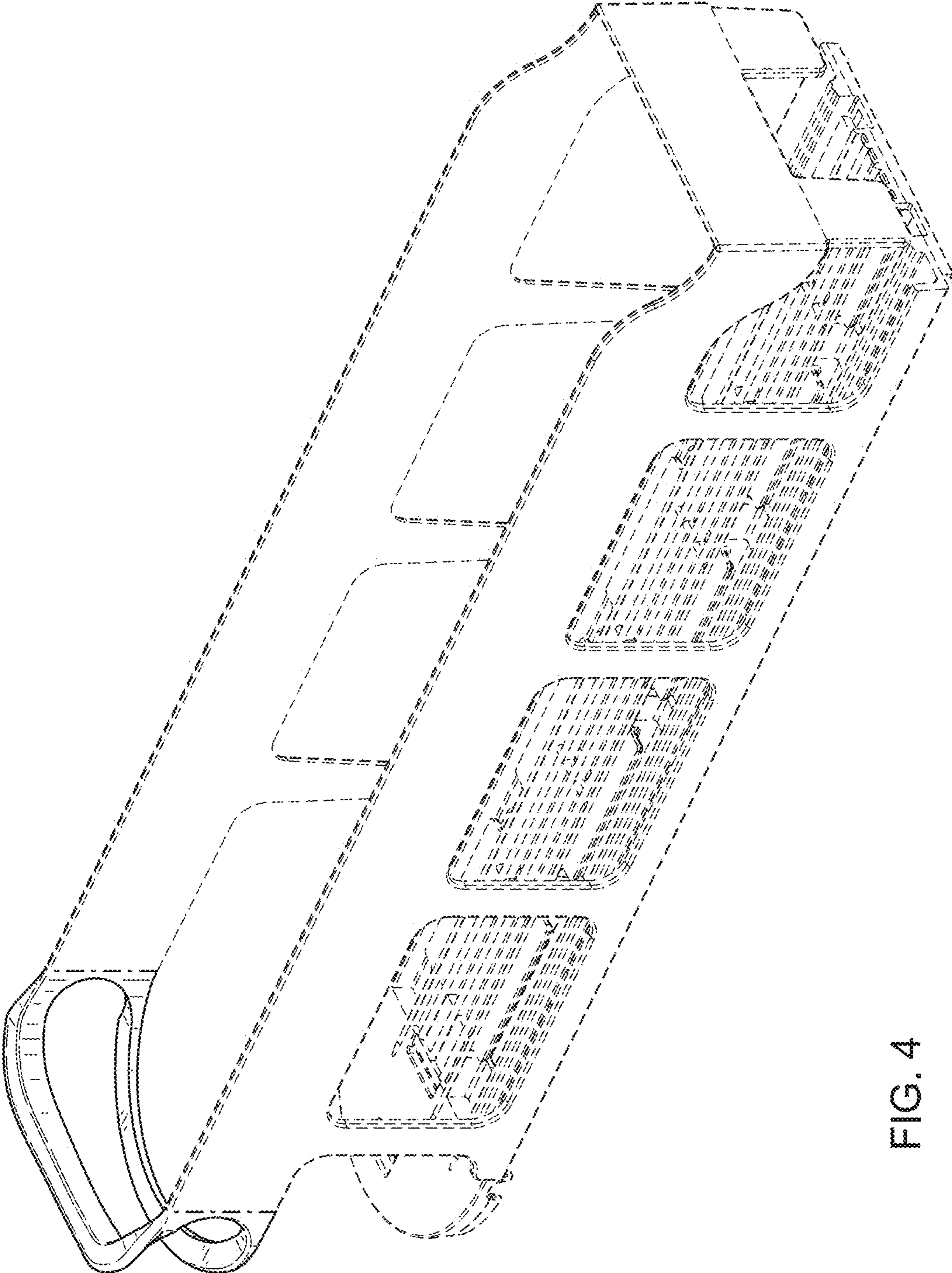


FIG. 4

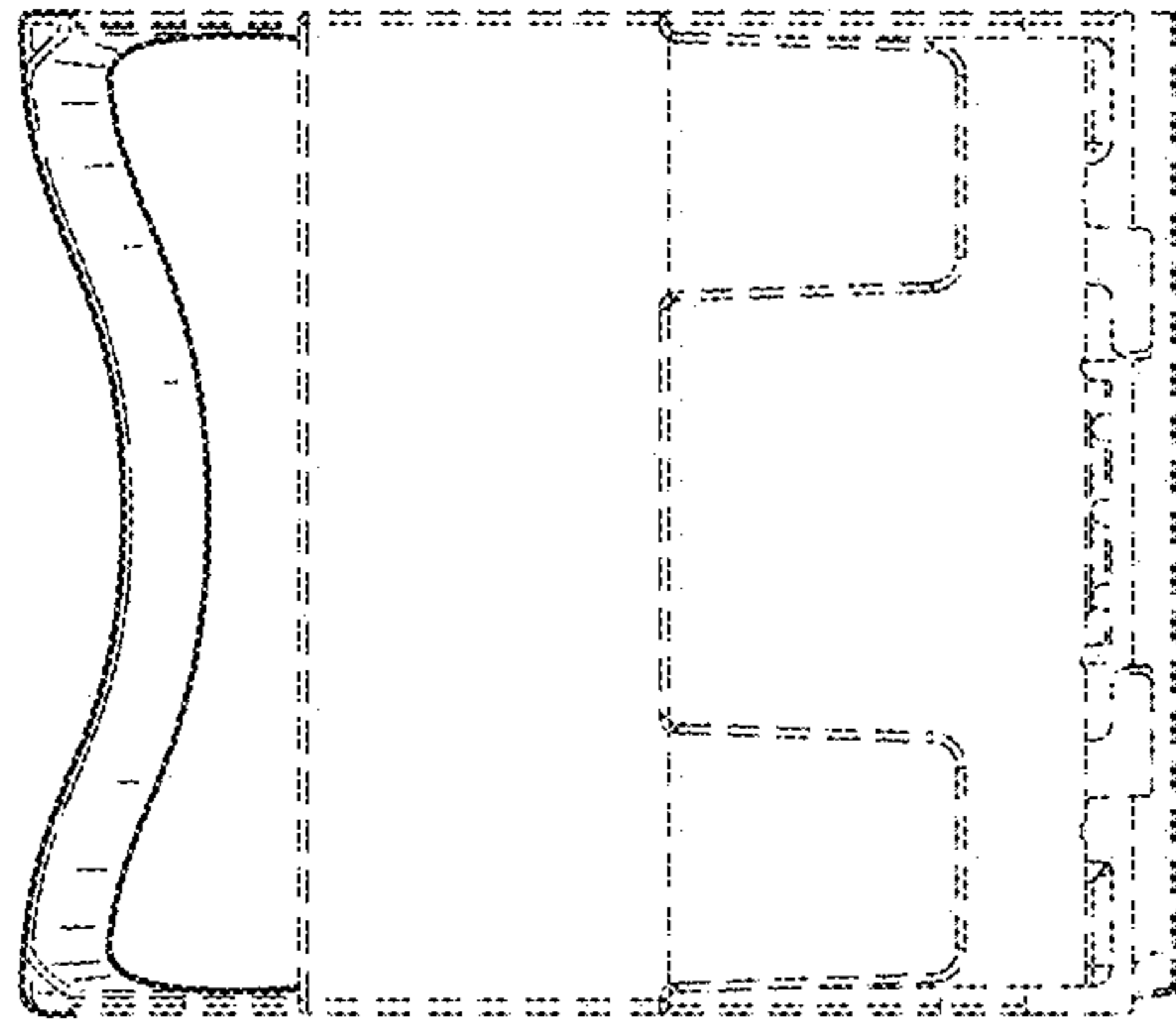


FIG. 6

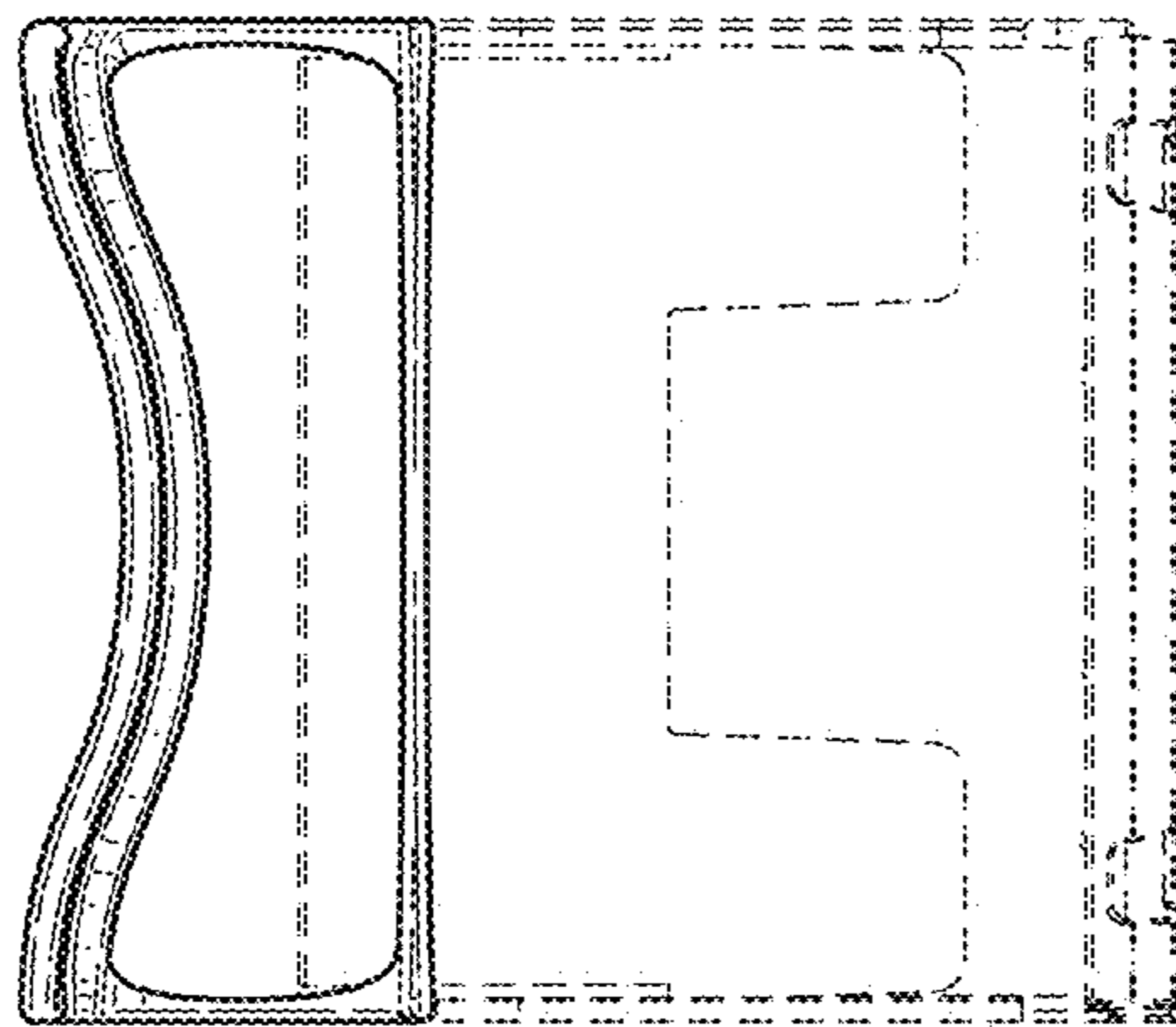


FIG. 5

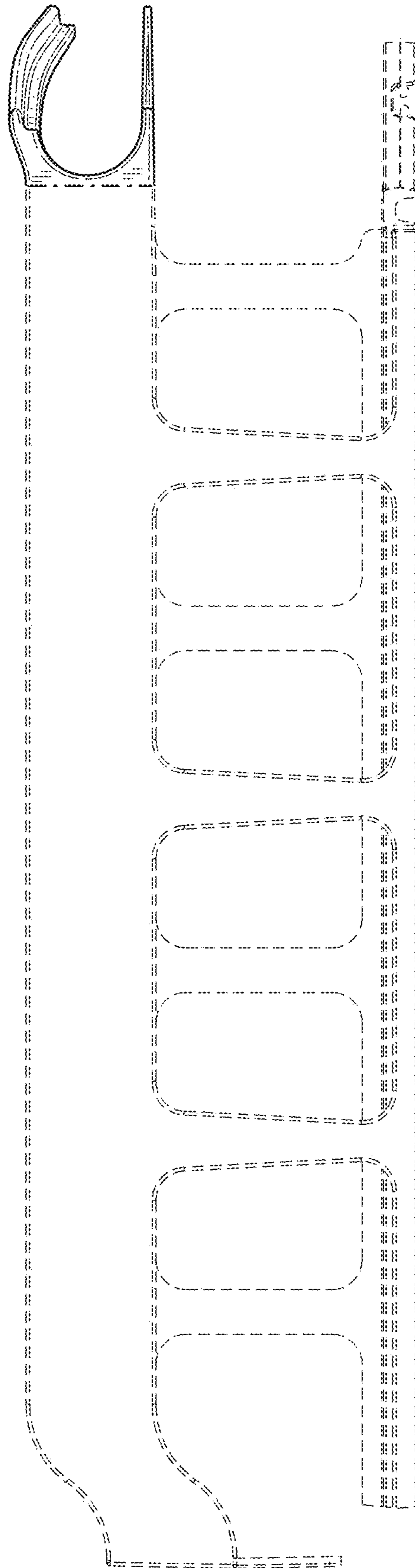


FIG. 7

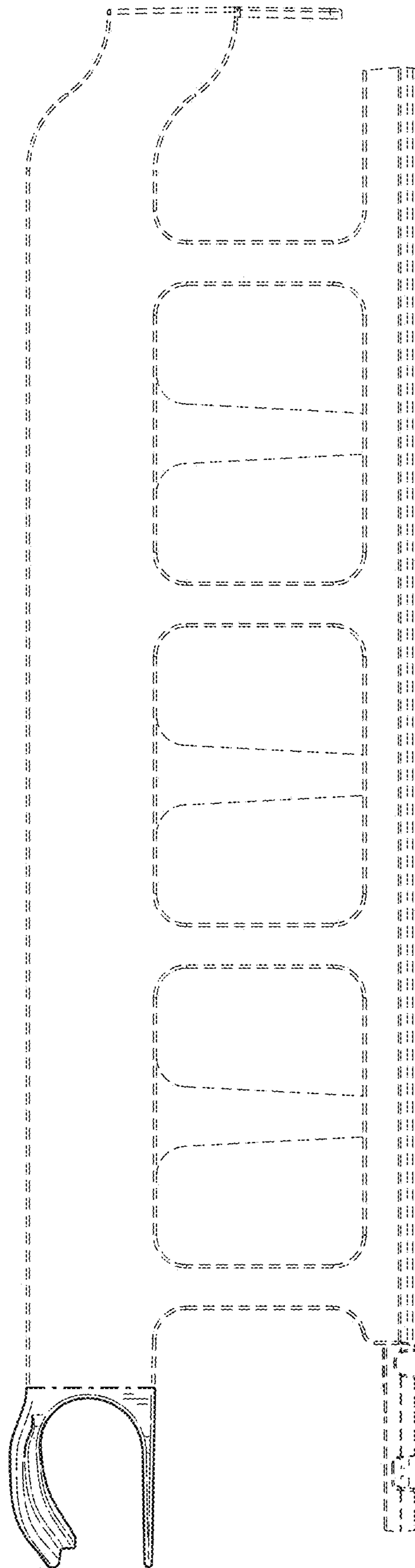


FIG. 8

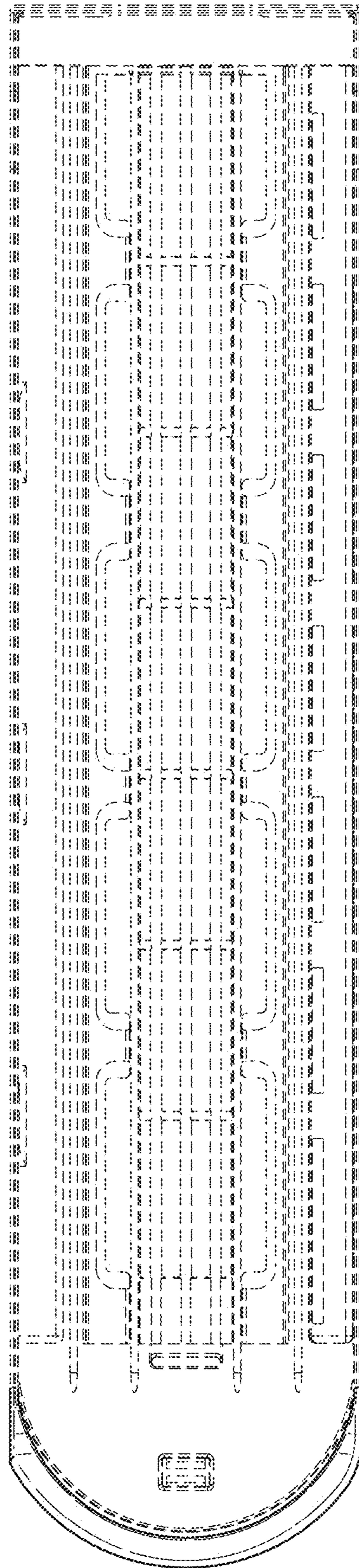


FIG. 9

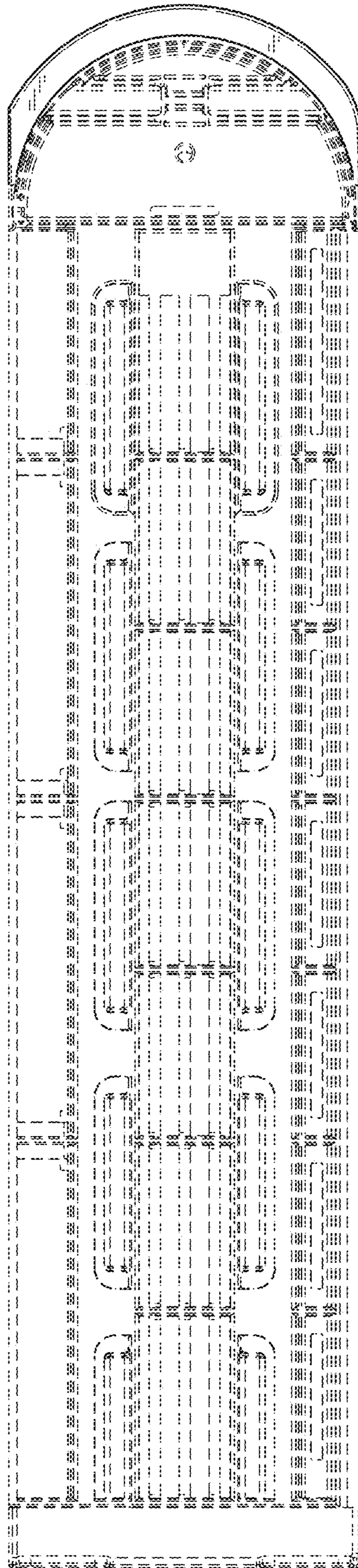


FIG. 10