



US00D952380S

(12) **United States Design Patent**
Gatto et al.

(10) **Patent No.:** **US D952,380 S**

(45) **Date of Patent:** **** May 24, 2022**

- (54) **PRODUCT DISPLAY LENS**
- (71) Applicant: **Marmon Foodservice Technologies, Inc.**, Osseo, MN (US)
- (72) Inventors: **Daniel Gatto**, Brooklyn, NY (US);
Jonathan Andrew Hughes, Wyndmoor, PA (US)
- (73) Assignee: **Marmon Foodservice Technologies, Inc.**, Osseo, MN (US)
- (**) Term: **15 Years**
- (21) Appl. No.: **29/703,298**
- (22) Filed: **Aug. 26, 2019**
- (51) **LOC (13) Cl.** **06-06**
- (52) **U.S. Cl.**
USPC **D6/702; D6/672**
- (58) **Field of Classification Search**
USPC D6/672, 702, 703, 703.1, 705, 705.1,
D6/705.5, 512, 513, 515
CPC A47F 1/00; A47F 1/04; A47F 1/12; A47F
1/125
See application file for complete search history.

- 5,531,336 A * 7/1996 Parham A47F 5/005
211/183
- 5,645,176 A * 7/1997 Jay A47F 1/12
211/59.2
- D401,437 S * 11/1998 Primiano D6/705.1
(Continued)

OTHER PUBLICATIONS

Pictures and graphical representations of products commercially available as of Aug. 23, 2019.

Primary Examiner — Steven J Czyz
(74) *Attorney, Agent, or Firm* — Andrus Intellectual Property Law, LLP

(57) **CLAIM**

The ornamental design for a product display lens, as shown and described.

DESCRIPTION

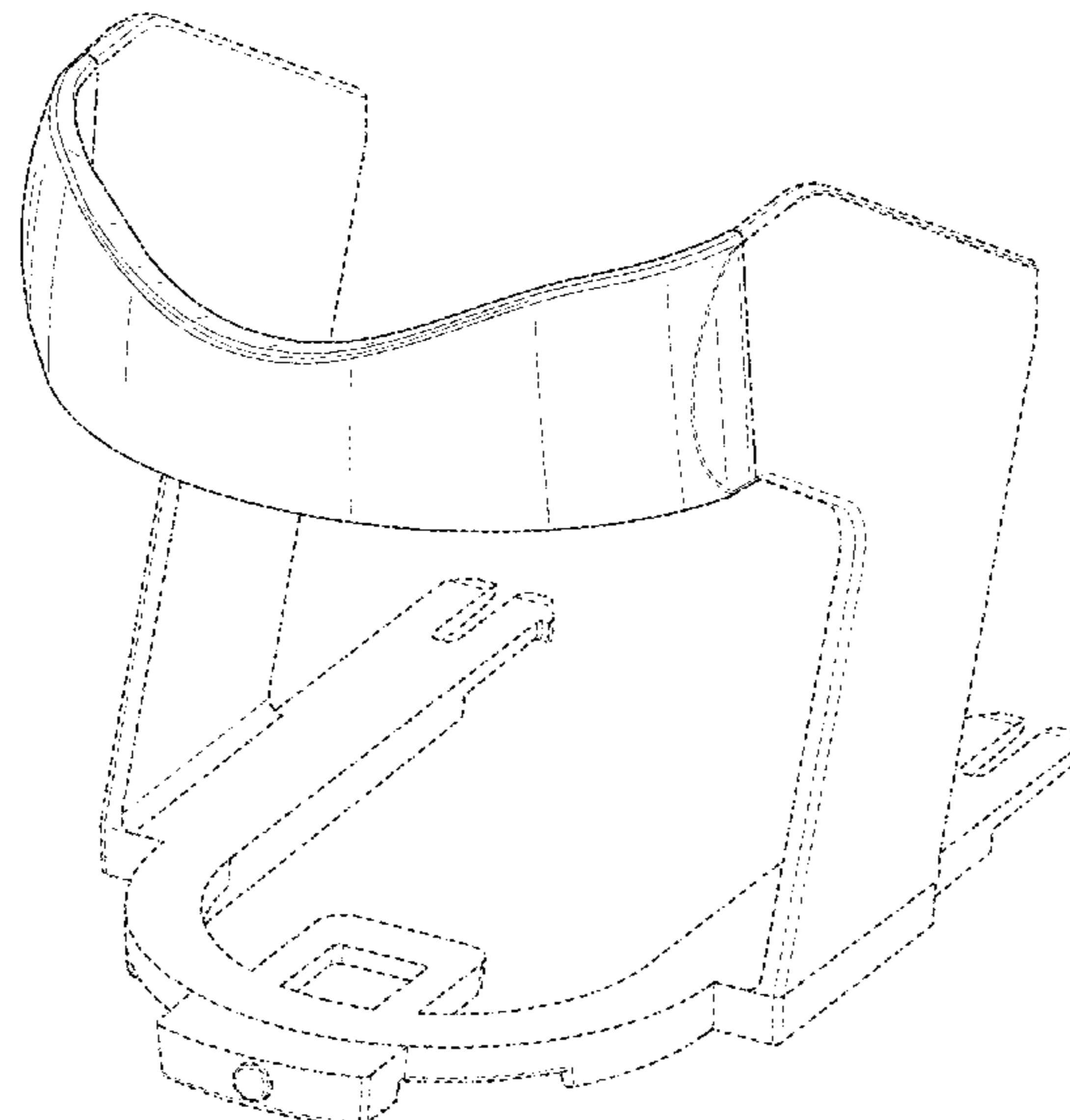
FIG. 1 is a front perspective view of a product display lens; FIG. 2 is a rear perspective view thereof; FIG. 3 is another rear perspective view thereof; FIG. 4 is a front elevation view thereof; FIG. 5 is a rear elevation view thereof; FIG. 6 is a left side elevation view; FIG. 7 is a right side elevation view; FIG. 8 is a top plan view thereof; FIG. 9 is a bottom plan view thereof; and, FIG. 10 is a perspective view of the product display lens, shown in use attached to a product display. The broken lines in the Figures illustrate portions of the product display lens that form no part of the claimed design. The dash-dot-dash lines in the Figures between the solid line portions and the broken line portions of the product display lens show the boundaries of the claimed design and form no part of the claimed design. The broken lines in FIG. 10 illustrate environmental subject matter of a product display unit that forms no part of the claimed design.

(56) **References Cited**

U.S. PATENT DOCUMENTS

- 2,218,444 A * 10/1940 Vineyard A47F 1/12
211/59.2
- D255,964 S * 7/1980 Anderson D6/705.1
- 4,785,943 A * 11/1988 Deffner A47F 1/12
211/128.1
- 5,027,957 A * 7/1991 Skalski A47F 1/126
211/59.3
- 5,123,546 A * 6/1992 Crum A47F 1/126
206/556
- D341,508 S * 11/1993 Cooper D25/119
- 5,366,099 A * 11/1994 Schmid A47F 1/126
211/175

1 Claim, 10 Drawing Sheets



(56)	References Cited				
	U.S. PATENT DOCUMENTS				
D402,490	S *	12/1998	Parham	D6/702
D405,622	S *	2/1999	Linz	D6/515
D405,632	S *	2/1999	Parham	D6/702
5,865,324	A *	2/1999	Jay	A47F 7/28 211/59.2
5,904,256	A	5/1999	Jay		
D417,975	S *	12/1999	Linz	D6/702
6,068,142	A *	5/2000	Primiano	A47F 1/12 211/183
6,082,556	A *	7/2000	Primiano	A47F 7/28 211/59.2
6,142,316	A *	11/2000	Harbour	A47F 1/12 211/59.2
6,142,317	A *	11/2000	Merl	A47F 1/125 211/184
6,189,734	B1 *	2/2001	Apps	A47F 1/12 211/59.2
6,227,635	B1 *	5/2001	Teppo	E05D 15/403 312/245
6,237,784	B1 *	5/2001	Primiano	A47F 1/12 211/59.2
6,325,221	B2 *	12/2001	Parham	A47F 1/12 211/183
6,357,606	B1 *	3/2002	Henry	A47F 1/126 211/184
6,691,891	B2 *	2/2004	Maldonado	A47F 1/125 211/59.3
6,866,156	B2 *	3/2005	Nagel	A47F 1/126 211/59.3
7,168,579	B2 *	1/2007	Richter	A47F 1/126 211/59.3
7,182,209	B2 *	2/2007	Squitieri	A47F 1/12 211/184
D552,877	S *	10/2007	Trulaske, Sr.	D6/706
D575,592	S *	8/2008	Lion	D7/601
7,469,791	B2 *	12/2008	Phoy	A47F 5/0093 211/59.2
7,506,769	B2 *	3/2009	Howerton	A47F 1/126 211/59.3
D608,575	S *	1/2010	Johnson	D6/515
D612,646	S *	3/2010	Johnson	D6/515
D613,101	S *	4/2010	Hardy	D6/515
D613,102	S *	4/2010	Hardy	D6/515
7,703,614	B2 *	4/2010	Schneider	A47F 3/14 211/59.3
D621,644	S *	8/2010	Johnson	A47F 1/04 D6/515
D621,645	S *	8/2010	Johnson	D6/515
7,823,734	B2 *	11/2010	Hardy	A47F 1/125 211/59.3
D634,609	S *	3/2011	Bauer	D8/376
D649,818	S *	12/2011	Dye	D6/705
8,496,126	B2 *	7/2013	Mueller	A47F 1/126 211/59.3
8,720,702	B2 *	5/2014	Nagel	A47F 1/128 211/59.3
8,739,984	B2 *	6/2014	Hardy	A47F 7/0007 211/119.003
8,746,468	B2 *	6/2014	Poulokefalos	A47F 5/005 211/59.3
8,863,963	B2 *	10/2014	Hardy	A47F 1/04 211/59.3
8,967,394	B2 *	3/2015	Hardy	A47B 45/00 211/59.3
8,978,904	B2 *	3/2015	Hardy	A47F 5/0093 211/184
9,060,624	B2 *	6/2015	Hardy	A47F 1/12
9,107,516	B2 *	8/2015	Pichel	A47F 1/04
9,138,075	B2 *	9/2015	Hardy	A47F 5/005
9,173,504	B2 *	11/2015	Hardy	A47B 57/585
9,226,599	B2 *	1/2016	Vosshenrich	A47F 1/126
9,232,864	B2 *	1/2016	Hardy	A47F 1/04
9,259,102	B2 *	2/2016	Hardy	A47F 1/12
9,265,358	B2 *	2/2016	Hardy	A47F 7/28
9,265,362	B2 *	2/2016	Hardy	A47F 5/005
9,380,889	B2 *	7/2016	Howard	A47F 7/0007
9,392,883	B2 *	7/2016	Kologe	A47F 1/125
9,486,088	B2 *	11/2016	Hardy	A47F 5/0093
9,622,594	B2 *	4/2017	Gommernann	A47F 1/12
9,713,395	B2	7/2017	Pichel		
9,723,933	B2	8/2017	Howard et al.		
9,750,354	B2 *	9/2017	Hardy	A47F 7/28
D801,734	S *	11/2017	Turner	D6/681.1
9,949,577	B2	4/2018	Botta et al.		
9,955,802	B2 *	5/2018	Bird	A47F 7/28
10,034,557	B1 *	7/2018	Nagel	A47F 5/005
10,045,637	B2 *	8/2018	Akins	A47F 1/126
10,045,642	B2	8/2018	Howard et al.		
10,092,114	B2 *	10/2018	Camello	A47F 3/02
D836,954	S *	1/2019	Turner	D6/675
D837,579	S *	1/2019	Petersen	D6/702
10,178,909	B2 *	1/2019	Hardy	A47F 7/28
10,219,639	B2 *	3/2019	Howard	A47F 5/005
10,285,510	B2 *	5/2019	Hardy	A47F 3/14
10,441,092	B2 *	10/2019	Hardy	A47F 1/126
10,448,756	B2 *	10/2019	Hardy	A47B 57/583
10,786,093	B2 *	9/2020	Pena	A47F 5/005
D909,106	S *	2/2021	Maager	D6/702
D909,107	S *	2/2021	Maager	D6/702
10,952,546	B2 *	3/2021	Hardy	A47F 1/126
11,045,017	B2 *	6/2021	Padvoiskis	A47F 5/0807
2003/0057167	A1 *	3/2003	Johnson	A47F 1/126 211/59.3
2003/0136750	A1 *	7/2003	Fujii	A47F 5/0093 211/90.02
2006/0186065	A1 *	8/2006	Ciesick	A47F 1/04 211/59.3
2007/0068885	A1 *	3/2007	Busto	A47F 1/125 211/59.3
2008/0257842	A1 *	10/2008	Mason	A47F 1/126 211/133.6
2009/0039040	A1 *	2/2009	Johnson	A47F 5/0025 211/120
2010/0107670	A1 *	5/2010	Kottke	A47F 3/14 62/250
2015/0108074	A1 *	4/2015	Pichel	A47F 1/126 211/59.3
2015/0157141	A1 *	6/2015	Neumann	A47F 5/0037 211/59.2
2015/0164241	A1 *	6/2015	Nagel	A47F 1/125 211/59.3
2015/0366376	A1 *	12/2015	Filippini	A47F 7/0007 211/59.3

* cited by examiner

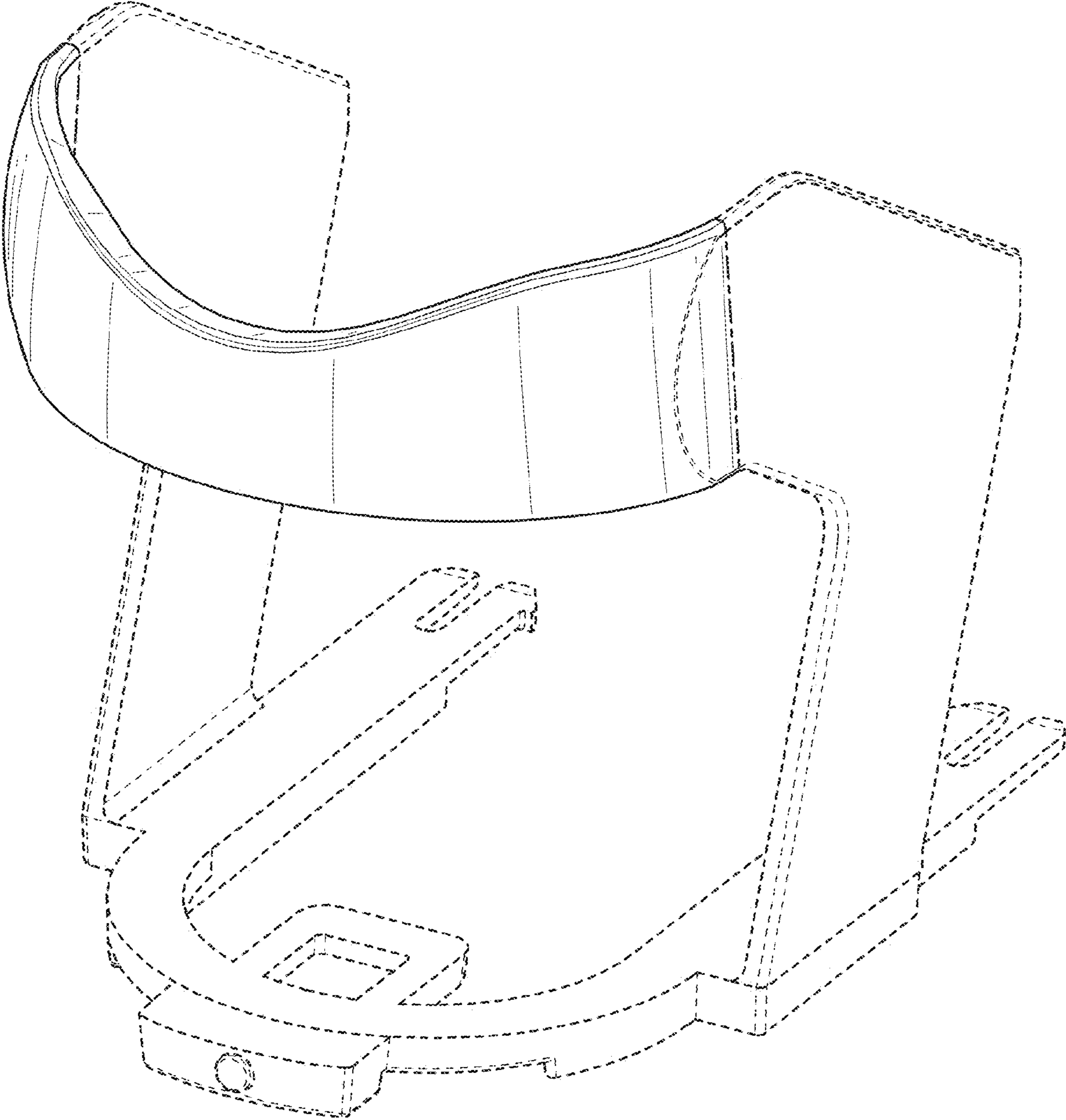


FIG. 1

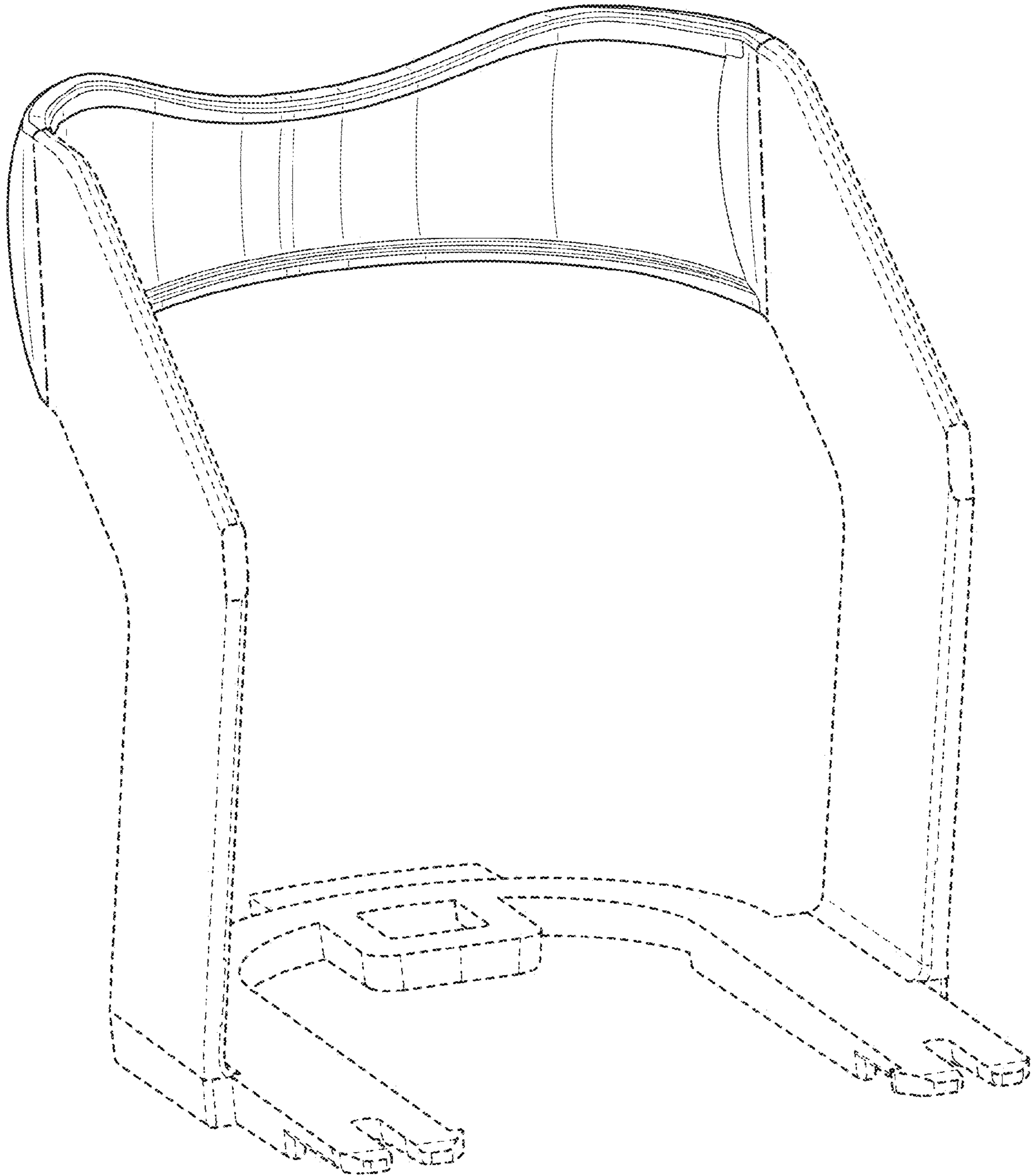


FIG. 2

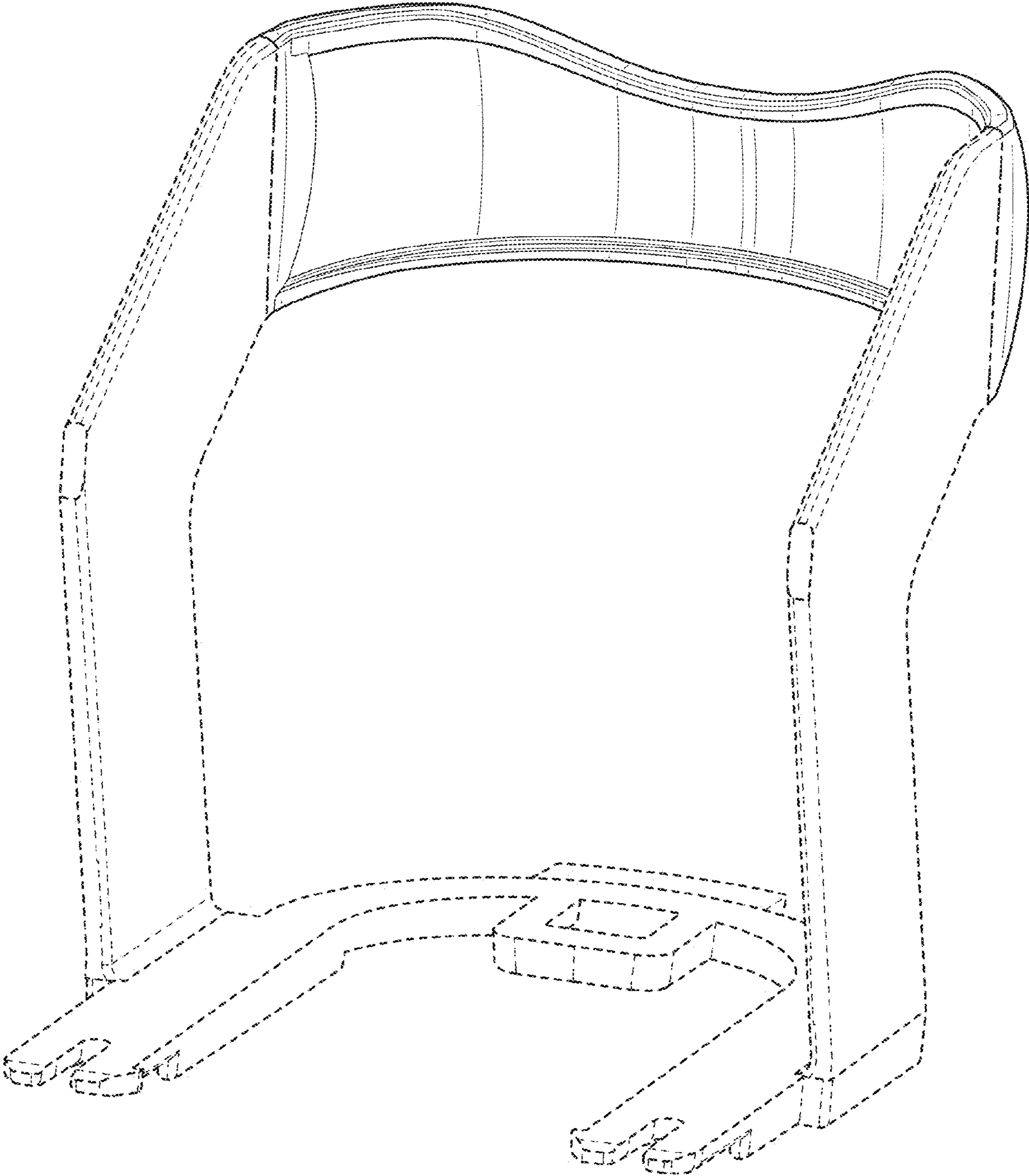


FIG. 3

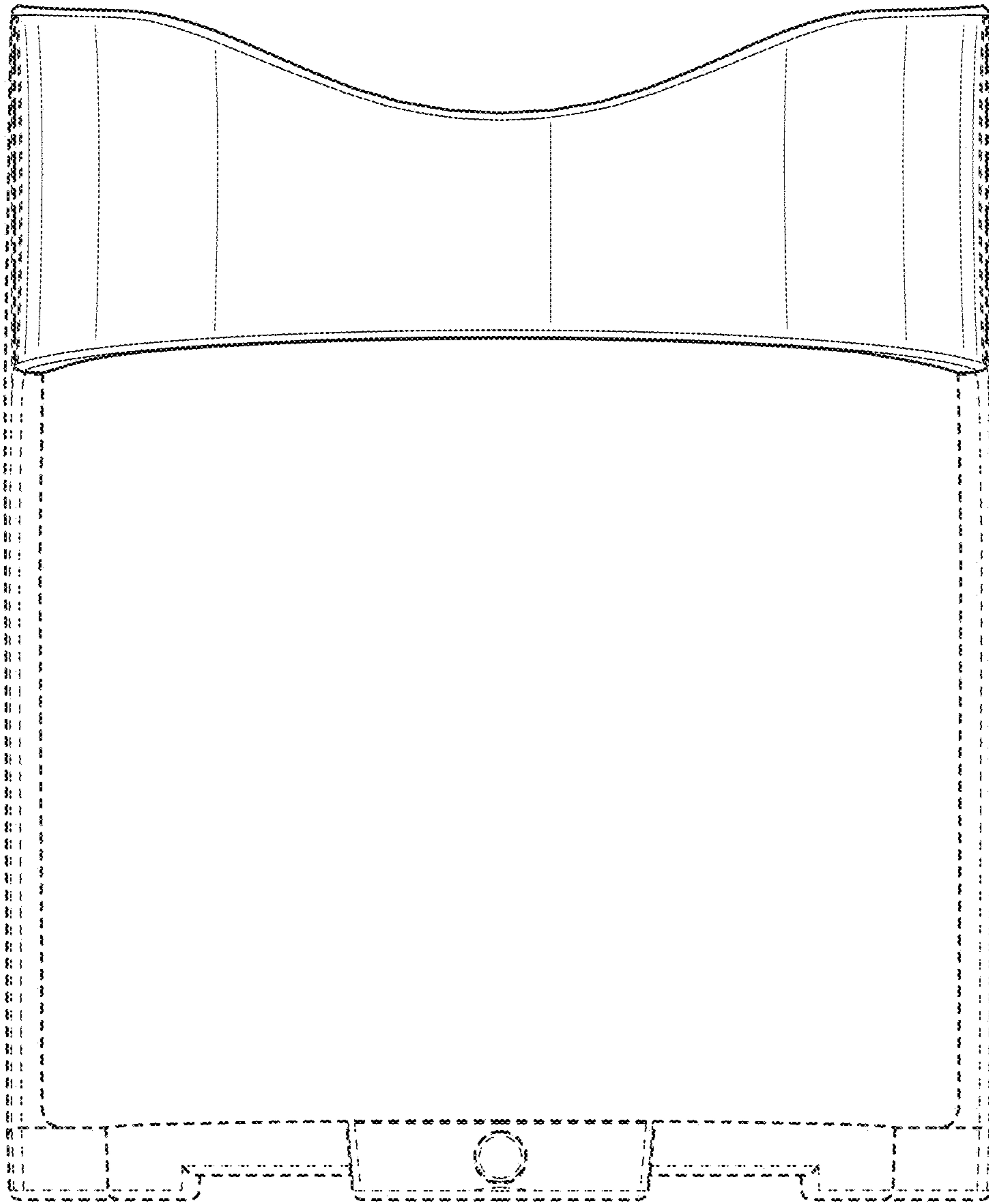


FIG. 4

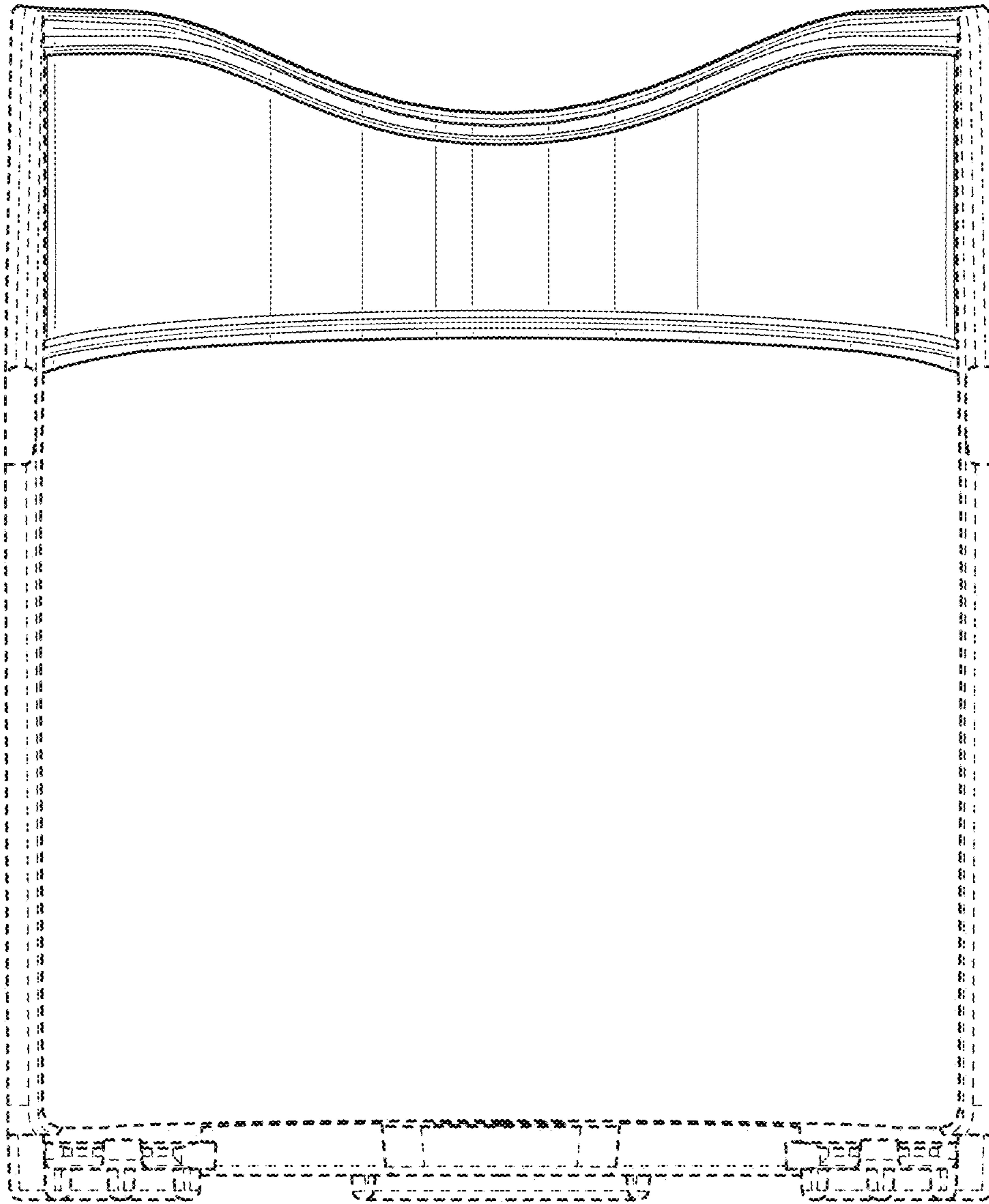


FIG. 5

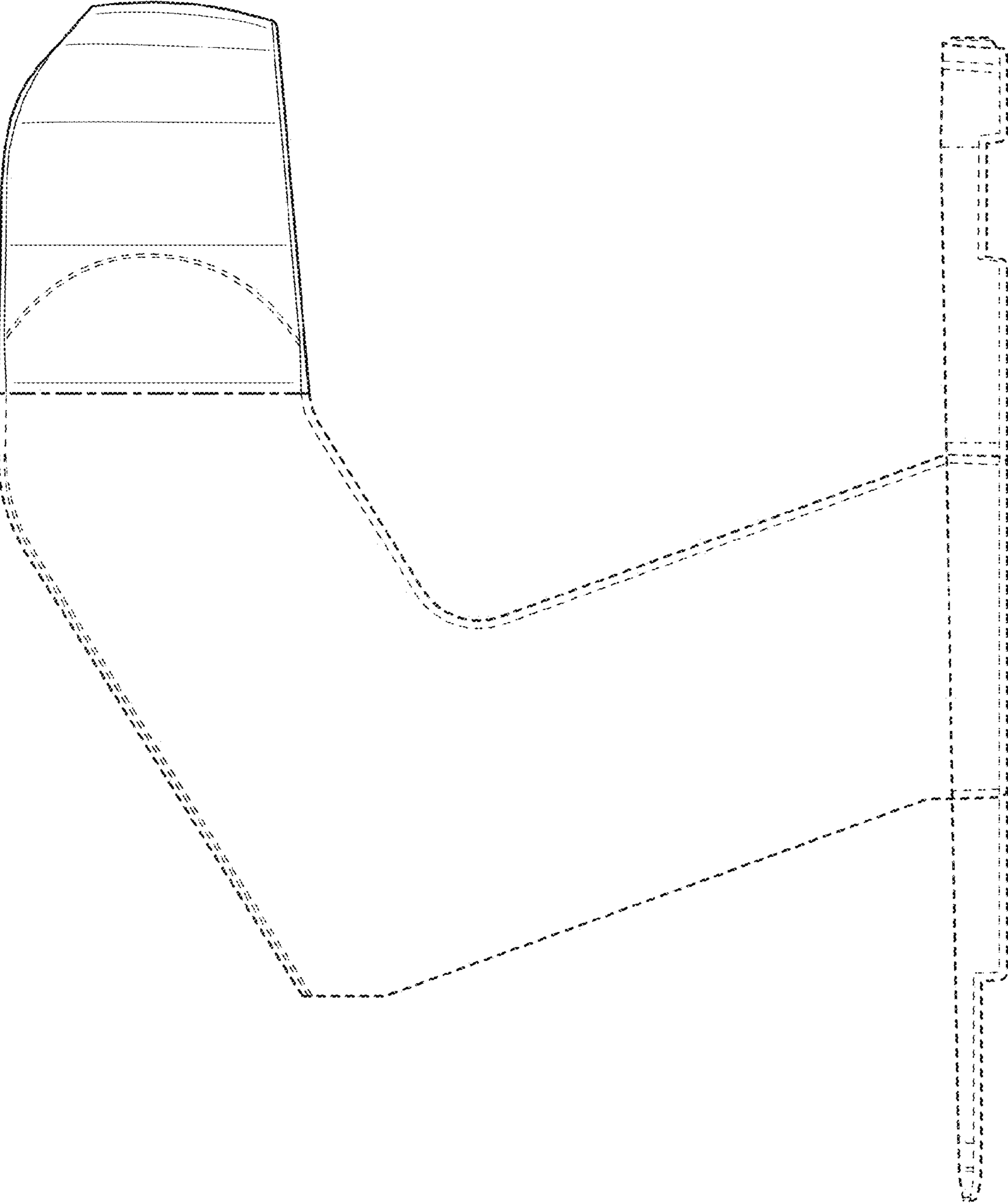


FIG. 6

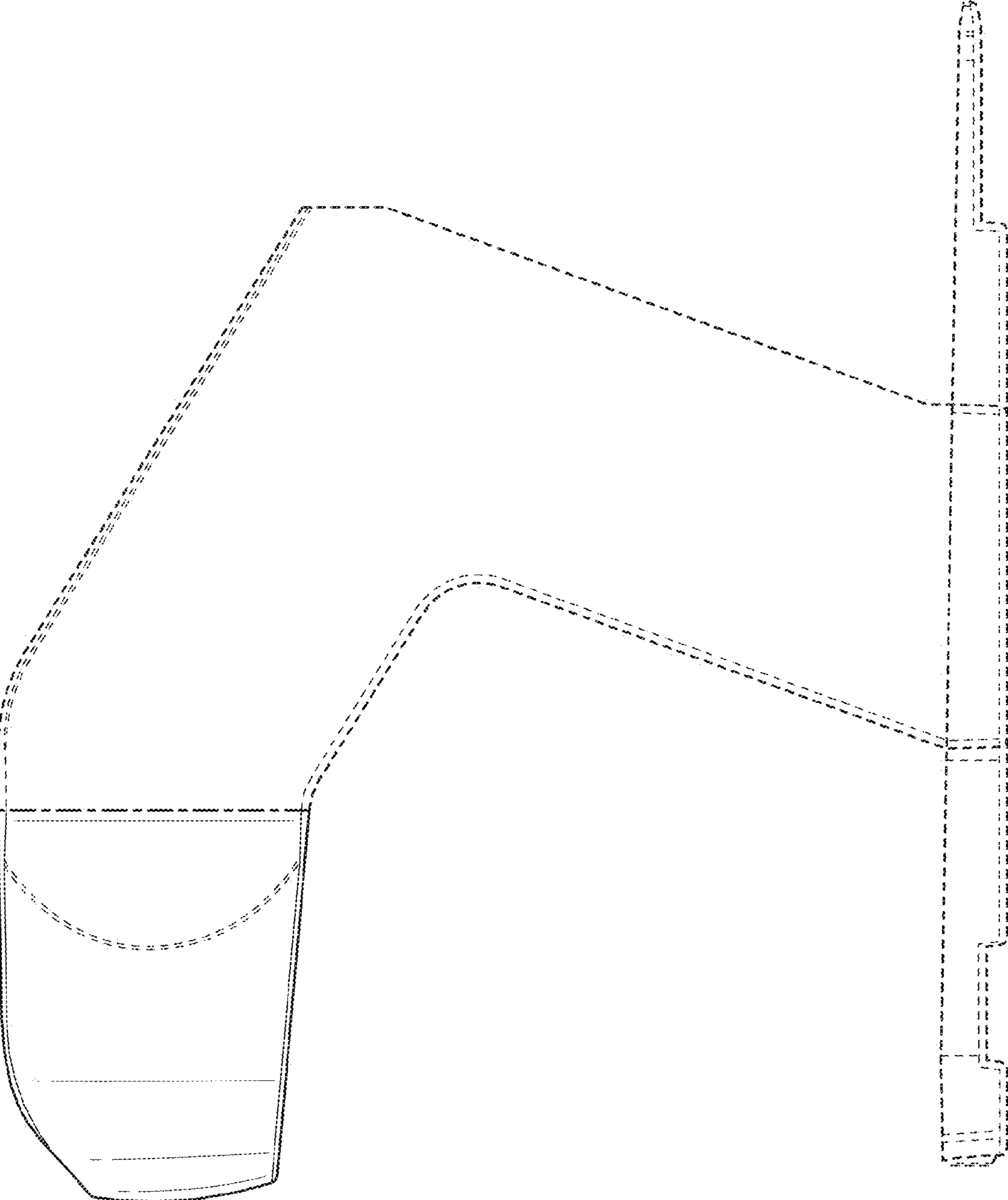


FIG. 7

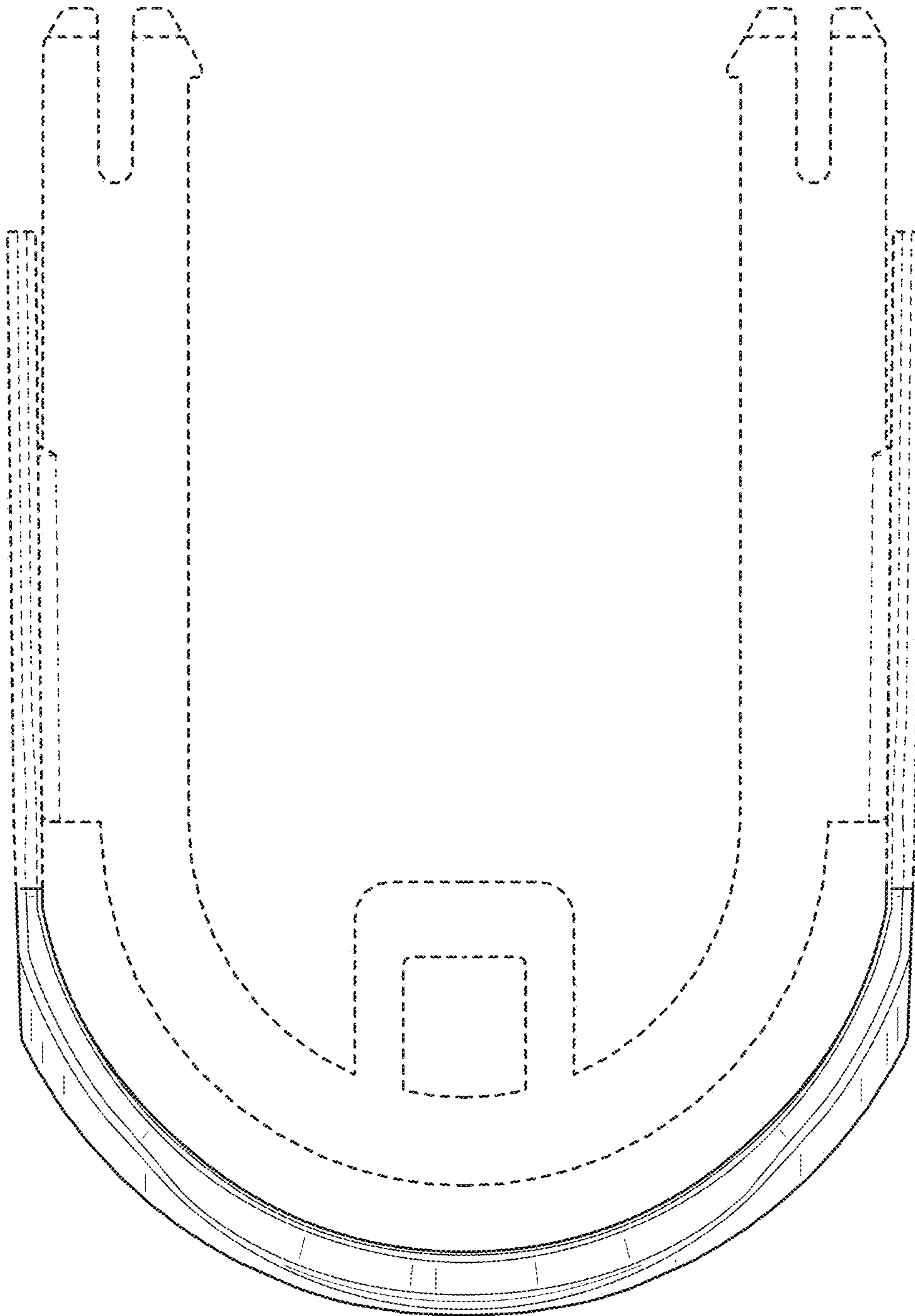


FIG. 8

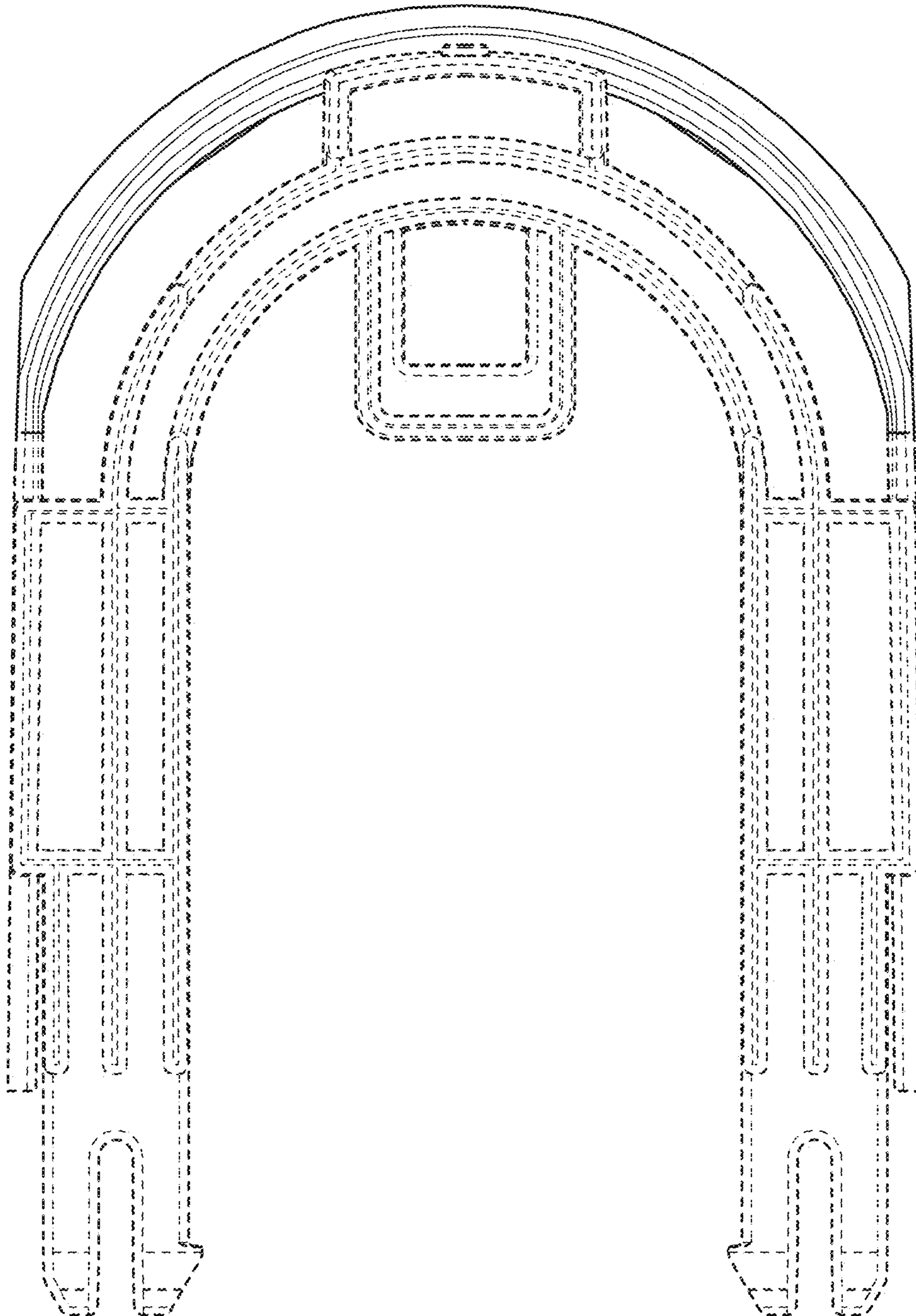


FIG. 9

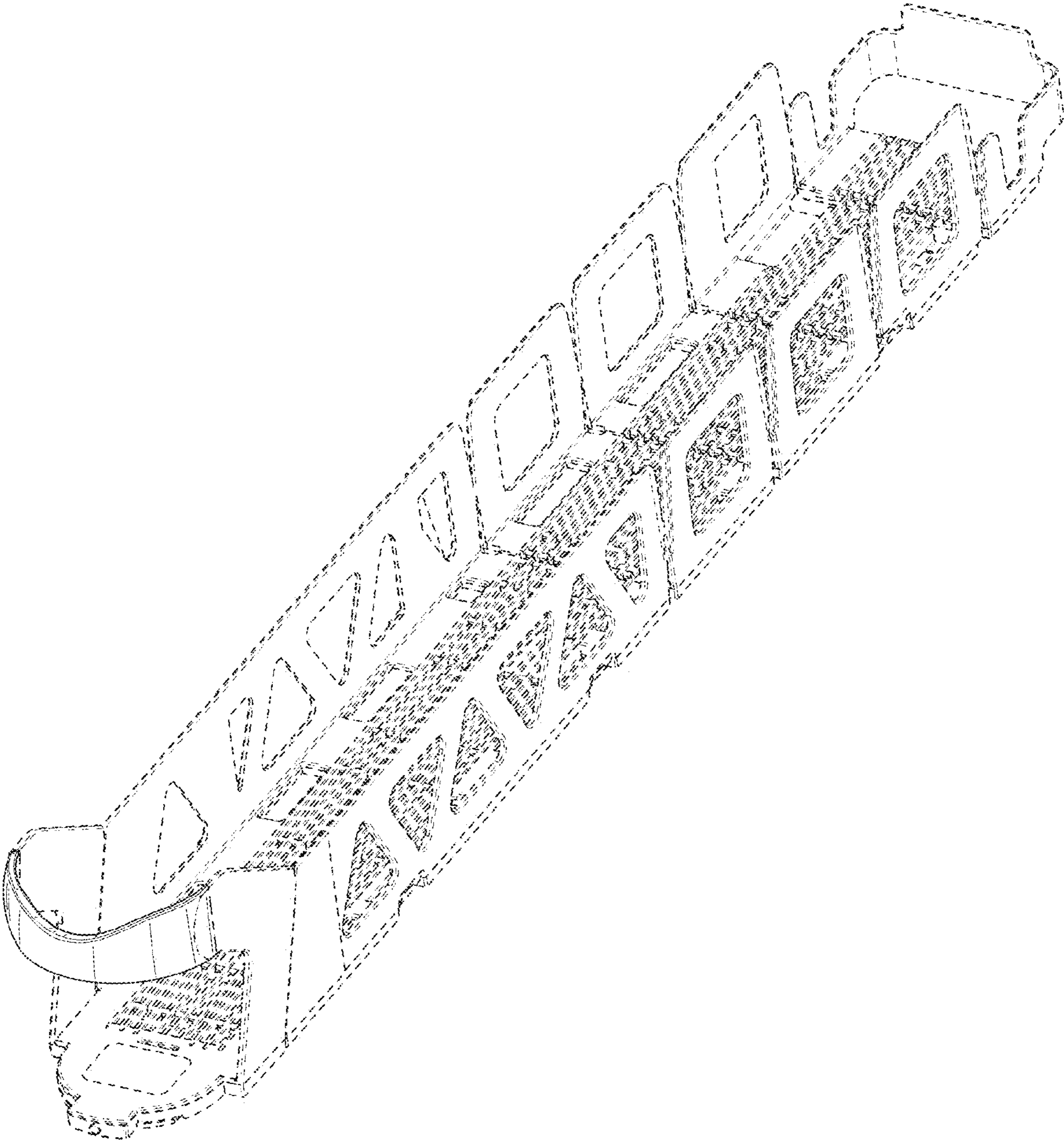


FIG. 10