



US00D952379S

(12) **United States Design Patent** (10) **Patent No.:** **US D952,379 S**
Ingels (45) **Date of Patent:** **** May 24, 2022**

(54) **TABLE**

(71) Applicant: **Skagerak Denmark A/S**, Aalborg (DK)

(72) Inventor: **Bjarke Ingels**, Valby (DK)

(73) Assignee: **Skagerak Denmark A/S**, Aalborg (DK)

(**) Term: **15 Years**

(21) Appl. No.: **29/733,435**

(22) Filed: **May 1, 2020**

(30) **Foreign Application Priority Data**

Nov. 1, 2019 (EM) 007162615-0007

(51) **LOC (13) Cl.** **06-03**

(52) **U.S. Cl.**
USPC **D6/691.1**

(58) **Field of Classification Search**

USPC D6/686, 690, 691, 691.3, 656.17, 691.1,
D6/691.5, 691.6, 692.1, 694.4, 695.1,
D6/692.4, 693.1, 695.4, 696.3
CPC .. A47B 3/00; A47B 3/002; A47B 3/08; A47B
3/0812; A47B 3/0818; A47B 3/0912;
A47B 2003/006; A47B 2003/0821; A47B
7/00; A47B 13/00; A47B 13/02; A47B
13/04; A47B 13/06; A47B 13/08; A47B
21/00; A47B 2200/0001; A47B
2200/0011; A47B 2200/002; A47B
2200/0035; A47B 2200/005; A47B 13/10;
A47B 13/12; A47B 17/00; A47B 17/003;
A47B 17/06; A47B 21/0314; A47B
2021/0307; A47B 2021/0321; A47B
2021/0335; A47B 2200/0003; A47B
2200/0004; A47B 47/0058; A47B 11/00;
A47B 3/06; A47B 7/0091; A47B 7/0025;
A47B 7/0058; A47B 7/0008

See application file for complete search history.

(56) **References Cited**

U.S. PATENT DOCUMENTS

1,287,444 A * 12/1918 Rudy A47B 3/087
108/36
D91,315 S * 1/1934 Brown D6/691.6
D145,947 S * 11/1946 Larson D6/691.6
D149,524 S * 5/1948 Sundberg D6/691.6
2,615,770 A * 10/1952 Curtis A47B 13/003
108/155

(Continued)

FOREIGN PATENT DOCUMENTS

GB 9007162615-0007 * 11/2019

OTHER PUBLICATIONS

Lilium Table by Skagerak, first available: Jun. 5, 2020. Yestersen.com [online], [site visited Dec. 1, 2021], Internet URL: <https://yestersen.com/es-es/lilium-table-160-cm-teak-by-big-bjarke-ingels-group-for-skagerak-480833> (Year: 2020).*

(Continued)

Primary Examiner — Steven J Czyz
Assistant Examiner — Hillary Catherine Shepard
(74) *Attorney, Agent, or Firm* — Dykema Gossett PLLC

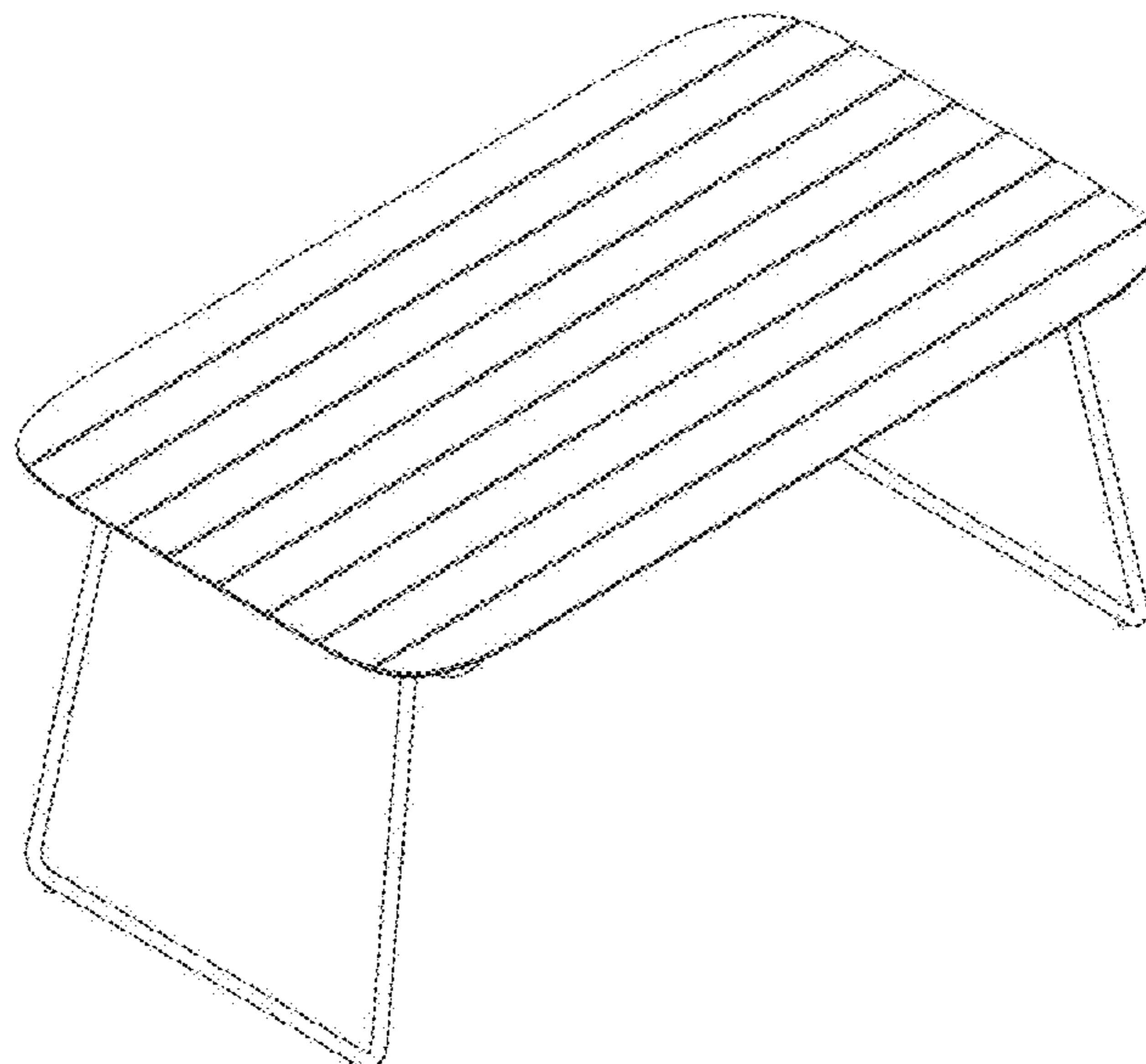
(57) **CLAIM**

The ornamental design for a table, as shown and described.

DESCRIPTION

FIG. 1 is a perspective view of a table;
FIG. 2 is a bottom perspective view thereof;
FIG. 3 is a front elevation view, the opposite side being a mirror image thereof;
FIG. 4 is a left side elevation view, the opposite side being a mirror image thereof;
FIG. 5 is a bottom plan view thereof; and,
FIG. 6 is top plan view thereof.

1 Claim, 4 Drawing Sheets



(56)

References Cited

U.S. PATENT DOCUMENTS

2,618,524 A * 11/1952 Hoffmann A47B 3/087
108/36
3,361,088 A * 1/1968 Hodgkin A47B 9/00
108/12
D210,606 S * 3/1968 Hamilton et al. D6/691.6
D286,479 S * 11/1986 Marchesini D6/691.5
D371,027 S * 6/1996 Skurman D6/709.2
D572,946 S * 7/2008 Bollen D6/691.6
D619,822 S * 7/2010 Damgaard-Sorensen
D6/406.1
D620,286 S * 7/2010 Carmon D6/691
8,042,475 B2 * 10/2011 Larcom A47B 3/0916
108/130
D705,556 S * 5/2014 Udagawa D6/349
D734,631 S * 7/2015 Velez D6/708.16
D757,471 S * 5/2016 Domingo D6/691
D758,113 S * 6/2016 Domingo D6/691
D772,621 S * 11/2016 Levy D6/691
D785,984 S * 5/2017 Atzmon D6/691
D811,142 S * 2/2018 Velez D6/708.16
D862,952 S * 10/2019 Davis D6/691

D878,122 S * 3/2020 Lee D6/691.2
D882,995 S * 5/2020 Wilcox D6/691.6
D920,023 S * 5/2021 Xu D6/709.2
D922,105 S * 6/2021 Pereira D6/656.19
11,083,283 B1 * 8/2021 Shyu A47B 13/02
D932,811 S * 10/2021 Li D6/644
2022/0007830 A1 * 1/2022 Ren A47B 3/06

OTHER PUBLICATIONS

Portable Picnic Table by AVAWING, first available: Apr. 6, 2021.
Amazon.com [online], [site visited Dec. 1, 2021], Internet URL: https://www.amazon.com/dp/B091TMX57W/ref=sspa_dk_detail_5 (Year: 2021).*

Beer Table by Qingdao Welhome Co., first available: unknown.
Alibaba.com [online], [site visited Dec. 1, 2021], Internet URL: https://www.alibaba.com/product-detail/cheap-solid-fir-wood-top-metal_60570747633.html (Year: 2021).*

Ocean Rectangular Table by Jorgen & Nanna Ditzel, first available: Jun. 27, 2019. Rypen.com [online], [site visited Dec. 1, 2021], Internet URL: <https://www.rypen.com/mater/ocean-table-large> (Year: 2019).*

* cited by examiner

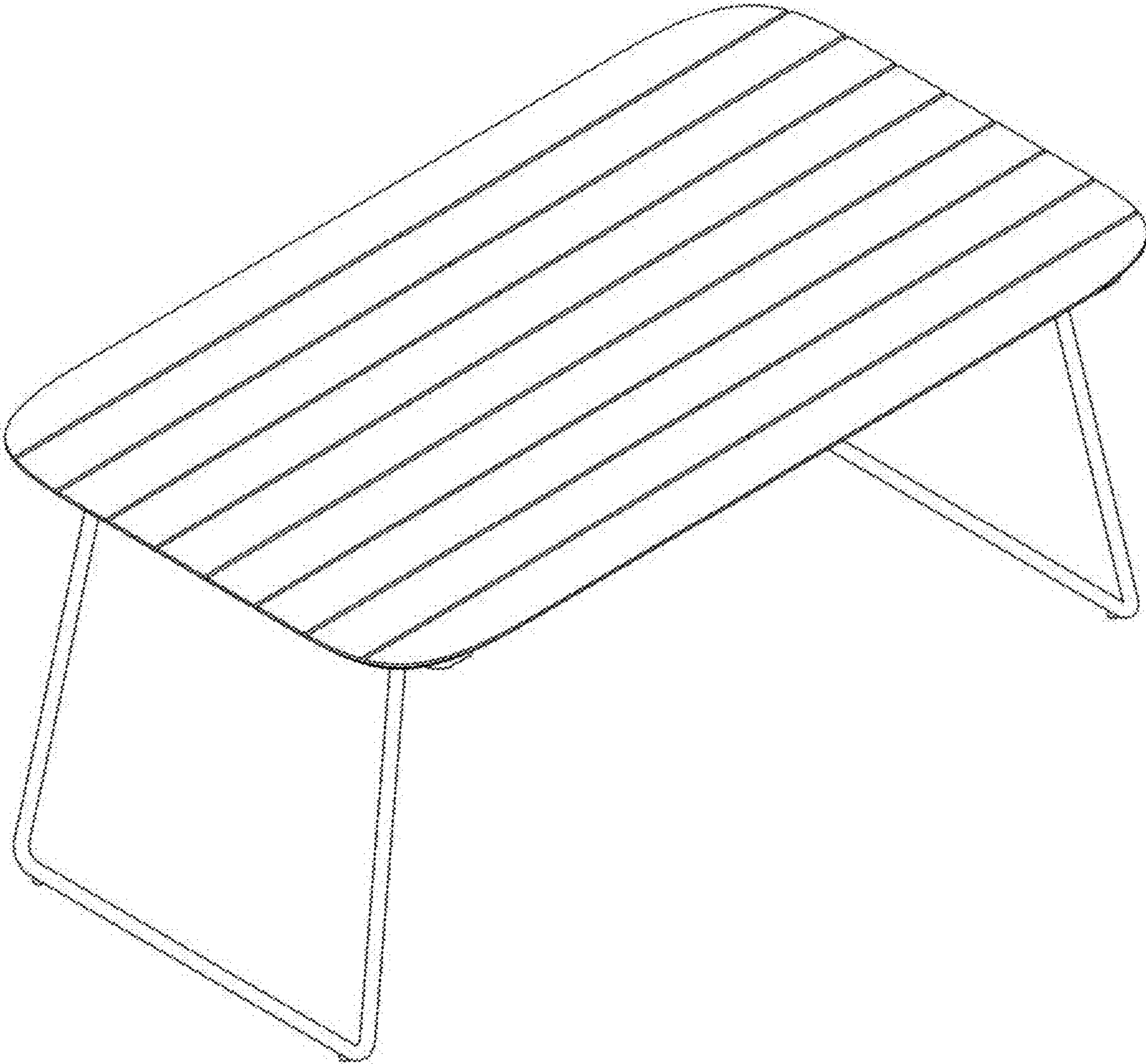


Fig. 1

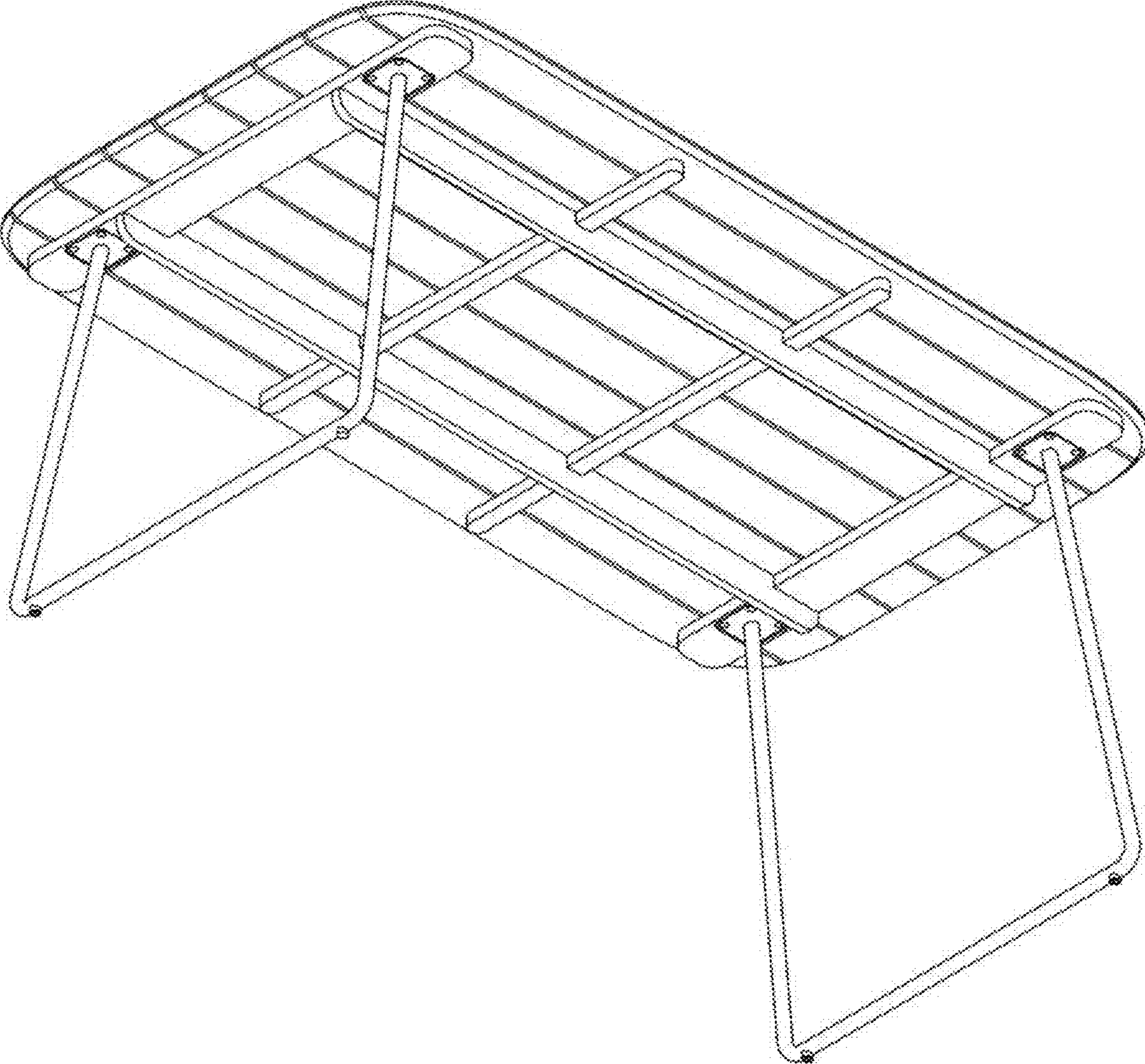


Fig. 2

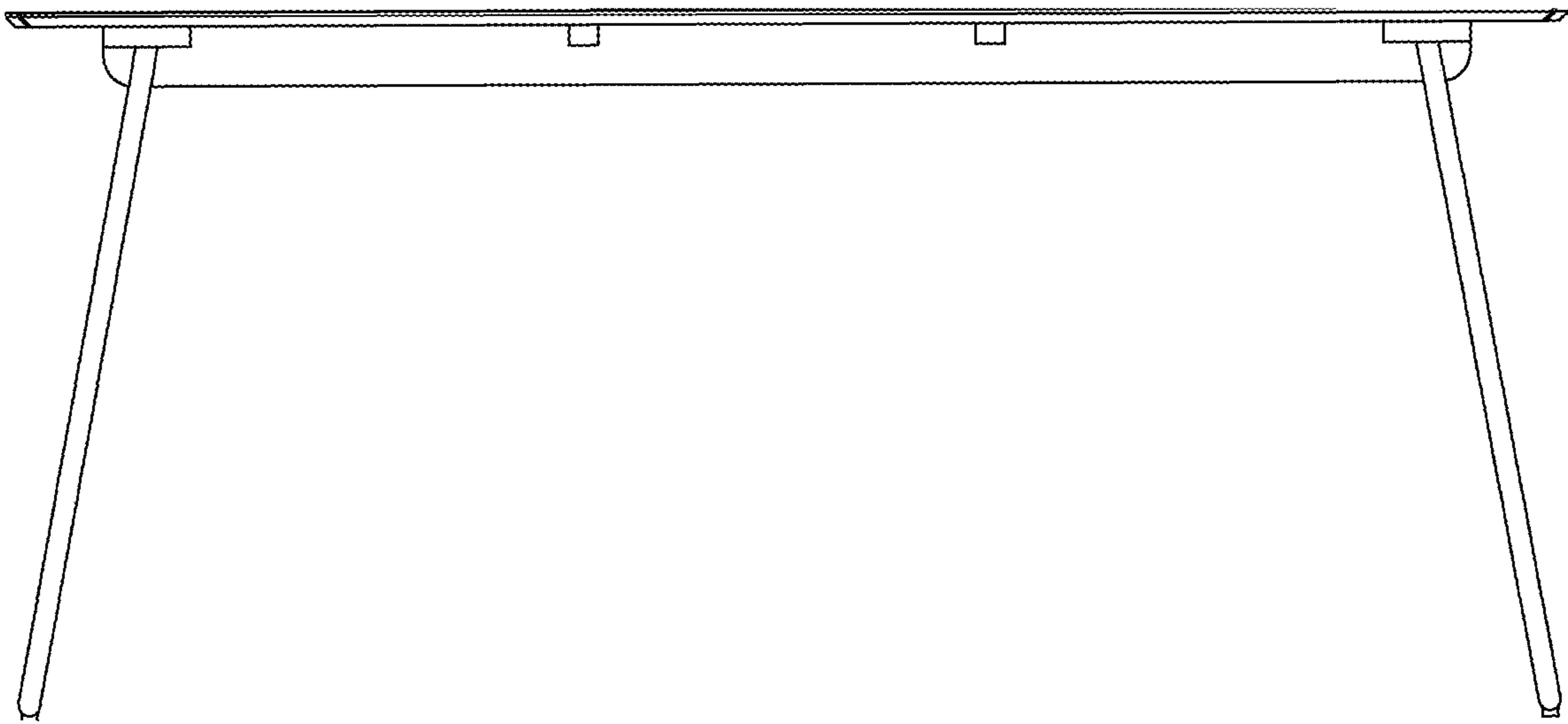


Fig. 3

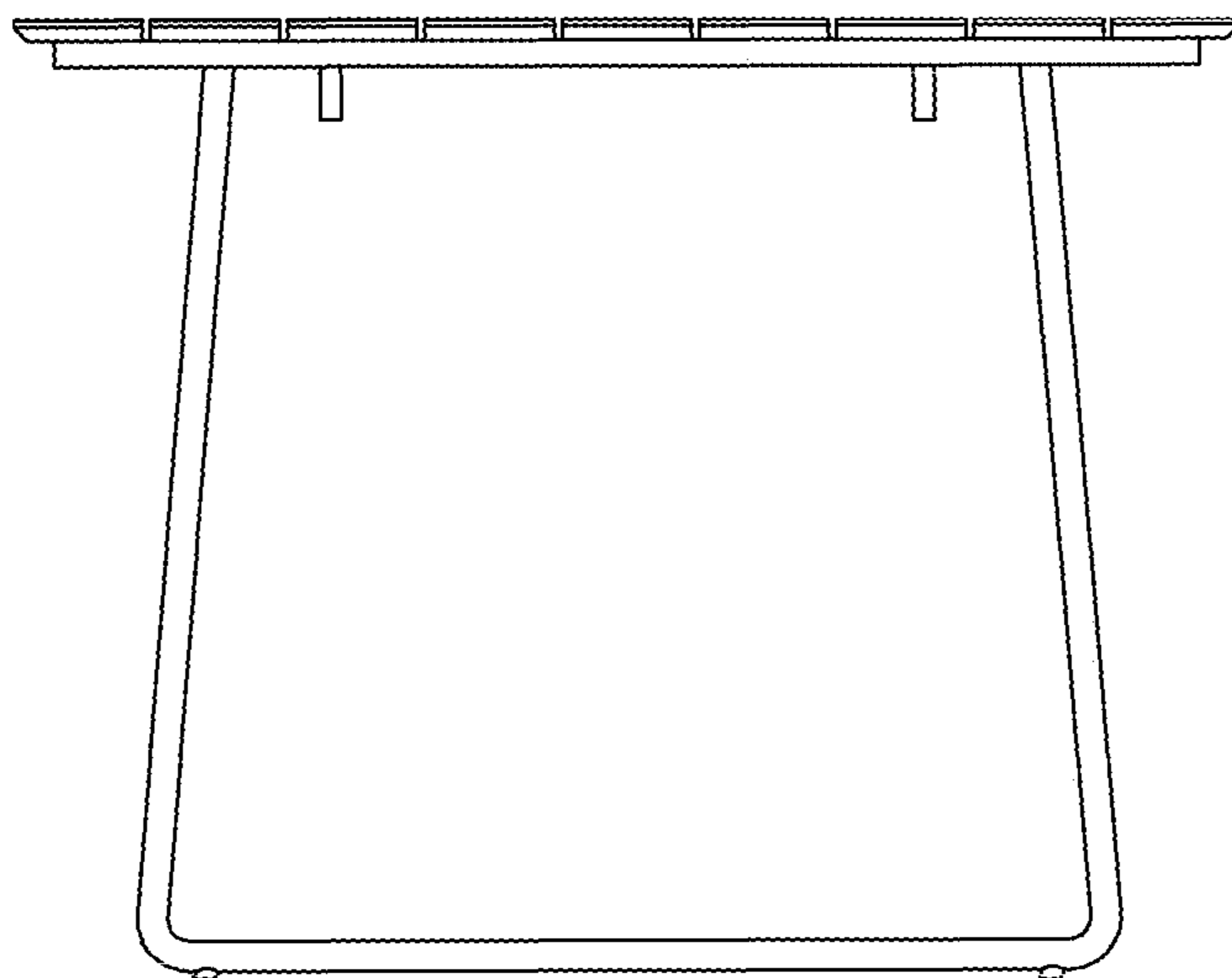


Fig. 4

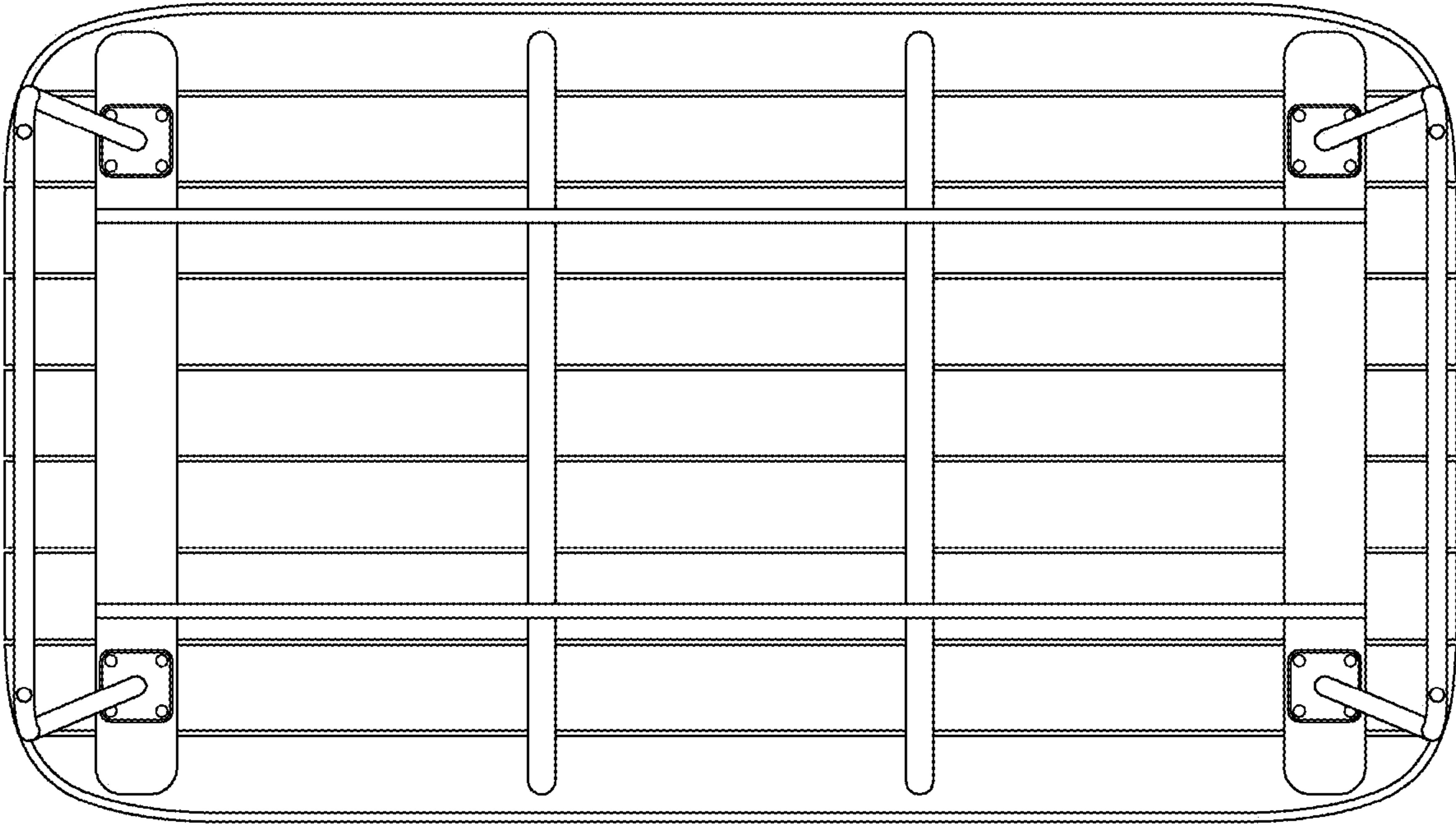


Fig. 5



Fig. 6