



US00D952374S

(12) **United States Design Patent**
Spiljaric

(10) **Patent No.:** **US D952,374 S**

(45) **Date of Patent:** **** May 24, 2022**

(54) **OFFICE SHELL**

(71) Applicant: **DizzConcept d.o.o.**, Carlsbad, CA (US)

(72) Inventor: **Darko Spiljaric**, Zagreb (HR)

(**) Term: **15 Years**

(21) Appl. No.: **29/747,973**

(22) Filed: **Aug. 26, 2020**

(51) **LOC (13) Cl.** **06-03**

(52) **U.S. Cl.**
USPC **D6/643**

(58) **Field of Classification Search**

USPC D6/714, 643, 699.3, 699.5, 332, 643.1,
D6/336, 362, 644, 656, 641, 651, 713,
D6/329, 642; D23/305; D25/58
CPC .. E04H 1/12; E04H 1/00; A47B 87/00; A47B
2200/0071; A47B 2200/01; A47B
2200/0066; A47B 2200/17; A47B 96/04;
A47B 96/02; A47B 2220/02; E04B 51/00;
E04B 2/72; E04B 2/7416; E04B 2/04
See application file for complete search history.

(56) **References Cited**

U.S. PATENT DOCUMENTS

- 2,324,398 A * 7/1943 Kahr A47G 5/00
160/113
- 3,996,706 A * 12/1976 Bomgaars E04H 15/34
52/82
- D302,362 S * 7/1989 Armstrong D25/16
- 5,282,341 A * 2/1994 Baloga A47B 83/001
49/41
- D353,946 S * 1/1995 Fischer D25/58
- D354,407 S * 1/1995 Baloga D25/16
- D385,044 S * 10/1997 Johnson D25/58
- 6,248,014 B1 * 6/2001 Collier A47C 7/72
454/228
- 6,474,025 B1 * 11/2002 Faiks A47B 21/00
52/36.1
- 6,681,532 B1 * 1/2004 Palmboos E04B 2/7422
160/135

- D530,104 S * 10/2006 Saffell D6/332
- D536,540 S * 2/2007 Partridge D6/332
- D538,060 S * 3/2007 Golino D6/643
- D659,428 S * 5/2012 Nicolas D6/644
- D677,477 S * 3/2013 Agati D6/336

(Continued)

FOREIGN PATENT DOCUMENTS

- EM 007539341-002 * 2/2020
- EM 007539341-0002 * 2/2020
- EM 007539341-0003 * 2/2020

OTHER PUBLICATIONS

Air3 by Orangebox, first available Jul. 13, 2018. Youtube.com [online], [site visited Oct. 14, 2021], Internet URL: <https://www.youtube.com/watch?v=pPTwPZO1KgY> (Year: 2018).*

(Continued)

Primary Examiner — Steven J Czyz
Assistant Examiner — Hillary Catherine Shepard
(74) *Attorney, Agent, or Firm* — Eric Hanscom

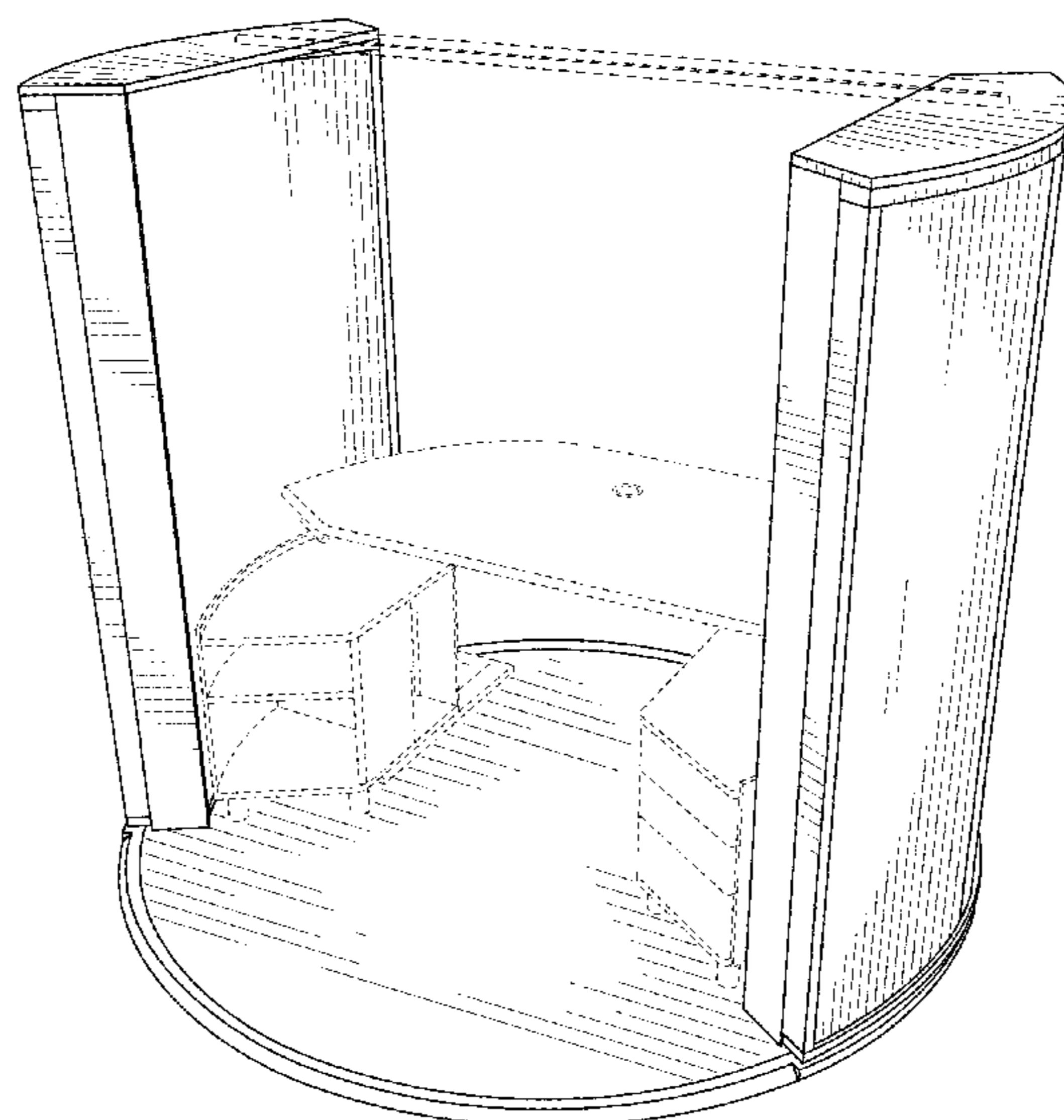
(57) **CLAIM**

The ornamental design for an office shell, as shown and described.

DESCRIPTION

FIG. 1 is a top perspective view of an office shell showing my new design in a closed state;
FIG. 2 is a top perspective view of an office shell shown in an open state;
FIG. 3 is a front perspective view of an office shell shown in an open state; and,
FIG. 4 is a top perspective view of an office shell shown in a closed state.
The broken lines depict portions of the article that form no part of the claimed design.

1 Claim, 4 Drawing Sheets



(56)

References Cited

U.S. PATENT DOCUMENTS

8,683,697 B2 * 4/2014 Gaigler F03G 7/05
29/897.32
D727,042 S * 4/2015 Wagner D6/338
D748,281 S * 1/2016 Whitman D25/16
D761,576 S * 7/2016 Agati D6/338
9,403,400 B2 * 8/2016 McManus A47B 97/04
D785,374 S * 5/2017 Holbrook D6/643
D789,711 S * 6/2017 Holbrook D6/643
D791,513 S * 7/2017 Holbrook D6/643
D792,130 S * 7/2017 Poranen D6/643
D825,001 S * 8/2018 Henkel D20/10
D829,450 S * 10/2018 Manente D6/332
10,159,342 B2 * 12/2018 Gaschy A47B 83/023
10,174,515 B1 * 1/2019 Krivens A47B 83/02
D850,129 S * 6/2019 Webb D6/338
D850,130 S * 6/2019 Webb D6/338
10,626,602 B2 * 4/2020 Holbrook E04B 2/78
D895,987 S * 9/2020 Lloyd D6/332
10,975,564 B2 * 4/2021 Watanabe E04B 1/40
2002/0189504 A1 * 12/2002 Johnson A47B 83/001
108/50.01
2002/0194792 A1 * 12/2002 Feldpausch F16M 11/425
52/36.1
2005/0016081 A1 * 1/2005 Gomree E04B 1/8218
52/36.1

2006/0283098 A1 * 12/2006 Golino A47B 87/00
52/36.1
2007/0271856 A1 * 11/2007 Ludwig A47B 83/00
52/36.1
2008/0016804 A1 * 1/2008 Ludwig A47C 11/00
52/249

OTHER PUBLICATIONS

Aria Acoustic Pod by Orangebox, first available Oct. 18, 2017. Back2.co.uk [online], [site visited Oct. 18, 2017], Internet URL: <https://www.back2.co.uk/orangebox-aria-acoustic-pod.html> (Year: 2017).*

Office Shell WIN by Dizz Concept, first available Oct. 22, 2020. Youtube.com [online], [site visited Oct. 14, 2021], Internet URL: <https://www.youtube.com/watch?v=uzyW99nPuvG> (Year: 2020).*

Office Shell by Dizz Concept, first available Jun. 4, 2020. Youtube.com [online], [site visited Nov. 12, 2021], Internet URL: <https://www.youtube.com/watch?v=OR2fNm86fPg> (Year: 2020).*

Office Shell BIO by Dizz Concept, first available 2020. archiproducts.com [online], [site visited Nov. 12, 2021], Internet URL: https://www.archiproducts.com/en/products/dizzconcept/office-workstation-office-booth-officeshell-bio_452270 (Year: 2020).*

Office Shell by Dizz Concept, first available May 3, 2021. Yankodesign.com [online], [site visited Oct. 14, 2021], Internet URL: <https://www.yankodesign.com/2021/05/03/this-r29etractable-office-solution-provides-privacy-and-isolation-for-remote-work-and-wfh-days/> (Year: 2021).*

* cited by examiner

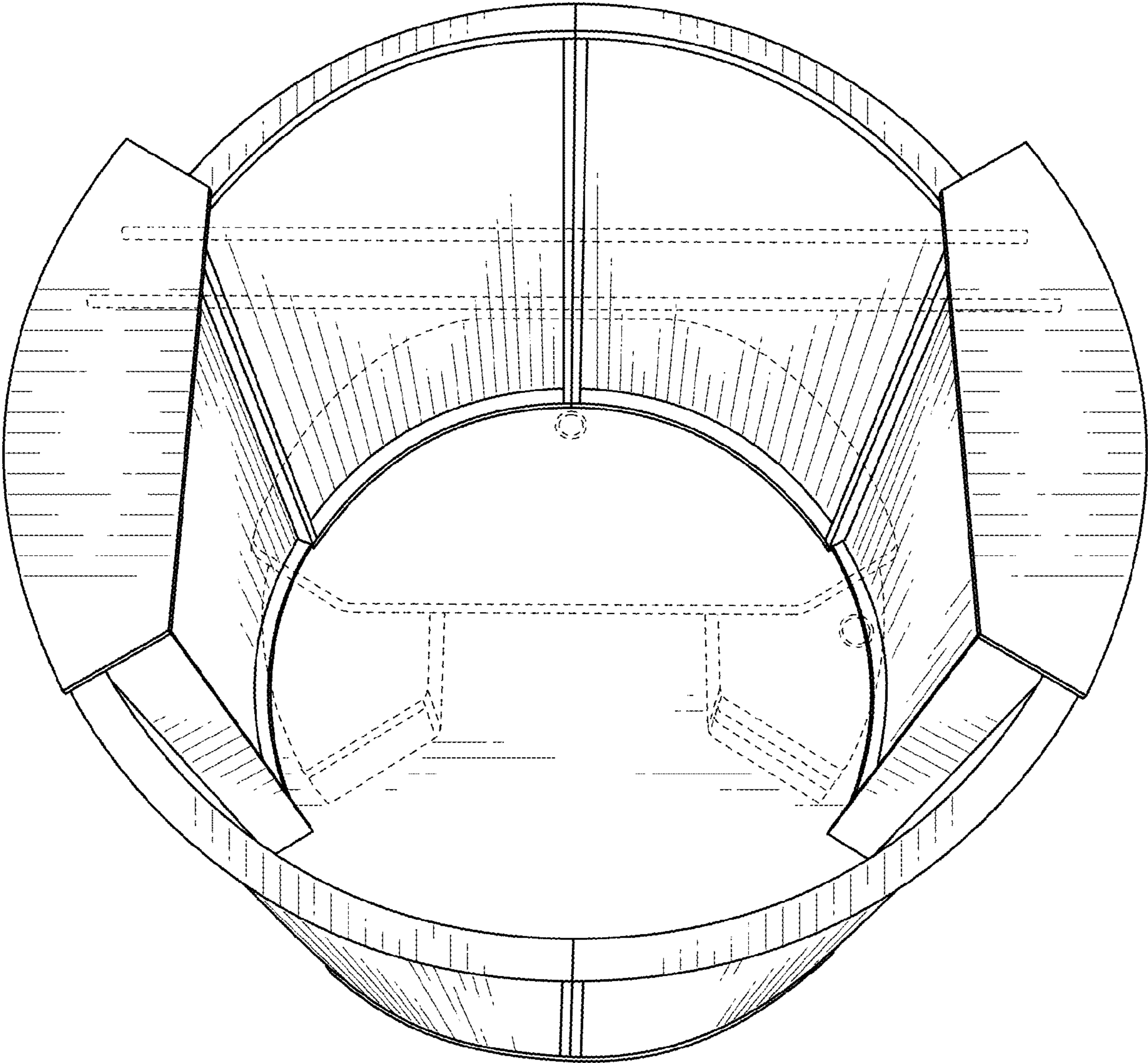


FIG. 1

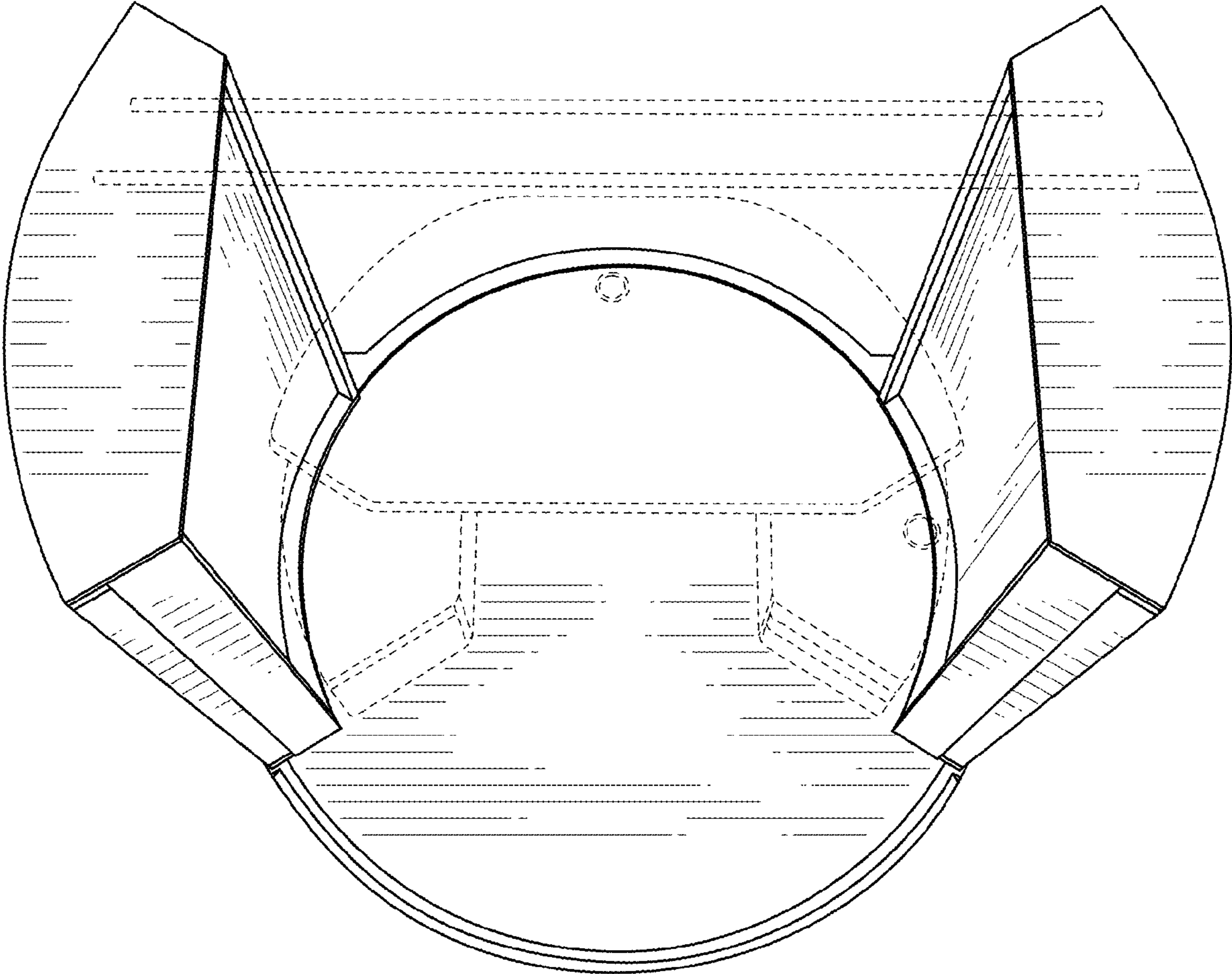


FIG. 2

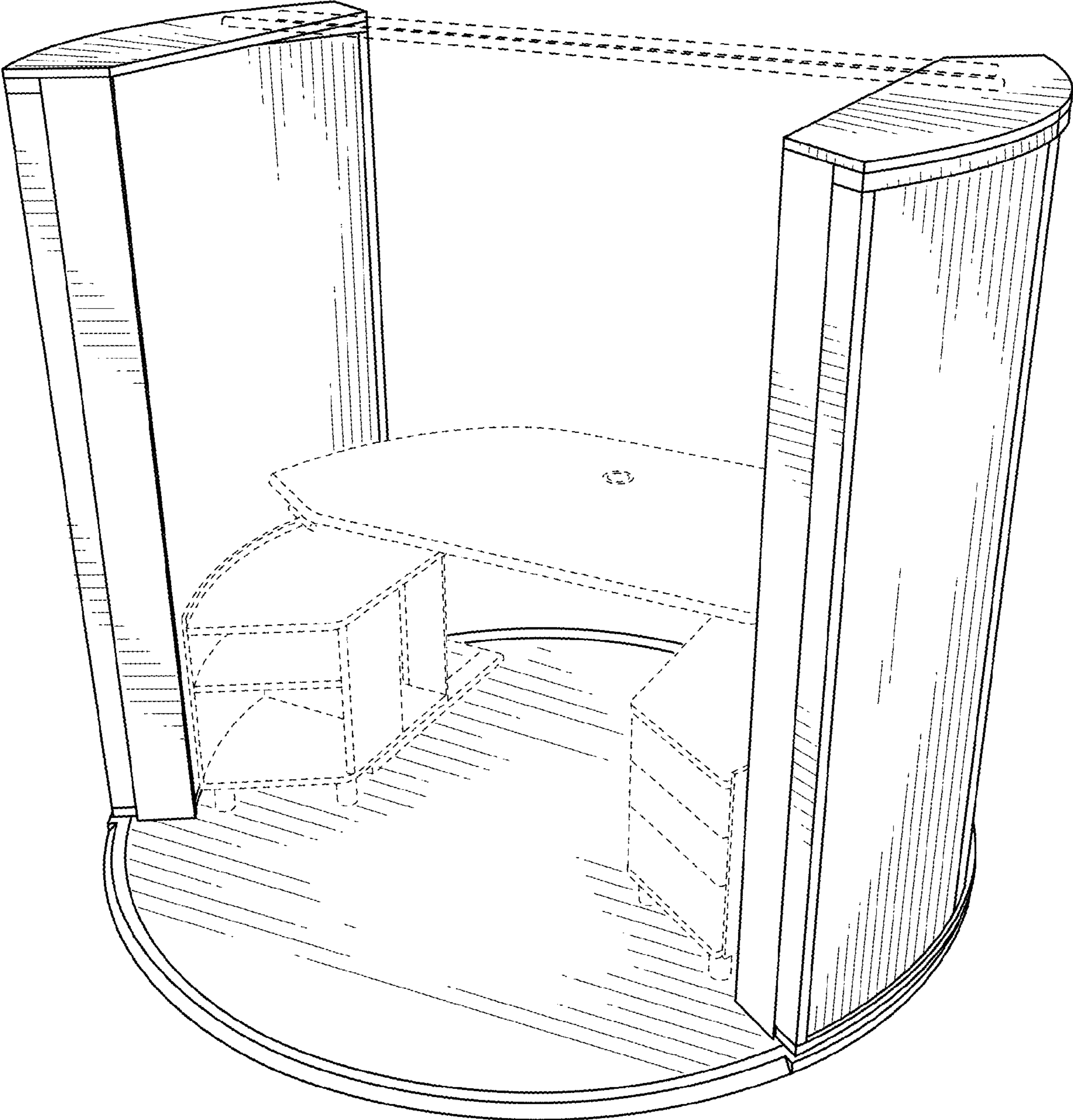


FIG. 3

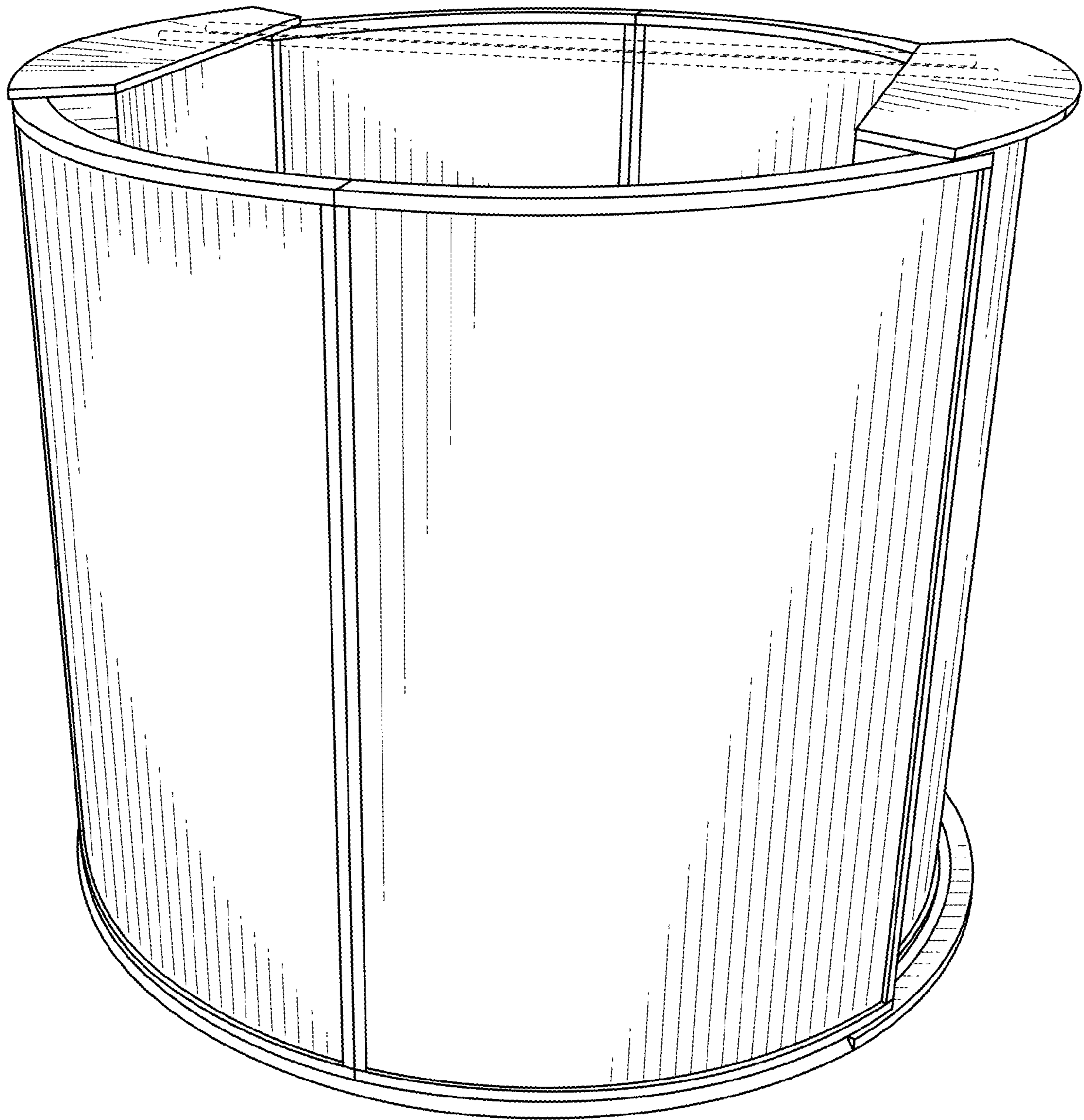


FIG. 4