



US00D952371S

(12) **United States Design Patent** (10) **Patent No.:** **US D952,371 S**
Szparski (45) **Date of Patent:** **** May 24, 2022**

(54) **MEDICAL PILLOW**
(71) Applicant: **OMST, LLC**, Sunrise, FL (US)
(72) Inventor: **Olivia Szparski**, Fort Lauderdale, FL (US)
(**) Term: **15 Years**
(21) Appl. No.: **29/772,988**
(22) Filed: **Mar. 5, 2021**
(51) **LOC (13) Cl.** **06-09**
(52) **U.S. Cl.**
USPC **D6/601**
(58) **Field of Classification Search**
USPC D6/595, 596, 597, 600, 601, 603, 604, D6/605, 606, 608, 522, 546, 582, 583; D24/183, 185, 234; D21/803, 804, 805, D21/809, 439, 440
CPC A47G 2009/1018; A47G 2009/003; A47G 9/0253; A47G 9/10; A47G 9/1027; A47G 9/1036; A47G 9/1054; A47G 9/1063; A47G 9/1072; A47G 9/1081; A47G 9/109; A45F 4/06; A47C 21/06; A47C 7/18; A47C 20/00; A47C 17/80; A47C 17/82; A47C 17/64; A47C 27/00; A47C 27/14; A47C 23/00
See application file for complete search history.

5,015,036 A * 5/1991 Fergie A47C 7/383 297/391
D326,931 S * 6/1992 Tomsick D4/137
D330,989 S * 11/1992 Evans D6/601
5,472,395 A * 12/1995 Trocchio A63B 69/004 482/90
D369,391 S * 4/1996 Jump, Jr. D21/685
5,536,071 A * 7/1996 Kraftick A47C 16/02 297/423.41
D379,640 S * 6/1997 Gilbert D1/127
D406,486 S * 3/1999 Ogilvie D6/601
(Continued)

OTHER PUBLICATIONS

Carex Memory Foam Semi Roll Cushion and Bolster Pillow, Navy Blue, <https://www.walmart.com/ip/Carex-Memory-Foam-Semi-Roll-Cushion-and-Bolster-Pillow-Navy-Blue/10105198>, Publish Date Feb. 18, 2014.

Primary Examiner — Sanjeev Paul
(74) *Attorney, Agent, or Firm* — The Plus IP Firm; Derek Fahey, Esq.

(57) **CLAIM**

The ornamental design for a medical pillow, as shown and described.

DESCRIPTION

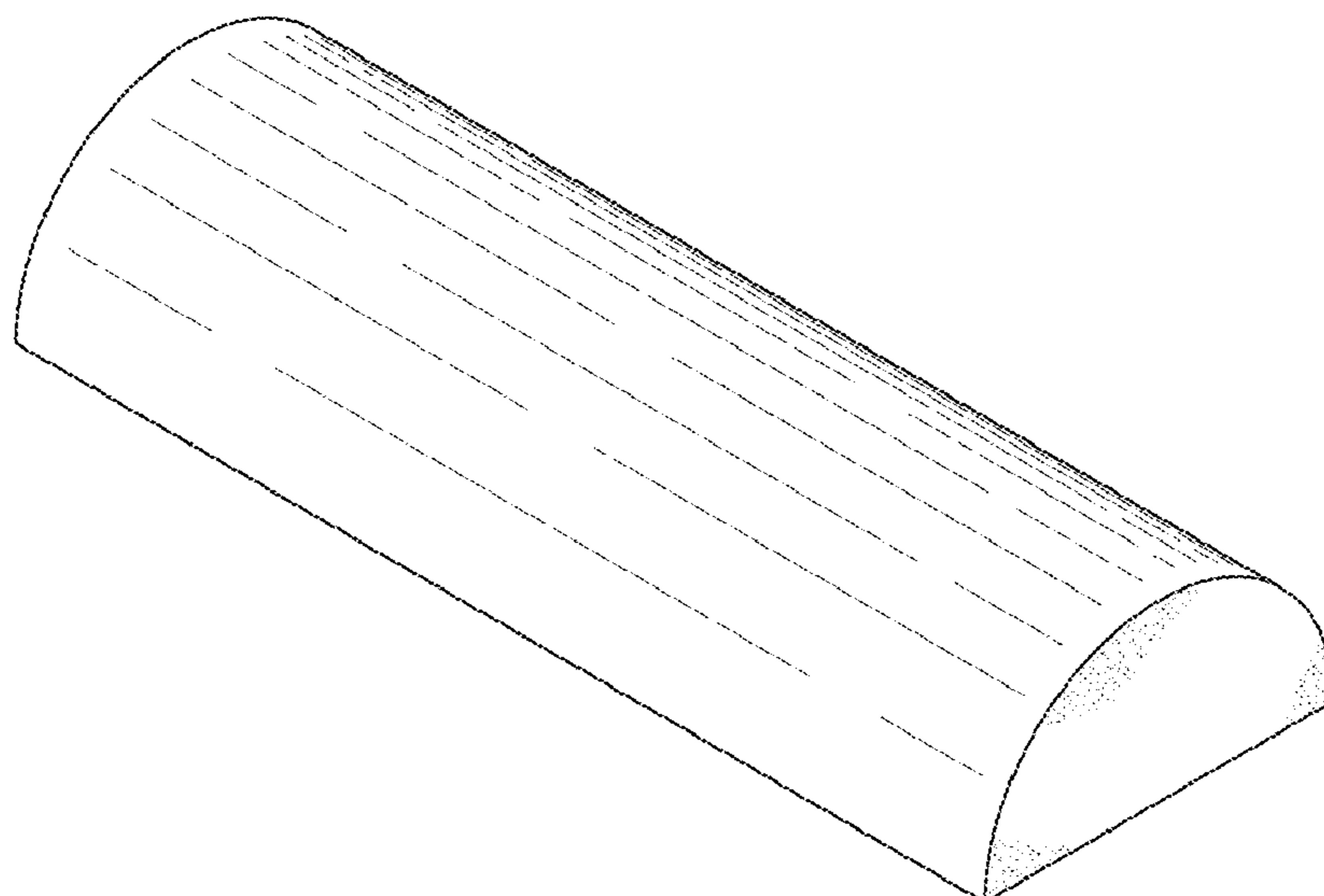
FIG. 1 is a top view of a medical pillow;
FIG. 2 is a front view of the medical pillow;
FIG. 3 is a back view of the medical pillow;
FIG. 4 is a first side view of the medical pillow;
FIG. 5 is a second side view of the medical pillow;
FIG. 6 is a front perspective view of the medical pillow; and,
FIG. 7 is a perspective view of the medical pillow positioned on a toilet.
The broken lines shown in FIG. 7 illustrating a toilet represent environmental subject matter and form no part of the claimed design.

1 Claim, 5 Drawing Sheets

(56) **References Cited**

U.S. PATENT DOCUMENTS

3,286,850 A * 11/1966 Ruhnke A47B 61/003 211/105.1
3,966,330 A * 6/1976 Ridler G11B 19/10 356/625
D249,182 S * 8/1978 Greer D19/59
D273,915 S * 5/1984 Pike D6/601
4,528,705 A 7/1985 Greenawalt
4,756,090 A 7/1988 Pedrow
4,924,246 A * 5/1990 Yamada H04N 5/2256 396/198



(56)

References Cited

U.S. PATENT DOCUMENTS

D420,465	S *	2/2000	Cascio	D28/8.1
6,112,635	A *	9/2000	Cohen	F41H 5/0414
					428/911
D439,447	S *	3/2001	Diekman	D6/687
D439,603	S *	3/2001	Laird	D17/99
D502,687	S *	3/2005	Sherman	D13/156
D651,369	S *	12/2011	Seliskar	D6/601
8,726,436	B2 *	5/2014	Wright	A47G 9/1081
					5/636
D732,314	S *	6/2015	Fux	D6/601
D741,962	S *	10/2015	Terrian	D21/686
9,775,451	B1 *	10/2017	Chon	A47G 9/10
D839,025	S *	1/2019	Casta-Báez	D6/601
10,426,279	B2	10/2019	Ibrahim		
D872,199	S *	1/2020	Krishock	D21/686
D880,628	S *	4/2020	McHenry	D21/686
D884,388	S *	5/2020	Jung	D6/601
D895,664	S	9/2020	Baber et al.		
D919,311	S *	5/2021	Jin	D6/601
D943,039	S *	2/2022	Lee	D21/691
2004/0139549	A1	7/2004	Mohrekesh et al.		
2014/0378283	A1 *	12/2014	Qiu	A61H 1/0296
					482/142

* cited by examiner

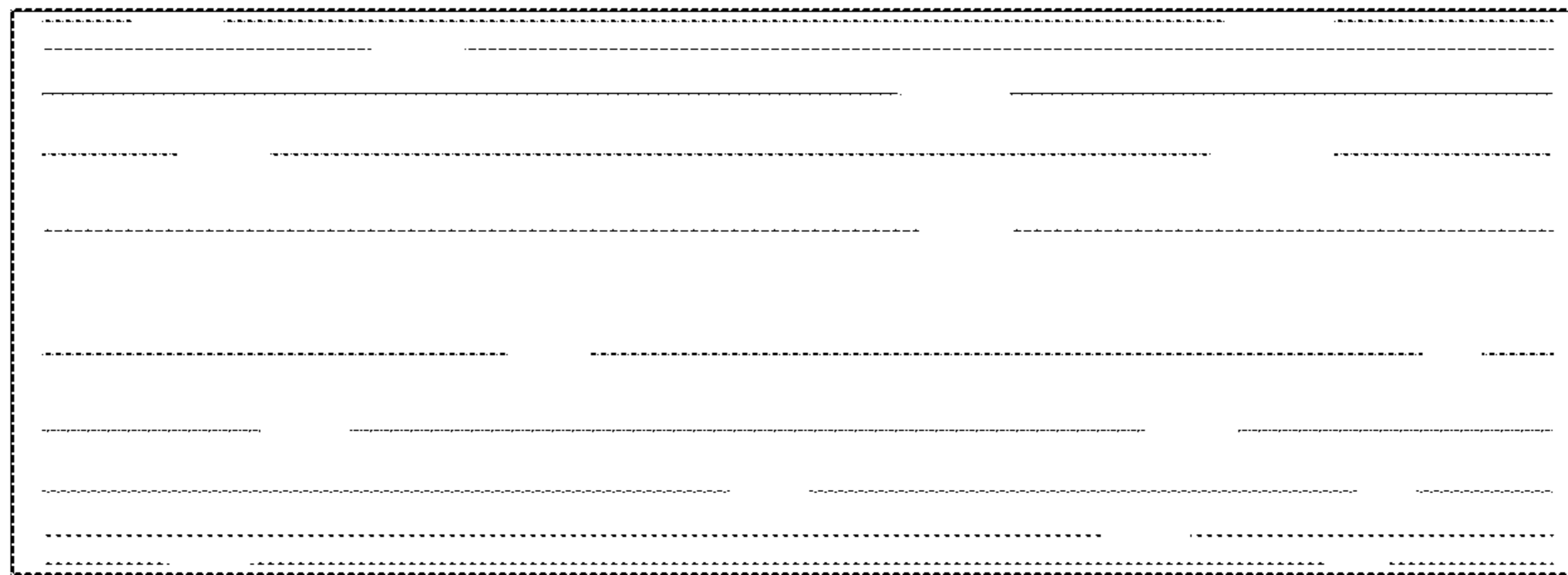


FIG. 1

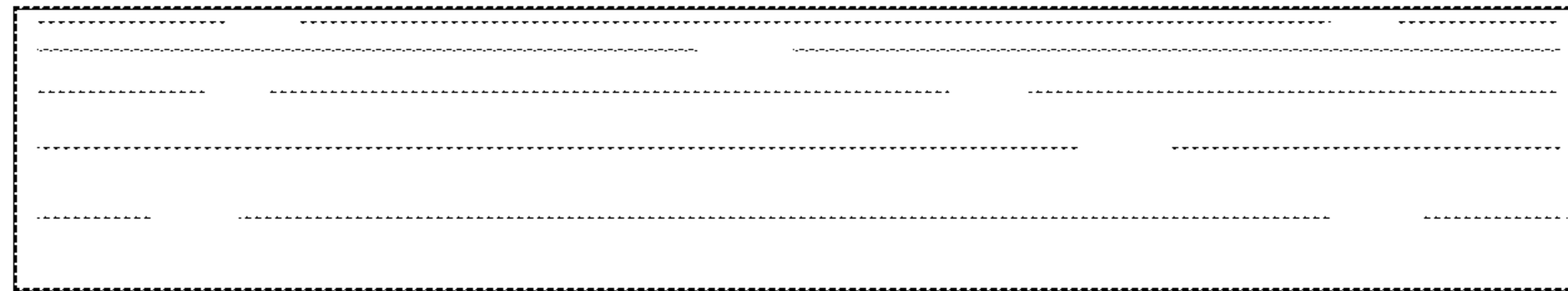


FIG. 2

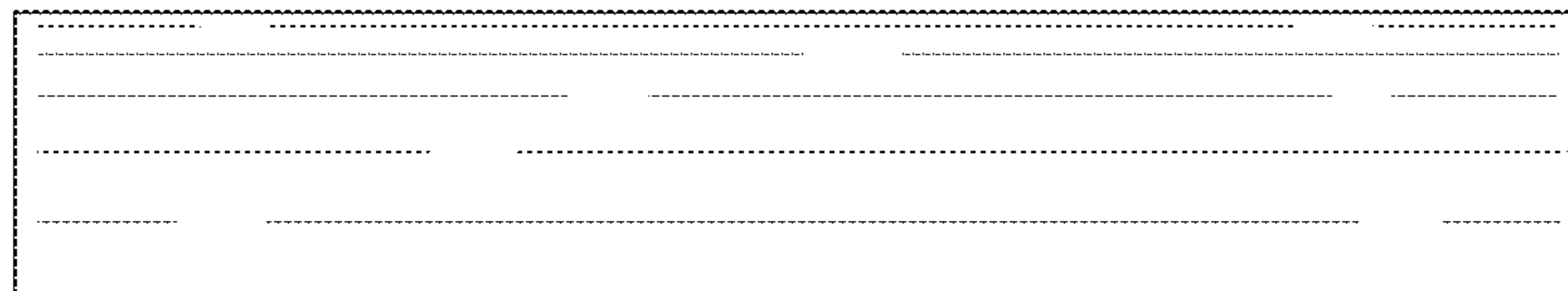


FIG. 3

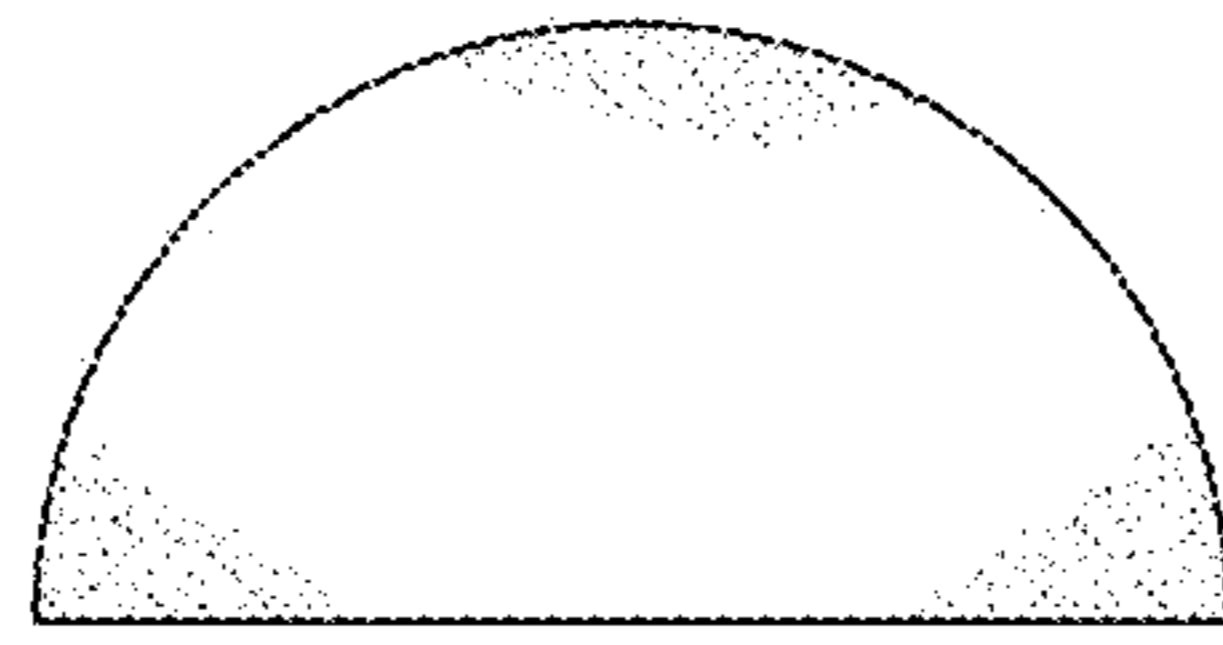


FIG. 4

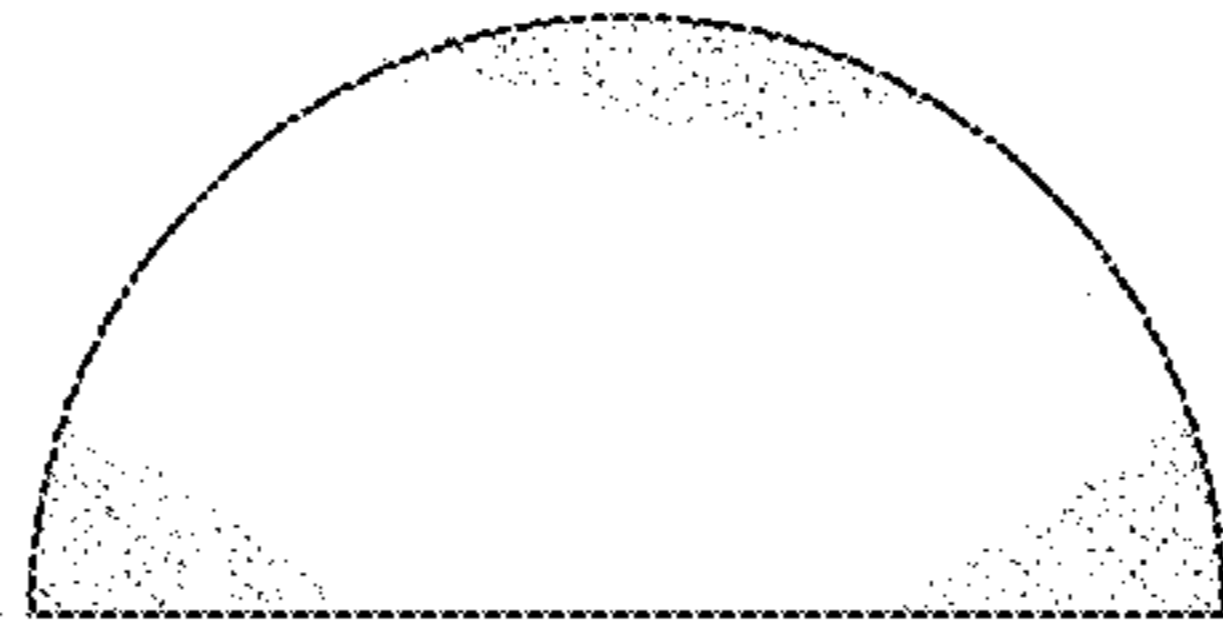


FIG. 5

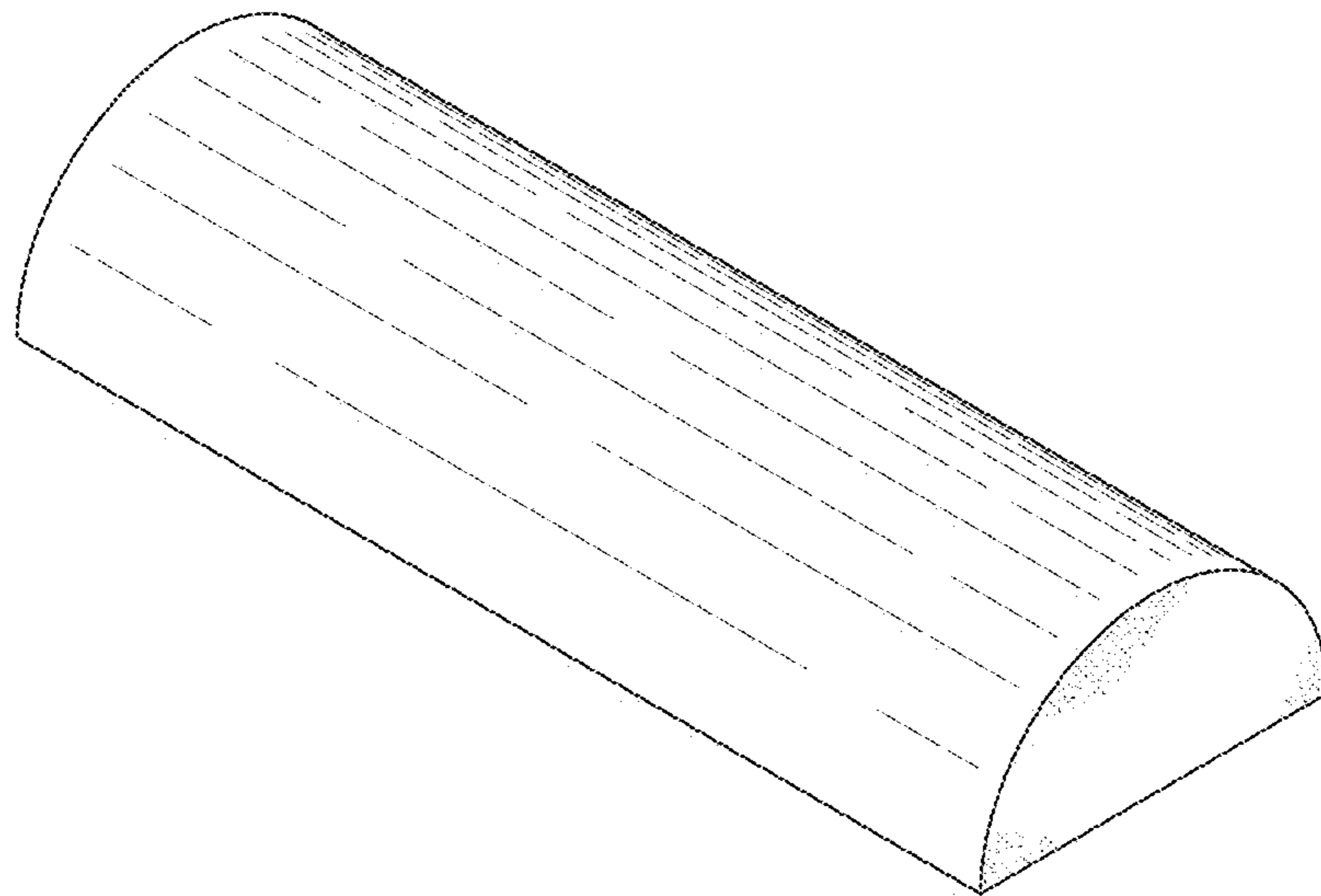


FIG. 6

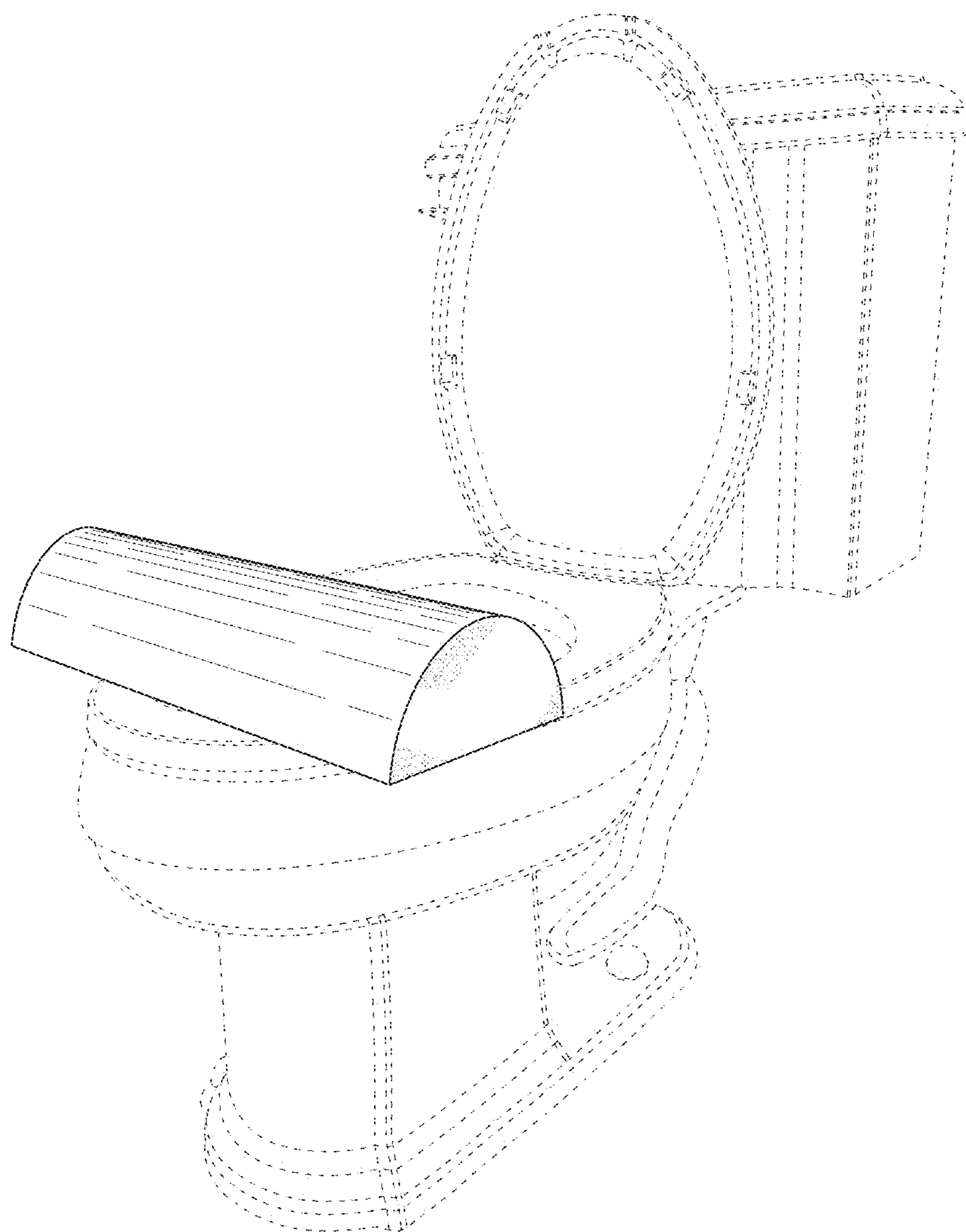


FIG. 7