



US00D952370S

(12) **United States Design Patent** (10) **Patent No.:** **US D952,370 S**
Cringus (45) **Date of Patent:** **** May 24, 2022**

(54) **BABY CHANGING MAT**
(71) Applicant: **Daniela Cringus**, Veldhoven (NL)
(72) Inventor: **Daniela Cringus**, Veldhoven (NL)
(**) Term: **15 Years**
(21) Appl. No.: **29/752,095**
(22) Filed: **Sep. 24, 2020**
(51) **LOC (13) Cl.** **06-09**
(52) **U.S. Cl.**
USPC **D6/596**
(58) **Field of Classification Search**
USPC D6/349, 355, 375, 512, 595, 596, 601,
D6/611, 604, 715, 716, 716.1; D21/803,
D21/804, 805, 809; D24/183-185, 234;
D30/118
CPC A47G 9/10; A47G 9/1009; A47G 9/1018;
A47G 9/1027; A47G 9/1036; A47G
9/1045; A47G 9/1063; A47G 9/1072;
A47G 9/1081; A47G 9/109
See application file for complete search history.

(56) **References Cited**
U.S. PATENT DOCUMENTS
5,916,089 A * 6/1999 Ive A47D 15/006
5/655
D593,786 S * 6/2009 Lown D6/596
D612,184 S * 3/2010 Anderson D6/595
D790,803 S * 7/2017 Paperno D2/719
D880,900 S * 4/2020 Lewry D6/596

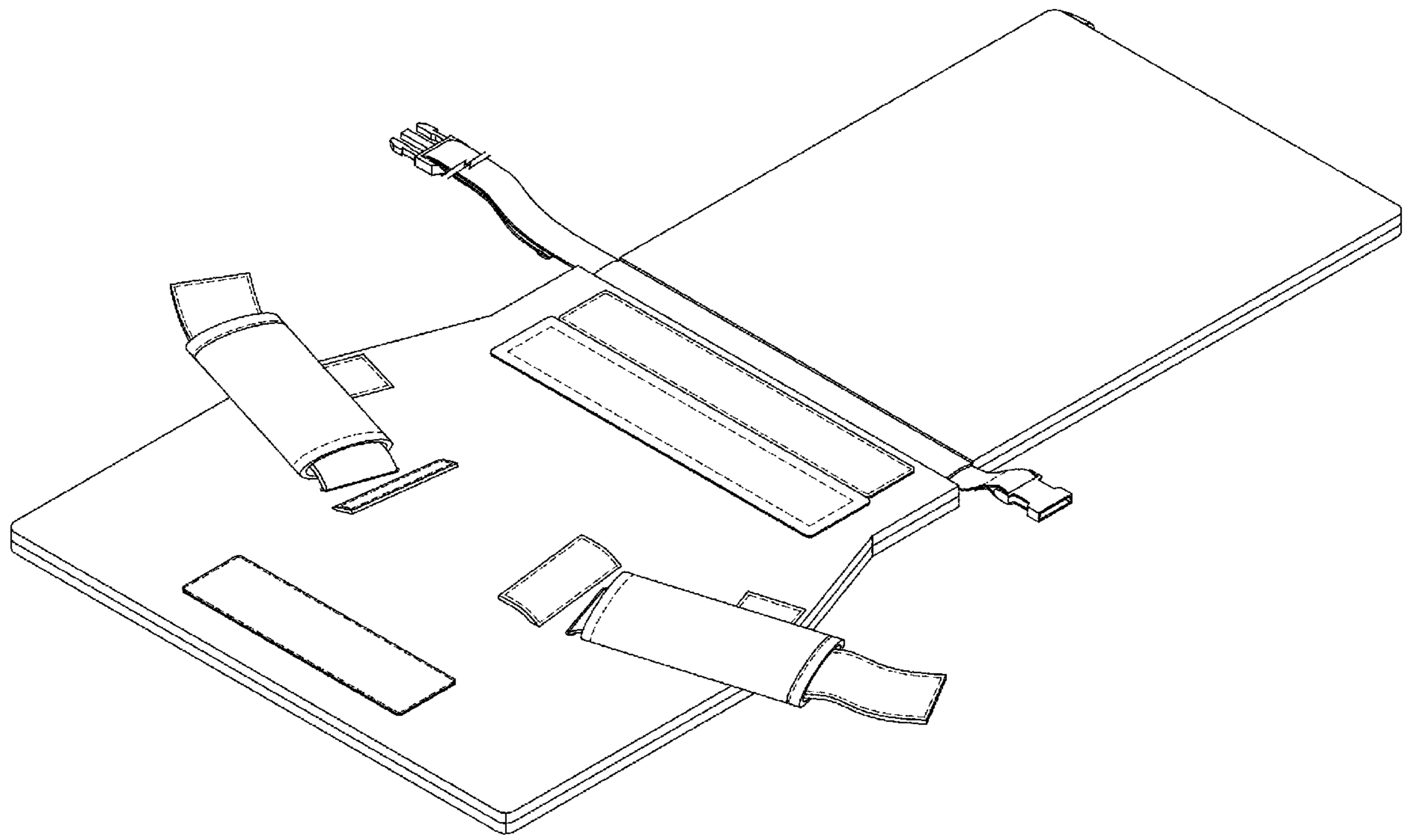
D899,792 S * 10/2020 Cordova D5/99
D919,334 S * 5/2021 Beamen D6/608
D930,393 S * 9/2021 Neo D6/596
2007/0122066 A1 * 5/2007 Landay A45C 11/26
383/16
2009/0297743 A1 * 12/2009 Ciaffara A47D 5/006
428/35.2
2014/0090175 A1 * 4/2014 Thrailkill A47D 15/008
5/655
2015/0359355 A1 * 12/2015 Rushing A47D 5/00
5/655
2018/0078050 A1 * 3/2018 Villei A47D 15/005
2018/0368587 A1 * 12/2018 Trieu A47D 5/006

* cited by examiner
Primary Examiner — Jennifer L Rempfer
(74) *Attorney, Agent, or Firm* — Michael D. Eisenberg

(57) **CLAIM**
The ornamental design for a baby changing mat, as shown and described.

DESCRIPTION
FIG. 1 is a perspective view of a baby changing mat showing my new design;
FIG. 2 is a top view of the baby changing mat;
FIG. 3 is a front view of the baby changing mat;
FIG. 4 is rear view of the baby changing mat;
FIG. 5 is a bottom view of the baby changing mat;
FIG. 6 is a left side view of the baby changing mat; and,
FIG. 7 is a right side view of the baby changing mat.
The broken lines shown are for illustrative purposes only and form no part of the claimed design.

1 Claim, 4 Drawing Sheets



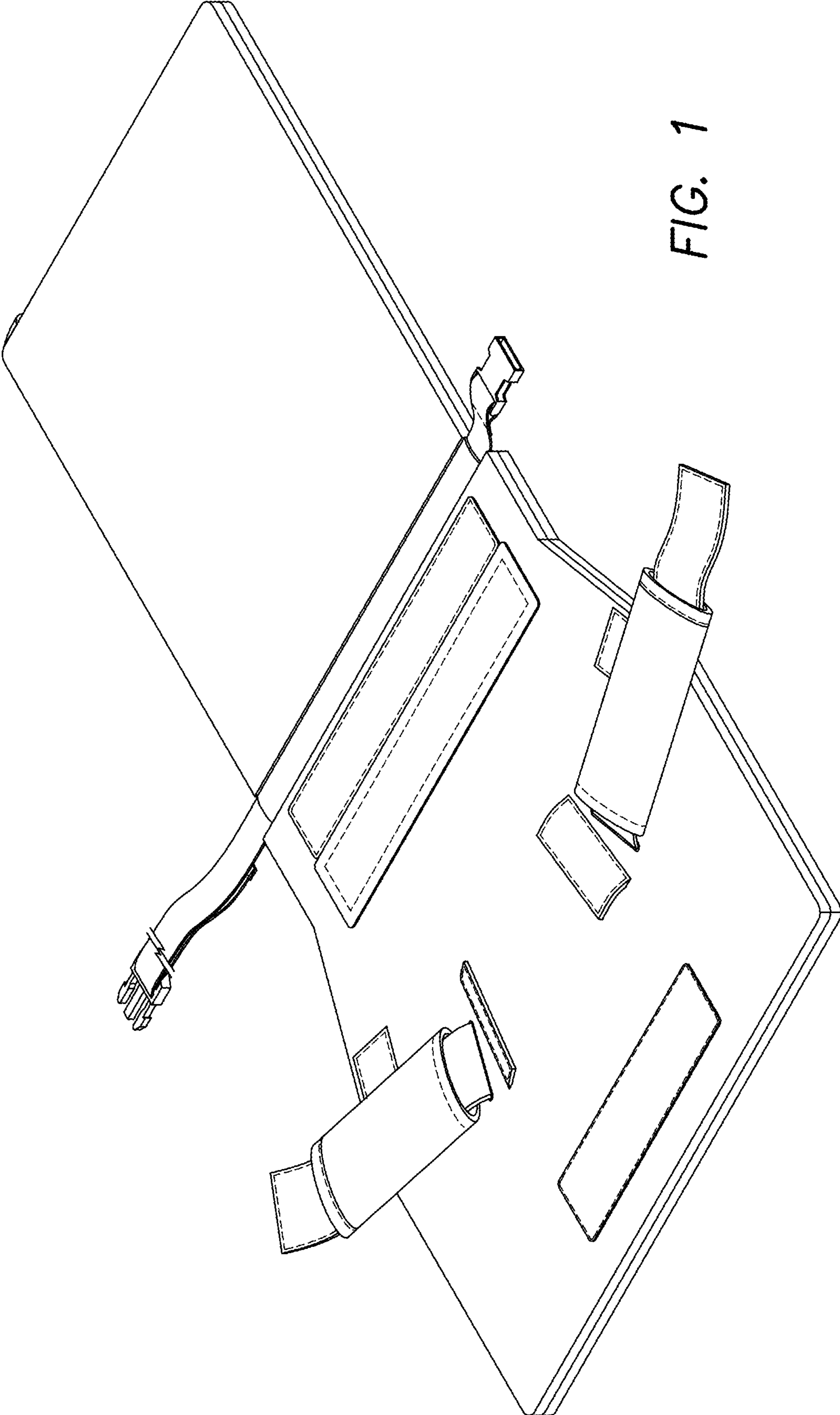


FIG. 1

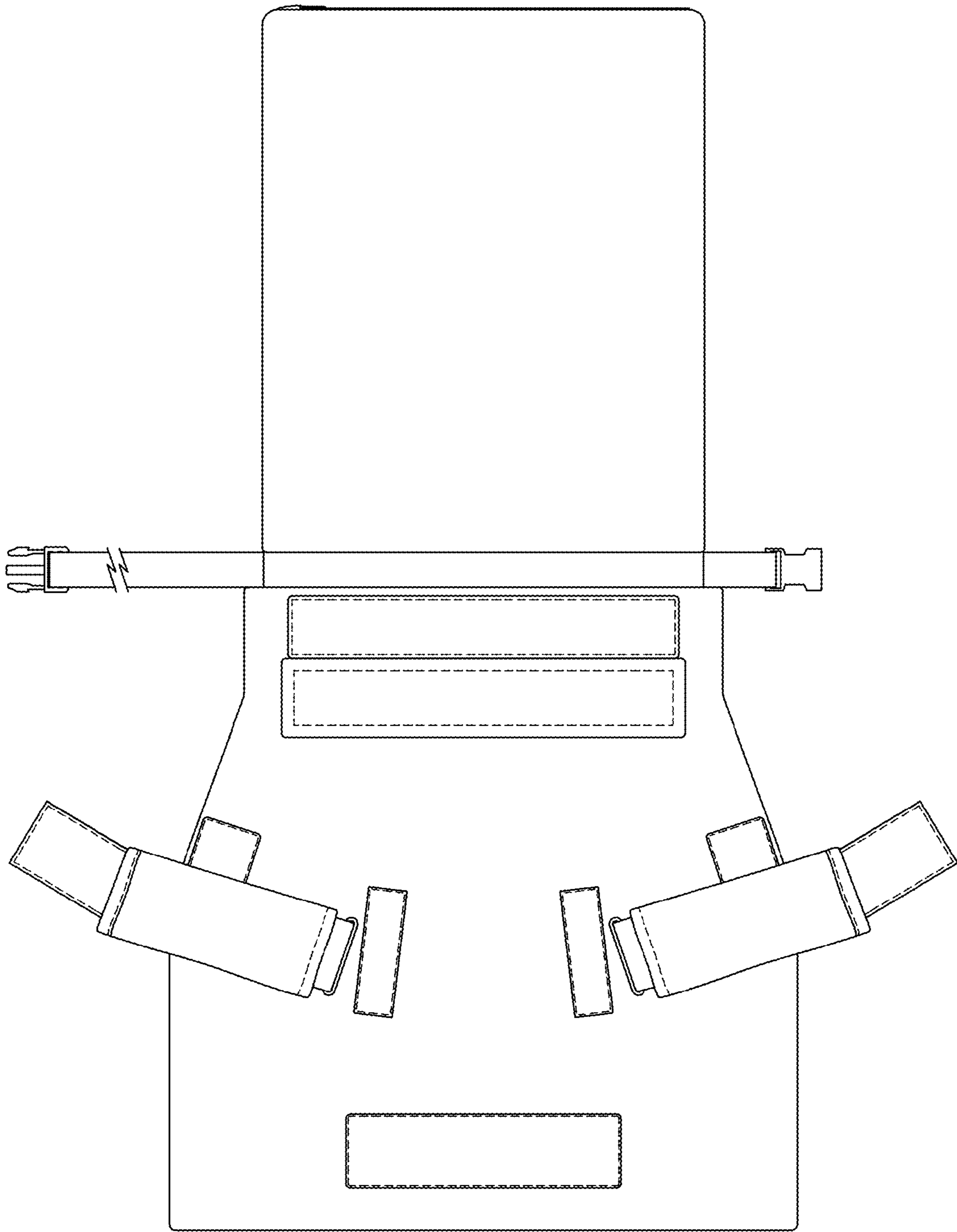


FIG. 2



FIG. 3

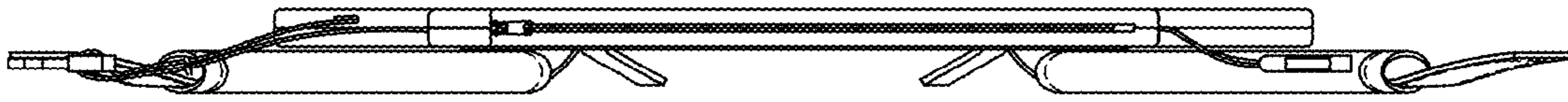


FIG. 4

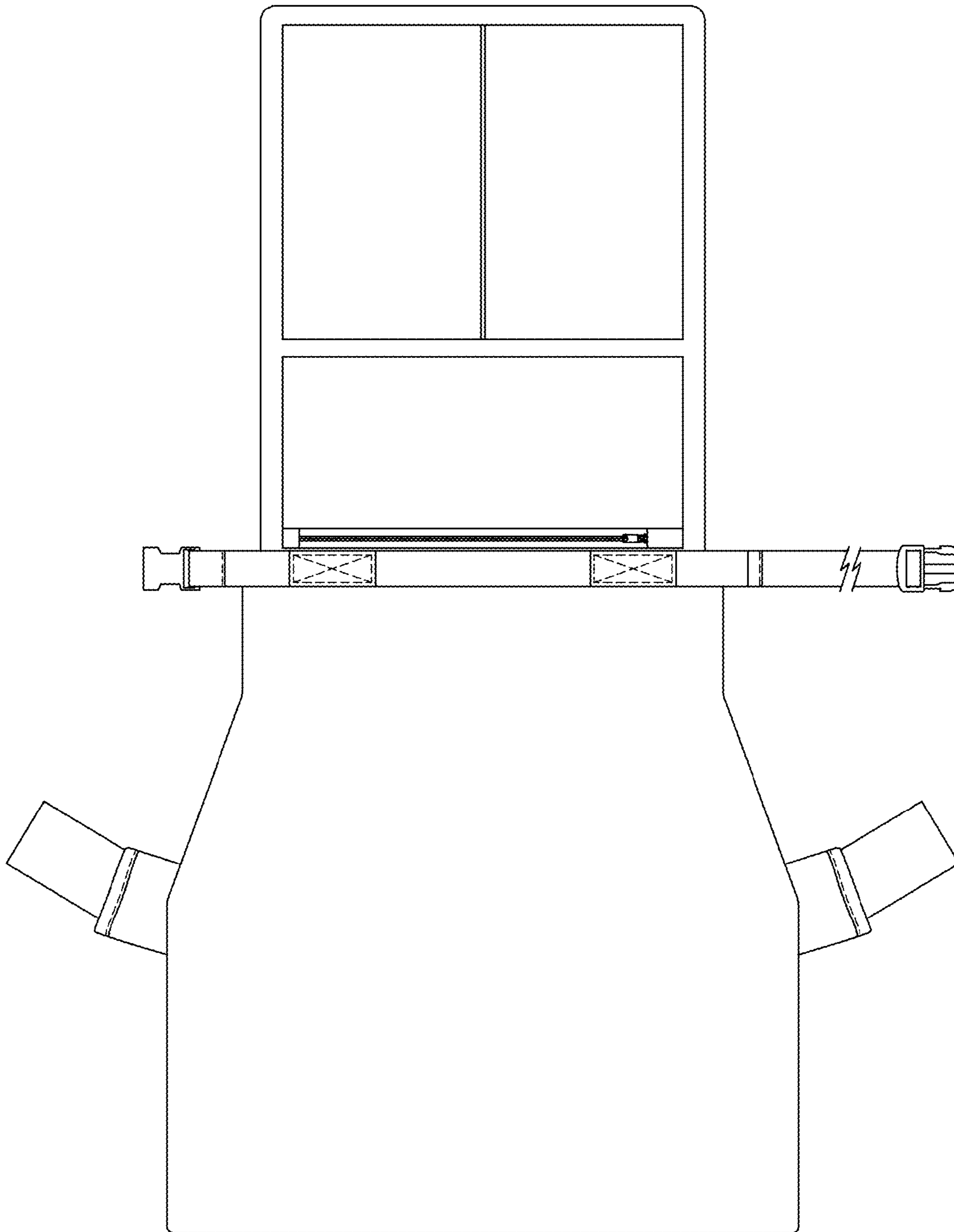


FIG. 5

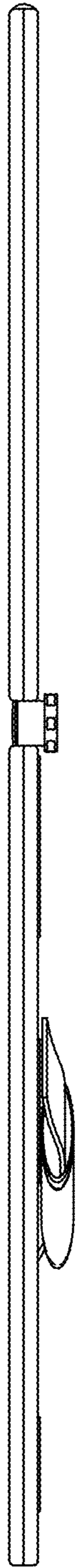


FIG. 6



FIG. 7