



US00D952368S

(12) **United States Design Patent**
Cheng

(10) **Patent No.:** **US D952,368 S**

(45) **Date of Patent:** **** May 24, 2022**

- (54) **SHELF**
- (71) Applicant: **Bo Cheng**, Nanchang (CN)
- (72) Inventor: **Bo Cheng**, Nanchang (CN)
- (**) Term: **15 Years**
- (21) Appl. No.: **29/787,746**
- (22) Filed: **Jun. 8, 2021**
- (51) **LOC (13) Cl.** **06-04**
- (52) **U.S. Cl.**
USPC **D6/574**
- (58) **Field of Classification Search**
USPC D6/574, 320-324, 555, 572; D7/698;
D26/72; 52/287.1; 108/28-29, 152;
211/13.1, 42, 86.01, 88.01, 90.01, 90.03,
211/126.1, 134, 153; 248/205.3, 235,
248/243, 247, 249, 250; 312/108, 140.2,
312/229
CPC A47B 43/00; A47B 43/04; A47B 47/0066;
A47B 47/04; A47B 63/00; A47B 69/00;
A47B 71/00; B65D 51/00
See application file for complete search history.

- D747,895 S * 1/2016 Florek A47G 1/12
D6/552
- D846,304 S * 4/2019 Allen D6/574
- D847,535 S * 5/2019 Goodman D6/567
- D866,220 S * 11/2019 Lee D6/574
- D875,427 S * 2/2020 Chiang D6/574
- D916,518 S 4/2021 Eads
- D916,552 S 4/2021 Veldkamp

* cited by examiner

Primary Examiner — Mary Shannon Malley
Assistant Examiner — Mark Booker

(56) **References Cited**

U.S. PATENT DOCUMENTS

- D512,867 S * 12/2005 Gates D6/574
- D690,533 S 10/2013 Majcher

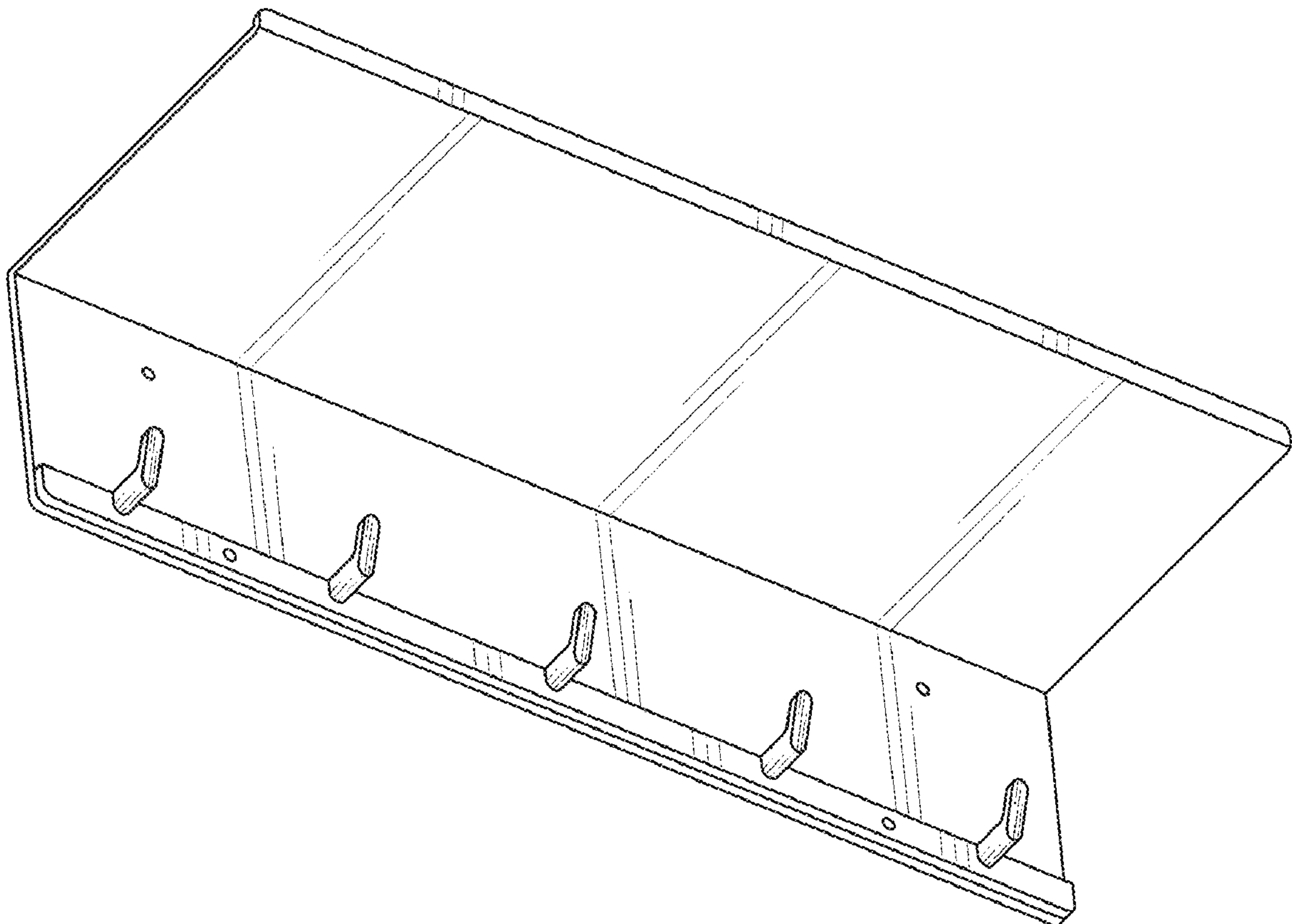
(57) **CLAIM**

The ornamental design for a shelf, as shown and described.

DESCRIPTION

FIG. 1 is a front, top, and left side perspective view of a shelf, showing my new design;
FIG. 2 is a front elevation view thereof;
FIG. 3 is a rear elevation view thereof;
FIG. 4 is a left side elevation view thereof;
FIG. 5 is a right side elevation view thereof;
FIG. 6 is a top plan view thereof; and,
FIG. 7 is a bottom plan view thereof.

1 Claim, 7 Drawing Sheets



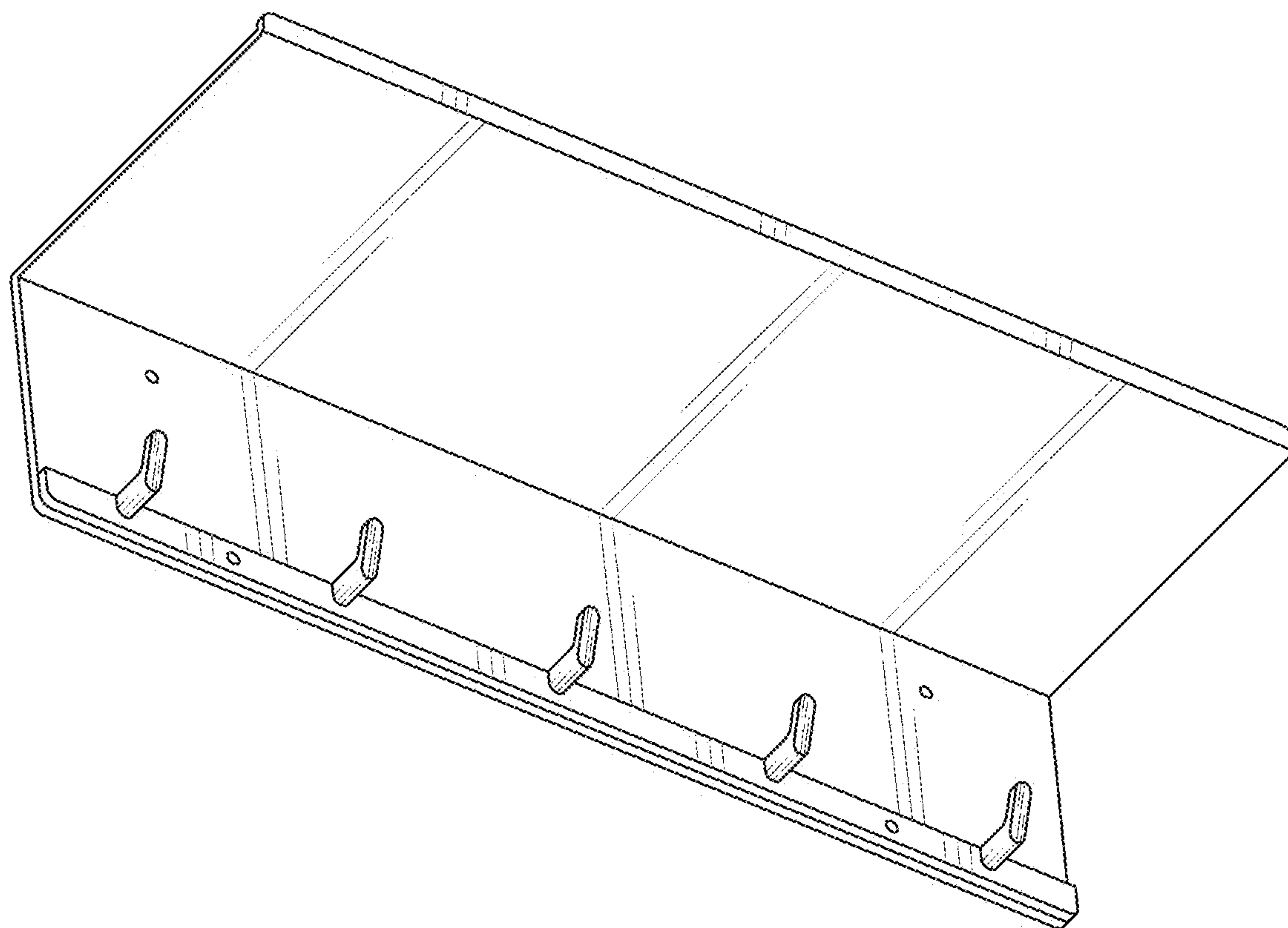


FIG.1

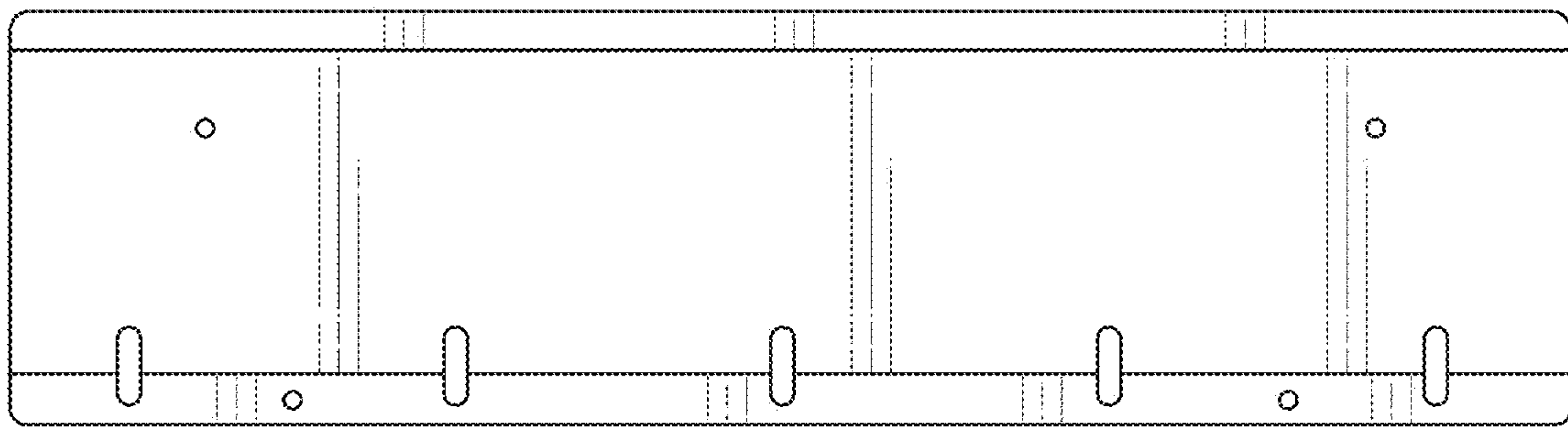


FIG.2

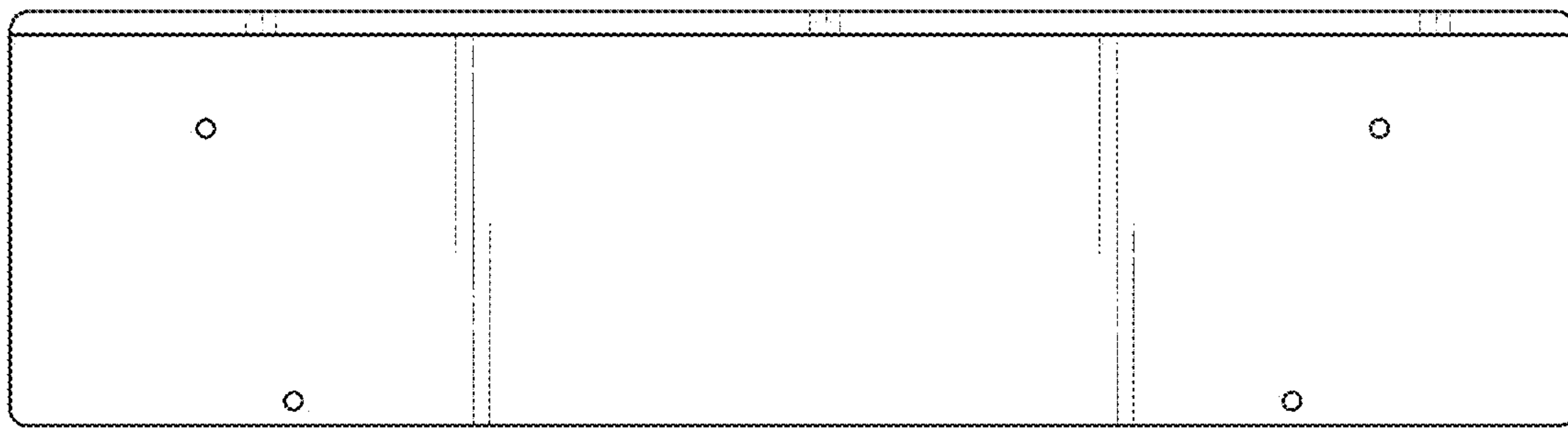


FIG.3

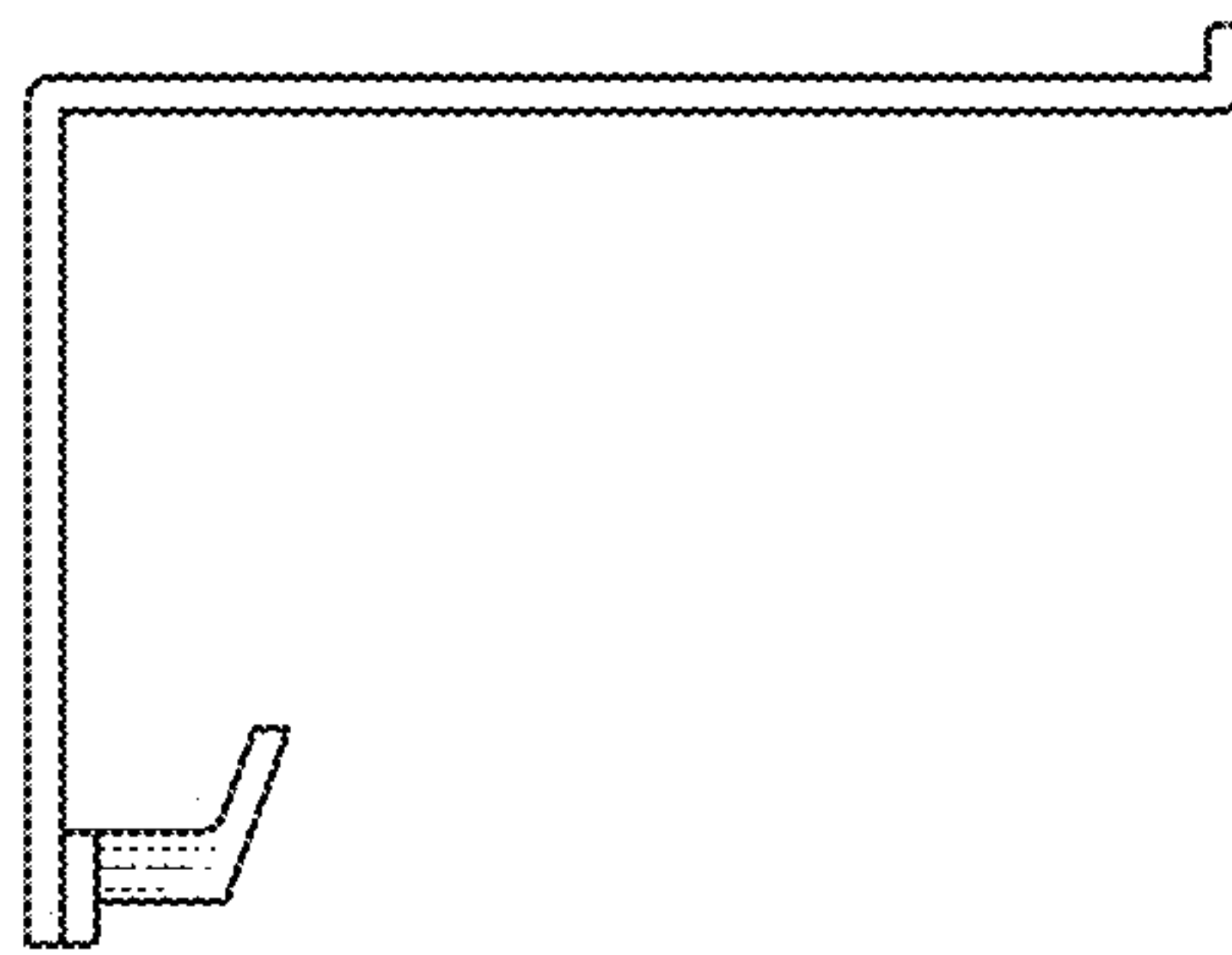


FIG.4

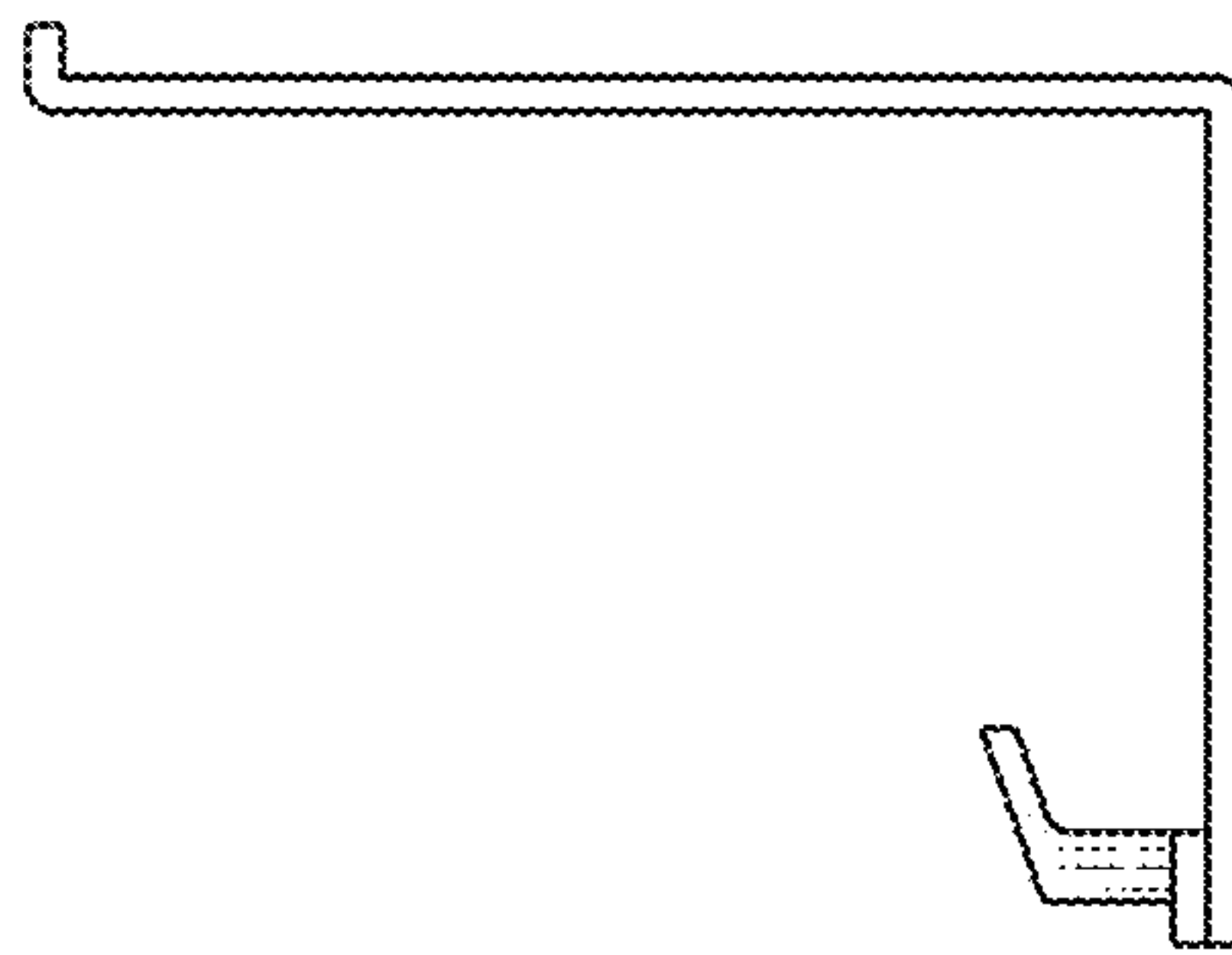


FIG.5



FIG.6

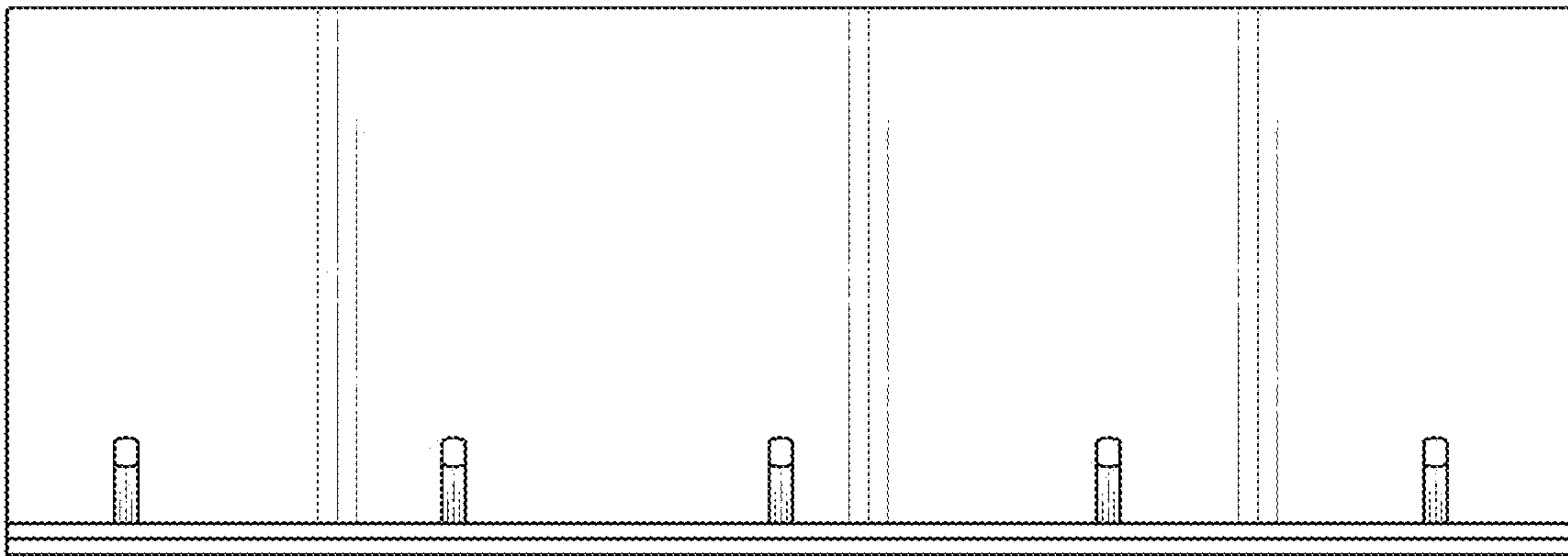


FIG. 7