



US00D952367S

(12) **United States Design Patent** (10) **Patent No.:** **US D952,367 S**
Li (45) **Date of Patent:** **** May 24, 2022**

(54) **AUTOMATIC SOAP DISPENSER**

(71) Applicant: **Li Li, Jining (CN)**

(72) Inventor: **Li Li, Jining (CN)**

(**) Term: **15 Years**

(21) Appl. No.: **29/757,063**

(22) Filed: **Nov. 3, 2020**

(51) **LOC (13) Cl.** **23-08**

(52) **U.S. Cl.**
USPC **D6/542**

(58) **Field of Classification Search**
USPC D6/524, 542-545, 540, 515, 527, 530;
D9/448, 504, 454, 688, 69, 3, 500,
D9/691-693; D23/238, 225, 247,
D23/270-275; D32/29.1; D7/598;
239/343; 222/105, 173, 180, 181.1,
222/181.2, 181.3, 82; 241/602
CPC A47K 5/1217; A47K 5/12; A47K 5/1207;
A47K 2005/1218
See application file for complete search history.

(56) **References Cited**

U.S. PATENT DOCUMENTS

D507,493 S *	7/2005	Nelson	D9/686
D531,440 S *	11/2006	Lo	D6/542
D574,711 S *	8/2008	Lederman	D9/500
D663,983 S *	7/2012	Yang	D6/542
D682,589 S *	5/2013	Cheng	D6/542
D793,762 S *	8/2017	Yuan	D6/542
D853,748 S *	7/2019	Zou	D6/542
D894,631 S *	9/2020	Yang	D6/542

D895,998 S *	9/2020	Li	D6/542
D909,089 S *	2/2021	Hong	D6/542
2016/0256016 A1 *	9/2016	Yang	B05B 7/005

FOREIGN PATENT DOCUMENTS

CN	304258152	*	8/2017
CN	306177088	*	11/2020
CN	306375511	*	3/2021
CN	306482295	*	4/2021
EM	005612124-0001	*	8/2018
EM	008238315-0001	*	11/2020

* cited by examiner

Primary Examiner — Marie D. Fast Horse
Assistant Examiner — Jennifer Sierra Yosinski

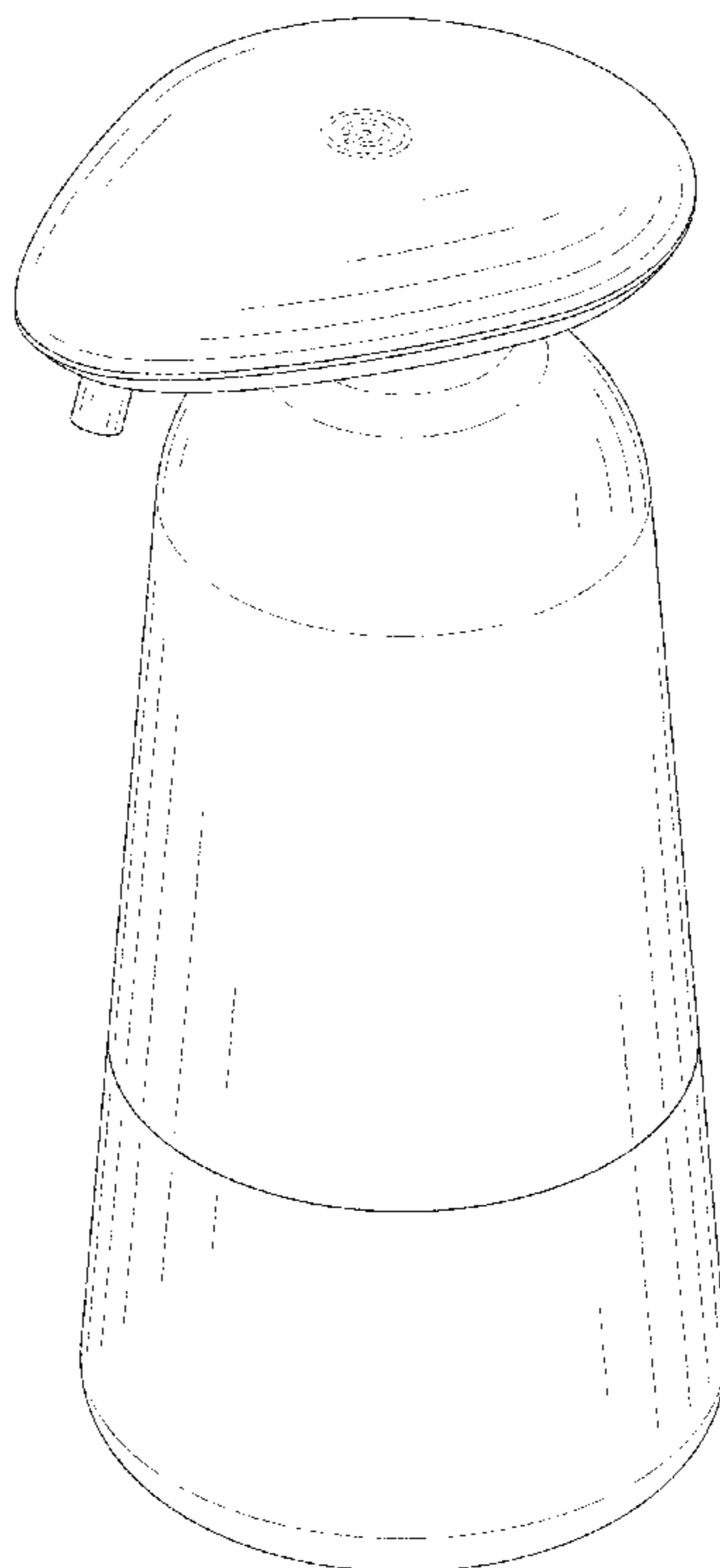
(57) **CLAIM**

The ornamental design for an automatic soap dispenser, as shown and described.

DESCRIPTION

FIG. 1 is a perspective view of an automatic soap dispenser showing my new design;
FIG. 2 is another perspective view thereof;
FIG. 3 is a front elevational view thereof;
FIG. 4 is a rear elevational view thereof;
FIG. 5 is a left side elevational view thereof;
FIG. 6 is a right side elevational view thereof;
FIG. 7 is a top plan view thereof; and,
FIG. 8 is a bottom plan view thereof.
The broken lines in the drawings depict portions of the automatic soap dispenser that form no part of the claimed design.

1 Claim, 8 Drawing Sheets



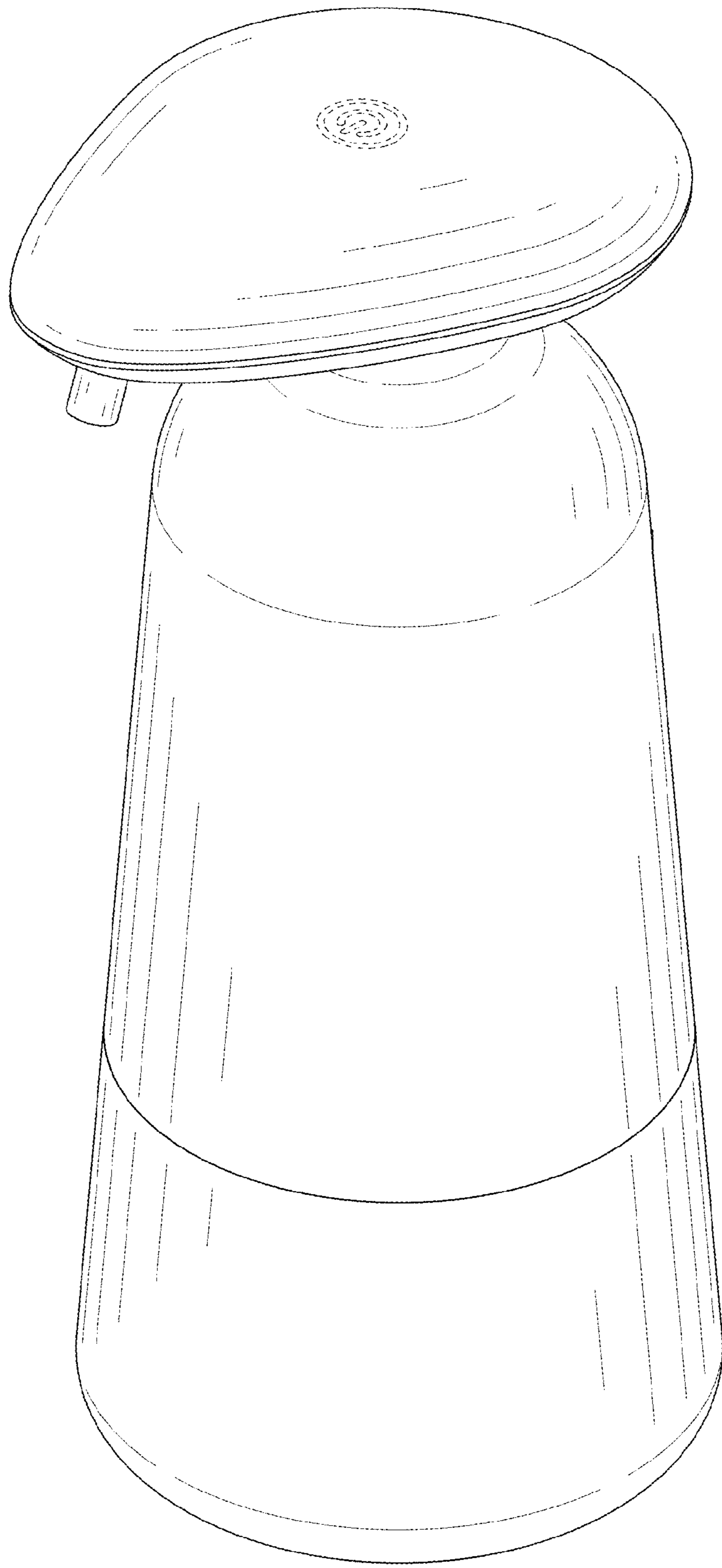


FIG. 1

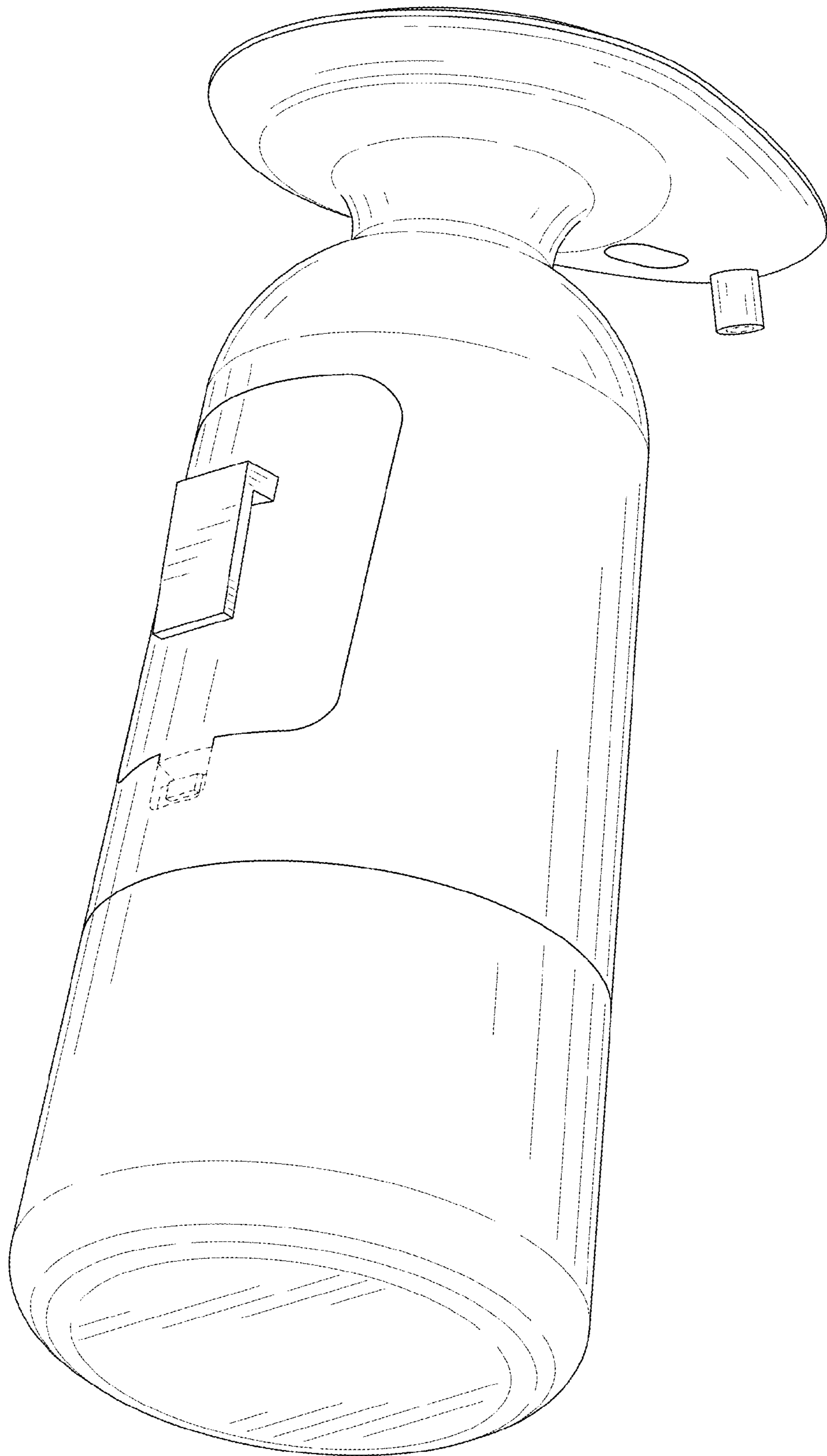


FIG. 2

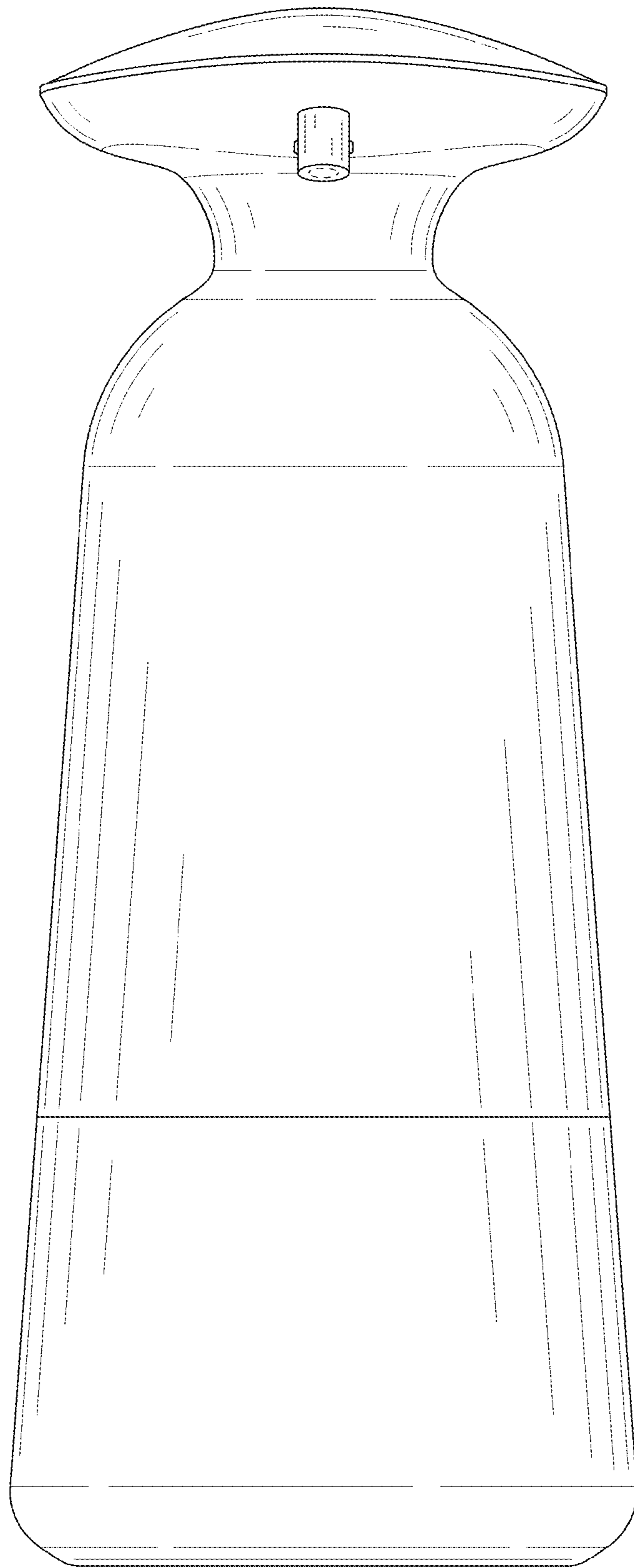


FIG. 3

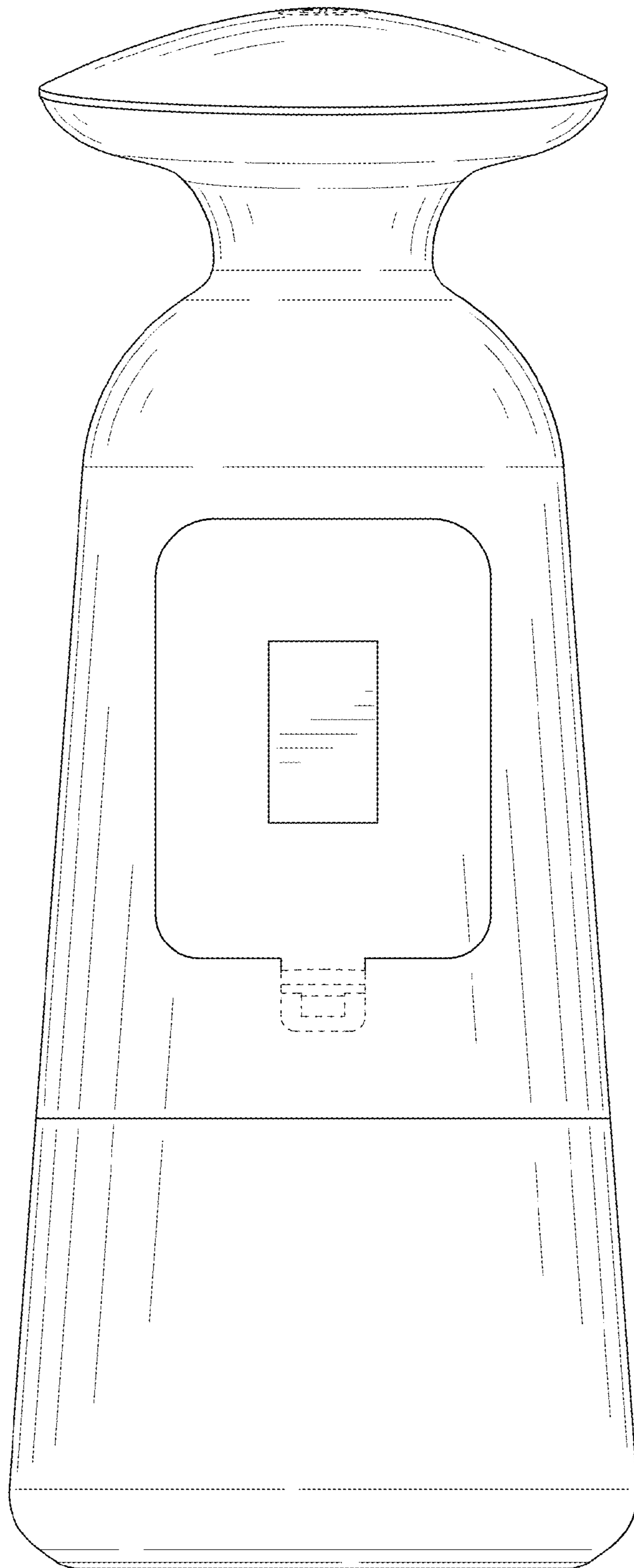


FIG. 4

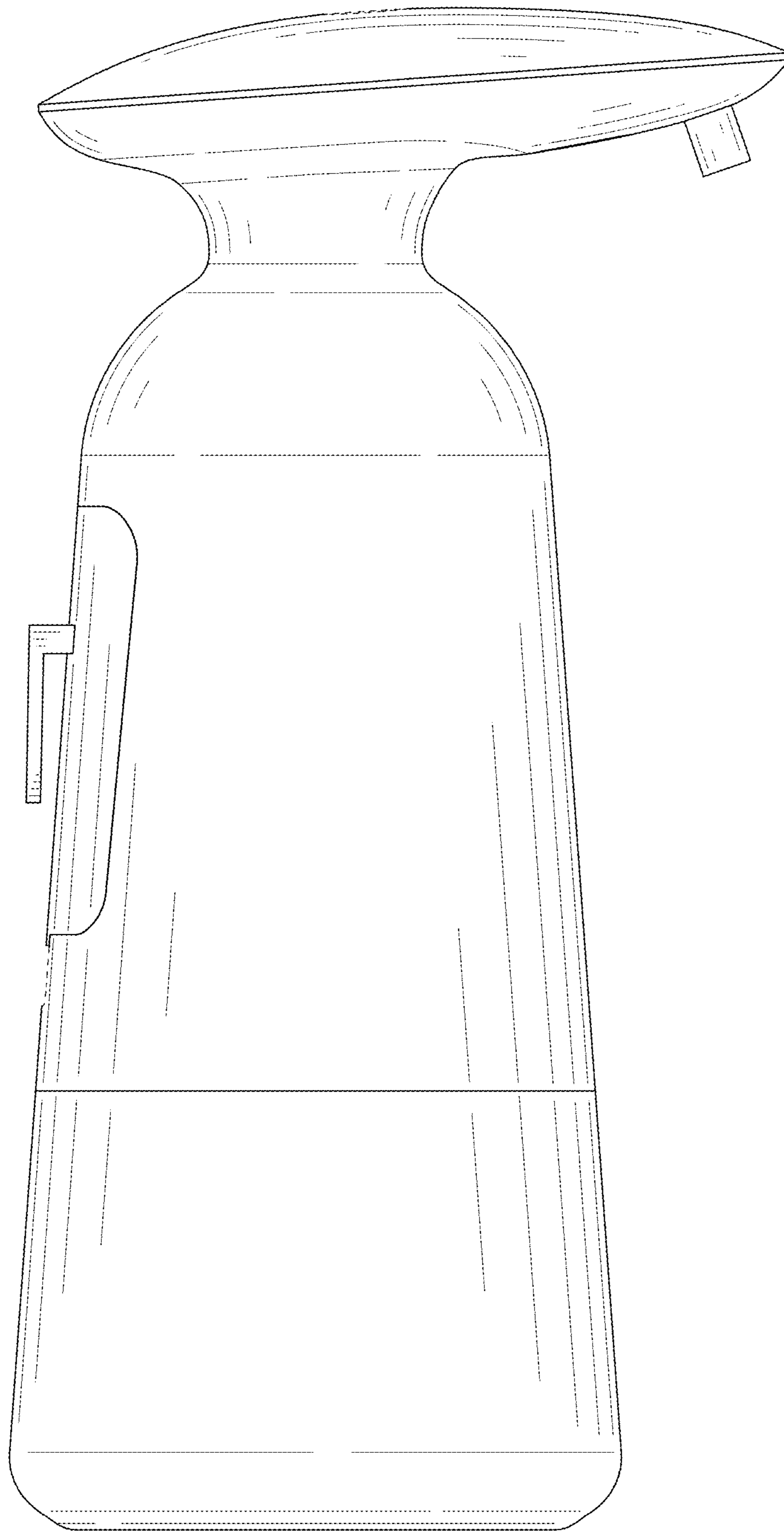


FIG. 5

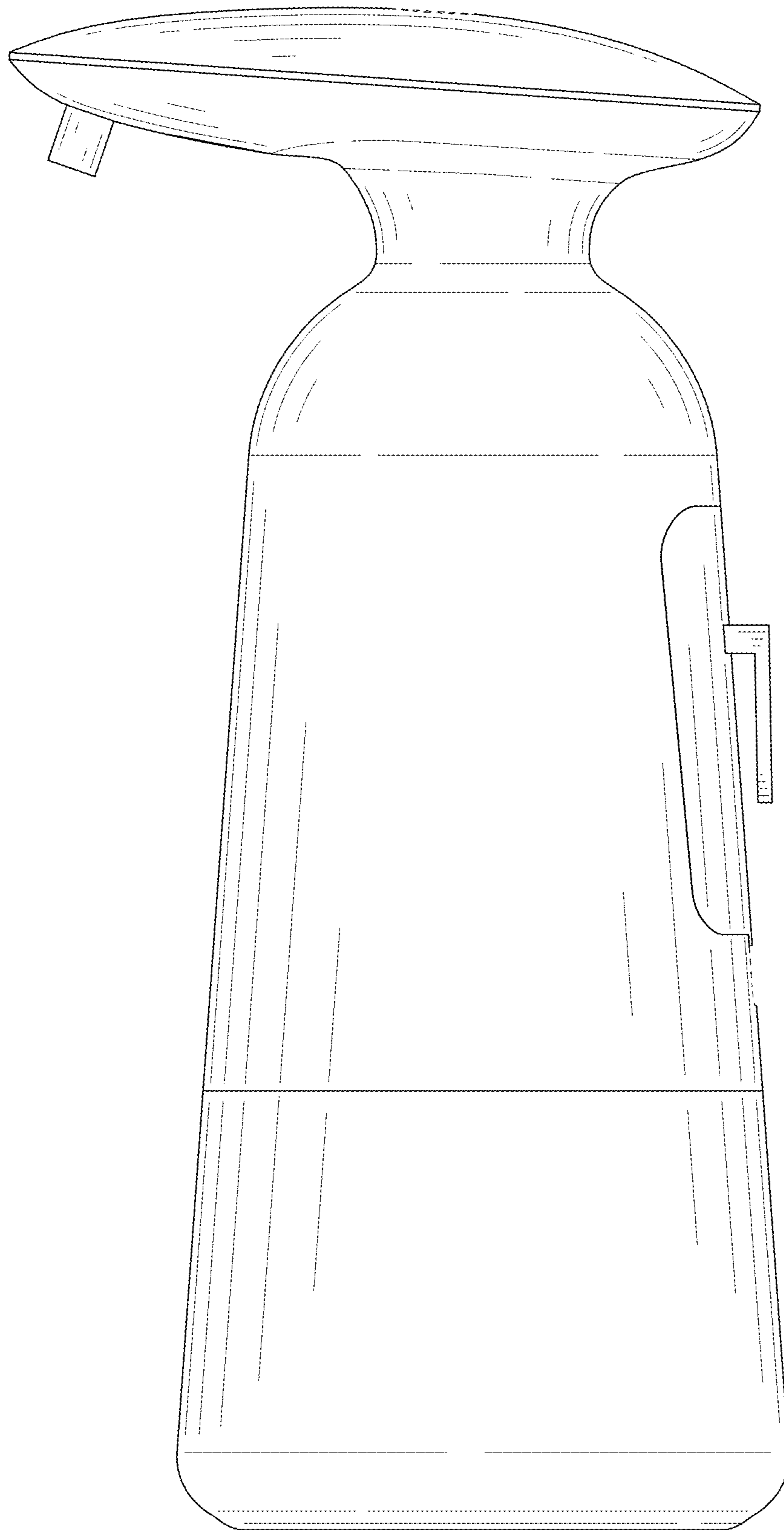


FIG. 6

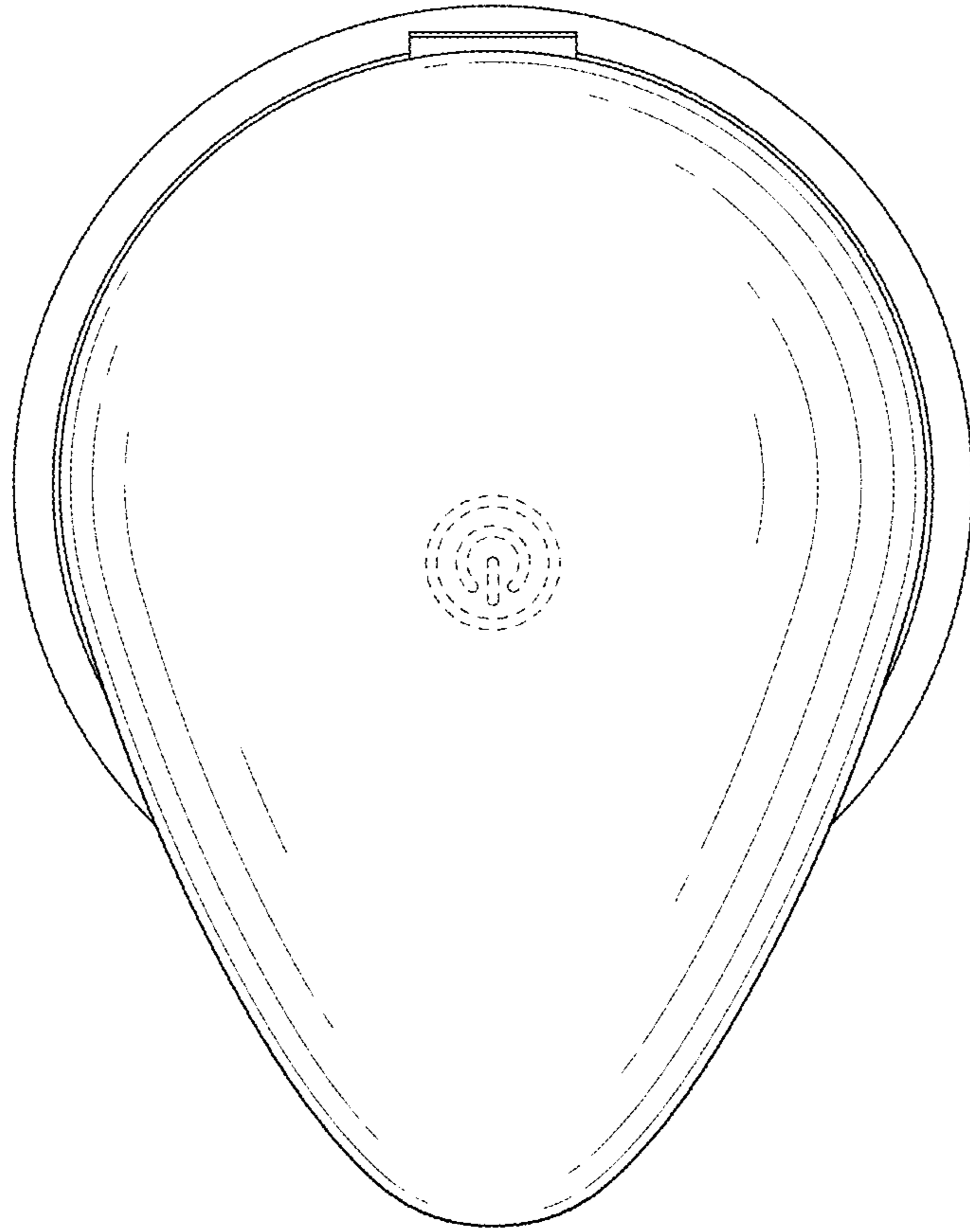


FIG. 7

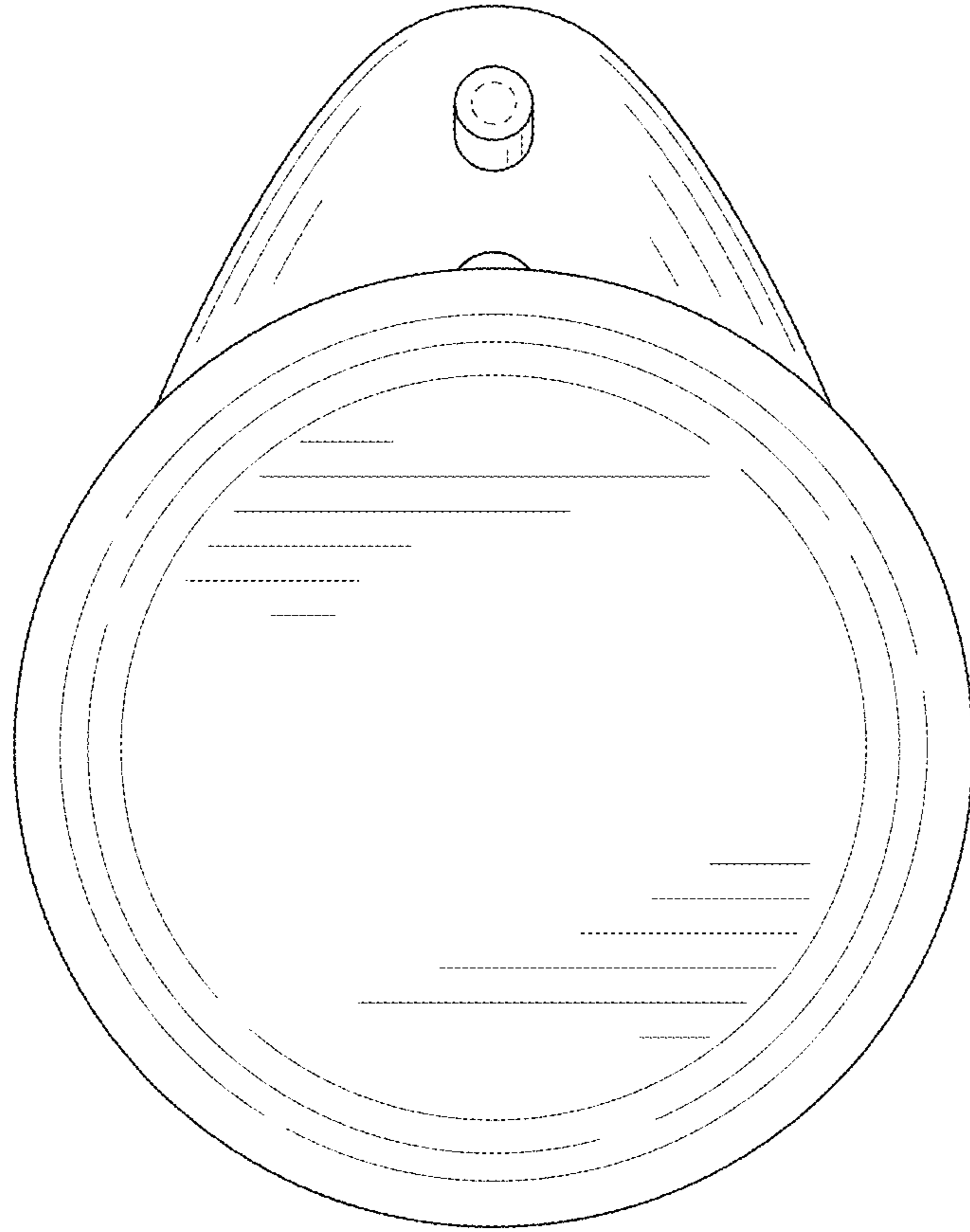


FIG. 8