



US00D952366S

(12) **United States Design Patent** (10) **Patent No.:** **US D952,366 S**
Mendenhall (45) **Date of Patent:** **** May 24, 2022**

(54) **BED FRAME**
(71) Applicant: **Smart Flex, Inc.**, High Point, NC (US)
(72) Inventor: **Jeremy Mendenhall**, High Point, NC (US)

2014/0245536 A1* 9/2014 Ermalovich A47C 31/123
5/600
2016/0367043 A1* 12/2016 Scarleski A47C 21/026
2017/0209321 A1* 7/2017 Shih A61G 7/018
2017/0348186 A1* 12/2017 Garcia A61H 23/02
2017/0360209 A1* 12/2017 Zhou A61G 7/1074
2021/0219735 A1* 7/2021 Huang A47C 20/042

(73) Assignee: **Smart Flex, Inc.**, High Point, NC (US)

OTHER PUBLICATIONS

(**) Term: **15 Years**

Reverie 8Q Adjustable Bed Foundation, available in dealbeds.com, customer review oldest date Dec. 1, 2014 [online], Retrieved on Dec. 15, 2021 from URL: <https://www.dealbeds.com/reverie-8q-adjustable-bed-foundation/?sku=8QQN> (Year: 2014).*
Reverie 5D Adjustable Bed Foundation, available in dealbeds.com, customer review oldest date Dec. 15, 2014 [online], Retrieved on Dec. 15, 2021 from URL: <https://www.dealbeds.com/reverie-5d-adjustable-bed-foundation-wireless-massage-wall-hugger/> (Year: 2014).*

(21) Appl. No.: **29/733,176**

(22) Filed: **Apr. 30, 2020**

(51) **LOC (13) Cl.** **06-02**

(52) **U.S. Cl.**
USPC **D6/392**

(58) **Field of Classification Search**
USPC D6/392, 382, 393, 394, 395, 595, 596
CPC A47C 19/00; A47C 19/02; A47C 19/04;
A47C 19/12; F16B 12/54; F16B 7/04
See application file for complete search history.

(Continued)

Primary Examiner — Vy N Koenig
Assistant Examiner — Michelle M Reeves
(74) *Attorney, Agent, or Firm* — MacCord Mason PLLC

(56) **References Cited**

(57) **CLAIM**

The ornamental design for a bed frame, as shown and described.

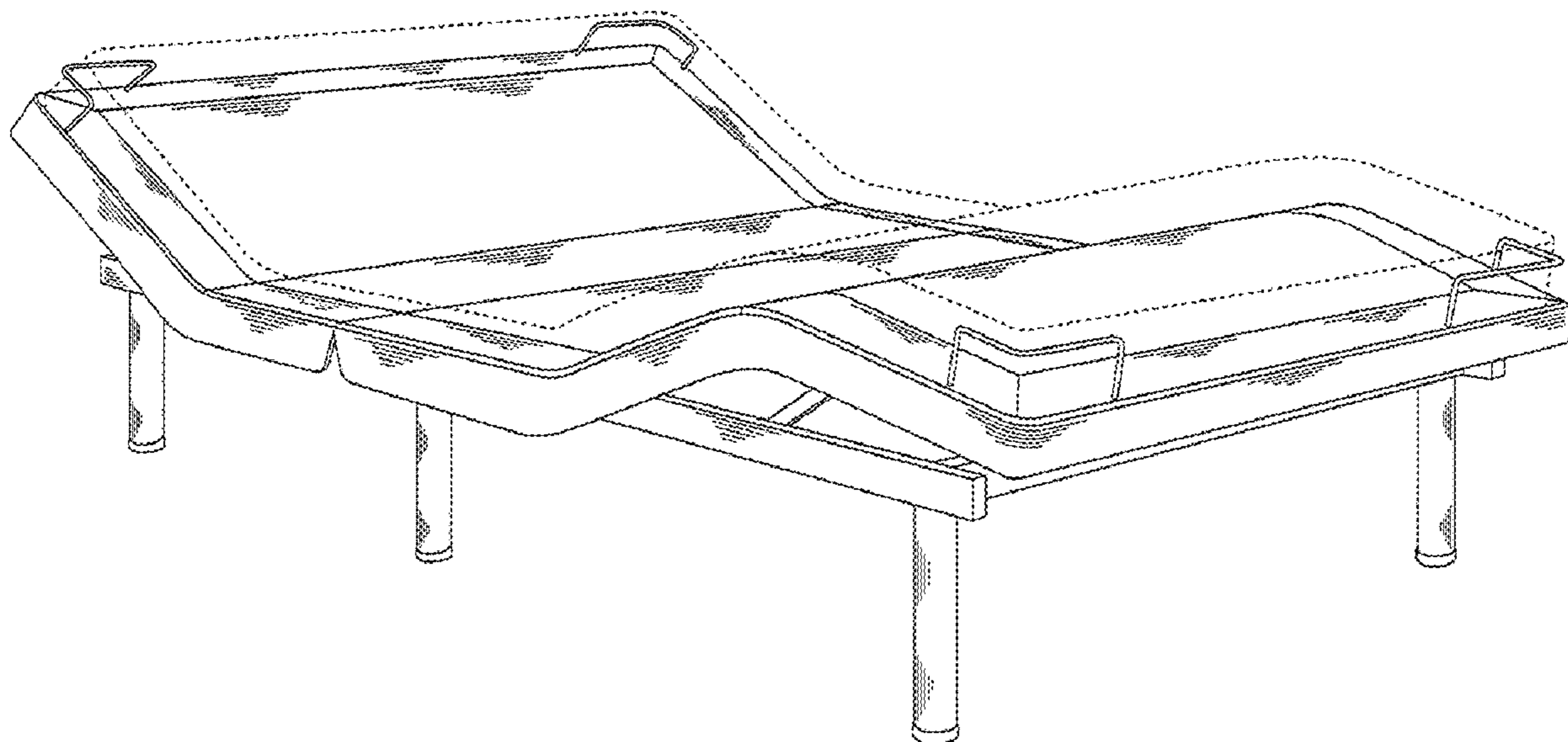
U.S. PATENT DOCUMENTS

D255,402 S * 6/1980 Lundgren D6/361
6,006,379 A * 12/1999 Hensley A47C 20/041
5/616
D717,088 S * 11/2014 Rawls-Meehan D6/718
9,044,365 B2 * 6/2015 Rawls-Meehan A47C 20/08
D907,395 S * 1/2021 Li D6/392
2002/0178502 A1* 12/2002 Beasley A61G 7/015
5/618
2011/0162144 A1* 7/2011 Kanthasamy A47C 20/043
5/617
2011/0247138 A1* 10/2011 Clenet A47C 19/021
5/613
2013/0038094 A1* 2/2013 Chen A47C 19/122
297/42

DESCRIPTION

FIG. 1 is a front perspective view of a bed frame showing my new design in a tilted configuration;
FIG. 2 is a front elevation view thereof;
FIG. 3 is a right elevation view thereof;
FIG. 4 is a left elevation view thereof;
FIG. 5 is a rear elevation view thereof; and,
FIG. 6 is a top plan view thereof.
The objects shown in dotted lines depict environment and form no part of the claimed design.

1 Claim, 6 Drawing Sheets



(56)

References Cited

OTHER PUBLICATIONS

IDEalBed 3i Custom Adjustable Bed Base, available in dealbeds.com, customer review oldest date Nov. 23, 2018 [online], Retrieved on Dec. 15, 2021 from URL:<https://www.dealbeds.com/idealbed-3i-custom-adjustable-bed-base-wireless-memory-presets-zero-gravity/> (Year: 2018).*

* cited by examiner

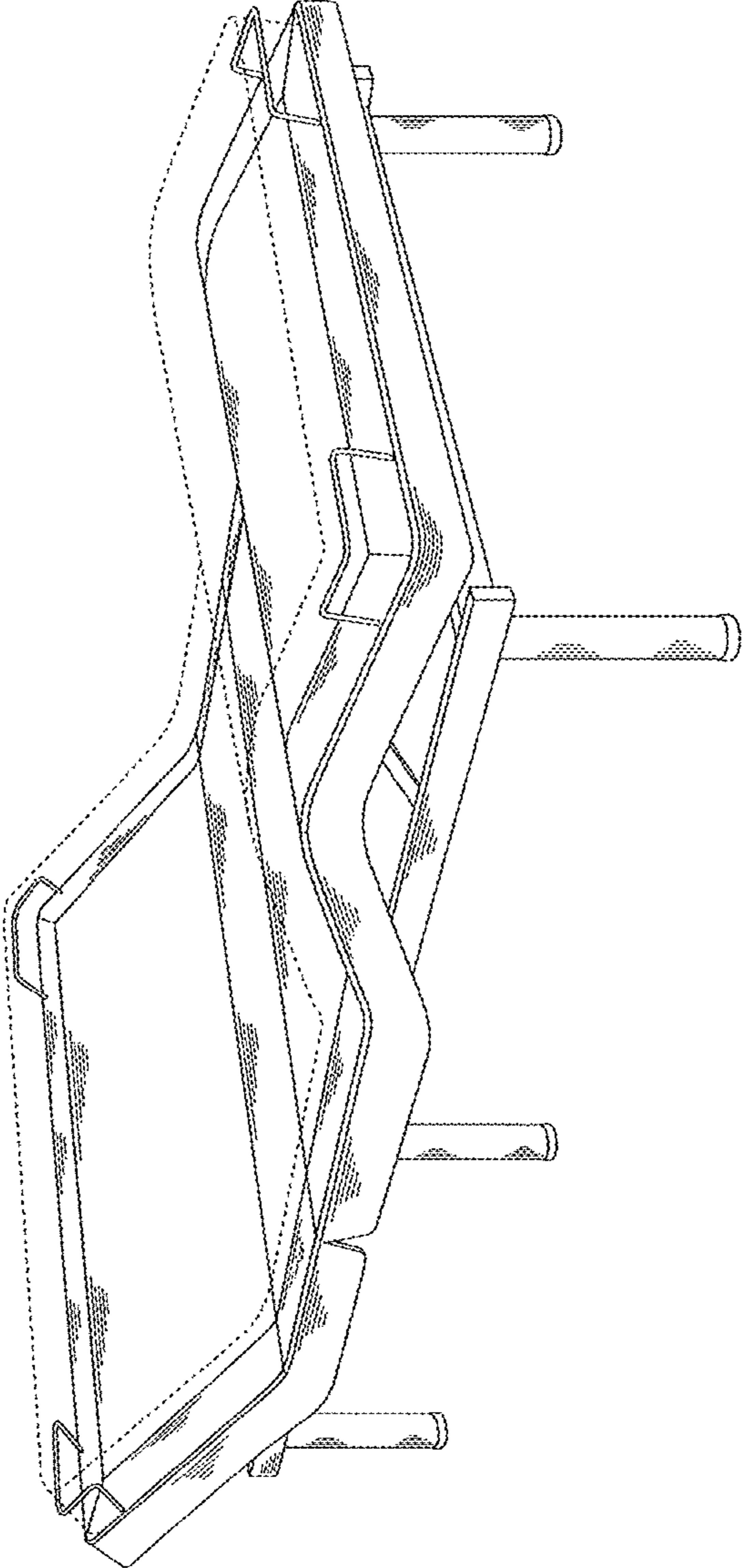


FIG. 1

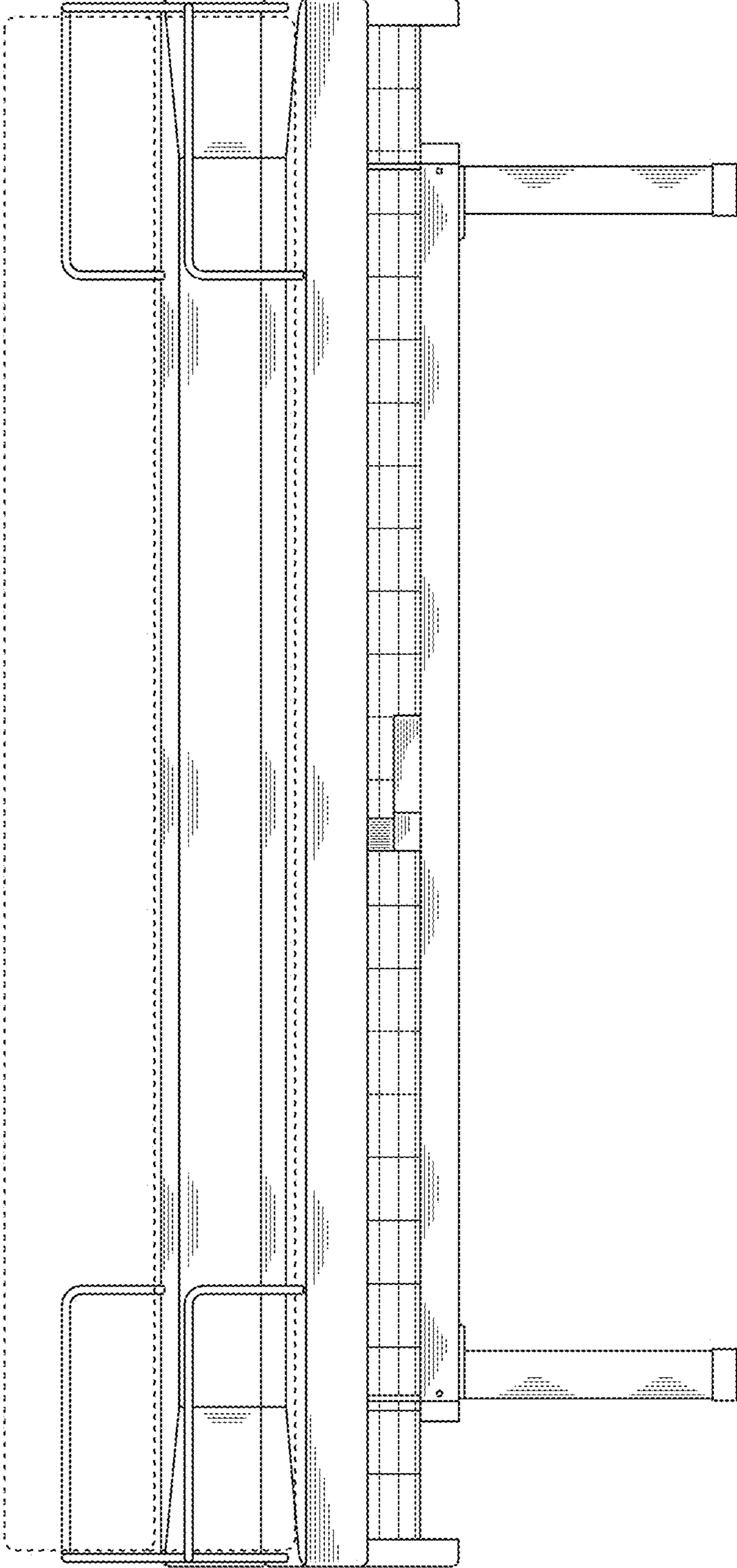


FIG. 2

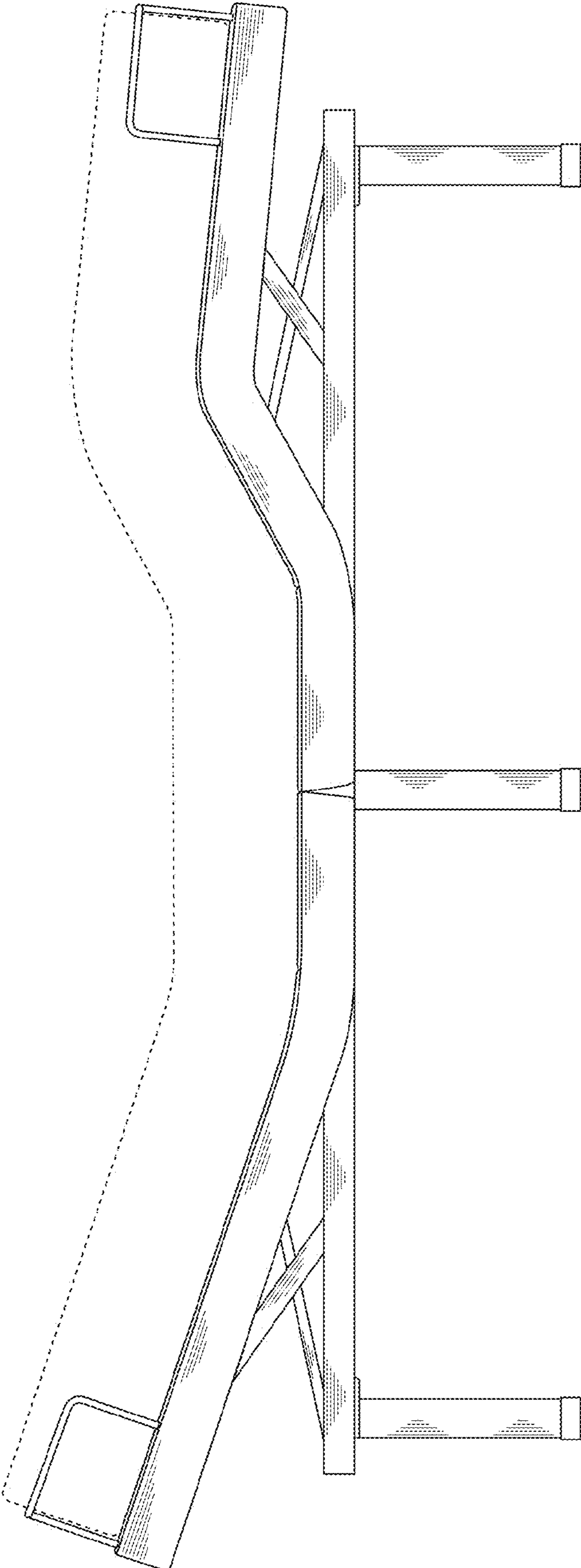


FIG. 3

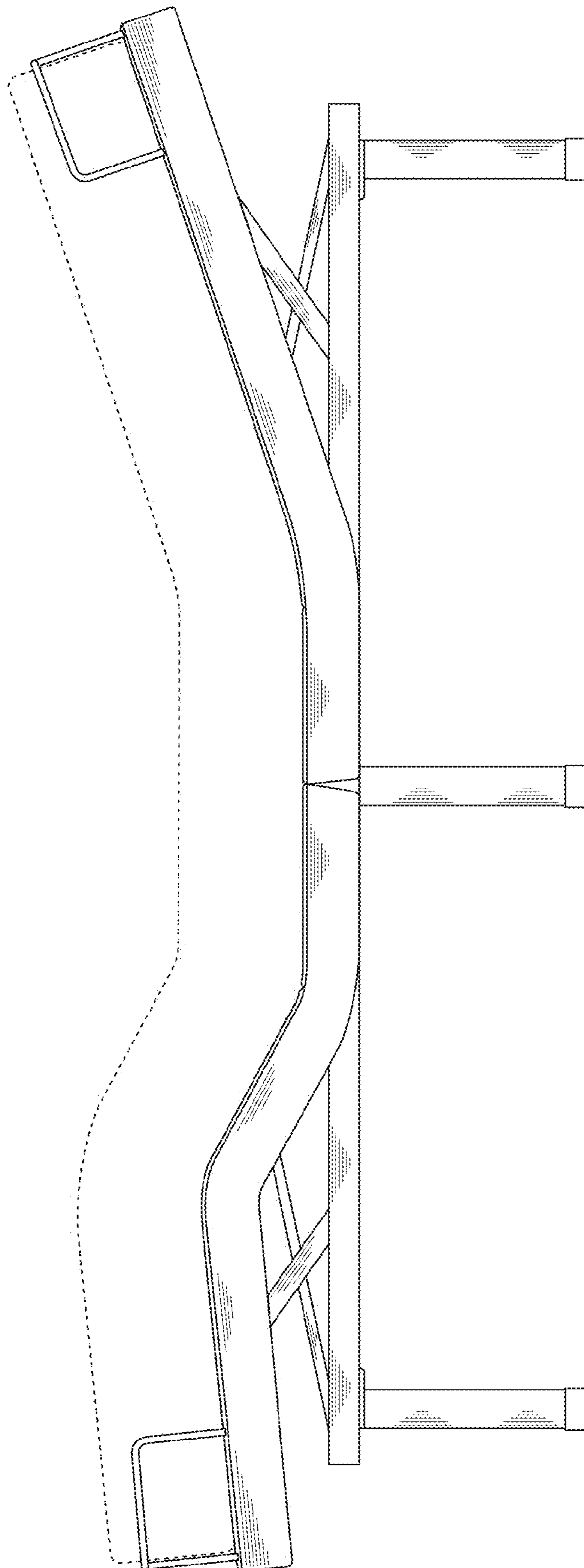


FIG. 4

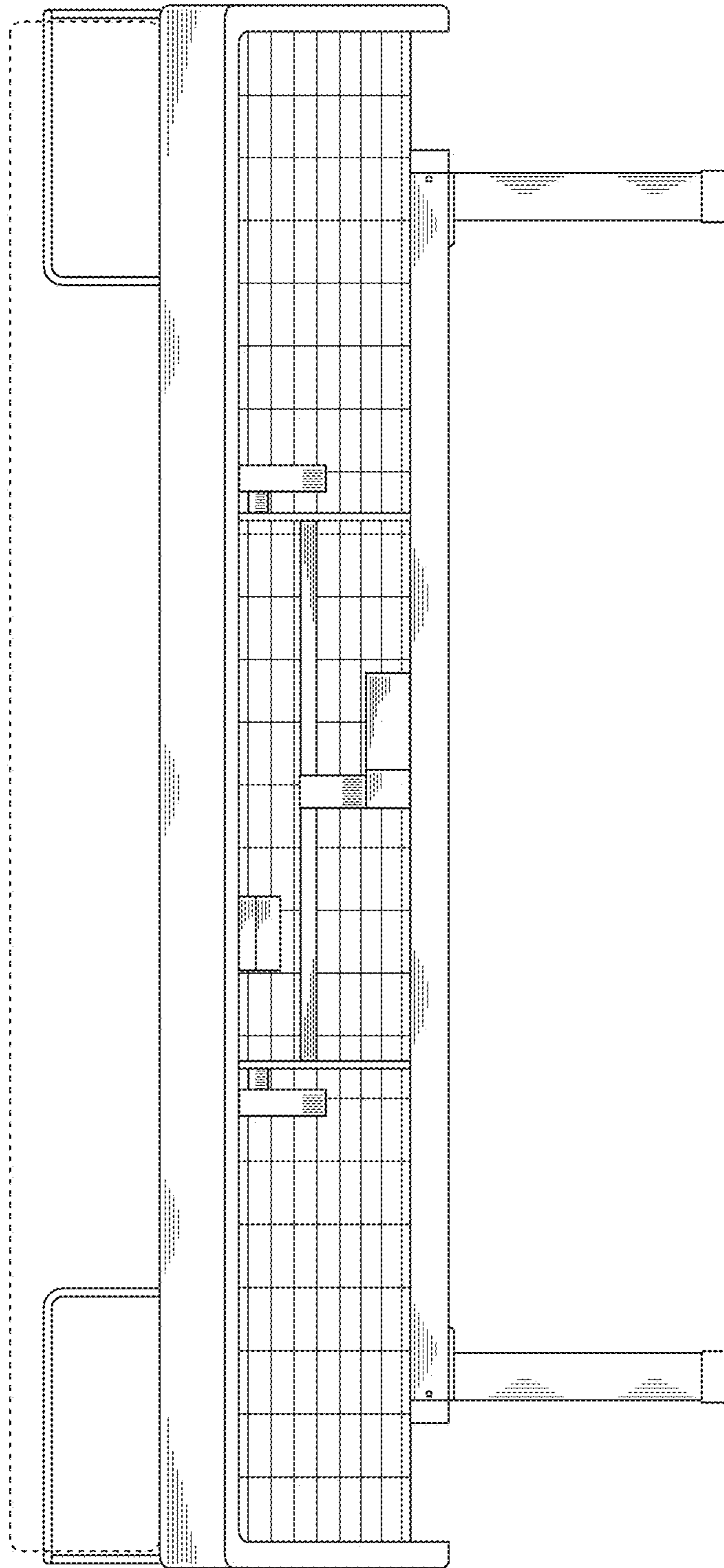


FIG. 5

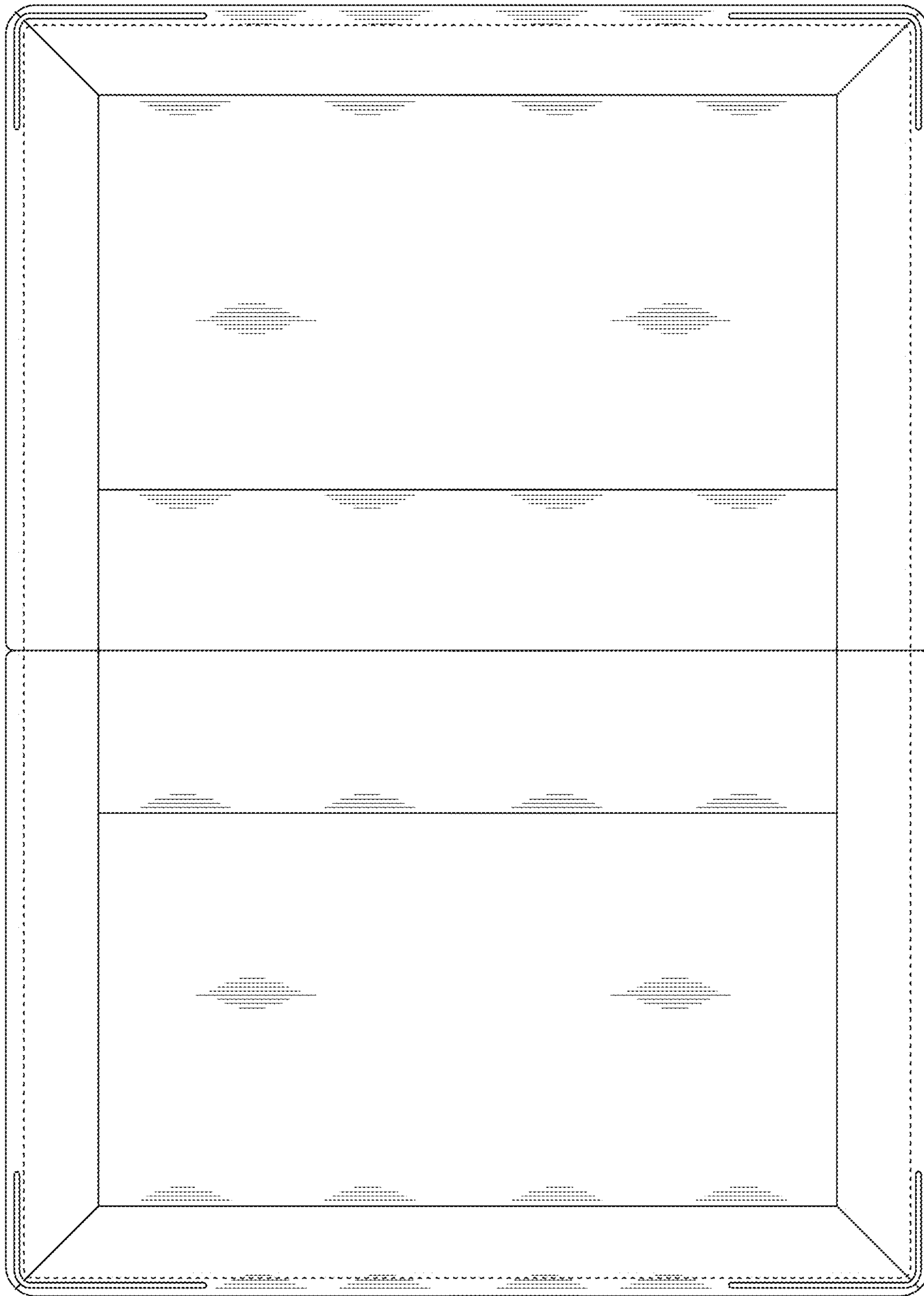


FIG. 6