

US00D952365S

(12) **United States Design Patent**
Hsu

(10) **Patent No.:** **US D952,365 S**

(45) **Date of Patent:** **** May 24, 2022**

(54) **CHAIR**

(71) Applicant: **SEAT-WELL ENTERPRISES CO., LTD.**, Taichung (TW)

(72) Inventor: **Chen Hsiu Hsu**, Taichung (TW)

(73) Assignee: **Seat-Well Enterprises Co., Ltd.**, Taichung (TW)

(**) Term: **15 Years**

(21) Appl. No.: **29/734,650**

(22) Filed: **May 14, 2020**

(51) **LOC (13) Cl.** **06-01**

(52) **U.S. Cl.**
USPC **D6/360**

(58) **Field of Classification Search**
USPC D6/333, 334, 344, 348, 349, 350, 355,
D6/360, 361, 364, 366, 367, 369, 370,
D6/374, 375, 379, 380, 381, 716, 716.4
CPC A47C 1/02; A47C 1/022; A47C 1/024;
A47C 1/032; A47C 1/03255; A47C 1/11;
A47C 1/143; A47C 3/18; A47C 3/02;
A47C 3/025; A47C 3/026; A47C 7/002;
A47C 7/004; A47C 7/18; A47C 7/185;
A47C 7/36; A47C 7/46; A47C 9/007;
A47C 11/00; A47C 11/005
See application file for complete search history.

(56) **References Cited**

U.S. PATENT DOCUMENTS

D137,904 S * 5/1944 Dieter D6/372
D215,429 S * 9/1969 Sickler D6/360

D458,765 S * 6/2002 Barbieri D6/354
D803,592 S * 11/2017 Lenz D6/349
D832,015 S * 10/2018 Deemer D6/708.16
D846,930 S * 4/2019 Patton D6/360
D910,324 S * 2/2021 Tao D6/348
D914,421 S * 3/2021 Osler D6/349

FOREIGN PATENT DOCUMENTS

WO WO-2017062826 A1 * 4/2017

* cited by examiner

Primary Examiner — R. Johnson

(74) *Attorney, Agent, or Firm* — Bradley J. Thorson;
DeWitt LLP

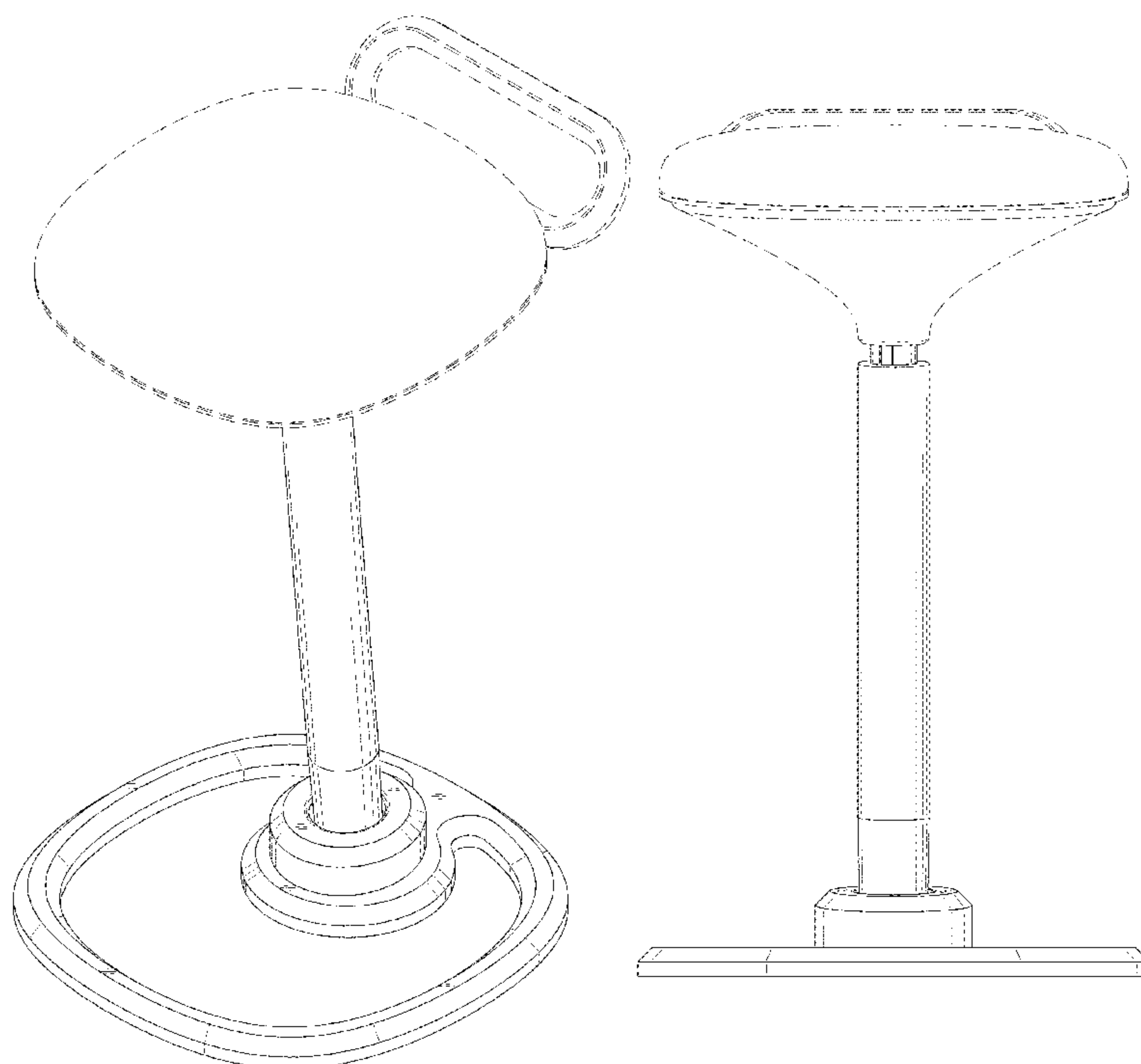
(57) **CLAIM**

The ornamental design for a chair, as shown and described.

DESCRIPTION

FIG. 1 is a perspective view of a chair showing my new design;
FIG. 2 is a front elevational view thereof;
FIG. 3 is a rear elevational view thereof;
FIG. 4 is a left side elevation view thereof;
FIG. 5 is a right side elevation view thereof;
FIG. 6 is a top plan view thereof; and,
FIG. 7 is a bottom plan view thereof.
The broken lines in the drawings show portions of the chair,
which form no part of the claimed design.

1 Claim, 7 Drawing Sheets



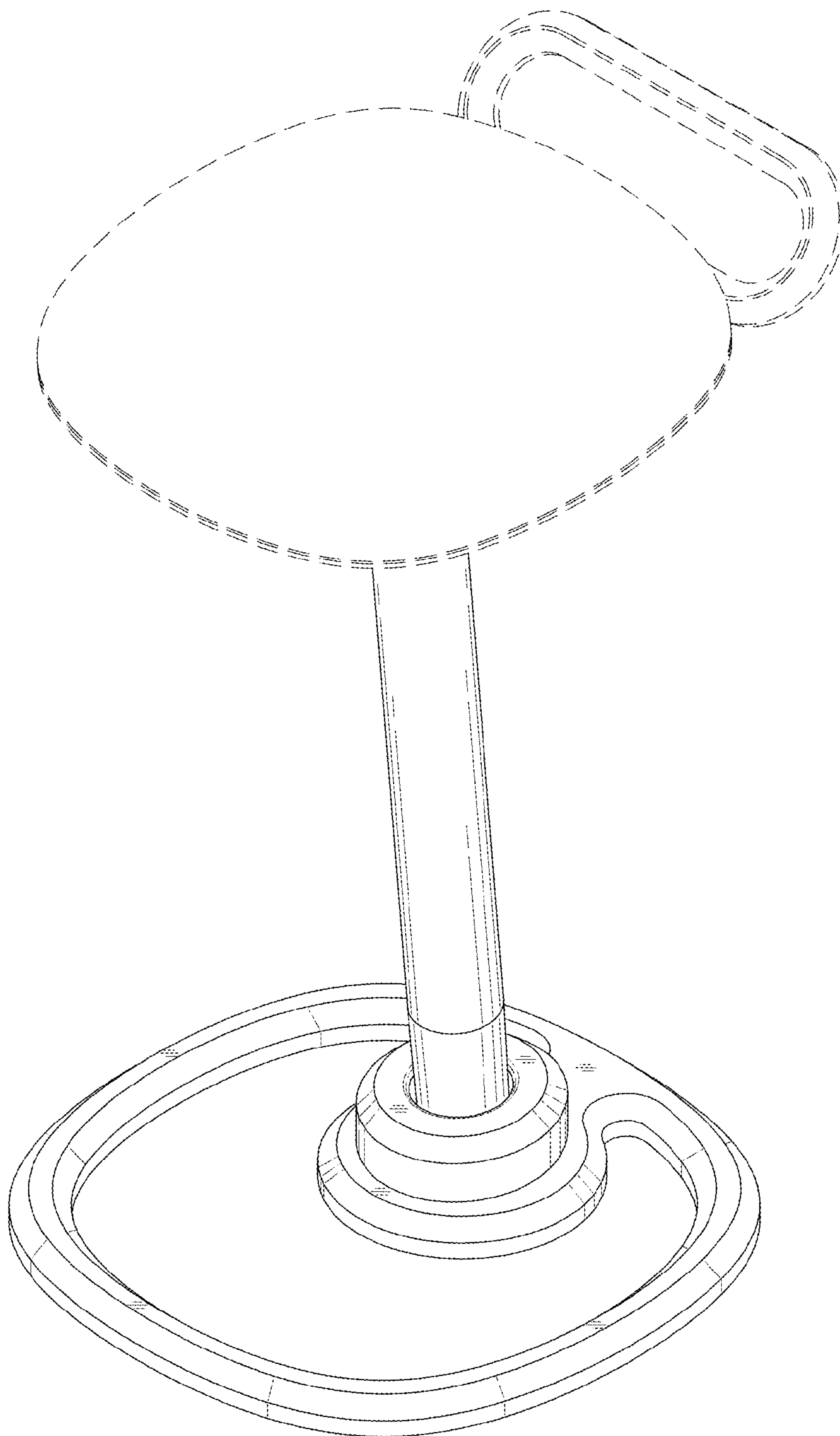


FIG. 1

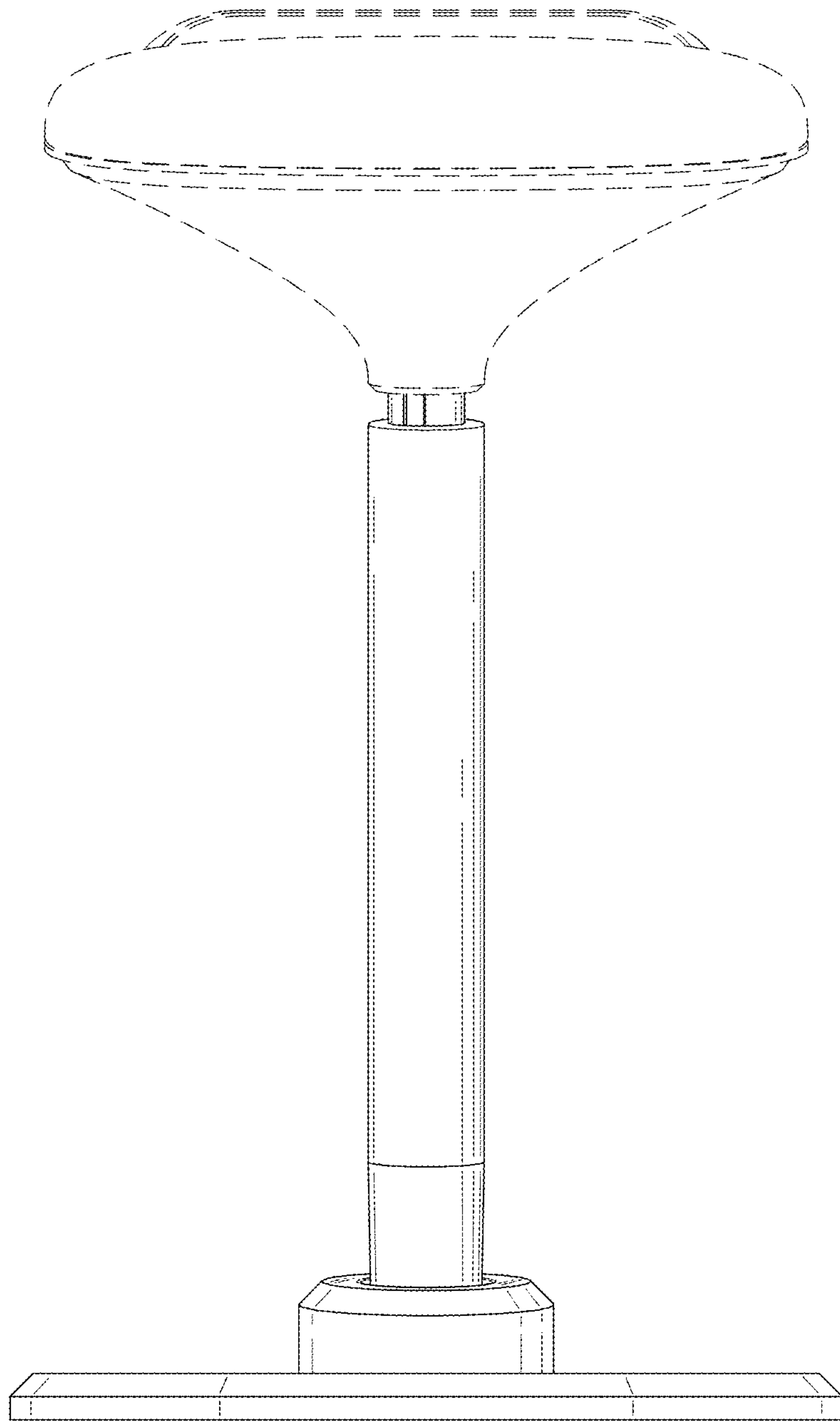


FIG. 2

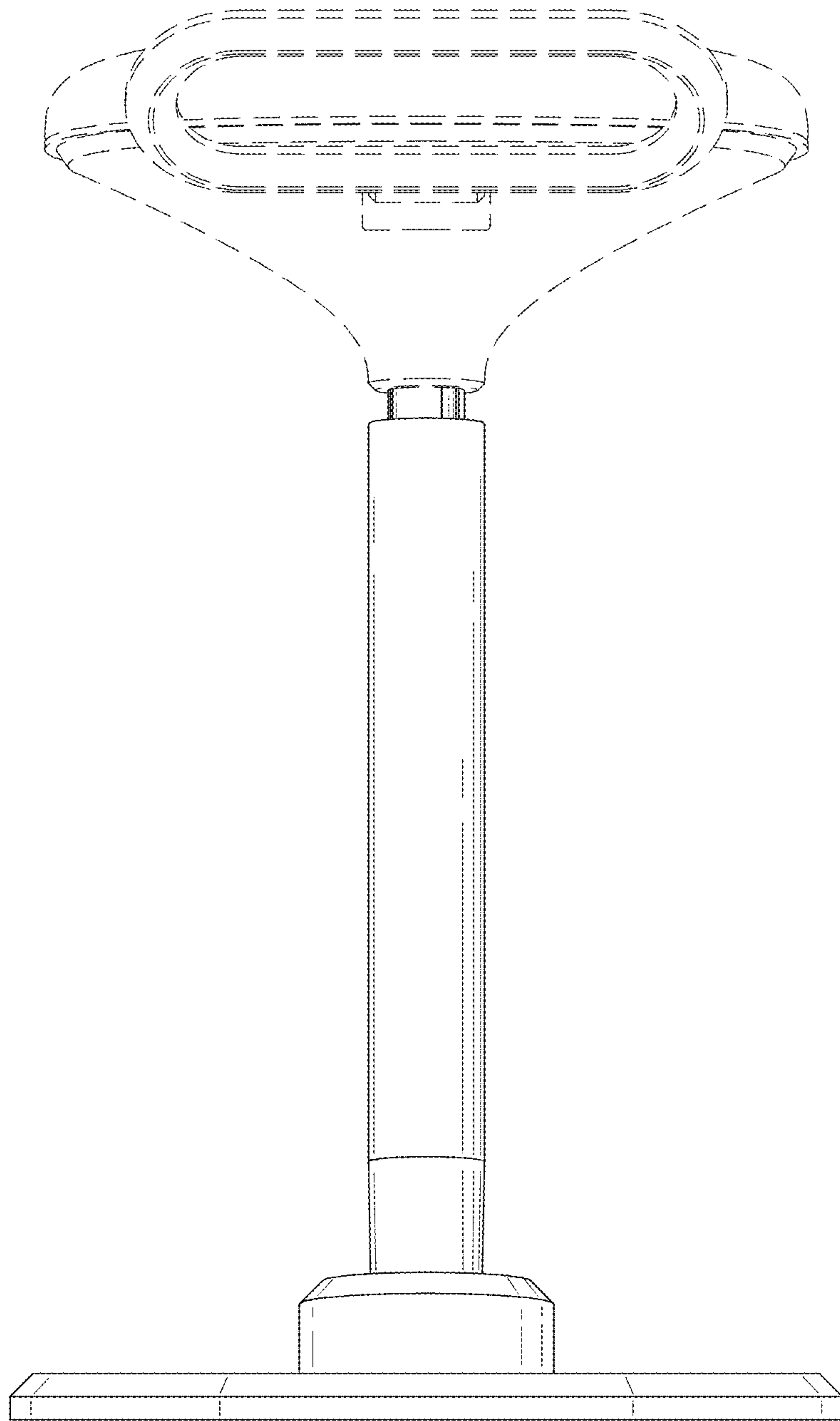


FIG. 3

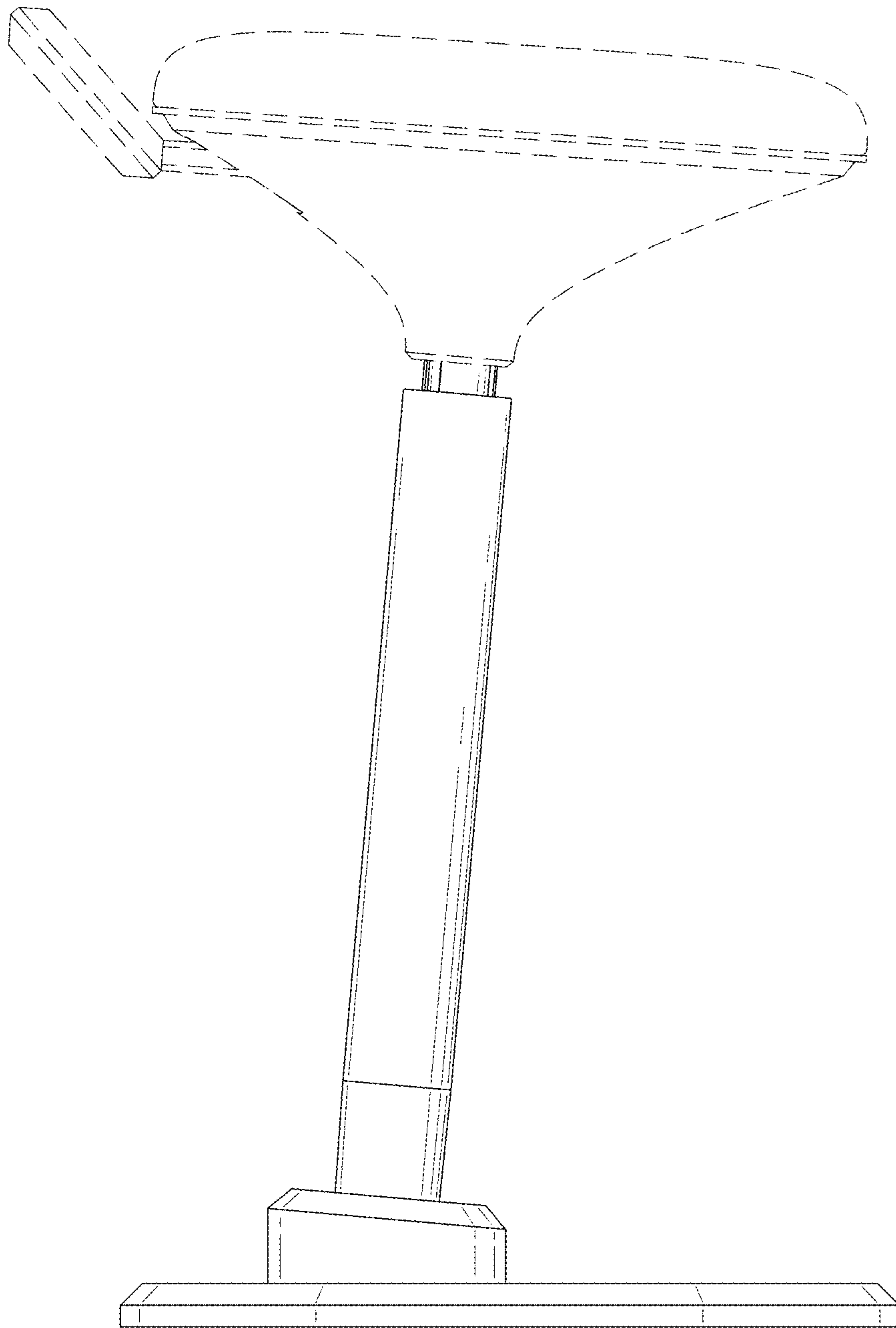


FIG. 4

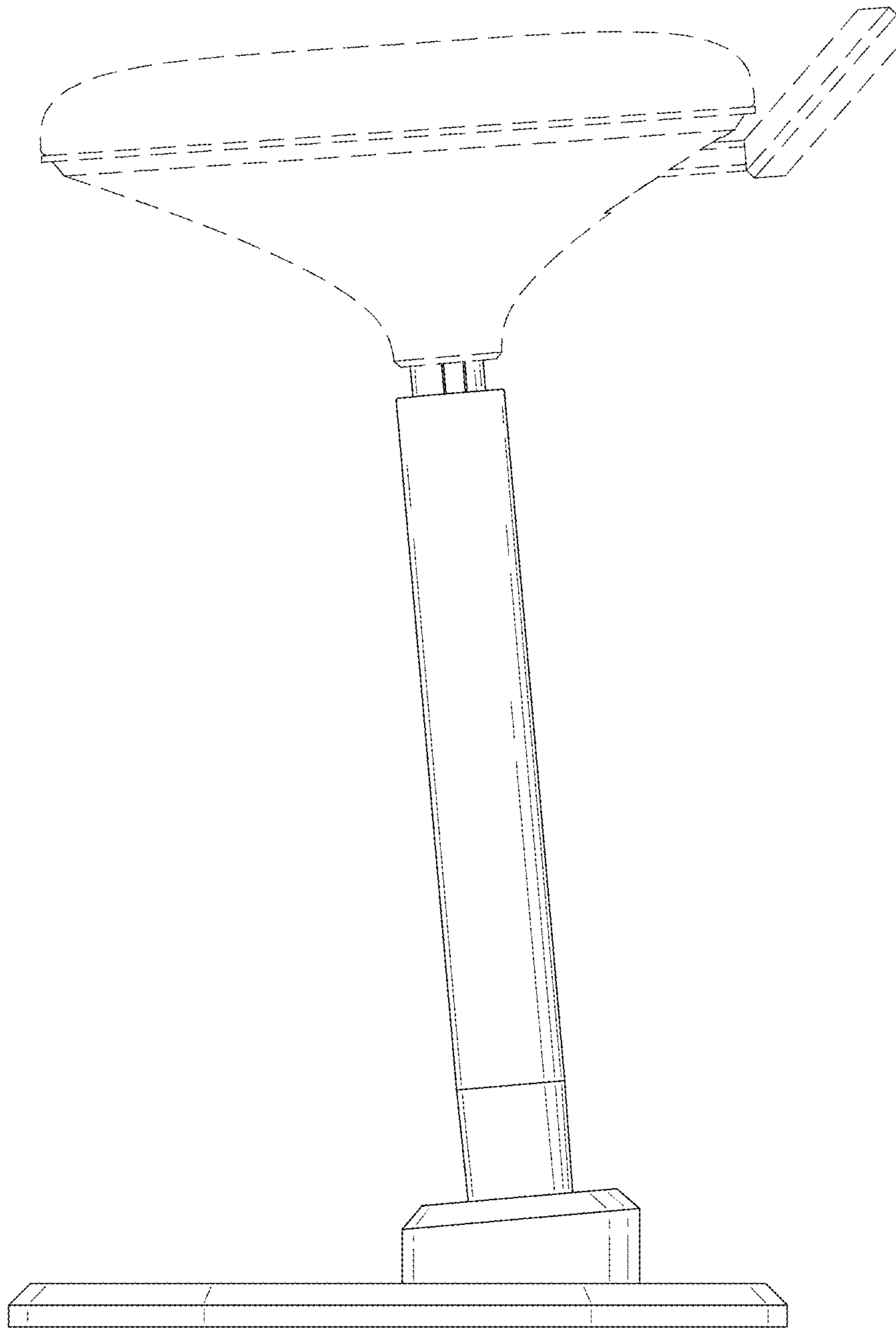


FIG. 5

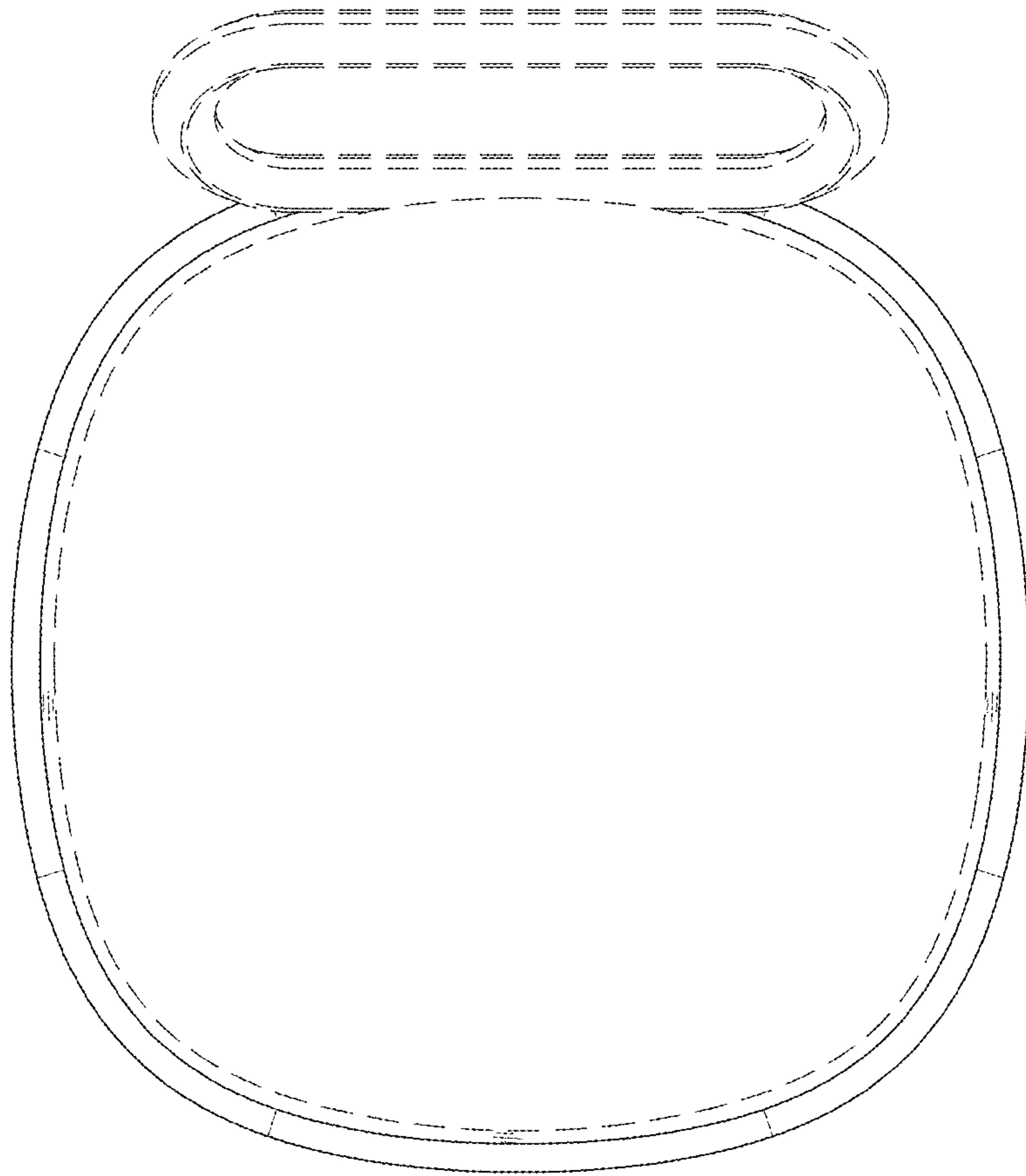


FIG. 6

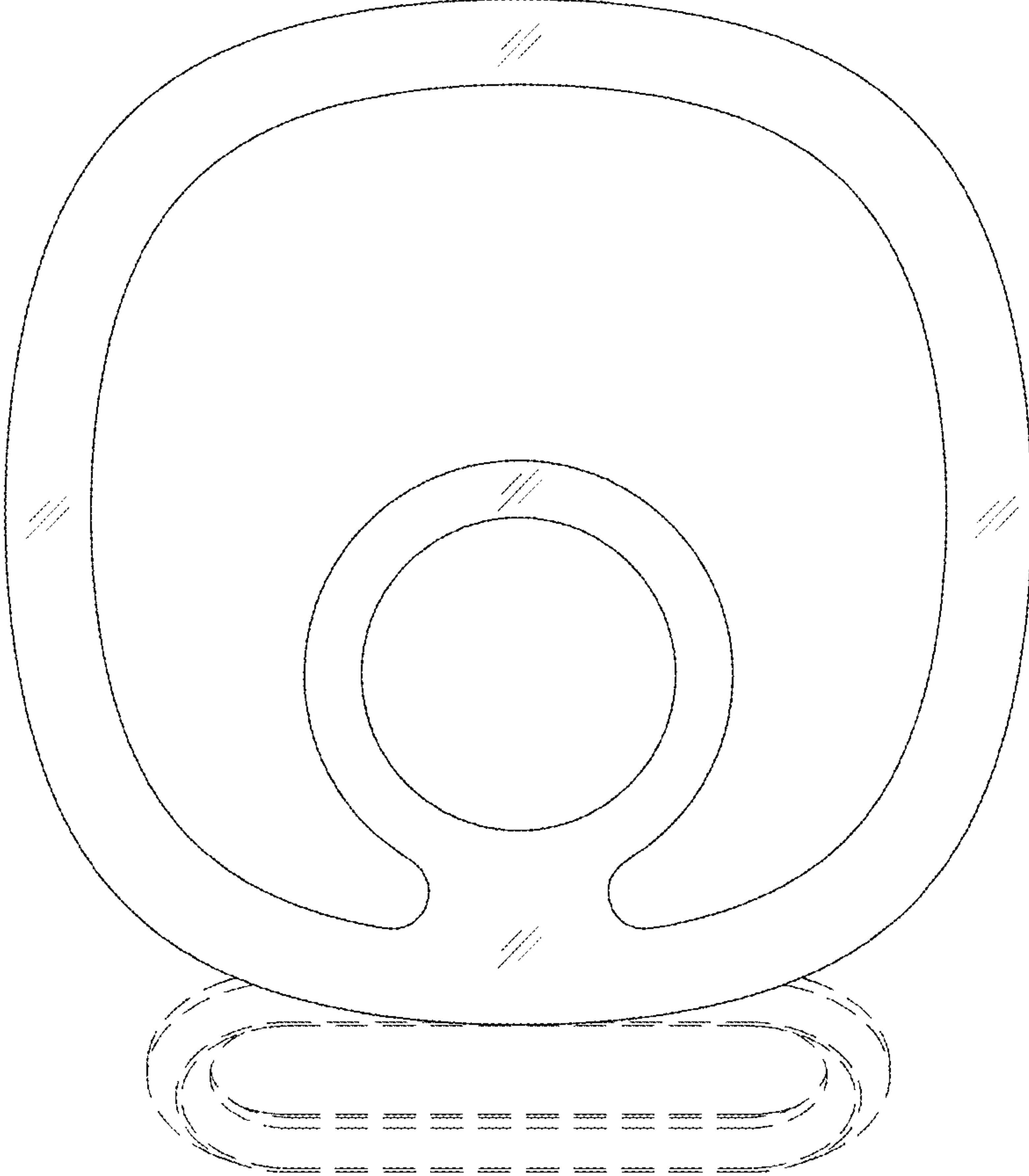


FIG. 7