



US00D952364S

(12) **United States Design Patent** (10) **Patent No.:** **US D952,364 S**
Ji (45) **Date of Patent:** **** May 24, 2022**

(54) **BIKE SADDLE**

(71) Applicant: **JIANGYIN ANQI AUTOMOBILE ACCESSORIES CO., LTD.**, Jiangyin (CN)

(72) Inventor: **Liuan Ji**, Shangqiu (CN)

(73) Assignee: **JIANGYIN ANQI AUTOMOBILE ACCESSORIES CO., LTD.**, Jiangyin (CN)

(**) Term: **15 Years**

(21) Appl. No.: **29/738,474**

(22) Filed: **Jun. 17, 2020**

(51) **LOC (13) Cl.** **06-01**

(52) **U.S. Cl.**
USPC **D6/354**

(58) **Field of Classification Search**
USPC D6/353, 354, 356-364; D21/694-695
CPC B62J 1/18; B62J 1/00; B62J 2/00
See application file for complete search history.

(56) **References Cited**

U.S. PATENT DOCUMENTS

D26,894 S *	4/1897	Craig	D6/354
D28,434 S *	3/1898	Hollenbeck	D6/354
D28,435 S *	3/1898	Wheeler	D6/354
6,007,148 A *	12/1999	Yu	B62J 1/02 297/211
D433,827 S *	11/2000	Kuipers	D6/354
D434,235 S *	11/2000	Kuipers	D6/354
6,257,662 B1 *	7/2001	Yates	B62J 1/10 297/202
6,322,139 B1 *	11/2001	Chuang	B62J 1/00 297/202
D453,881 S *	2/2002	Chuang	D6/354
D456,157 S *	4/2002	Yates	D6/354
D463,676 S *	10/2002	Minkow	D6/354
6,773,061 B1 *	8/2004	Shu	B62J 1/00 297/211

D720,548 S *	1/2015	Yu	D6/354
D778,079 S *	2/2017	Porter	D6/354
9,764,788 B1 *	9/2017	Sung	F16F 3/10
D930,375 S *	9/2021	Jiang	D6/354
2003/0042770 A1 *	3/2003	Yu	B62J 1/00 297/215.16
2008/0211272 A1 *	9/2008	Segato	B62J 1/00 297/195.1
2019/0291801 A1 *	9/2019	Sung	B62J 1/02
2019/0291802 A1 *	9/2019	Sung	B32B 27/065

OTHER PUBLICATIONS

Lachesis Bicycle Saddle, available in Amazon.com, date first available Nov. 5, 2019 [online], Retrieved on Feb. 18, 2022 from URL: <https://www.amazon.fr/Lachesis-Confortable-Mousse-%C3%A9lastique-rembourr%C3%A9e/dp/B07RPT7L76/> (Year: 2019).*

* cited by examiner

Primary Examiner — Vy N Koenig
Assistant Examiner — Michelle M Reeves

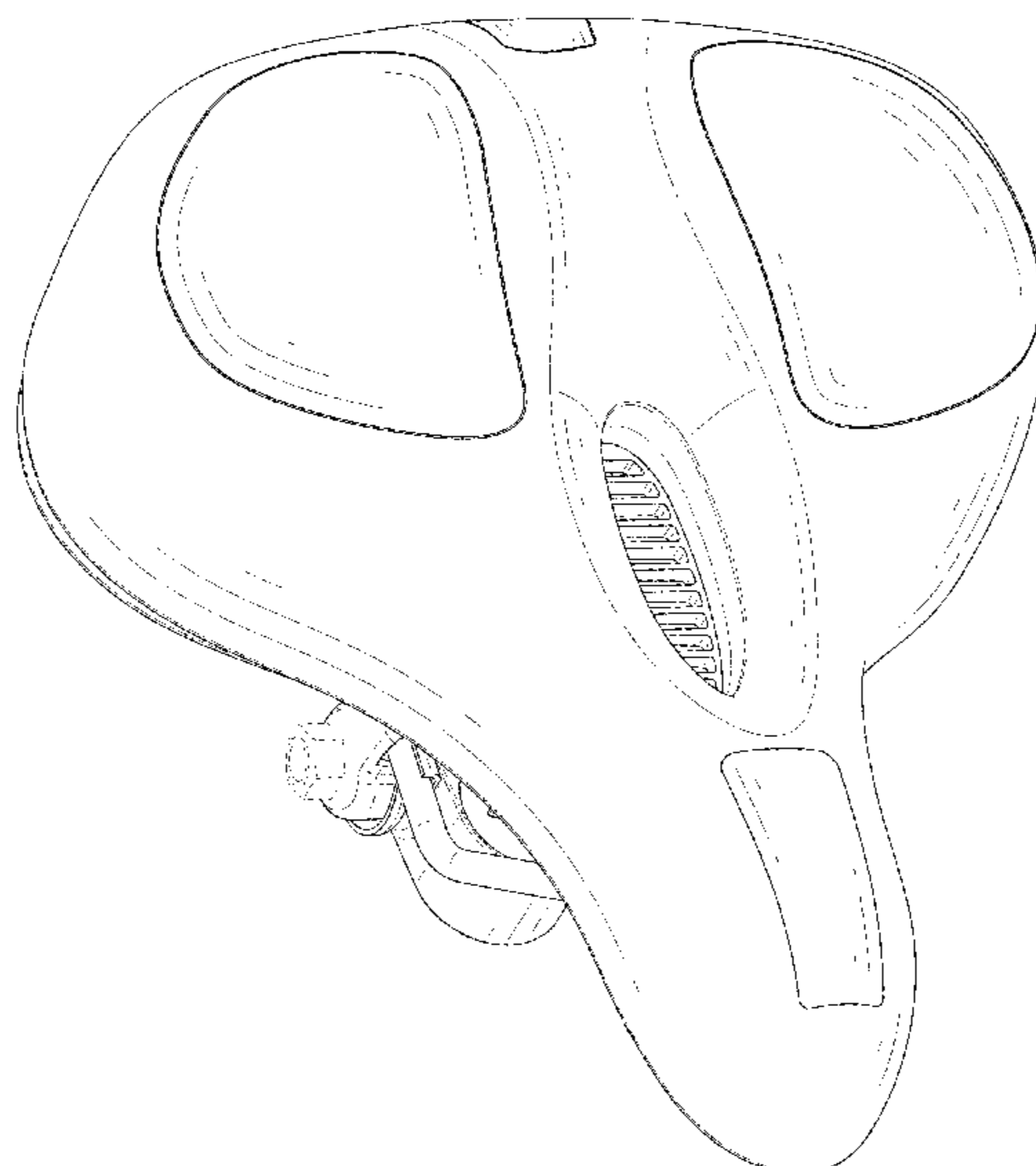
(57) **CLAIM**

The ornamental design for a bike saddle, as shown and described.

DESCRIPTION

FIG. 1 is a perspective view of a bike saddle showing my new design;
FIG. 2 is another perspective view thereof;
FIG. 3 is a front elevational view thereof;
FIG. 4 is a rear elevational view thereof;
FIG. 5 is a left side elevational view thereof;
FIG. 6 is a right side elevational view thereof;
FIG. 7 is a top plan view thereof; and,
FIG. 8 is a bottom plan view thereof.
The broken lines in the drawings depict portions of the bike saddle that form no part of the claimed design.

1 Claim, 8 Drawing Sheets



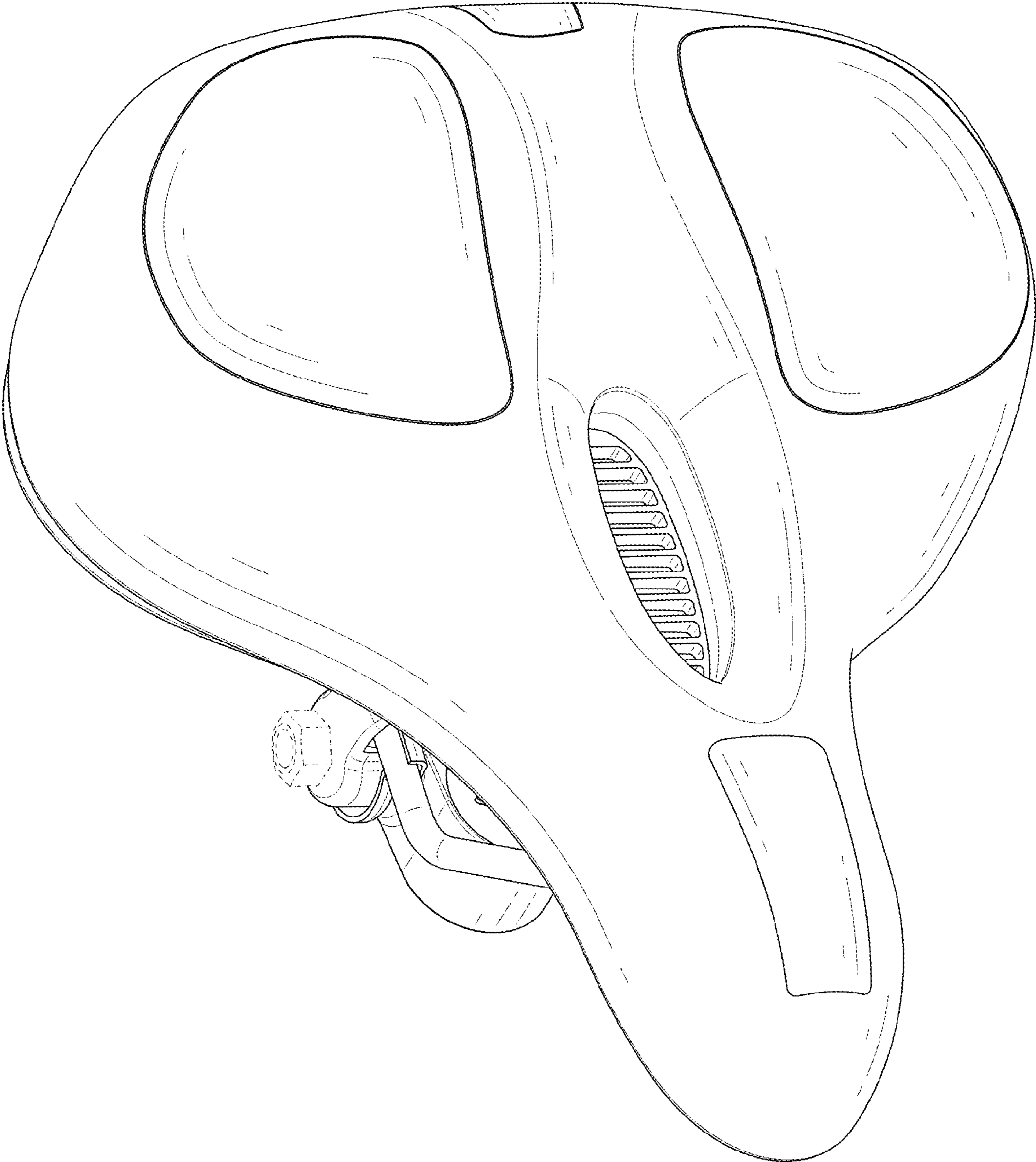


FIG. 1

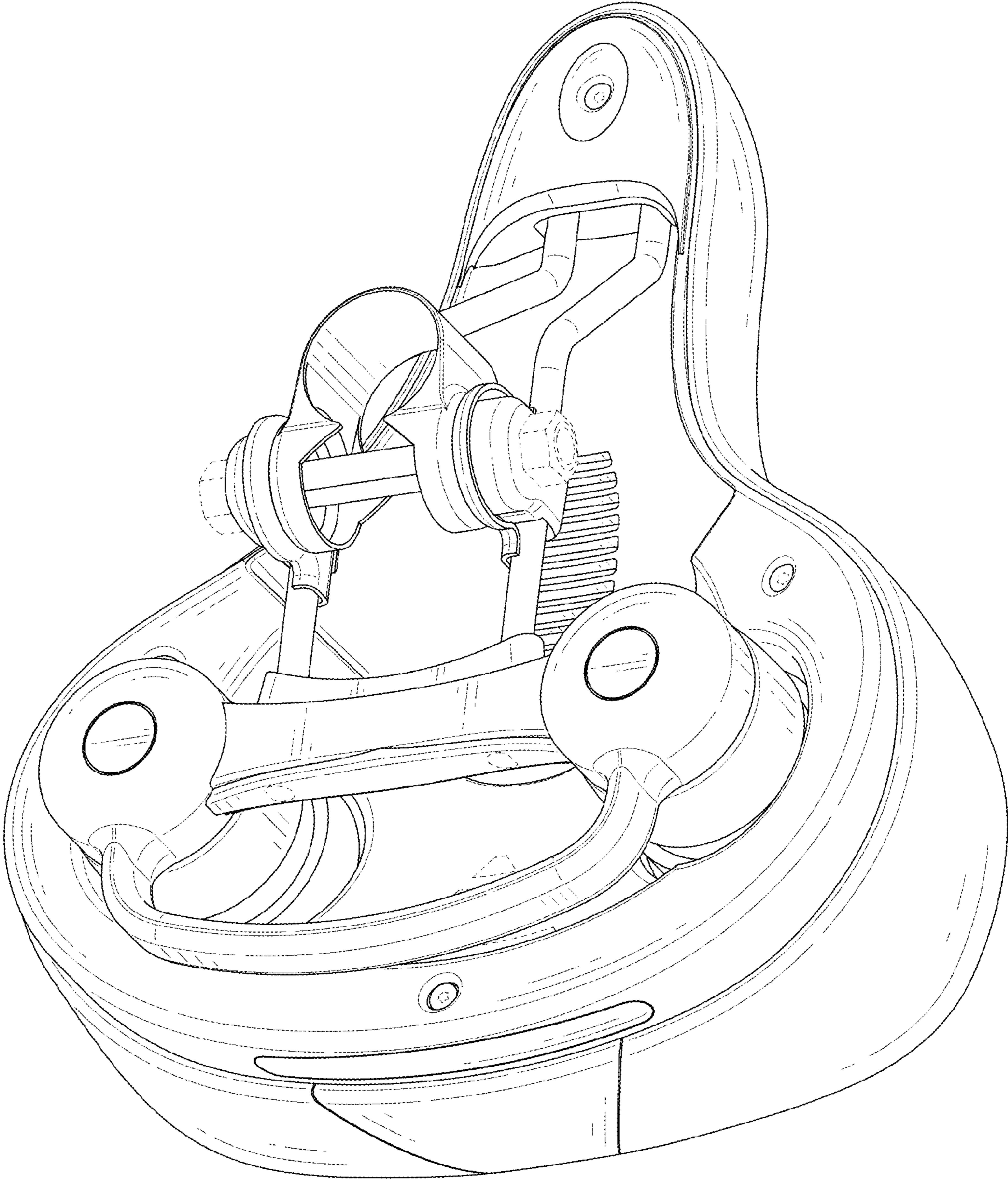


FIG. 2

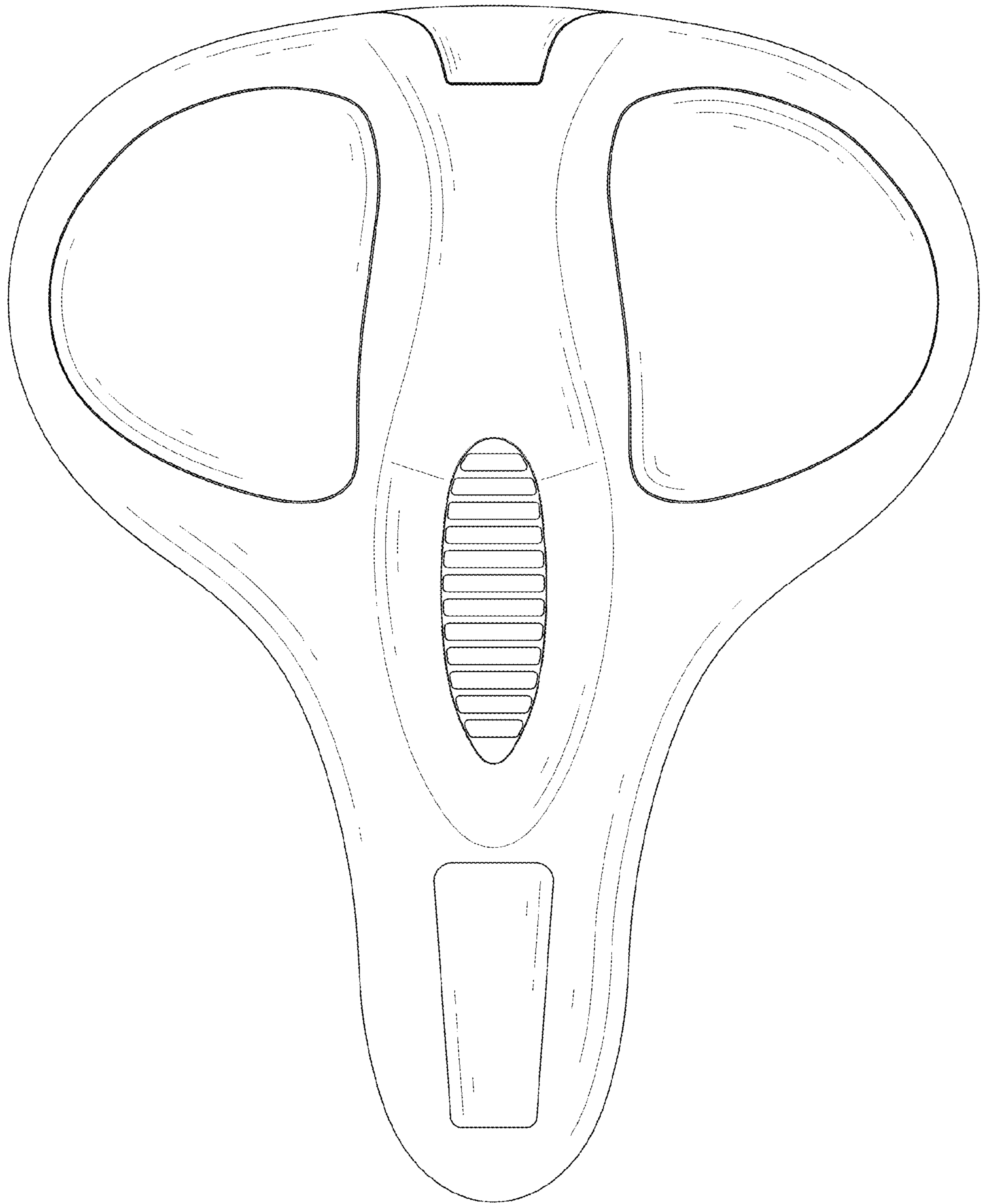


FIG. 3

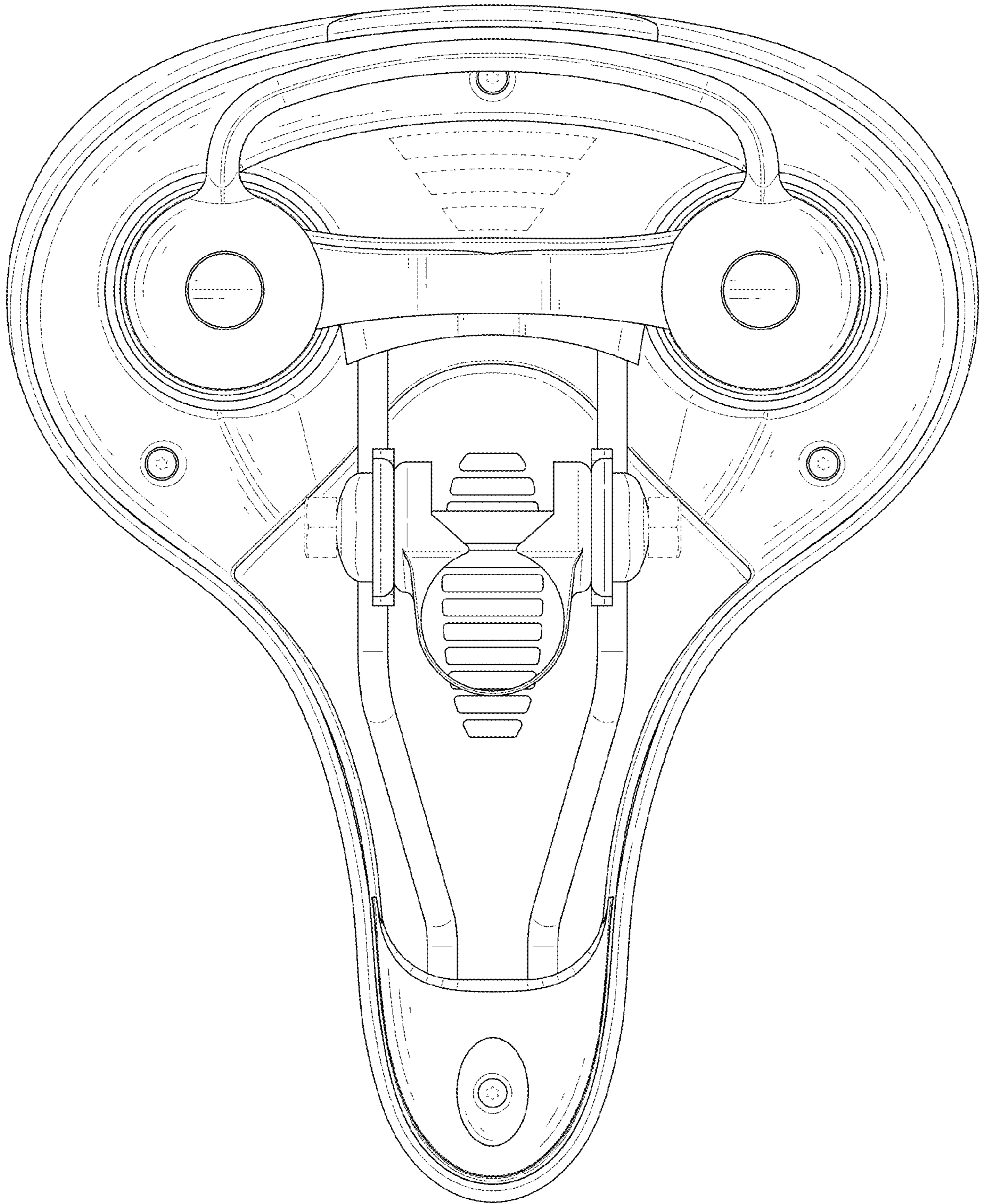


FIG. 4

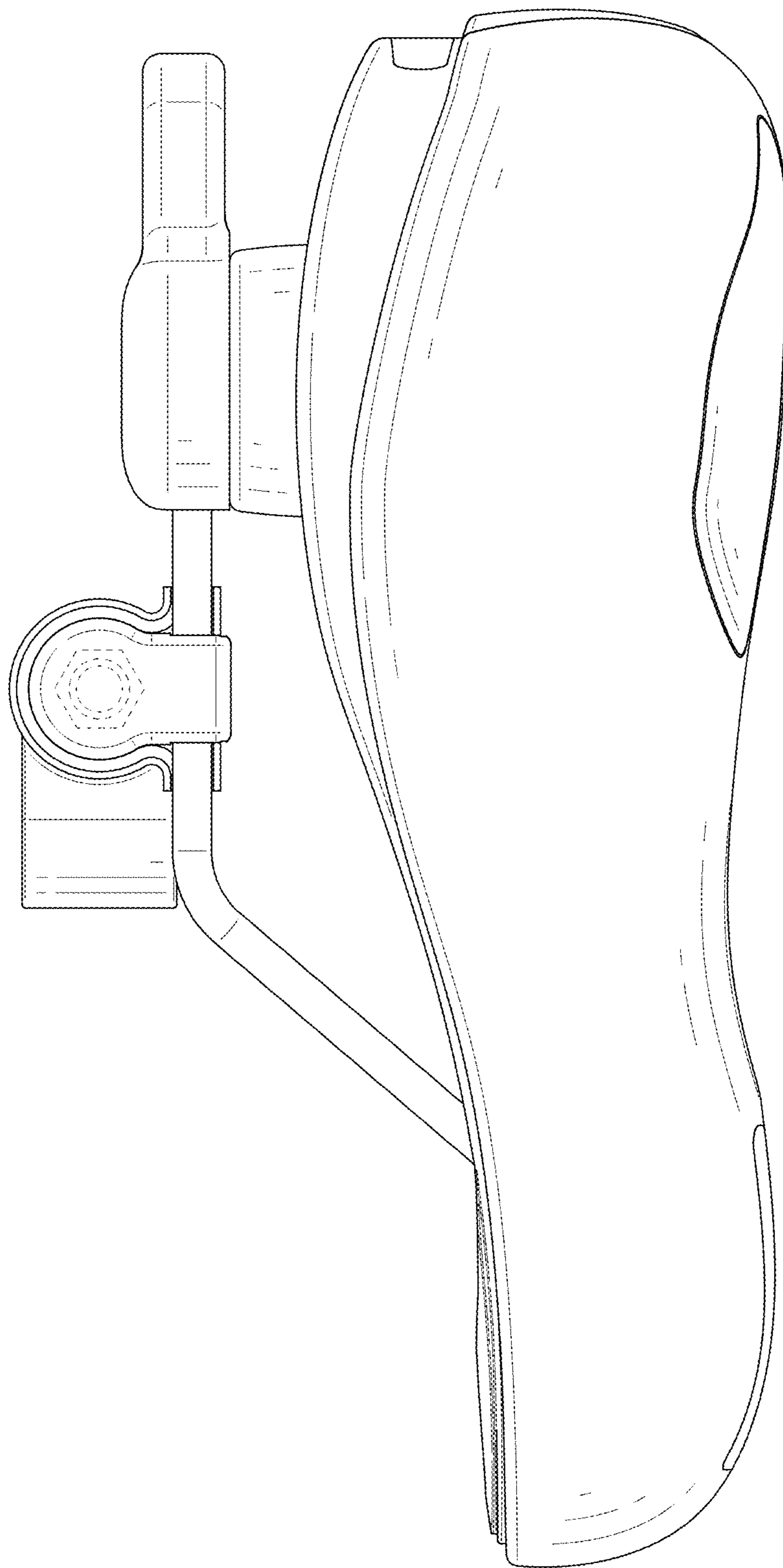


FIG. 5

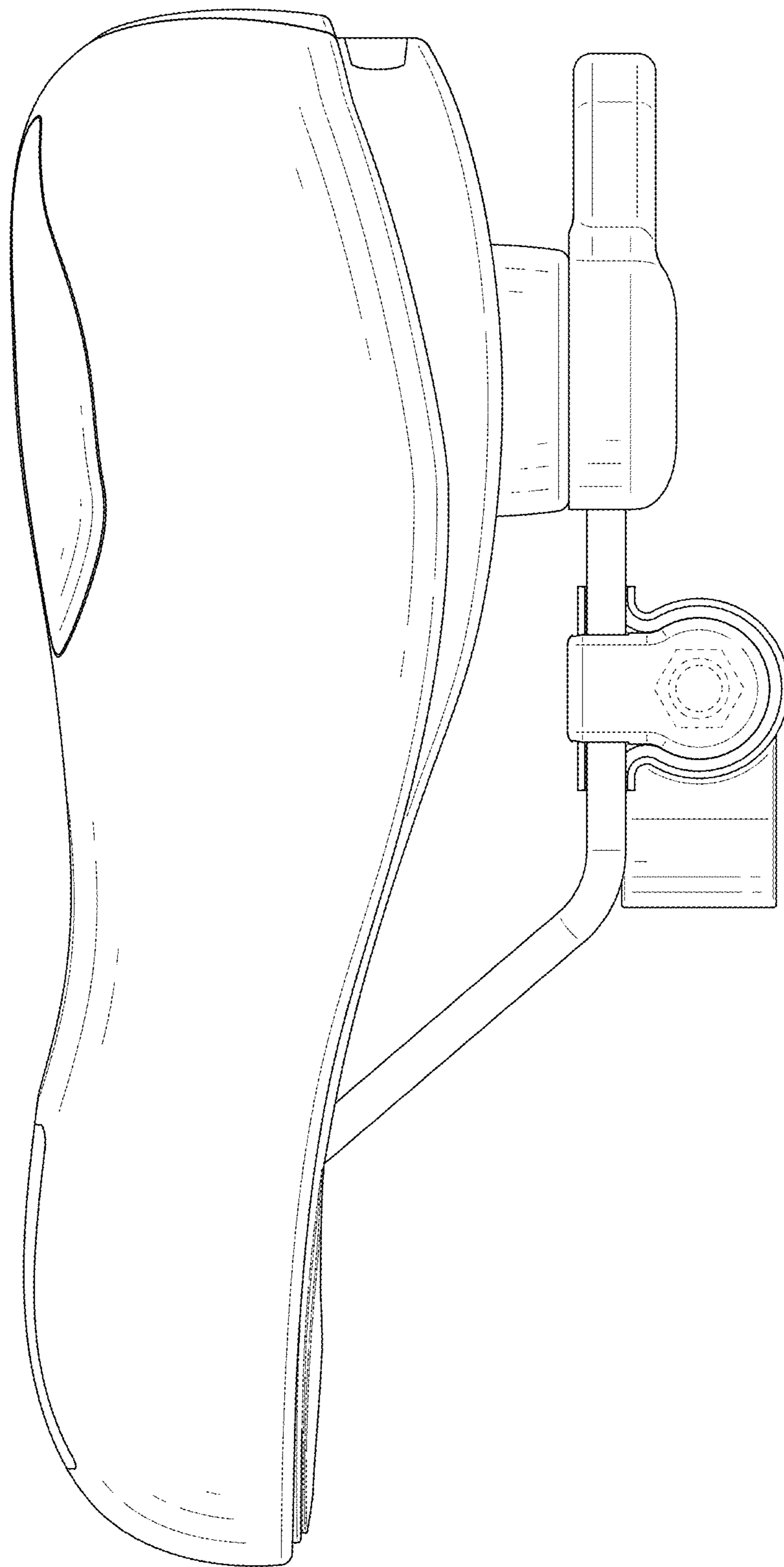


FIG. 6

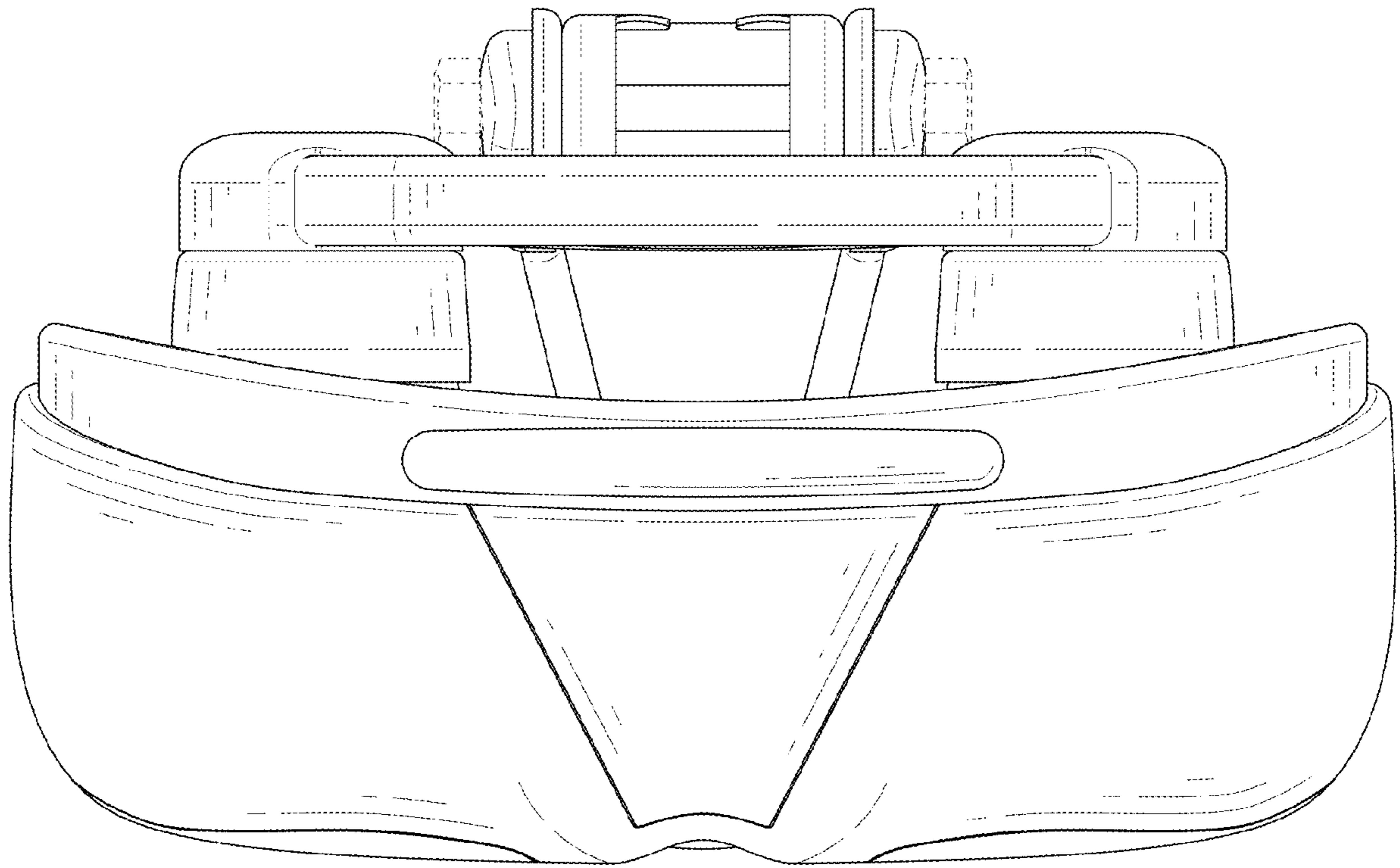


FIG. 7

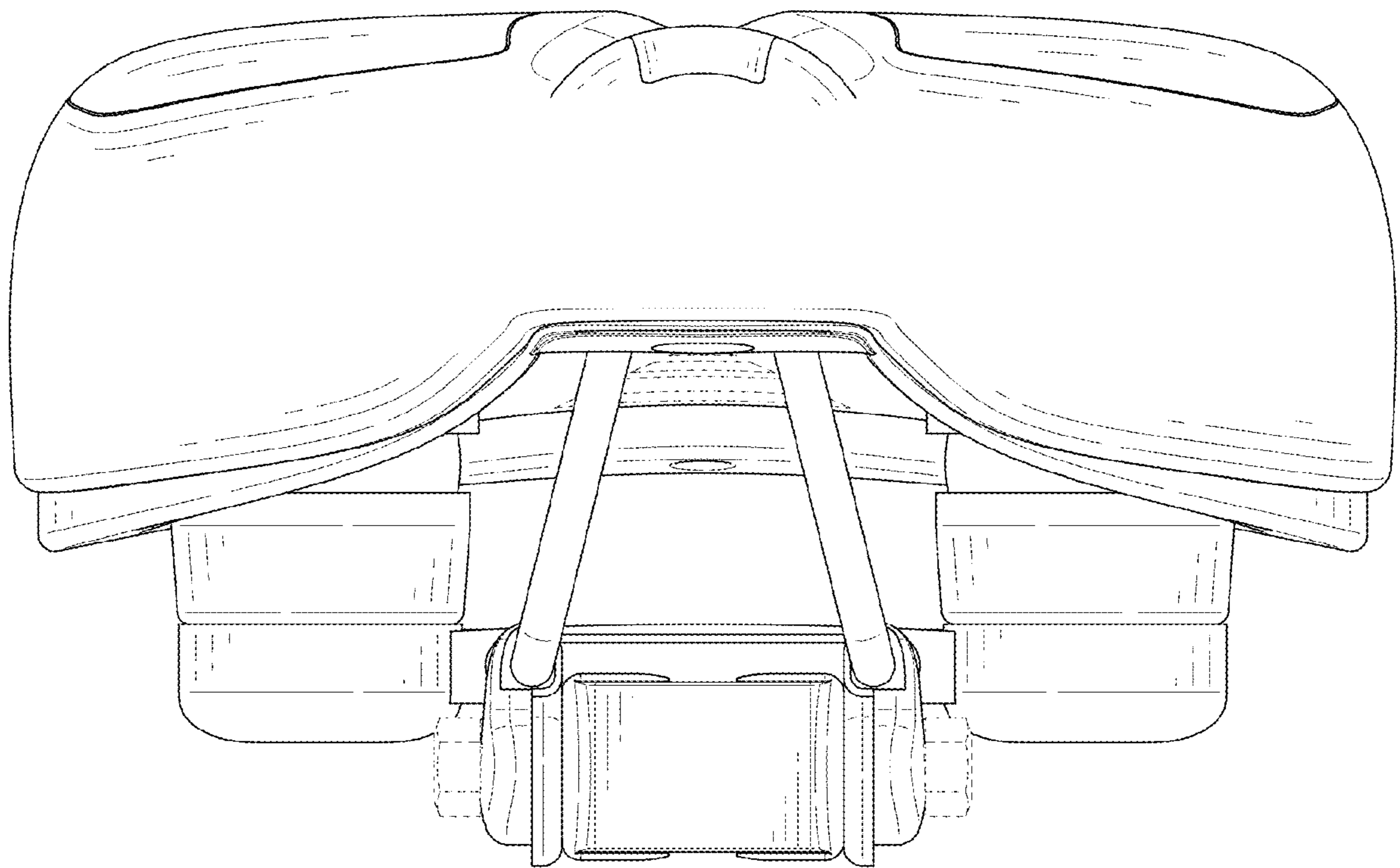


FIG. 8