



US00D952363S

(12) **United States Design Patent** (10) **Patent No.:** **US D952,363 S**
Wang (45) **Date of Patent:** **** May 24, 2022**

(54) **TOILET STOOL**

OTHER PUBLICATIONS

(71) Applicant: **SHENZHEN WENYU INDUSTRIAL CO., LTD.**, Shenzhen (CN)

DORPU Squatting Poop Stool, available in Amazon.co.uk, date first available Oct. 21, 2020 [online], Retrieved on Feb. 22, 2022 from URL: [https://www.amazon.co.uk/DORPU-Squatting-Toilet-Bamboo-Non-Slip/dp/B08KT3F9XJ/\(Year: 2020\).*](https://www.amazon.co.uk/DORPU-Squatting-Toilet-Bamboo-Non-Slip/dp/B08KT3F9XJ/(Year: 2020).*)

(72) Inventor: **Xuhui Wang**, Shenzhen (CN)

Squatty Potty Tao Bamboo Adjustable Bathroom Toilet Stool, available in Amazon.com, date first available Aug. 7, 2011 [online] Retrieved on Feb. 22, 2022 from URL: [https://www.amazon.com/Squatty-Potty-Original-Adjustable-Bathroom/dp/B00U37CQ16 \(Year: 2011\).*](https://www.amazon.com/Squatty-Potty-Original-Adjustable-Bathroom/dp/B00U37CQ16 (Year: 2011).*)

(73) Assignee: **SHENZHEN WENYU INDUSTRIAL CO., LTD.**, Shenzhen (CN)

(**) Term: **15 Years**

* cited by examiner

(21) Appl. No.: **29/766,745**

(22) Filed: **Jan. 18, 2021**

Primary Examiner — Vy N Koenig

Assistant Examiner — Michelle M Reeves

(51) **LOC (13) Cl.** **06-01**

(52) **U.S. Cl.**
USPC **D6/349**

(57) **CLAIM**

(58) **Field of Classification Search**
USPC D6/349, 353, 350, 363, 707.22
CPC A47K 17/00; A47K 17/02
See application file for complete search history.

The ornamental design for a toilet stool, as shown and described.

DESCRIPTION

(56) **References Cited**

U.S. PATENT DOCUMENTS

2,023,901	A *	12/1935	Rhodes	A47K 17/028
					4/254
D376,923	S *	12/1996	Jones	D6/349
D403,186	S *	12/1998	Kopish	D6/707.22
D652,222	S *	1/2012	Edwards	D6/349
D797,466	S *	9/2017	Zioni	D6/353
D813,560	S *	3/2018	Zioni	D6/353
D842,618	S *	3/2019	Nethercott	D6/353
D846,293	S *	4/2019	Love	D6/349
D847,521	S *	5/2019	Lisnic	D6/353
D938,744	S *	12/2021	Liu	D6/349
2018/0049610	A1 *	2/2018	Rane	A47K 17/028

FIG. 1 is a perspective view of a toilet stool showing my new design;

FIG. 2 is another perspective view thereof;

FIG. 3 is a front elevational view thereof;

FIG. 4 is a rear elevational view thereof;

FIG. 5 is a left side elevational view thereof;

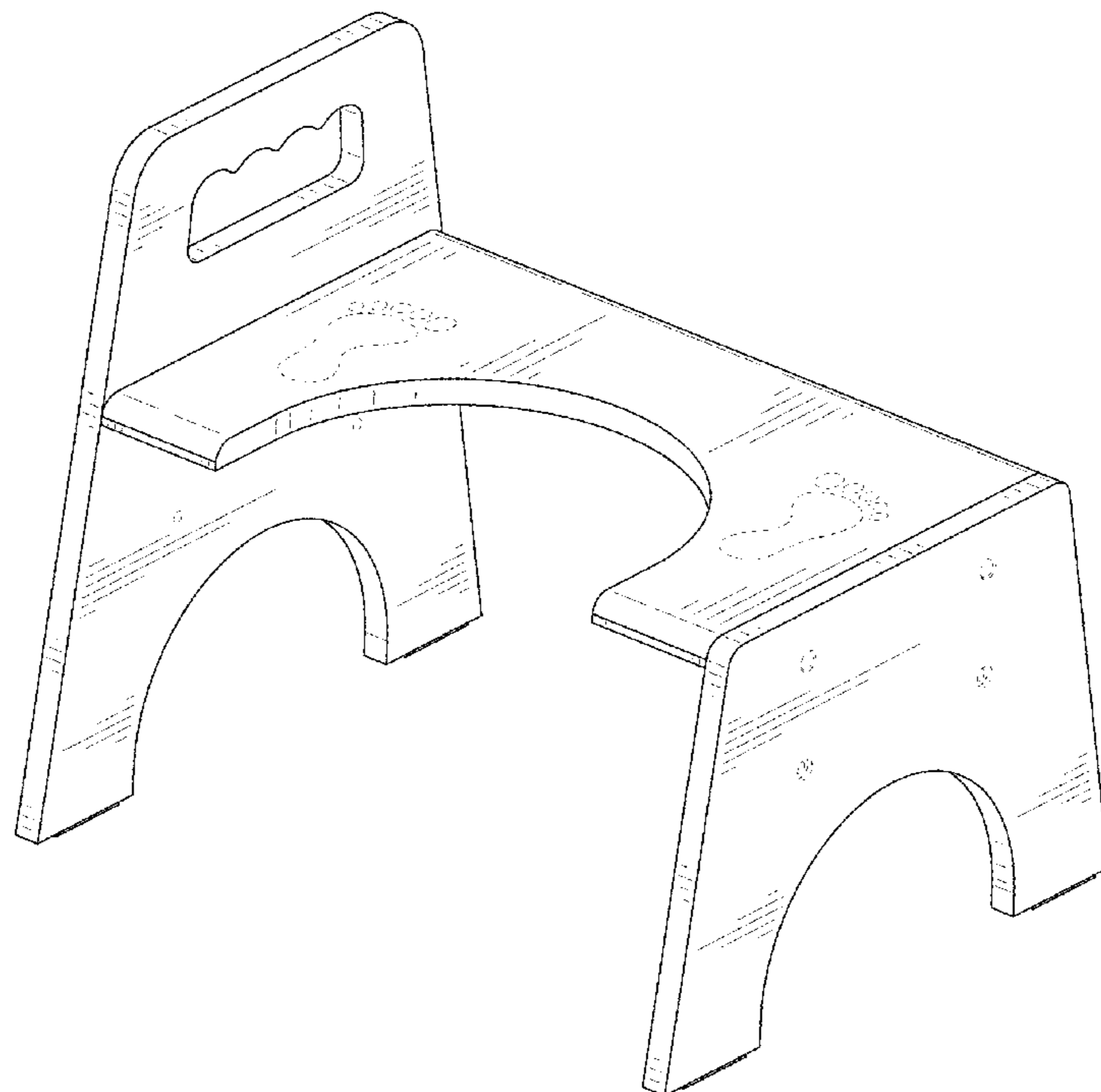
FIG. 6 is a right side elevational view thereof;

FIG. 7 is a top plan view thereof; and,

FIG. 8 is a bottom plan view thereof.

The broken lines in the drawings depict portions of the toilet stool that form no part of the claimed design.

1 Claim, 8 Drawing Sheets



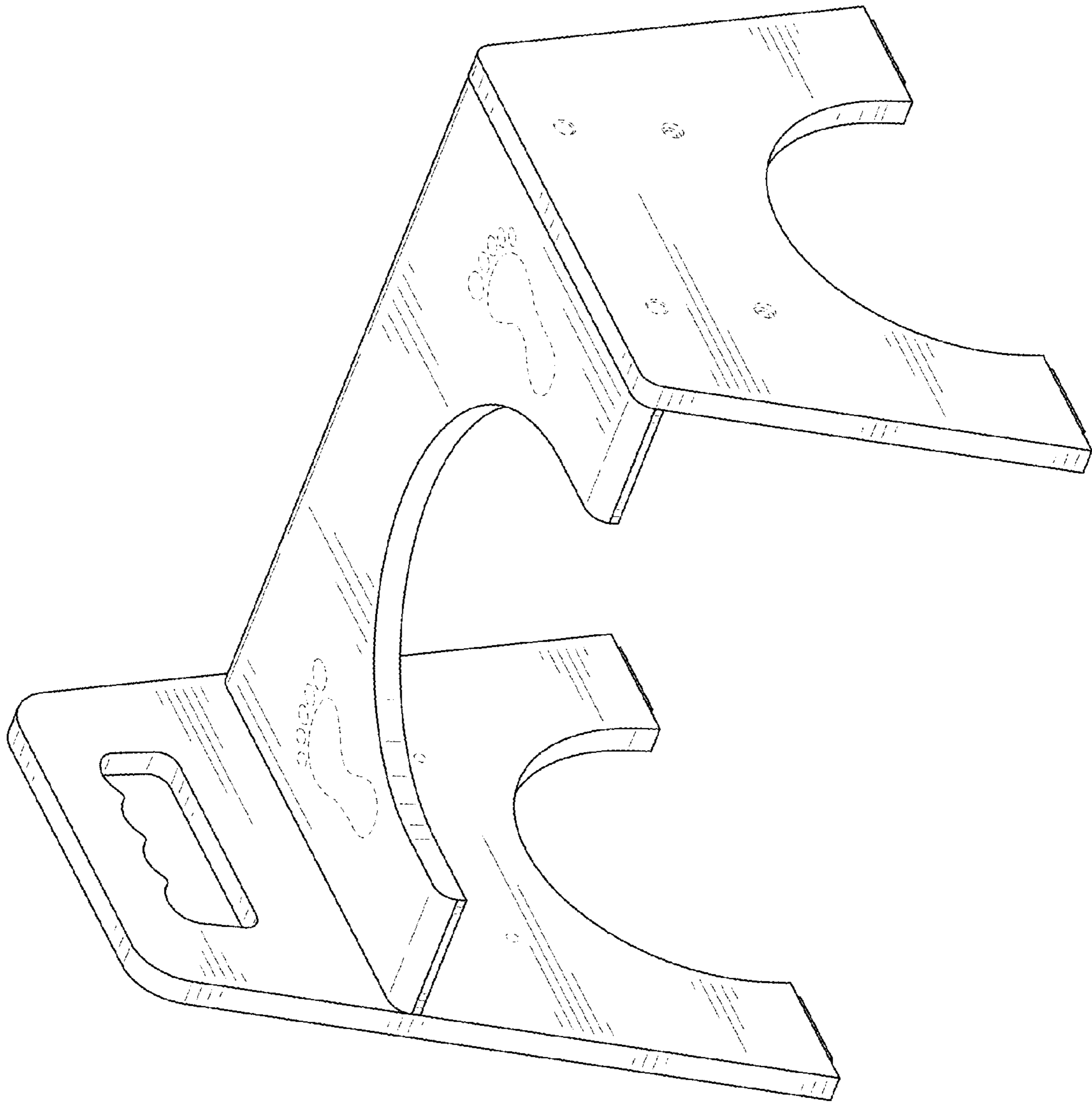


FIG. 1

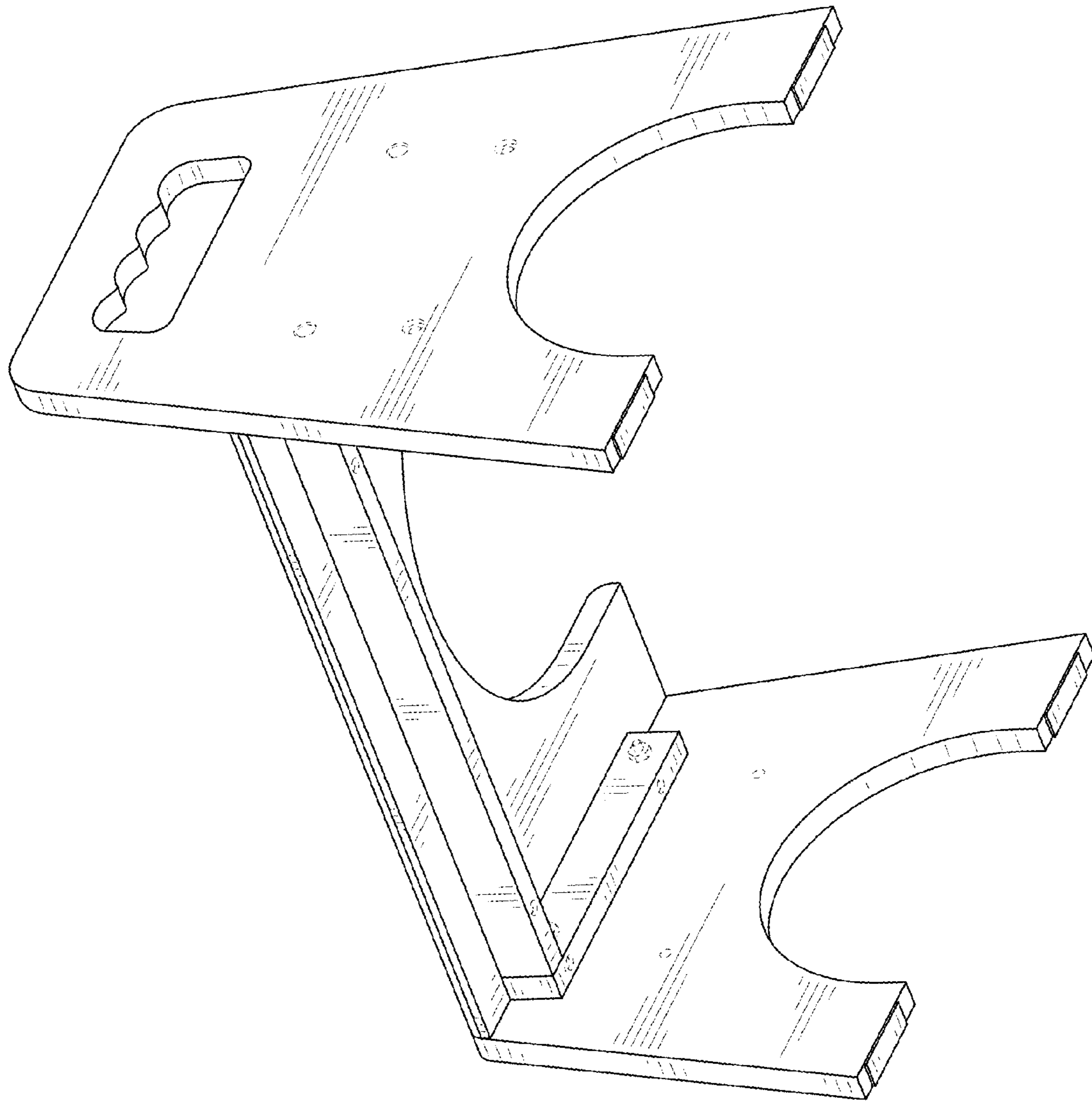


FIG. 2

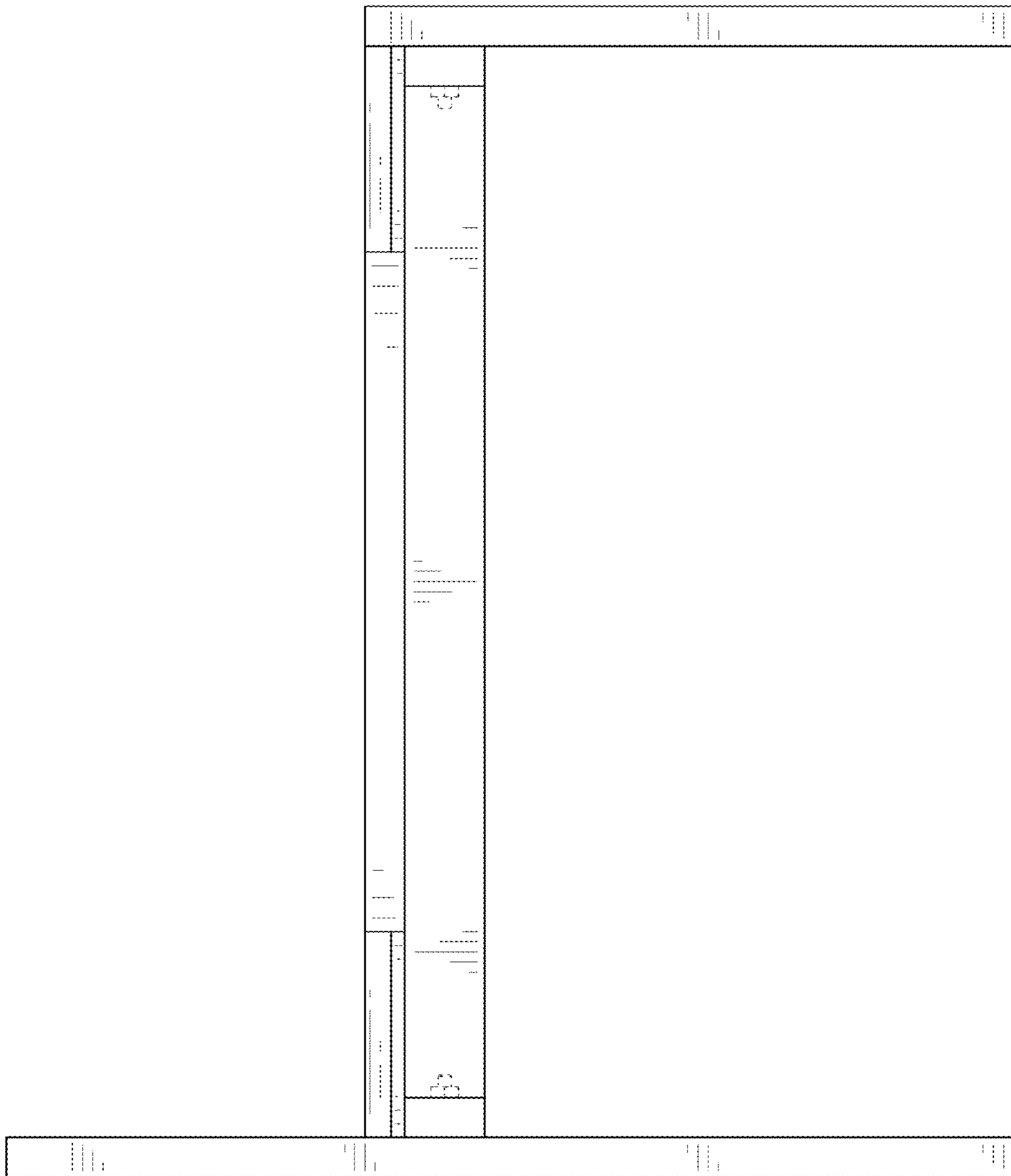


FIG. 3

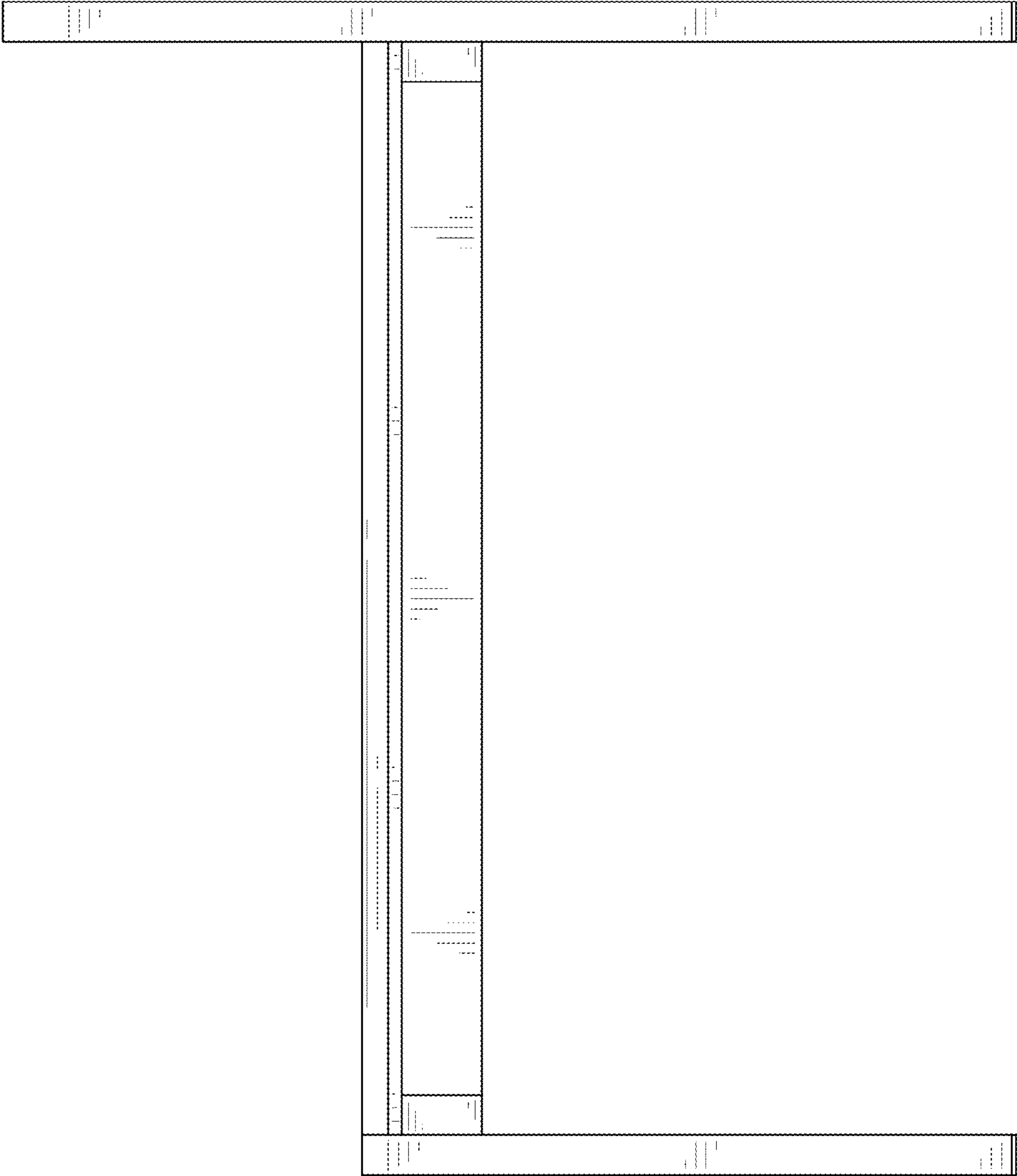


FIG. 4

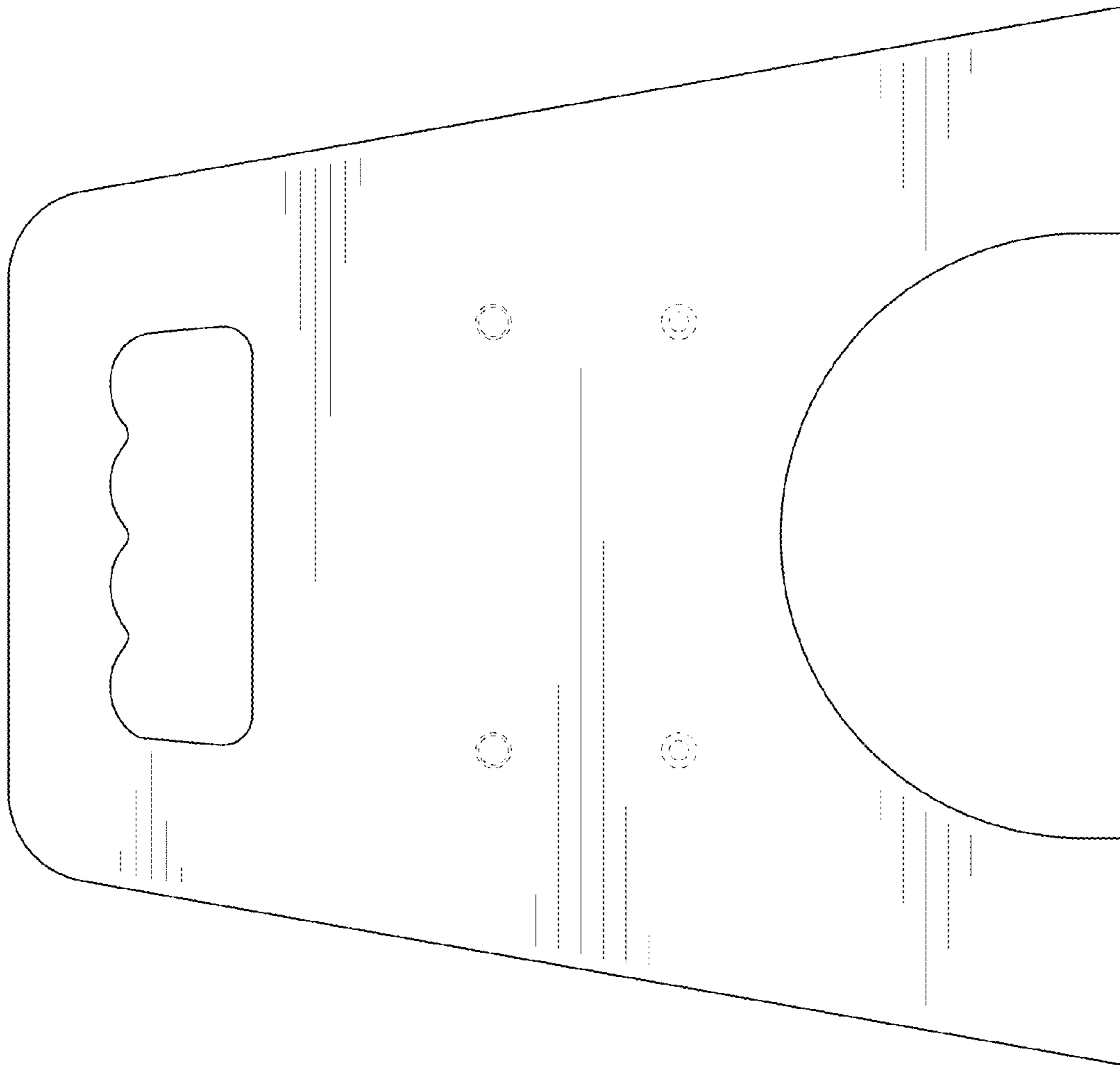


FIG. 5

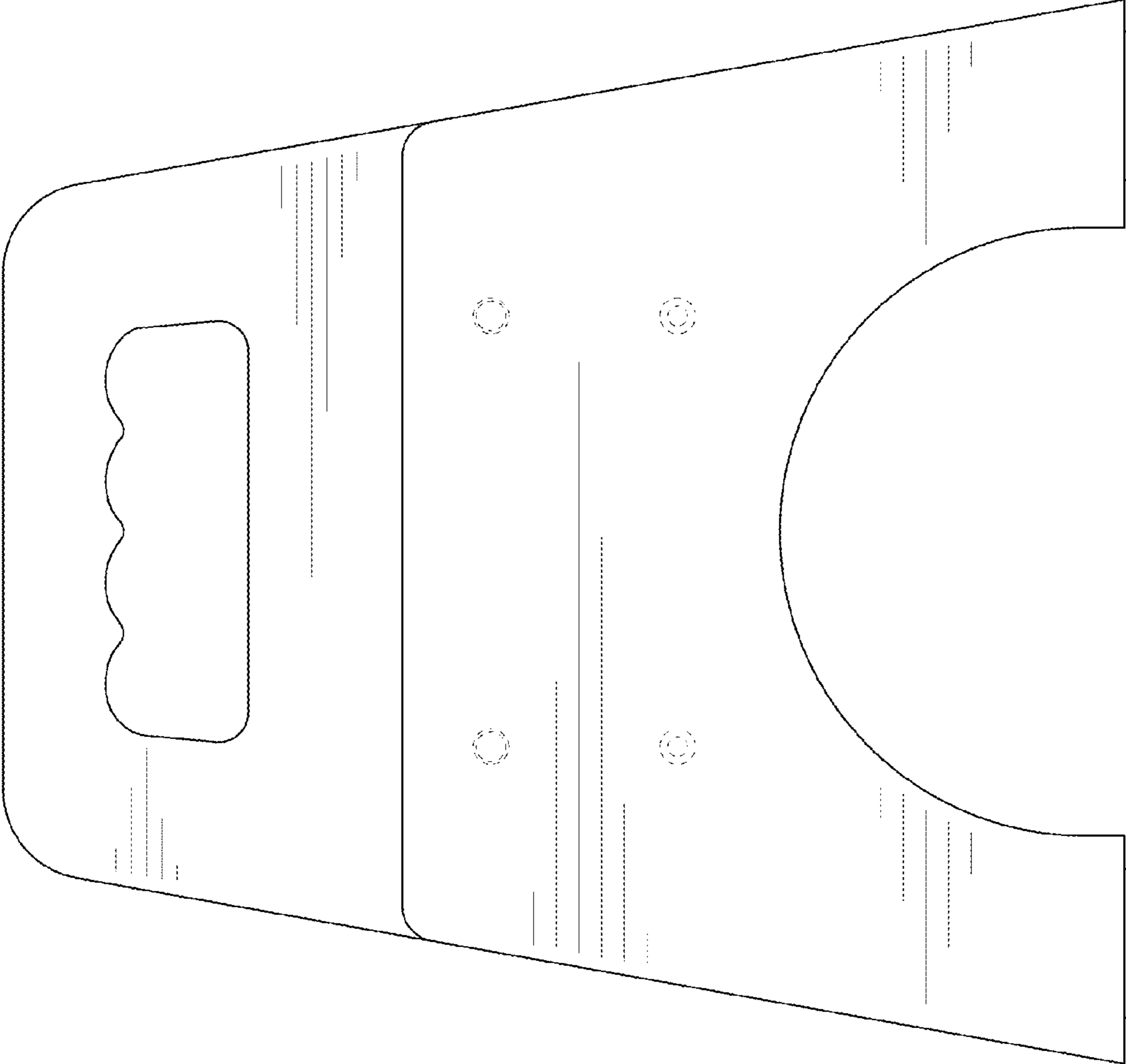


FIG. 6

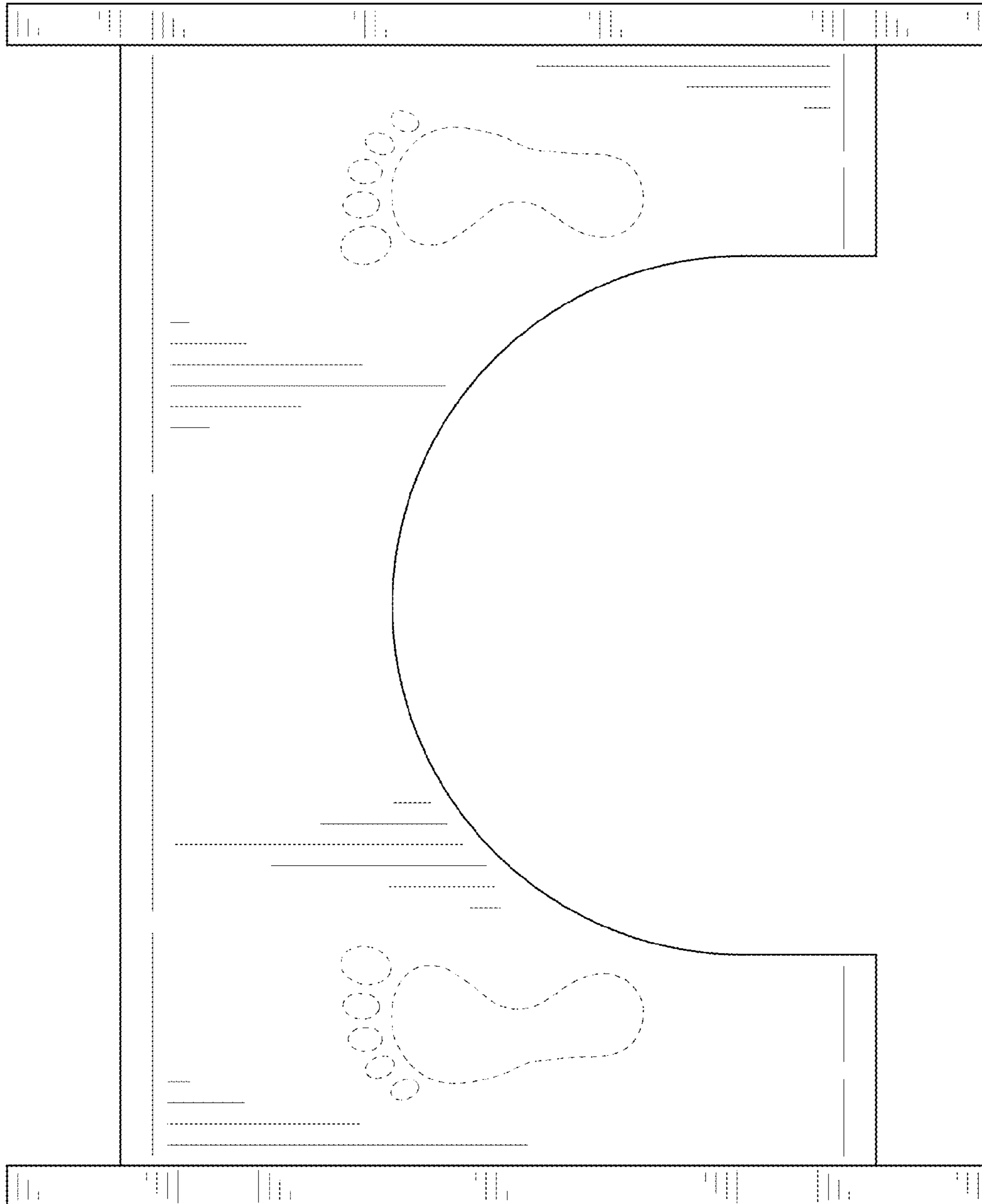


FIG. 7

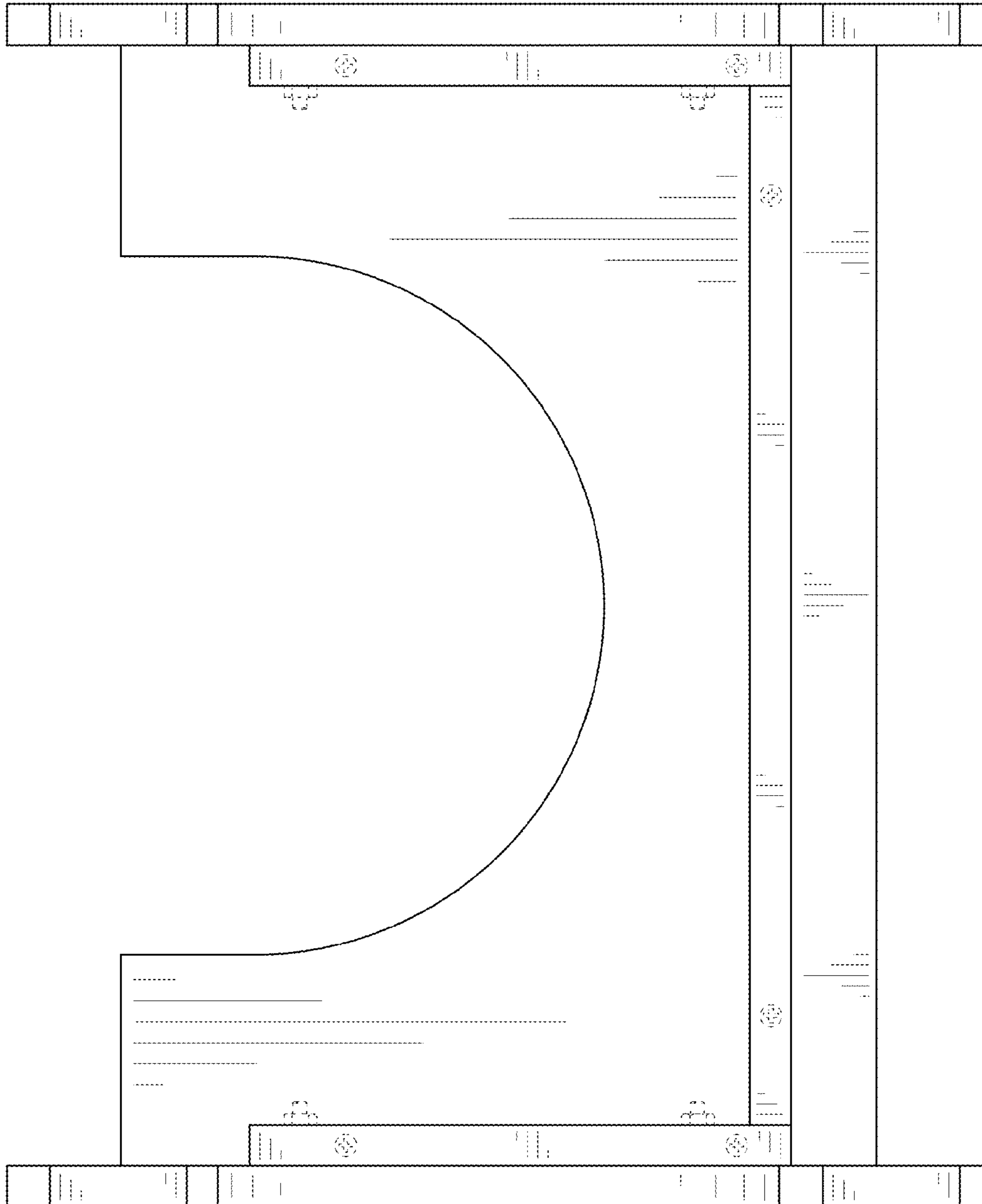


FIG. 8